

FRONT
OF
COACH

- NOTES:
- 7. SECURE VENT TUBES WITH BRACKET 136878-01-CHT (4), CLAMP 62401-02-000 (4), SCREW G67-10-12B (4)
 - 6. VENT PIPE MUST PROECT 51 MIN AND 64 MAX ABOVE ROOF FOR PROPER FIT AND FUNCTION.
 - 5. SEAL AROUND SHOWER WITH SILICONE.
 - 4. ALL EXTERIOR OPENINGS AROUND PIPE TO BE SEALED WITH 100744-01-000.
 - 3. ALL PIPE AND FITTINGS TO BE ASSEMBLED WITH SOLVENT 4020-01-000.
 - 2. SLOPE OF TRAP ARM MUST BE 6 PER 305 mm.
 - 1. SLOPE OF HORIZONTAL PIPING TO BE 6 PER 305 mm.

(B) CODES/STANDARDS USA
(265) CODES/STANDARDS-CSA, CMVSS

WINNEBAGO		COPYRIGHT 2003 WINNEBAGO INDUSTRIES, INC.	
DFT	ORIG. DATE	ALL DIMENSIONS ARE IN MILLIMETERS	
CHKR		FIRST USED	
P.E.		03 F36M	
M.E.		UNSPECIFIED TOLERANCES ARE:	
DSNR		MATERIAL:	
		WHOLE DIM (X)	: 3
		ONE-PLACE (X.X)	:
		TWO-PLACE (X.XX)	:
		ANGLE	:
THIRD ANGLE PROJECTION		DO NOT SCALE DRAWING	
TITLE: DRAINAGE SYSTEM INSTL			
SHEET 1 OF 3		PART NO 142188	

FOR
DRAINAGE
CALLOUTS
SEE DWG NO
116229-01-000

SINK-LAVATORY
142285-01-CHT
SCREW
G67-08-10U (3)

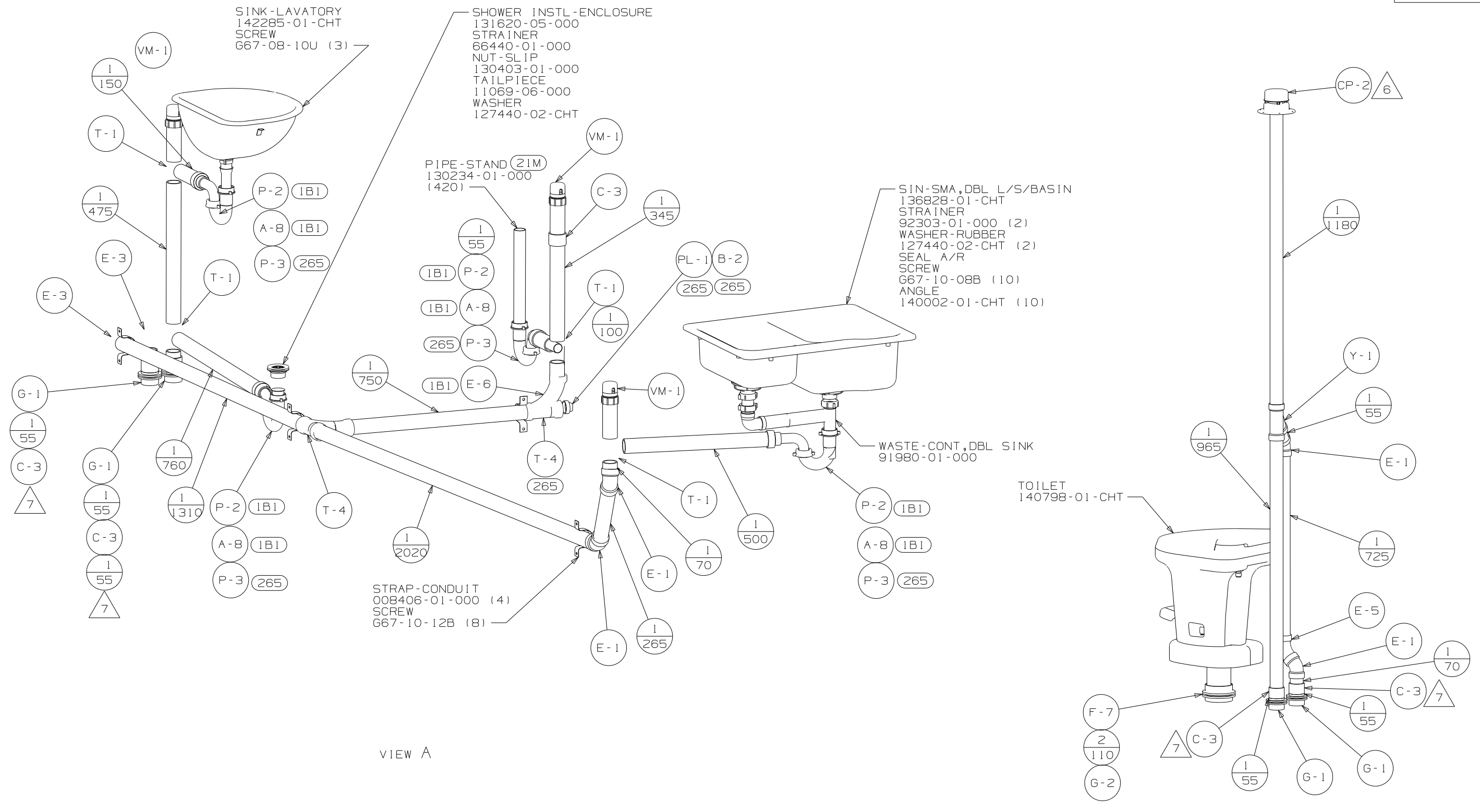
SHOWER INSTL-ENCLOSURE
131620-05-000
STRAINER
66440-01-000
NUT-SLIP
130403-01-000
TAILPIECE
11069-06-000
WASHER
127440-02-CHT

PIPE-STAND (21M
130234-01-000
(420)

SIN-SMA, DBL L/S/BASIN
136828-01-CHT
STRAINER
92303-01-000 (2)
WASHER-RUBBER
127440-02-CHT (2)
SEAL A/R
SCREW
G67-10-08B (10)
ANGLE
140002-01-CHT (10)

WASTE-CONT, DBL SINK
91980-01-000

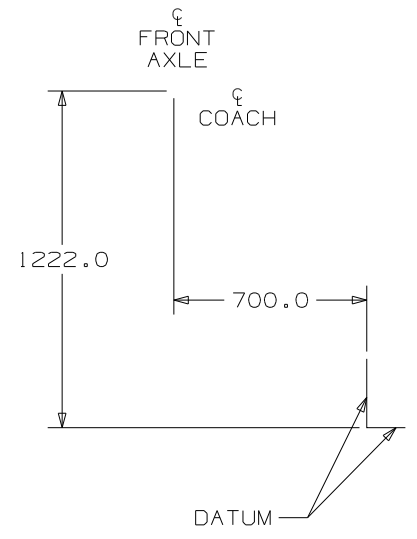
TOILET
140798-01-CHT



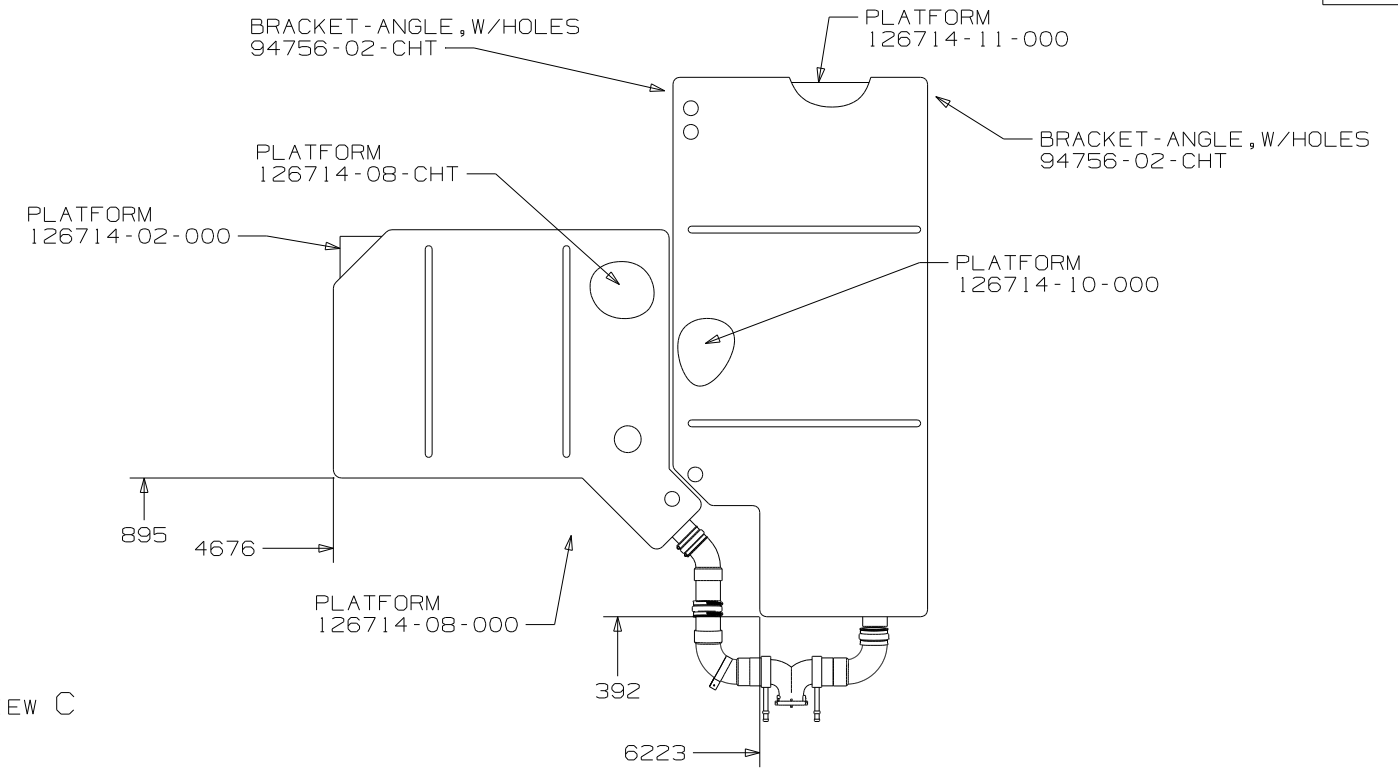
VIEW A

VIEW B

FIRST USED	03 F36M
TITLE	DO NOT SCALE DRAWING
	DRAINAGE SYSTEM INSTL
SHEET 2	PART NO 142188

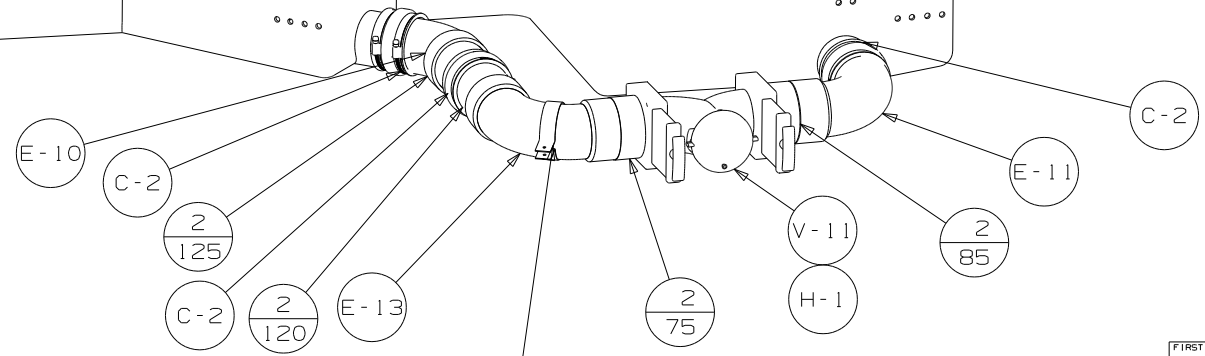


VIEW C



TANK-HOLDING, 45 GAL
134216-03-000

TANK-HOLDING, 67 GAL
134217-03-000



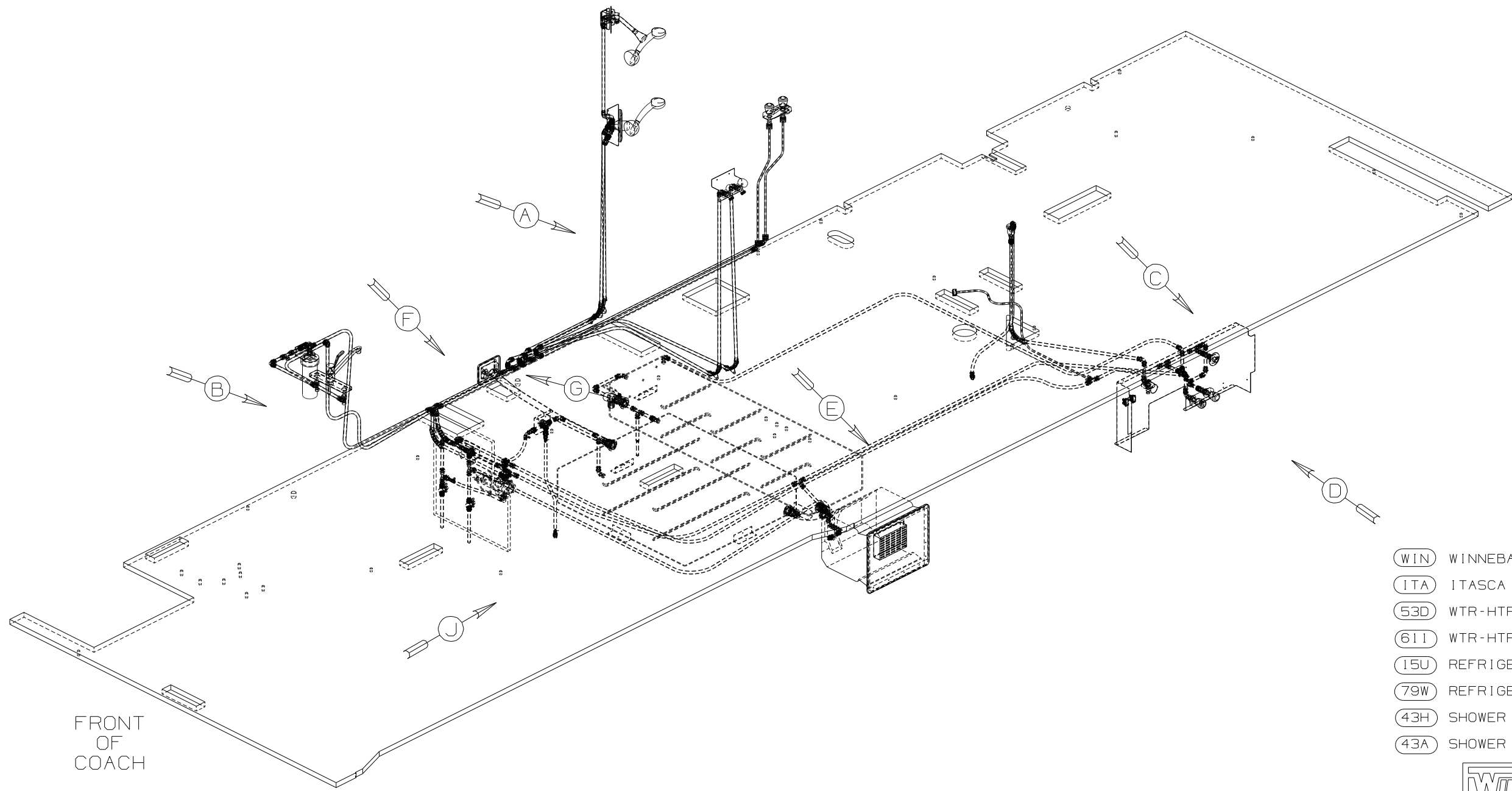
HOLDER-RING
141443-01-CHT

VIEW D

FIRST USED	03 F36M
TITLE	DO NOT SCALE DRAWING DRAINAGE SYSTEM INSTL
SHEET 3	PART NO 142188

DWG NO	----
142191-01	(WIN)
142191-02	(ITA)

RELEASE	REV DATE	DWG NO	142191
REV ZONE	REVISION RECORD	DATE	DFTR-ORIG



- (WIN) WINNEBAGO ONLY
- (ITA) ITASCA ONLY
- (53D) WTR-HTR-6/ELE/LP/MA
- (611) WTR-HTR-AUX AUTO/MA
- (15U) REFRIGERATOR/FRZR W/ICEMAKER
- (79W) REFRIGERATOR 4-DOOR
- (43H) SHOWER HEAD-HAND HELD
- (43A) SHOWER HEAD-FIXED

FRONT
OF
COACH

- NOTES:
- 7 ADD TEFLON TAPE 10405-03-000.
 - 6 ADD TEFLON TAPE 10405-01-000.
 - 5 ADD TEFLON TAPE 10405-02-000.
 - 4 FLUSHING SYSTEM REQUIRES 125697-06-000 INSTRUCTION SHEET.
3. ALL TUBING TO BE SECURED AT 1200 INTERVALS MAXIMUM WITH CLAMP 10495-01-000 OR CLIP 9151-01-000 AND SCREW G67-10-12B.
 2. TUBING TO BE INSTALLED WITH SUFFICIENT SLOPE TO PROVIDE DRAINAGE TO NEAREST VALVE.
 1. PLASTIC FITTINGS TO BE SEALED WITH SEALANT 84456-01-000.

(X-X)
FOR
WATER
CALLOUTS
SEE DWG NO
116230-01-000

WINNEBAGO		COPYRIGHT 2003 WINNEBAGO INDUSTRIES, INC.	
DFTR	ORIG. DATE	ALL DIMENSIONS ARE IN MILLIMETERS	
CHKR		FIRST USED	
P.E.		03 F36M	
M.E.		UNSPECIFIED TOLERANCES ARE:	
DSNR		MATERIAL:	
		WHOLE DIM (X) :	
		ONE-PLACE (X.X) :	
		TWO-PLACE (X.XX) :	
		ANGLE :	
THIRD ANGLE PROJECTION		DO NOT SCALE DRAWING	
TITLE: WATER SYSTEM INSTL			
SHEET 1 OF 4		PART NO 142191	
REF: 139357 1 01/29/03			

4 BREAKER-VACUUM
125697-04-000
CHECK VALVE
125697-03-000
MUST BE MOUNTED ABOVE
TOILET FLOOD LEVEL

43A E-29 PLATE-COVER
131549-01-CHT

VALVE-SHOWER HEAD
128974-01-CHT
BRACKET ASM
131551-01-CHT

FAUCET-WASHER
98419-01-000(2)

43A FAUCET
131340-01-CHT

BRACKET-FAUCET
134472-01-CHT

TU-5 15U 79W
2800

V-14 15U 79W

T-23 15U 79W

FAUCET
141432-01-CHT
SPACER-FAUCET
137079-02-CHT

TO TOILET

BRACKET-SHOWER CONTROL
131554-01-CHT

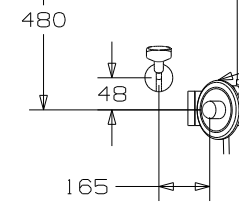
FILTER
87200-01-000
CARTRIDGE
87200-02-000
SCREW
667-10-12U (2)

DETAIL B

DROP ELL
135028-01-CHT
SHOWER HEAD
129390-03-CHT
SPACER
130041-01-CHT

N-1

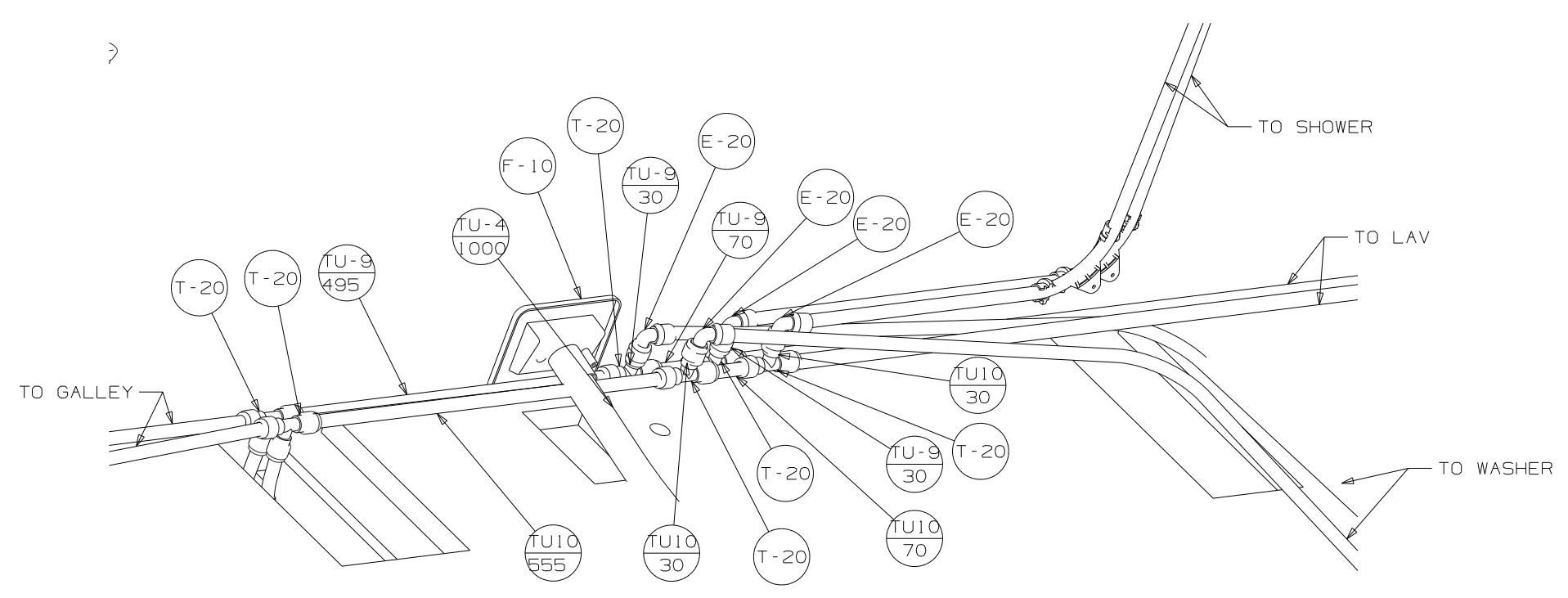
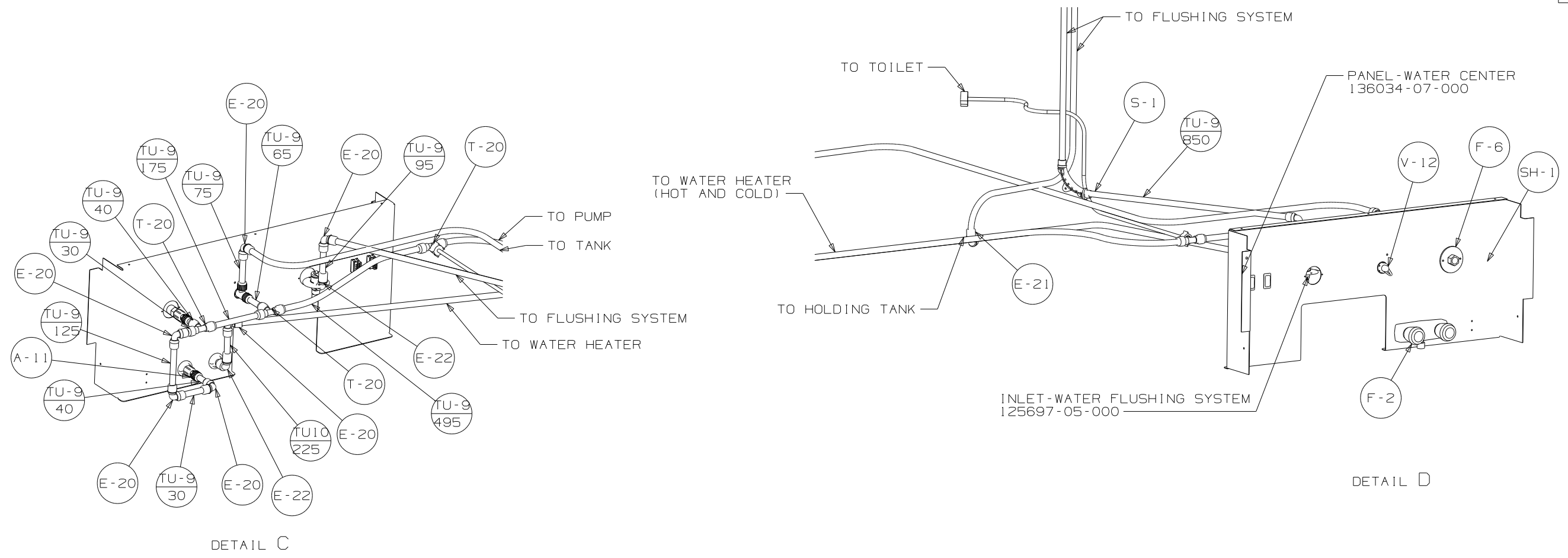
FAUCET
131340-02-CHT



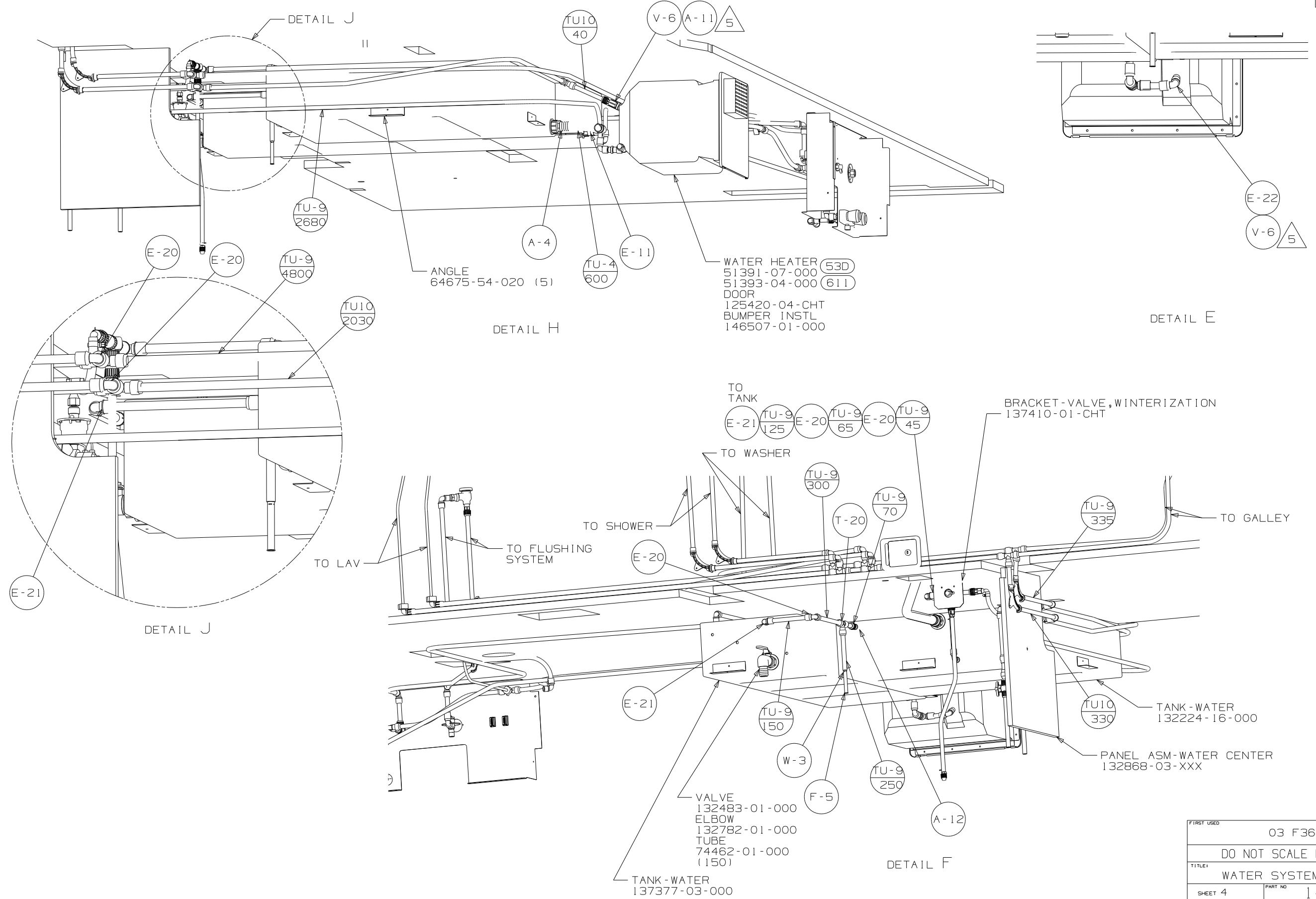
DETAIL K 43H

DETAIL A

FIRST USED	03 F36M
DO NOT SCALE DRAWING	
TITLE	WATER SYSTEM INSTL
SHEET 2	PART NO 142191



FIRST USED	03 F36M
TITLE	DO NOT SCALE DRAWING
TITLE	WATER SYSTEM INSTL
SHEET 3	PART NO 142191



WATER HEATER 53D
 51391-07-000
 51393-04-000 611
 DOOR
 125420-04-CHT
 BUMPER INSTL
 146507-01-000

BRACKET-VALVE, WINTERIZATION
 137410-01-CHT

VALVE
 132483-01-000
 ELBOW
 132782-01-000
 TUBE
 74462-01-000
 (150)

TANK-WATER
 137377-03-000

TANK-WATER
 132224-16-000

PANEL ASM-WATER CENTER
 132868-03-XXX

FIRST USED	03 F36M
DO NOT SCALE DRAWING	
TITLE:	WATER SYSTEM INSTL
SHEET 4	PART NO 142191