

FRONT  
OF  
COACH

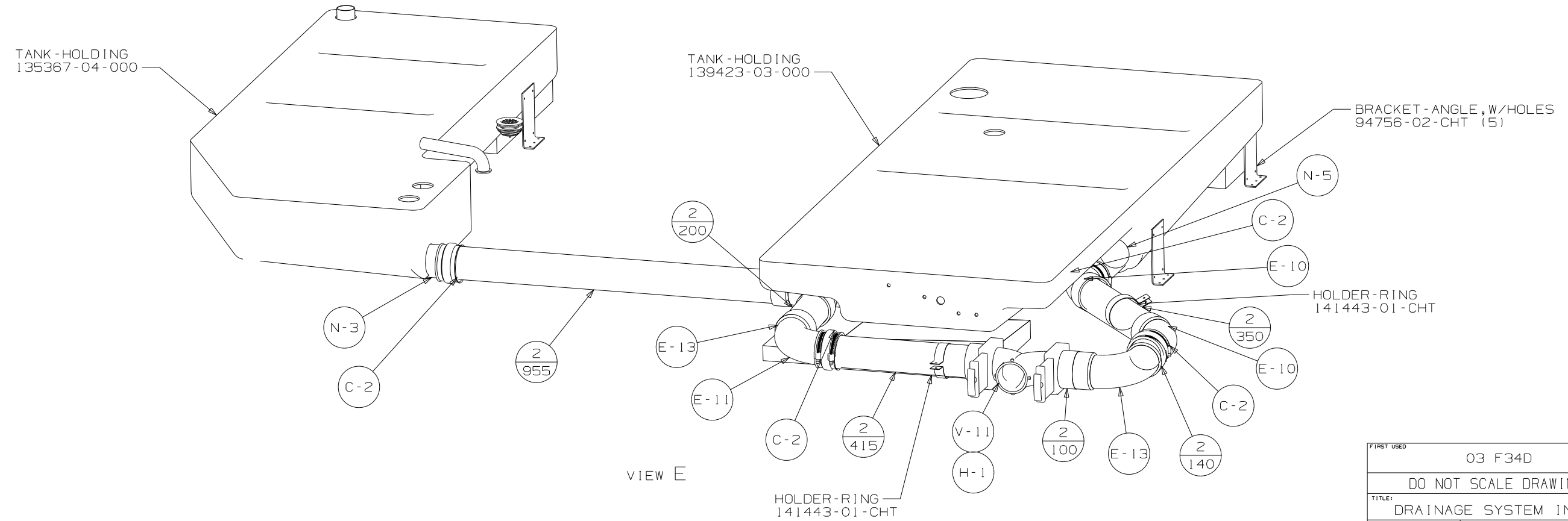
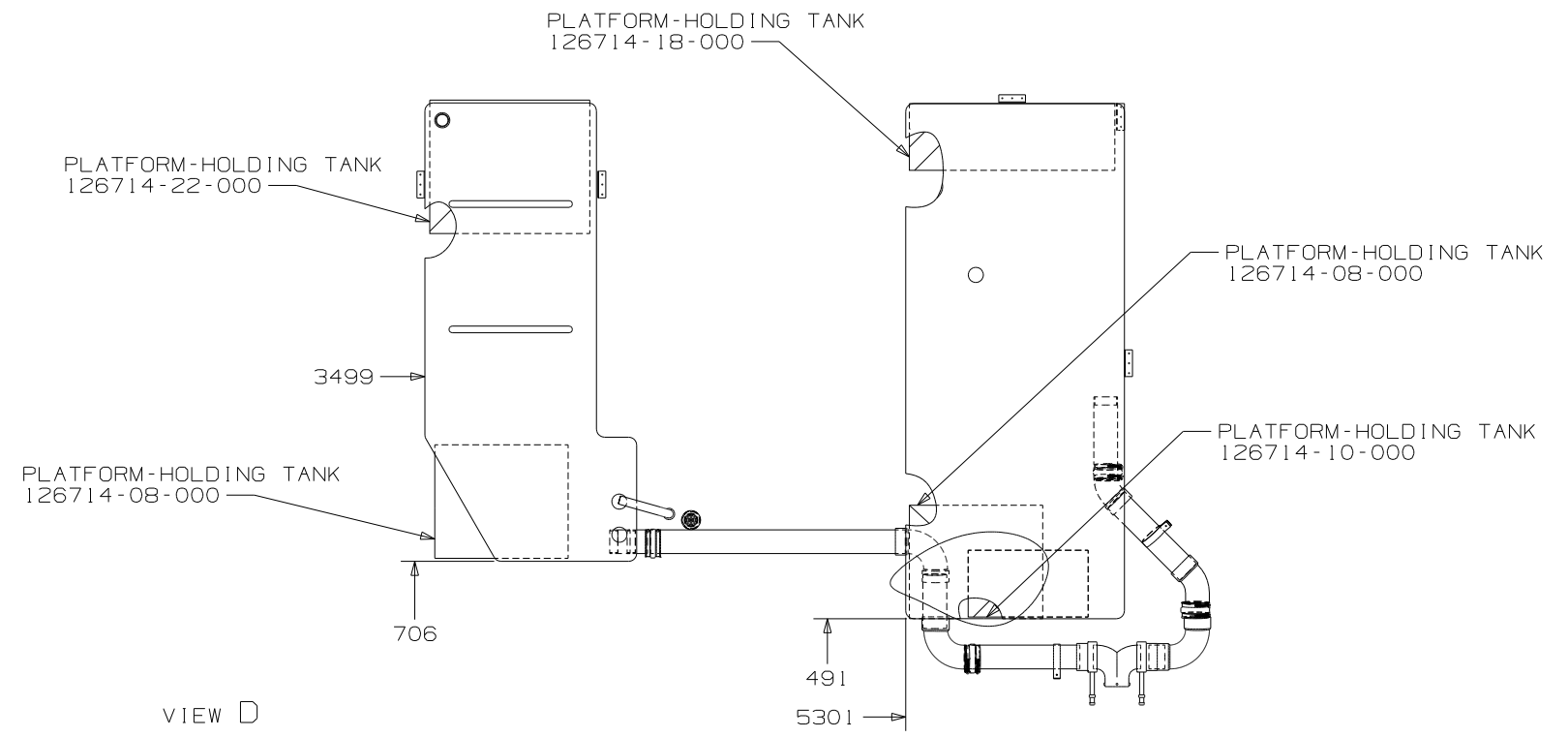
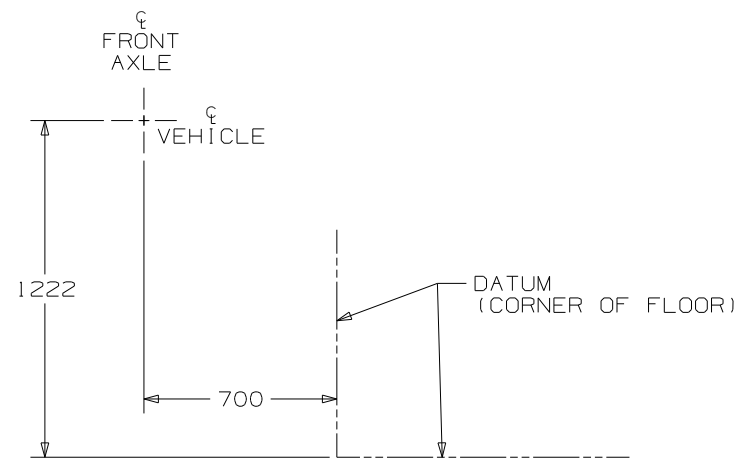
(B1) CODES/STANDARDS USA  
(265) CODES/STDS - CSA, CMVSS

- NOTES:
- 7. SECURE VENT TUBES WITH BRACKET 136878-01-CHT (4), CLAMP 62401-02-000 (4), SCREW G67-10-12B (4).
  - 6. VENT PIPE MUST PROECT 51 MIN AND 64 MAX ABOVE ROOF FOR PROPER FIT AND FUNCTION.
  - 5. SEAL AROUND SHOWER WITH SILICONE.
  - 4. ALL EXTERIOR OPENINGS AROUND PIPE TO BE SEALED WITH 100744-01-000.
  - 3. ALL PIPE AND FITTINGS TO BE ASSEMBLED WITH SOLVENT 4020-01-000.
  - 2. SLOPE OF TRAP ARM MUST BE 6 PER 305 mm.
  - 1. SLOPE OF HORIZONTAL PIPING TO BE MIN 3 PER 305 mm.

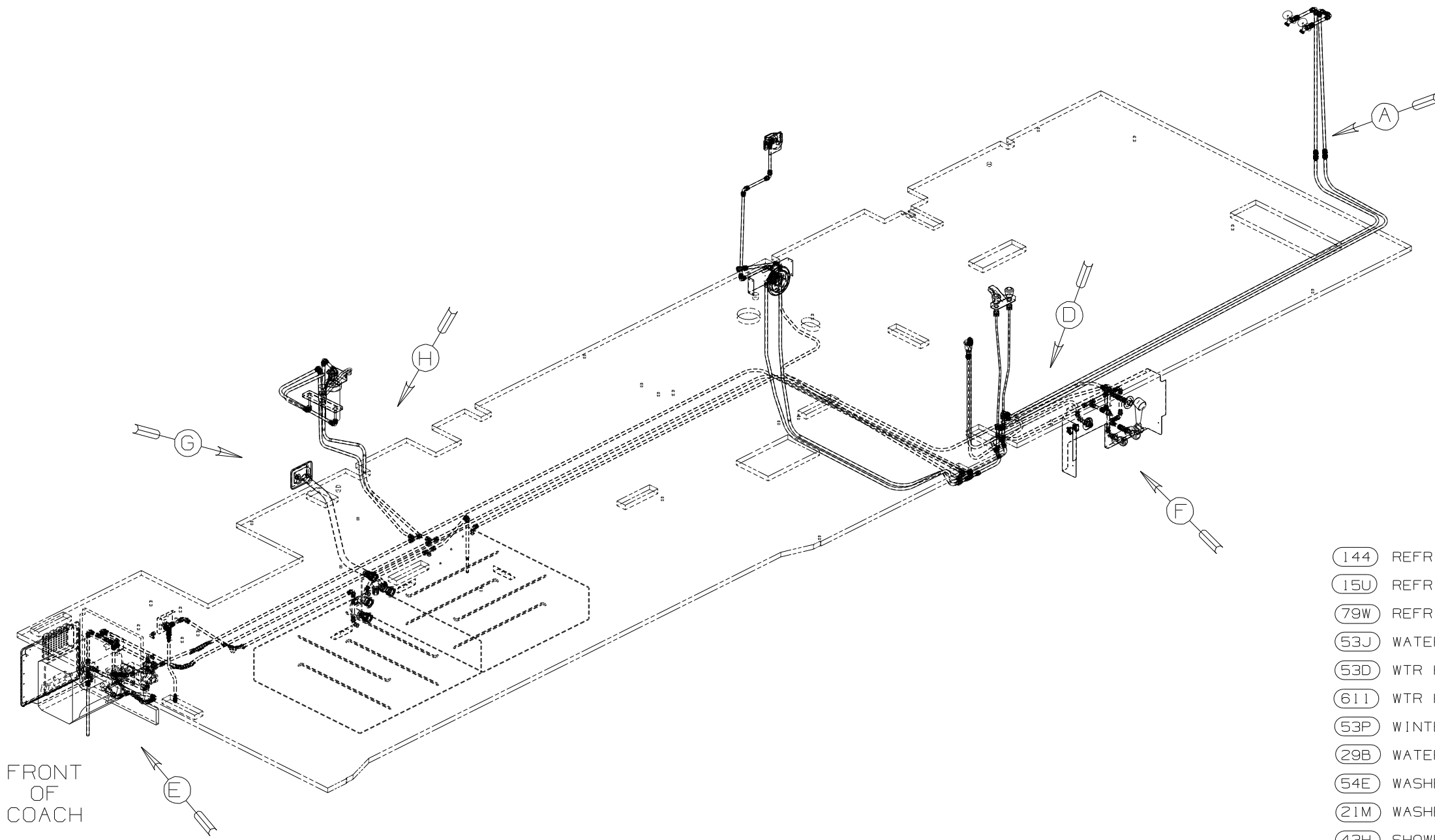
<b>WINNEBAGO</b>		COPYRIGHT 2002 WINNEBAGO INDUSTRIES, INC.	
DFTR	ORIG. DATE	ALL DIMENSIONS ARE IN MILLIMETERS	
CHKR		FIRST USED	
P.E.		03 F34D	
M.E.		UNSPECIFIED TOLERANCES ARE:	
DSNR		MATERIAL:	
		WHOLE DIM (X) :	3
		ONE-PLACE (X.X) :	
		TWO-PLACE (X.XX) :	
		ANGLE :	
THIRD ANGLE PROJECTION		DO NOT SCALE DRAWING	
TITLE: DRAINAGE SYSTEM INSTL			
SHEET 1 OF 3		PART NO 142780	

(X-X)  
FOR  
DRAINAGE  
CALLOUTS  
SEE DWG NO  
116229-01-000





FIRST USED	03 F34D
TITLE	DO NOT SCALE DRAWING
SHEET 3	PART NO 142780
	10/16/02



- (144) REFRIGERATOR-DOUBLE DOOR
- (15U) REFRIGERATOR DBL DOOR-W/ICEMAKER
- (79W) REFRIGERATOR-4 DOOR
- (53J) WATER HEATER BY-PASS VALVE
- (53D) WTR HTR-6 GAL/ELEC/LP/MOTORAID
- (611) WTR HTR-AUX AUTO/MOTORAID
- (53P) WINTERIZING VALVE, MANUAL
- (29B) WATER PURIFIER
- (54E) WASHER/DRYER
- (21M) WASHER/DRYER PREP
- (43H) SHOWER HEAD-HAND HELD
- (43A) SHOWER HEAD-FIXED

- NOTES:
- 8 TAPE FITTING TO TUBE BEFORE CABINET SET TO PREVENT FITTING FROM MOVING.
  - 7 LABEL HOT AND COLD WATER LINES.
  - 6 ADD TEFLON TAPE 10405-01-000.
  - 5 ADD TEFLON TAPE 10405-02-000.
  - 4 FLUSHING SYSTEM REQUIRES 125697-06-000 INSTRUCTION SHEET.
3. ALL TUBING TO BE SECURED AT 1200 INTERVALS MAXIMUM WITH CLAMP 10495-01-000 OR CLIP 9151-01-000 AND SCREW 667-10-12B.
  2. TUBING TO BE INSTALLED WITH SUFFICIENT SLOPE TO PROVIDE DRAINAGE TO NEAREST VALVE.
  1. PLASTIC FITTINGS TO BE SEALED WITH SEALANT 84456-01-000.

(X-X)  
FOR WATER CALLOUTS SEE DWG NO 116230-01-000

<b>WINNEBAGO</b>		COPYRIGHT 2003 WINNEBAGO INDUSTRIES, INC.	
DFTR	ORIG. DATE	ALL DIMENSIONS ARE IN MILLIMETERS	
CHKR		FIRST USED	
P.E.		03 F34D	
M.E.		UNSPECIFIED TOLERANCES ARE:	
DSNR		MATERIAL:	
		WHOLE DIM (X)	: 3
		ONE-PLACE (X.X)	:
		TWO-PLACE (X.XX)	:
		ANGLE	:
THIRD ANGLE PROJECTION		DO NOT SCALE DRAWING	
TITLE: WATER SYSTEM INSTL			
SHEET 1 OF 4		PART NO 142779	

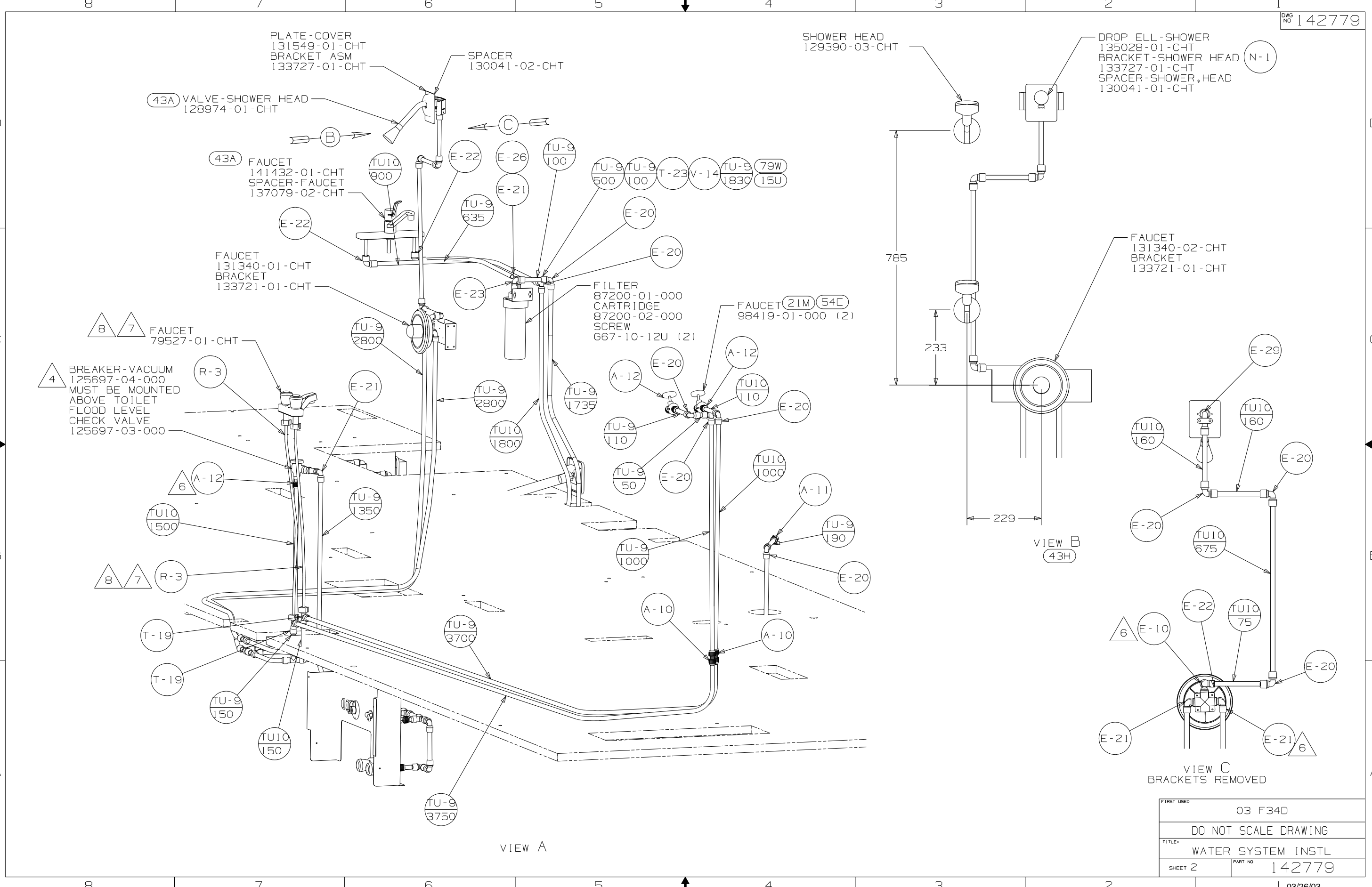


PLATE - COVER  
131549-01-CHT  
BRACKET ASM  
133727-01-CHT

SPACER  
130041-02-CHT

SHOWER HEAD  
129390-03-CHT

DROP ELL - SHOWER  
135028-01-CHT  
BRACKET - SHOWER HEAD N-1  
133727-01-CHT  
SPACER - SHOWER, HEAD  
130041-01-CHT

43A VALVE - SHOWER HEAD  
128974-01-CHT

43A FAUCET  
141432-01-CHT  
SPACER - FAUCET  
137079-02-CHT

FAUCET  
131340-01-CHT  
BRACKET  
133721-01-CHT

8 7 FAUCET  
79527-01-CHT

4 BREAKER - VACUUM  
125697-04-000  
MUST BE MOUNTED  
ABOVE TOILET  
FLOOD LEVEL  
CHECK VALVE  
125697-03-000

FILTER  
87200-01-000  
CARTRIDGE  
87200-02-000  
SCREW  
667-10-12U (2)

FAUCET (21M) (54E)  
98419-01-000 (2)

785

233

FAUCET  
131340-02-CHT  
BRACKET  
133721-01-CHT

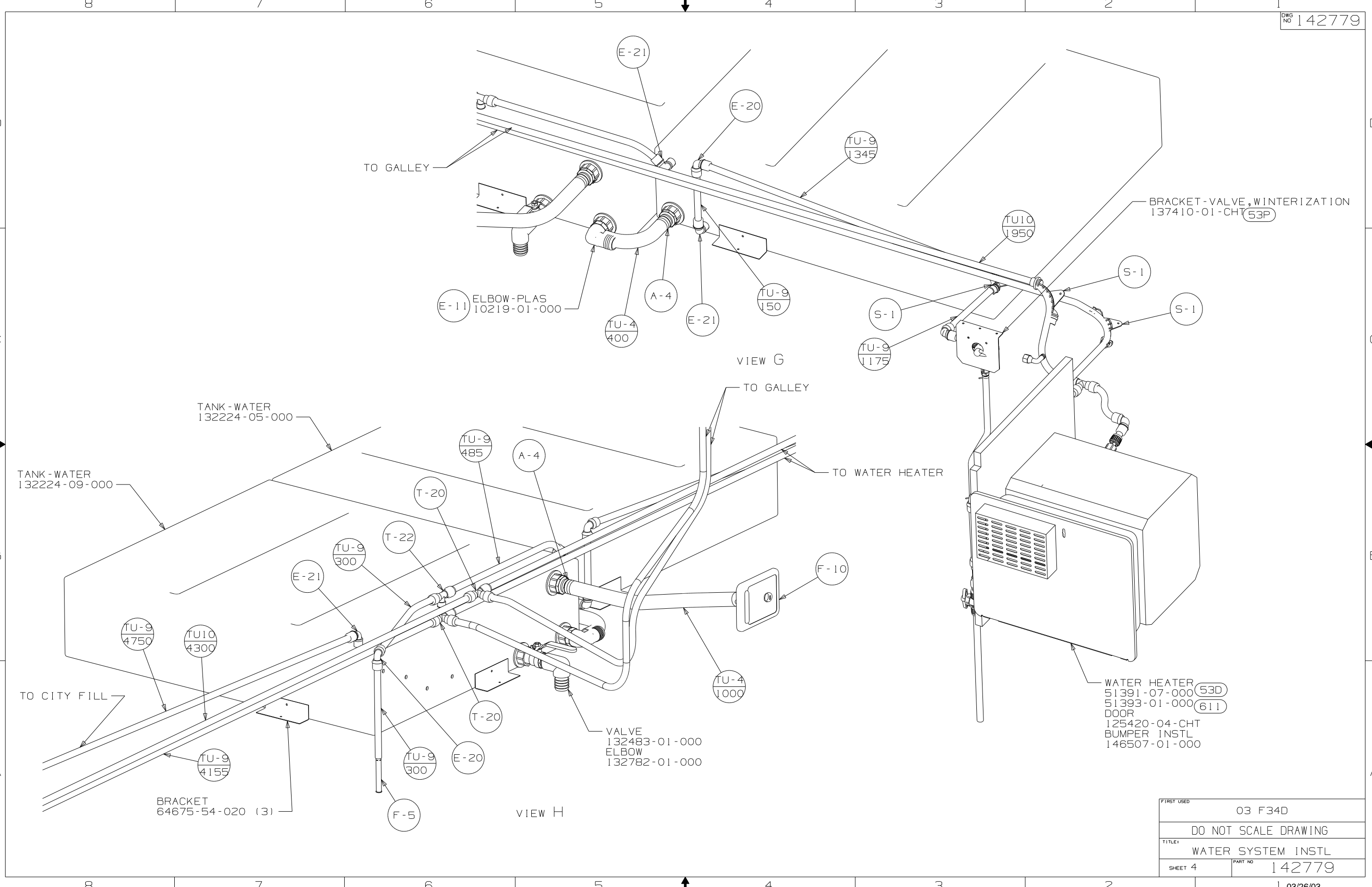
VIEW B  
43H

VIEW C  
BRACKETS REMOVED

VIEW A

FIRST USED	03 F34D
TITLE	DO NOT SCALE DRAWING
TITLE	WATER SYSTEM INSTL
SHEET 2	PART NO 142779





FIRST USED	03 F34D
DO NOT SCALE DRAWING	
TITLE:	WATER SYSTEM INSTL
SHEET 4	PART NO 142779