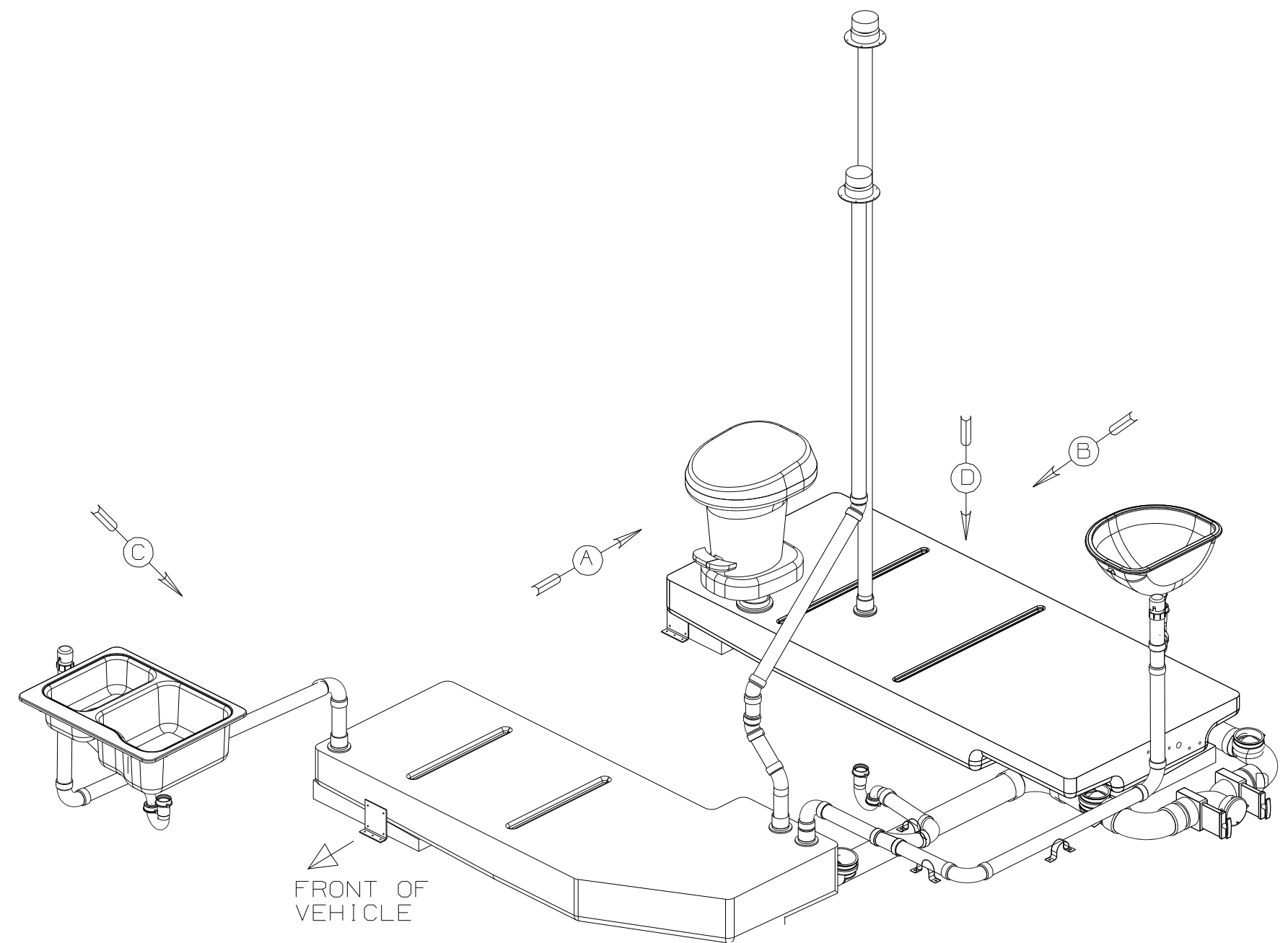


DWG NO	----
141637-01	(WIN)
141637-02	(ITA)

RELEASE	REV DATE	DWG NO	141637
REV ZONE	REVISION RECORD	DATE	DFTR-ORIG



FRONT OF VEHICLE

- (WIN) WINNEBAGO ONLY
- (ITA) ITASCA ONLY
- (265) CODES/STANDARDS-CSA/CMVSS
- (1B1) CODES/STANDARDS-USA

- NOTES:
9. SECURE TO FLOOR WITH BRACKET 136878-01-CHT, CLAMP 62401-02-000, AND SCREW G67-10-12B.
  8. TRIM TO FIT.
  7. VENT PIPE MUST PROJECT 51 MIN AND 64 MAX ABOVE ROOF FOR PROPER FIT AND FUNCTION.
  6. ROF CANADIAN UNITS EACH HOLDING TANK SHALL HAVE A CSA APPROVAL STAMPED NEAR THE IAMPO APPROVAL.
  5. SEAL AROUND SHOWER WITH SILICONE.
  4. ALL EXTERIOR OPENINGS AROUND PIPE TO BE SEALED WITH 100744-01-000.
  3. ALL PIPE AND FITTINGS TO BE ASSEMBLED WITH SOLVENT 4020-01-000.
  2. SLOPE OF TRAP ARM MUST BE 6 PER 305 mm.
  1. SLOPE OF HORIZONTAL PIPING TO BE 6 PER 305 mm.

(X-X)  
FOR DRAINAGE CALLOUTS SEE DWG NO. 116229-01-000

<b>WINNEBAGO</b>		COPYRIGHT 2002 WINNEBAGO INDUSTRIES, INC.	
DFTR	ORIG. DATE	ALL DIMENSIONS ARE IN MILLIMETERS	
CHKR		FIRST USED	
P.E.		03 F32V	
M.E.		UNSPECIFIED TOLERANCES ARE:	
DSNR		MATERIAL:	
		WHOLE DIM (X)	: 3
		ONE-PLACE (X.X)	:
		TWO-PLACE (X.XX)	:
		ANGLE	:
		THIRD ANGLE PROJECTION	
DO NOT SCALE DRAWING			
TITLE: DRAINAGE SYSTEM INSTL			
SHEET 1 OF 3	PART NO	141637	

- SINK-SMC, DBL L/S BASIN
- 136828-01-CHT (US/CAN)
- STRAINER
- 92303-01-000 (2)
- BRACKET
- 130481-07-CHT (8)
- SCREW
- 142261-02-CHT (20)
- WASHER-RUBBER
- 127440-02-CHT (2)
- SEAL (A/R)

- SINK
- 142285-01-CHT
- SCREW
- G67-08-10U (6)
- SEAL (A/R)
- GASKET
- 106116-02-CHT
- TAILPIECE
- 106116-01-CHT

- SHOWER INSTL - ENCLOSURE
- 132496-01-000
- STRAINER
- 66440-01-000
- RUBBER WASHER
- 127440-02-CHT
- TAIL PIECE
- 11069-02-000
- NUT
- 130403-01-000

- STRAP-CONDUIT
- 008406-01-000 (3)
- SCREW
- G64-10-12B (6)

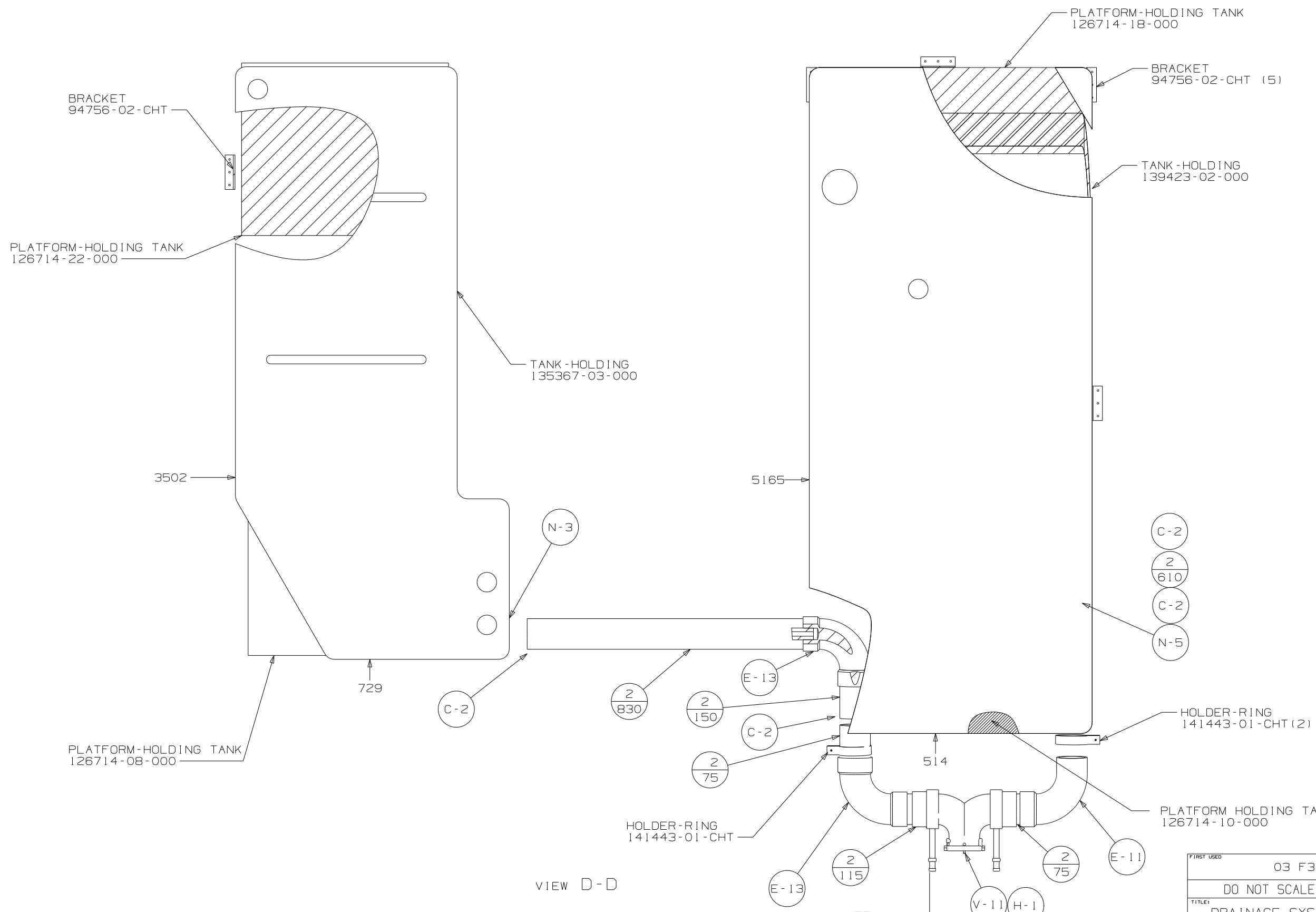
TOILET  
140798-01-CHT

WASTE-CONT, DBL SINK  
91980-01-000

VIEW C-C

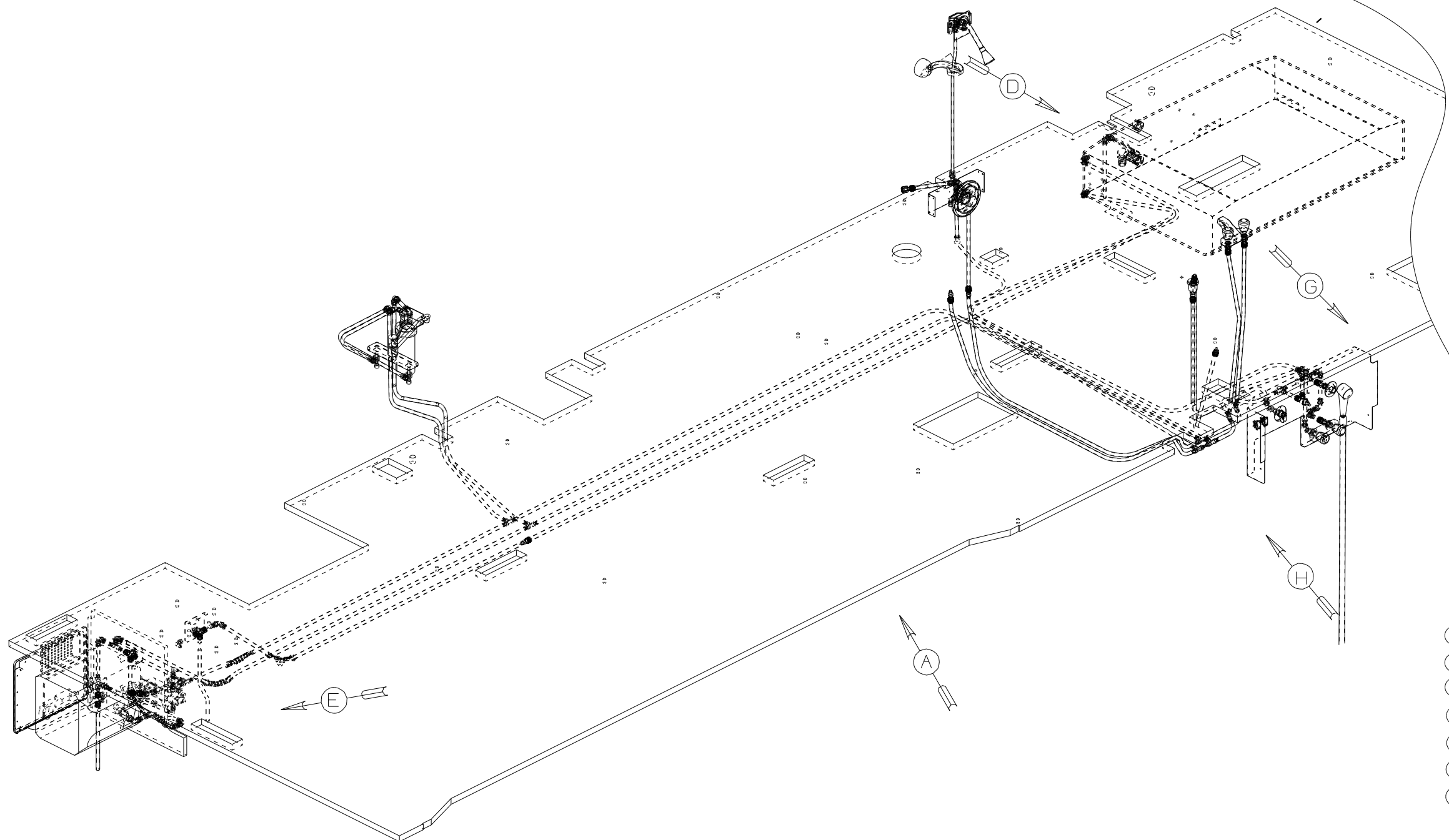
VIEW B-B  
(SHOWER PAN REMOVED)

FIRST USED	03 F32V
TITLE	DO NOT SCALE DRAWING
TITLE	DRAINAGE SYSTEM INSTL
SHEET 2	PART NO 141637



VIEW D-D

FIRST USED	03 F32V
DO NOT SCALE DRAWING	
TITLE	DRAINAGE SYSTEM INSTL
SHEET 3	PART NO 141637



- (1B1) CODES/STANDARDS-USA
- (265) CODES/STANDARDS-CSA/CMVSS
- (29B) WATER PURIFIER
- (43A) SHOWER HEAD-FIXED
- (43H) SHOWER HEAD-HAND HELD
- (53D) WTR-HTR-6/ELE/LP/MA
- (611) WTR-HTR-AUX AUTO MA

- 7 ADD TEFLON TAPE 10405-03-000.
  - 6 ADD TEFLON TAPE 10405-01-000.
  - 5 ADD TEFLON TAPE 10405-02-000.
  - 4 FLUSHING SYSTEM REQUIRES 125697-06-000 INSTRUCTION SHEET.
3. ALL TUBING TO BE SECURED AT 1200 INTERVALS MAXIMUM WITH CLAMP 10495-01-000 OR CLIP 9151-01-000 AND SCREW 667-10-12B.
  2. TUBING TO BE INSTALLED WITH SUFFICIENT SLOPE TO PROVIDE DRAINAGE TO NEAREST VALVE.
  1. PLASTIC FITTINGS TO BE SEALED WITH SEALANT 84456-01-000.

NOTES:

<b>WINNEBAGO</b>		COPYRIGHT 2003 WINNEBAGO INDUSTRIES, INC.	
DFTR	ORIG. DATE	ALL DIMENSIONS ARE IN MILLIMETERS	
CHKR		FIRST USED	
P.E.		03 F32V, WH	
M.E.		UNSPECIFIED TOLERANCES ARE:	
DSNR		MATERIAL:	
		WHOLE DIM (X)	: 7
		ONE-PLACE (X.X)	:
		TWO-PLACE (X.XX)	:
		ANGLE	:
THIRD ANGLE PROJECTION		DO NOT SCALE DRAWING	
TITLE: WATER SYSTEM INSTL			
SHEET 1 OF 4		PART NO 141886	
REF: 140084 1 03/26/03			

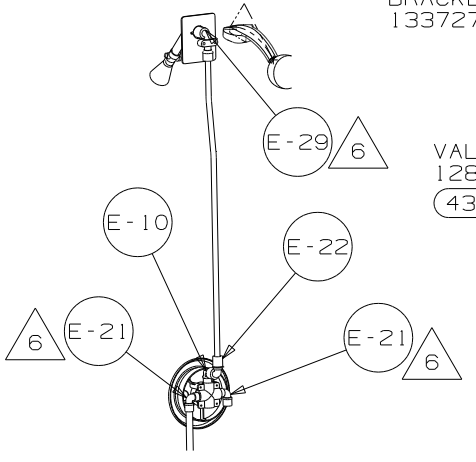
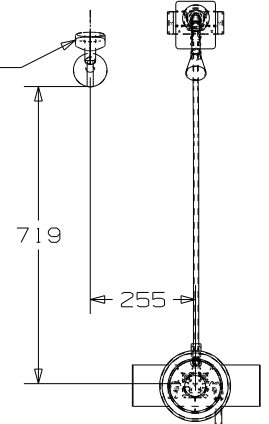
(X-X)  
FOR  
WATER  
CALLOUTS  
SEE DWG NO  
116230-01-000

- HAND HELD SHOWER  
129390-03-CHT
- FAUCET-SHOWER  
131340-02-CHT
- ELBOW  
135028-01-CHT
- SPACER  
130041-01-CHT
- FILM  
109506-12-000

- BRACKET ASM-SHOWER HEAD  
133727-01-CHT
- PLATE-COVER,SHOWER HEAD  
131549-01-CHT

- VALVE-SHOWER HEAD  
128974-01-CHT  
(43A)

- FAUCET-GALLEY,SGL CONTROL  
141432-01-CHT
- SPACER-FAUCET  
137079-02-CHT



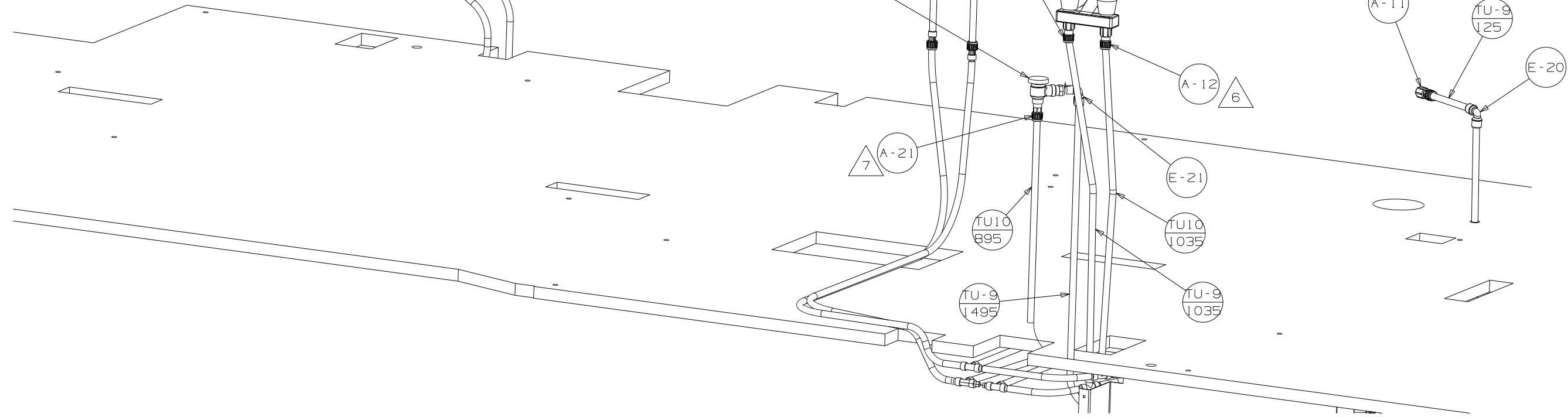
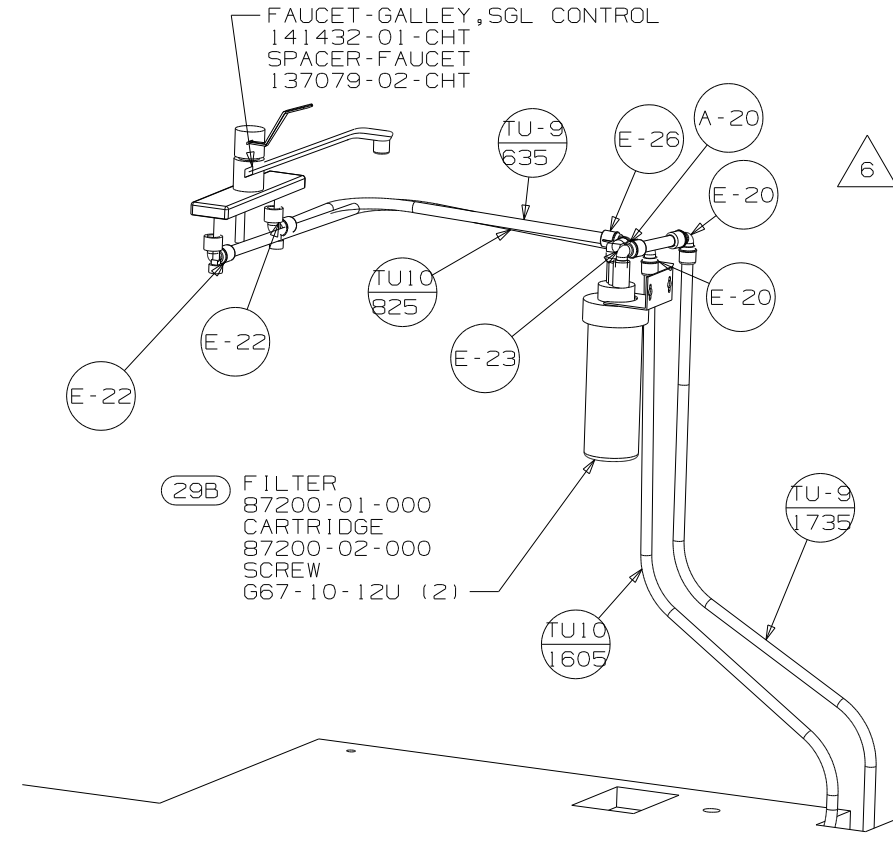
VIEW B

- FAUCET  
131340-01-CHT
- BRACKET-SHOWER CONTROL  
133721-01-CHT

- (29B) FILTER  
87200-01-000
- CARTRIDGE  
87200-02-000
- SCREW  
G67-10-12U (2)

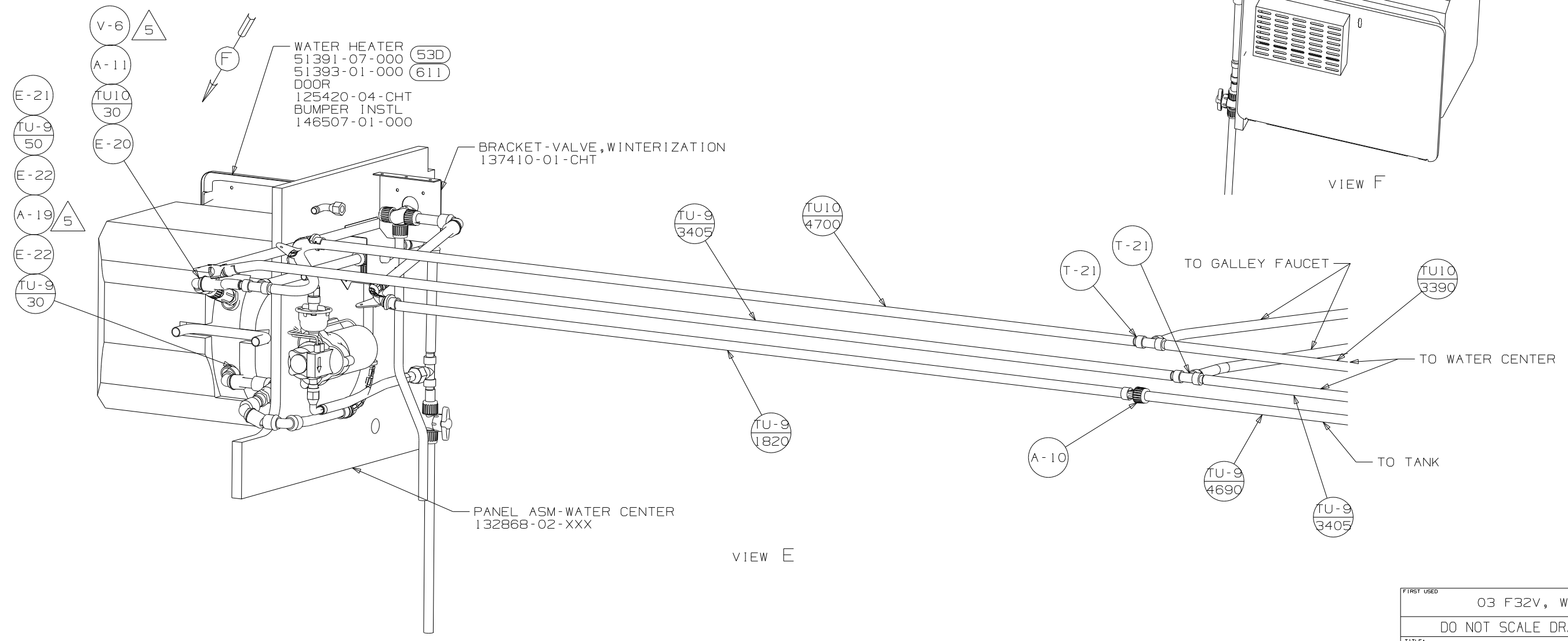
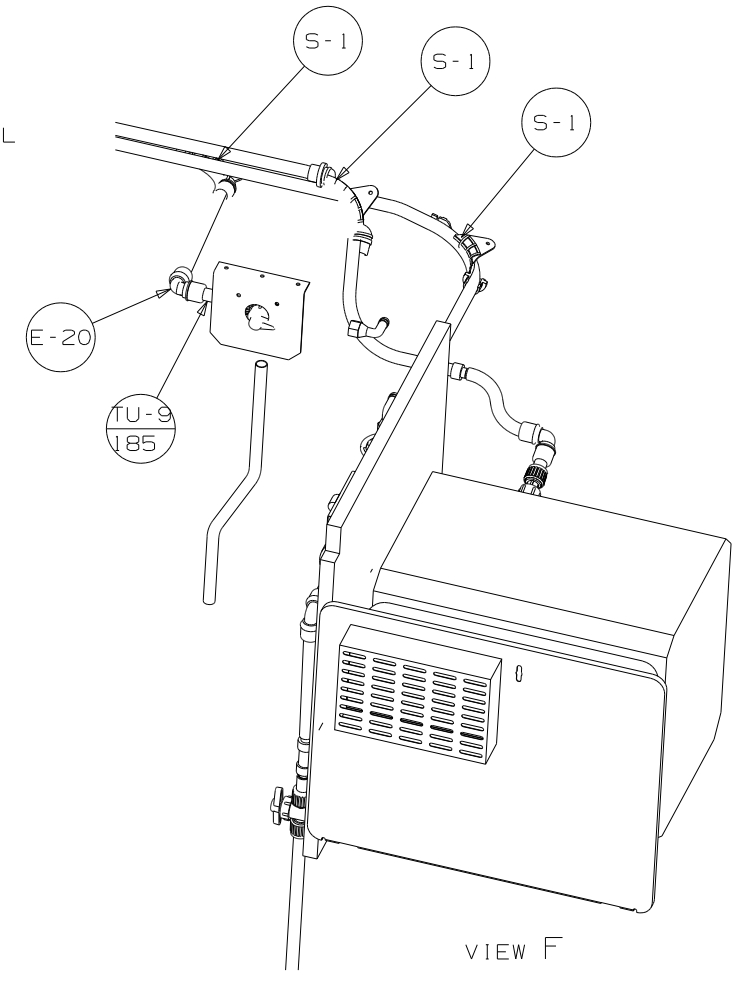
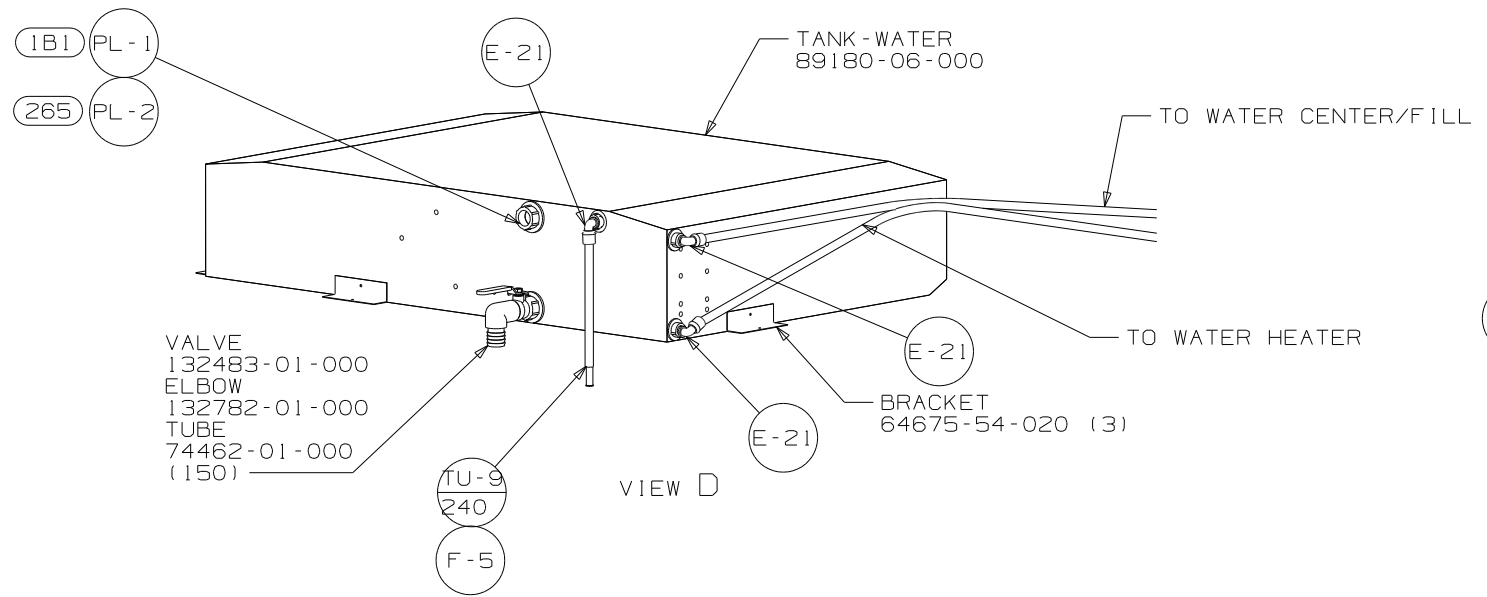
- BREAKER-VACUUM  
125697-04-000
- MUST BE MOUNTED ABOVE  
TOILET FLOOD LEVEL
- CHECK VALVE  
125697-03-000

- FAUCET-LAV  
79527-01-CHT



VIEW A

FIRST USED	03 F32V, WH
TITLE	DO NOT SCALE DRAWING
TITLE	WATER SYSTEM INSTL
SHEET 2	PART NO 141886



FIRST USED	03 F32V, WH
TITLE	DO NOT SCALE DRAWING
SHEET 3	PART NO 141886
1 03/26/03	

