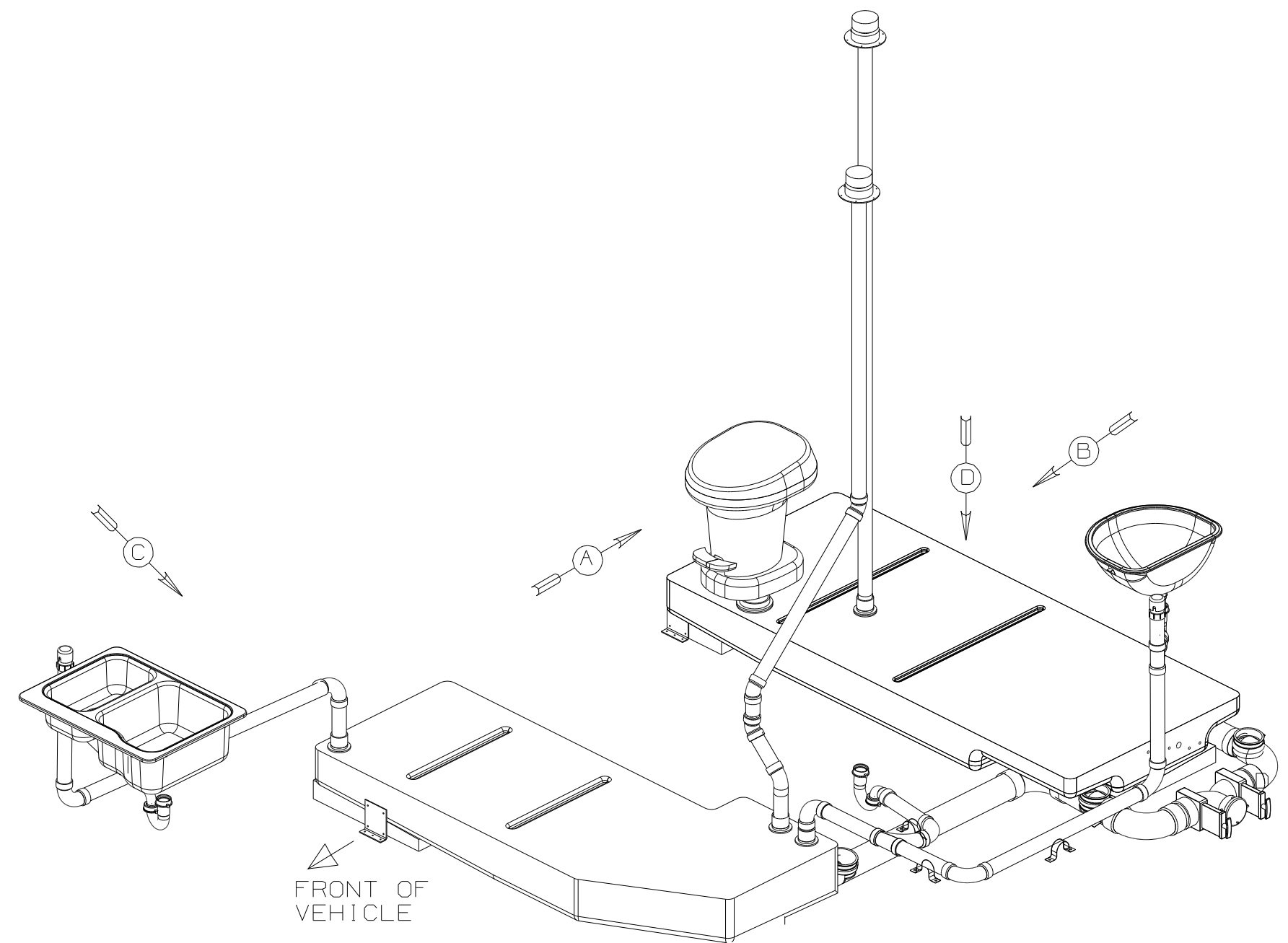


DWG NO	-----
141637-01	(WIN)
141637-02	(ITA)

RELEASE	REV DATE	DWG NO	141637
REV ZONE	REVISION RECORD	DATE	DFTR-ORIG



9. SECURE TO FLOOR WITH BRACKET 136878-01-CHT, CLAMP 62401-02-000, AND SCREW G67-10-12B.
8. TRIM TO FIT.
7. VENT PIPE MUST PROJECT 51 MIN AND 64 MAX ABOVE ROOF FOR PROPER FIT AND FUNCTION.
6. ROF CANADIAN UNITS EACH HOLDING TANK SHALL HAVE A CSA APPROVAL STAMPED NEAR THE IAMPO APPROVAL.
5. SEAL AROUND SHOWER WITH SILICONE.
4. ALL EXTERIOR OPENINGS AROUND PIPE TO BE SEALED WITH 100744-01-000.
3. ALL PIPE AND FITTINGS TO BE ASSEMBLED WITH SOLVENT 4020-01-000.
2. SLOPE OF TRAP ARM MUST BE 6 PER 305 mm.
1. SLOPE OF HORIZONTAL PIPING TO BE 6 PER 305 mm.

- (WIN) WINNEBAGO ONLY
- (ITA) ITASCA ONLY
- (265) CODES/STANDARDS-CSA/CMVSS
- (1B1) CODES/STANDARDS-USA

(X-X)  
FOR DRAINAGE CALLOUTS SEE DWG NO. 116229-01-000

<b>WINNEBAGO</b>		COPYRIGHT 2002 WINNEBAGO INDUSTRIES, INC.	
DFTR	ORIG. DATE	ALL DIMENSIONS ARE IN MILLIMETERS	
CHKR		FIRST USED	
P.E.		03 F32V	
M.E.		UNSPECIFIED TOLERANCES ARE:	
DSNR		MATERIAL:	
		WHOLE DIM (X)	: 3
		ONE-PLACE (X.X)	:
		TWO-PLACE (X.XX)	:
		ANGLE	:
		THIRD ANGLE PROJECTION	⊕
DO NOT SCALE DRAWING			
TITLE: DRAINAGE SYSTEM INSTL			
SHEET 1 OF 3	PART NO	141637	

- SINK-SMC, DBL L/S BASIN
- 136828-01-CHT (US/CAN)
- STRAINER
- 92303-01-000 (2)
- BRACKET
- 130481-07-CHT (8)
- SCREW
- 142261-02-CHT (20)
- WASHER-RUBBER
- 127440-02-CHT (2)
- SEAL (A/R)

- SINK
- 142285-01-CHT
- SCREW
- G67-08-10U (6)
- SEAL (A/R)
- GASKET
- 106116-02-CHT
- TAILPIECE
- 106116-01-CHT

- SHOWER INSTL - ENCLOSURE
- 132496-01-000
- STRAINER
- 66440-01-000
- RUBBER WASHER
- 127440-02-CHT
- TAIL PIECE
- 11069-02-000
- NUT
- 130403-01-000

- STRAP-CONDUIT
- 008406-01-000 (3)
- SCREW
- G64-10-12B (6)

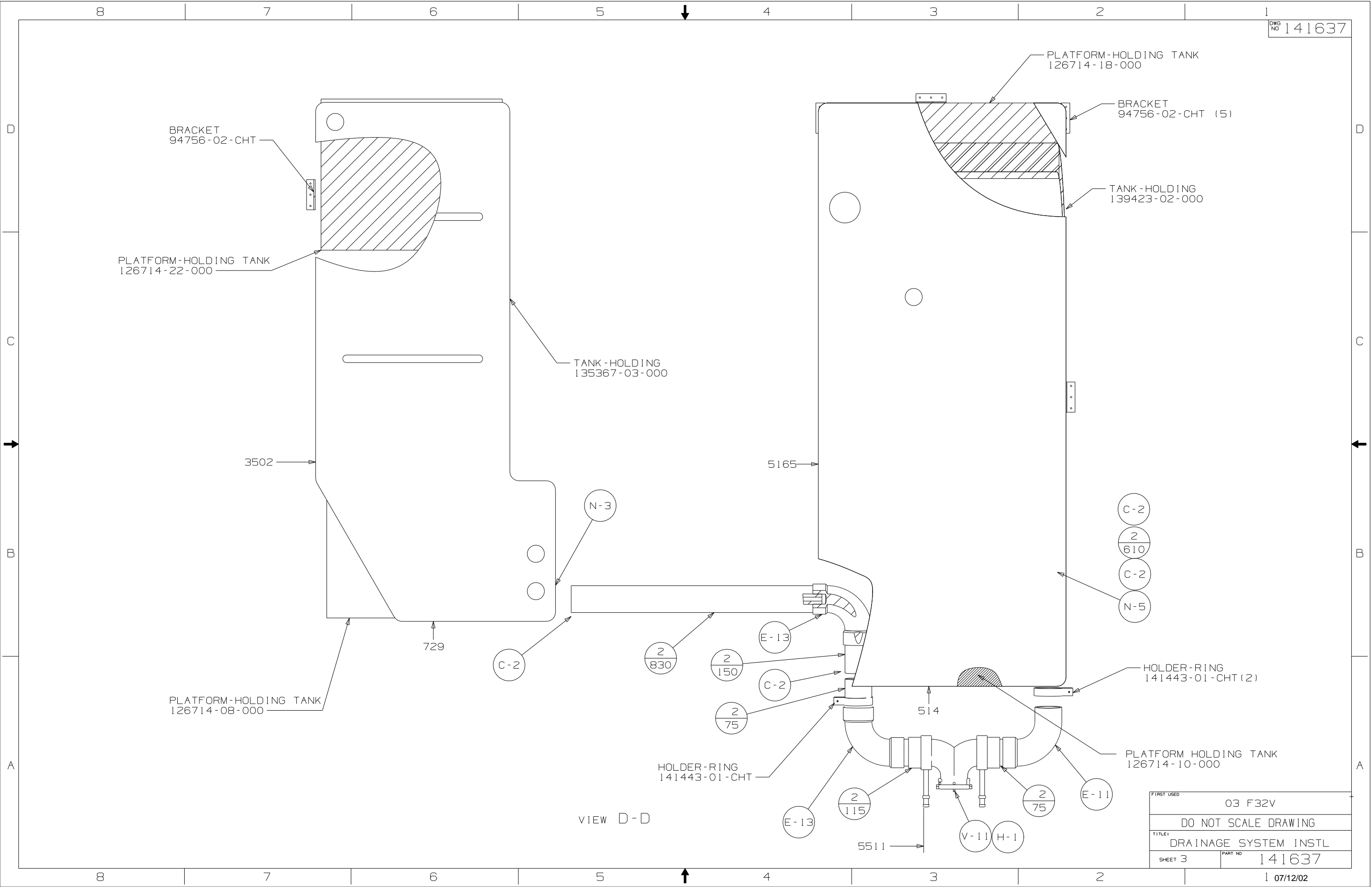
TOILET  
140798-01-CHT

WASTE-CONT, DBL SINK  
91980-01-000

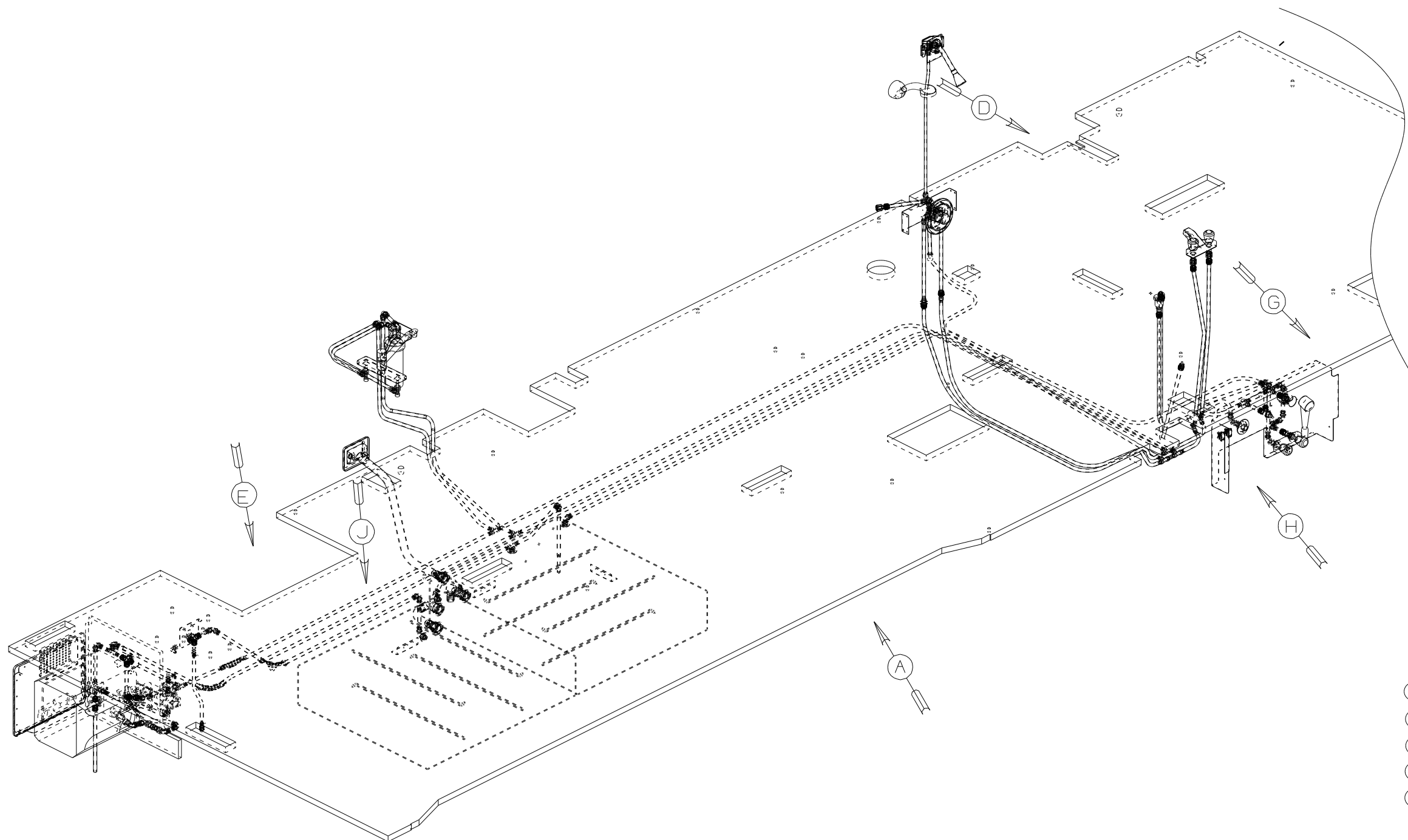
VIEW C-C

VIEW B-B  
(SHOWER PAN REMOVED)

FIRST USED	03 F32V
TITLE	DO NOT SCALE DRAWING
TITLE	DRAINAGE SYSTEM INSTL
SHEET 2	PART NO 141637



FIRST USED	03 F32V
DO NOT SCALE DRAWING	
TITLE	DRAINAGE SYSTEM INSTL
SHEET 3	PART NO 141637



- (29B) WATER PURIFIER
- (43A) SHOWER HEAD-FIXED
- (43H) SHOWER HEAD-HAND HELD
- (53D) WTR-HTR-6/ELE/LP/MA
- (611) WTR-HTR-AUX AUTO MA

- ▲ 7 ADD TEFLON TAPE 10405-03-000.
- ▲ 6 ADD TEFLON TAPE 10405-01-000.
- ▲ 5 ADD TEFLON TAPE 10405-02-000.
- ▲ 4 FLUSHING SYSTEM REQUIRES 125697-06-000 INSTRUCTION SHEET.

- 3. ALL TUBING TO BE SECURED AT 1200 INTERVALS MAXIMUM WITH CLAMP 10495-01-000 OR CLIP 9151-01-000 AND SCREW 667-10-12B.
- 2. TUBING TO BE INSTALLED WITH SUFFICIENT SLOPE TO PROVIDE DRAINAGE TO NEAREST VALVE.
- 1. PLASTIC FITTINGS TO BE SEALED WITH SEALANT 84456-01-000.

NOTES:

<b>WINNEBAGO</b>		COPYRIGHT 2003 WINNEBAGO INDUSTRIES, INC.	
DFTR	ORIG. DATE		
CHKR	ALL DIMENSIONS ARE IN MILLIMETERS		
P.E.			
M.E.	FIRST USED		
DSNR	03 F32V, FORD		
UNSPECIFIED TOLERANCES ARE:		MATERIAL:	
WHOLE DIM (X)	:	7	
ONE-PLACE (X.X)	:		
TWO-PLACE (X.XX)	:		
ANGLE	:		
THIRD ANGLE PROJECTION			
DO NOT SCALE DRAWING			
TITLE: WATER SYSTEM INSTL			
SHEET 1 OF 4	PART NO	141638	
REF: 138430 1 03/27/03			

(X-X)  
FOR  
WATER  
CALLOUTS  
SEE DWG NO  
116230-01-000

HAND HELD SHOWER  
129390-03-CHT  
FAUCET-SHOWER  
131340-02-CHT  
ELBOW  
135028-01-CHT  
SPACER  
130041-01-CHT

BRACKET ASM-SHOWER HEAD  
133727-01-CHT  
PLATE-COVER,SHOWER HEAD  
131549-01-CHT  
VALVE-SHOWER HEAD  
128974-01-CHT (43A)

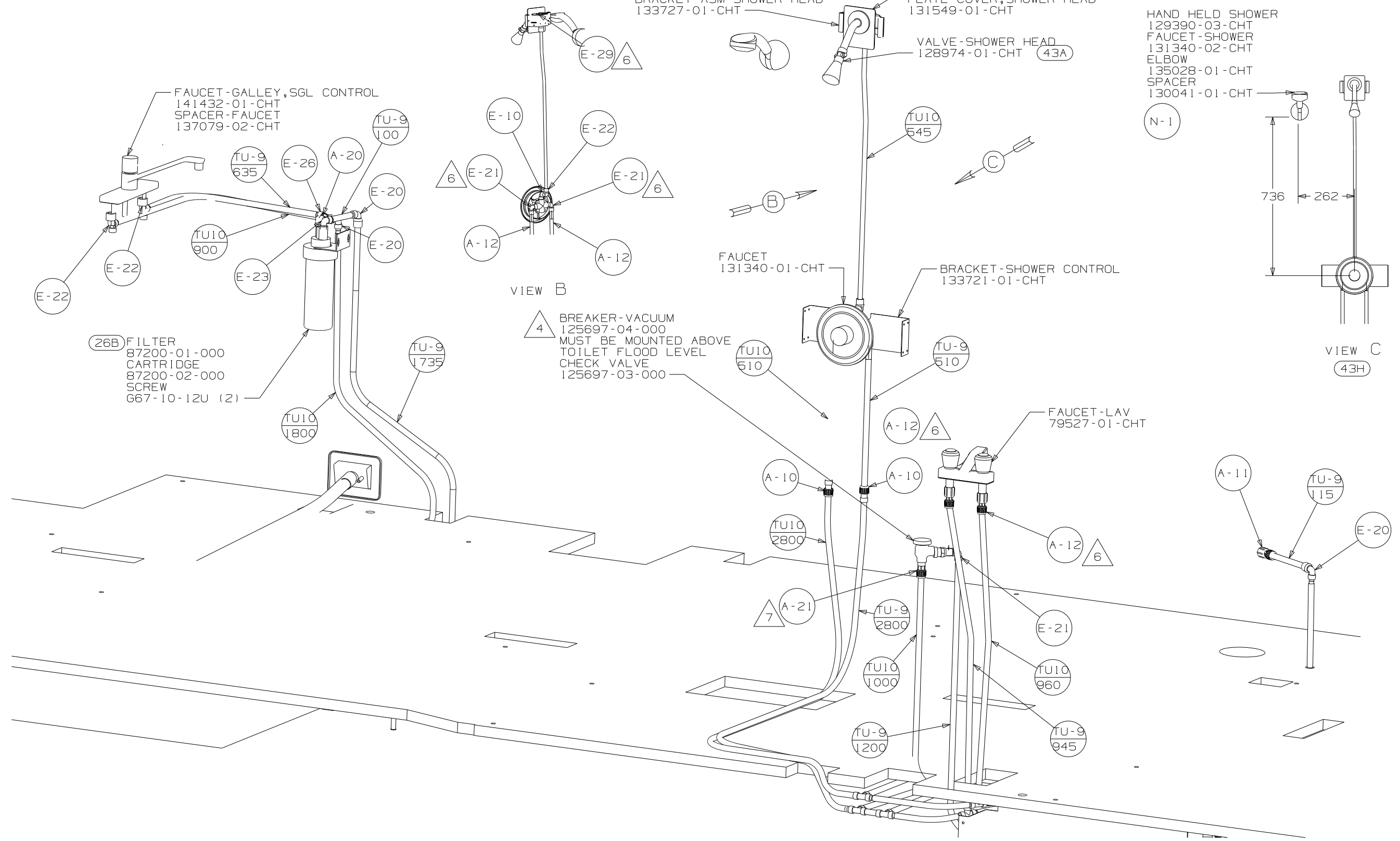
FAUCET-GALLEY, SGL CONTROL  
141432-01-CHT  
SPACER-FAUCET  
137079-02-CHT

FAUCET  
131340-01-CHT  
BRACKET-SHOWER CONTROL  
133721-01-CHT

4 BREAKER-VACUUM  
125697-04-000  
MUST BE MOUNTED ABOVE  
TOILET FLOOD LEVEL  
CHECK VALVE  
125697-03-000

26B FILTER  
87200-01-000  
CARTRIDGE  
87200-02-000  
SCREW  
G67-10-12U (2)

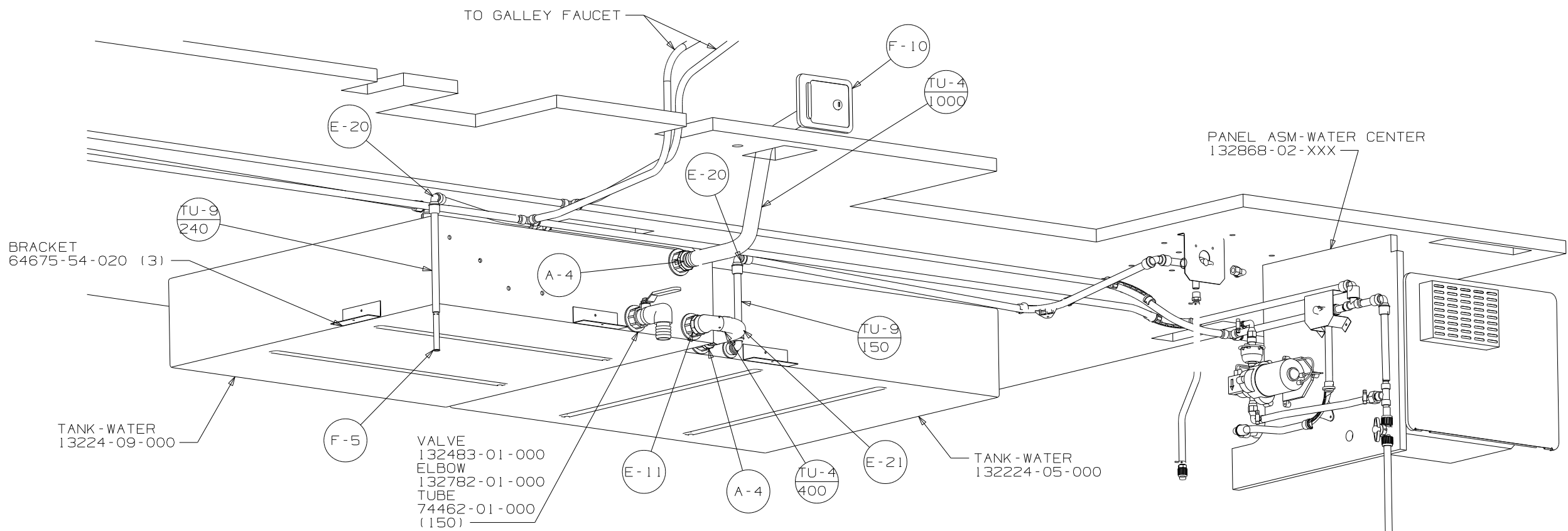
FIRST USED	03 F32V, FORD
TITLE	DO NOT SCALE DRAWING
TITLE	WATER SYSTEM INSTL
SHEET 2	PART NO 141638



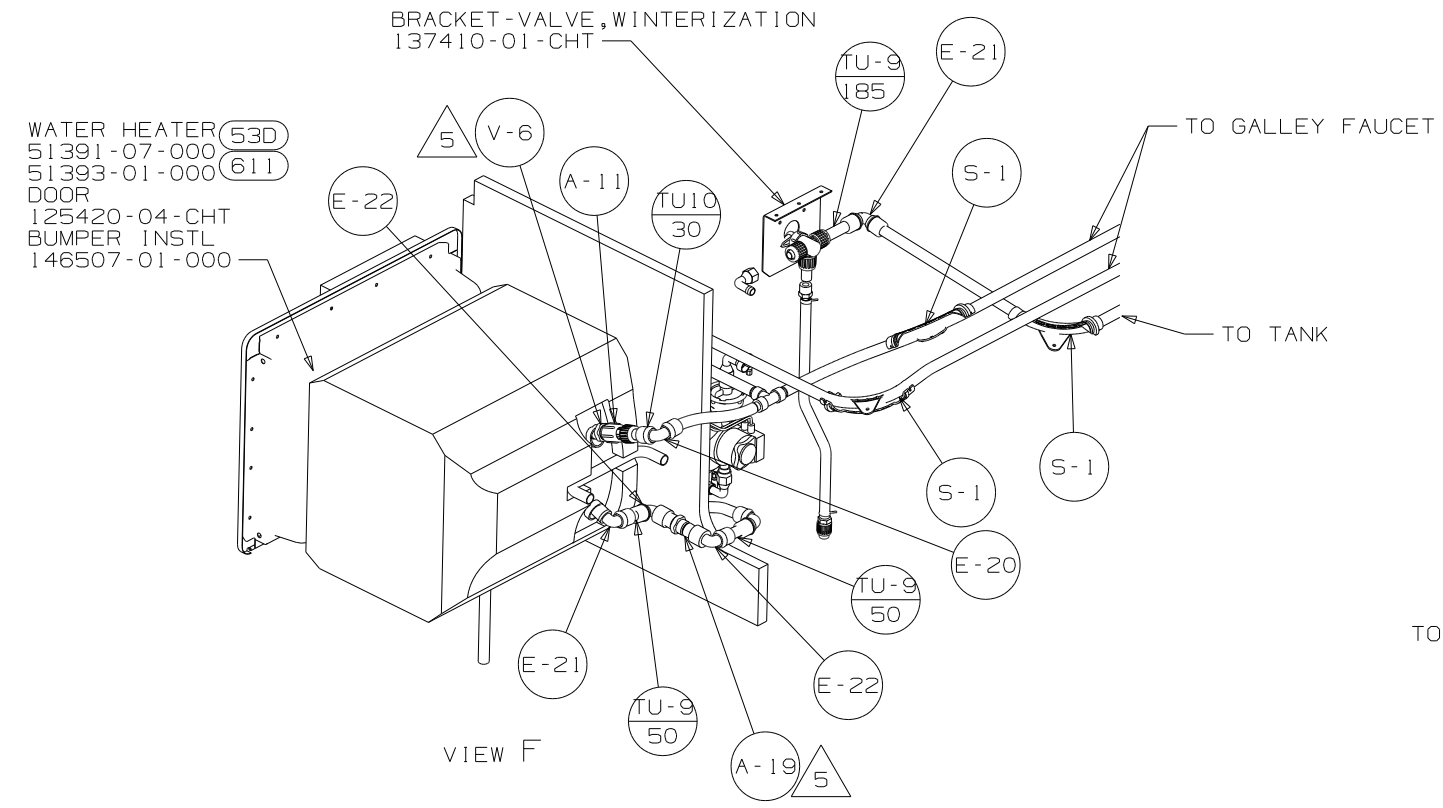
VIEW B

VIEW A

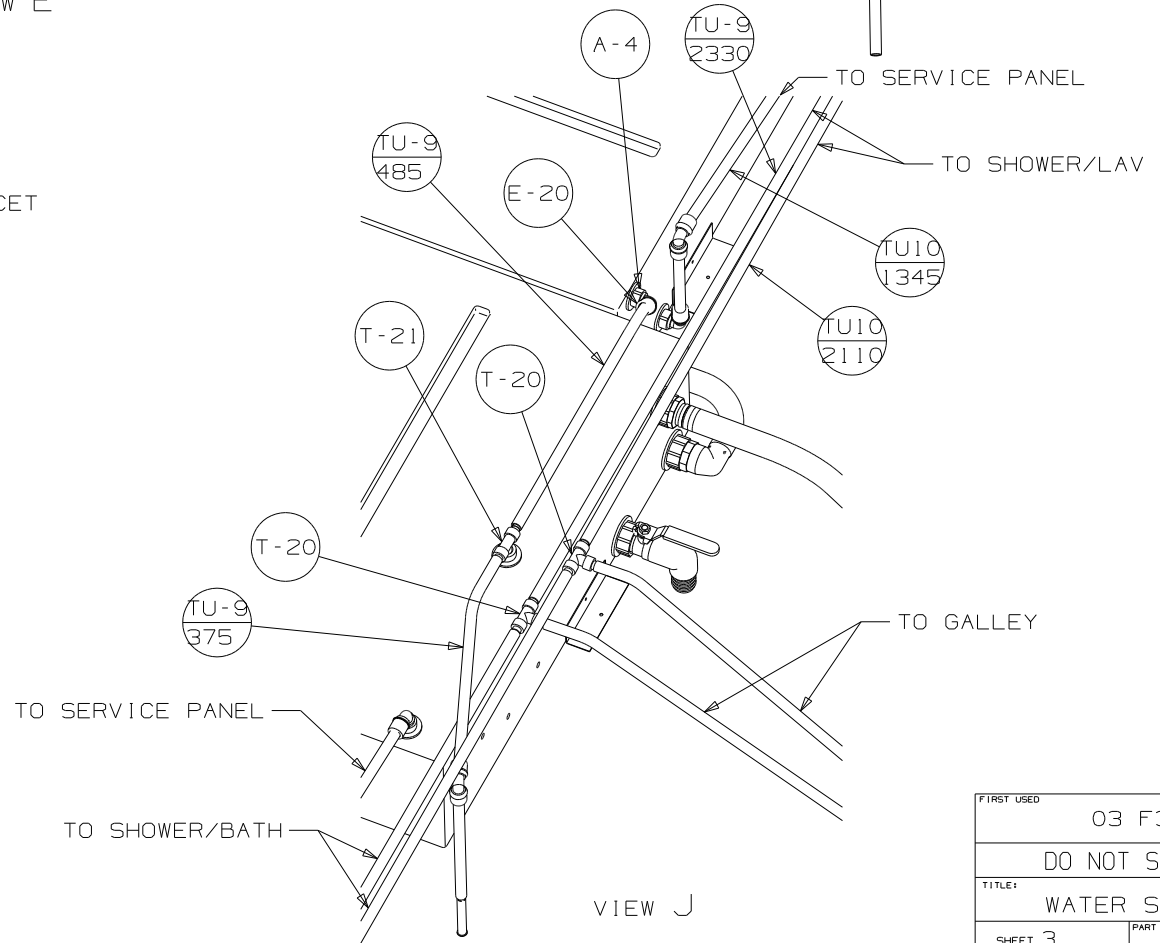
VIEW C  
(43H)



VIEW E

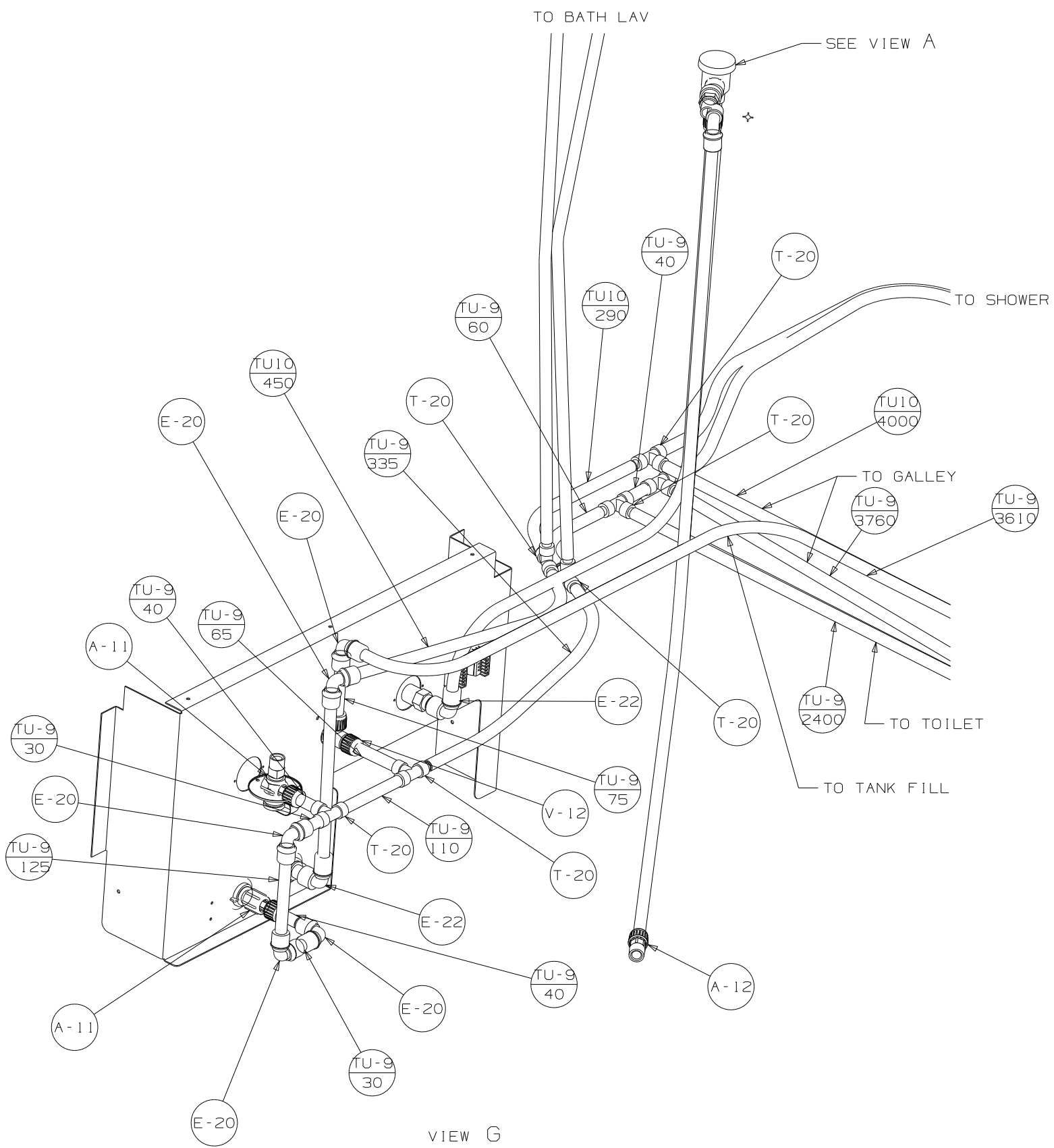


VIEW F



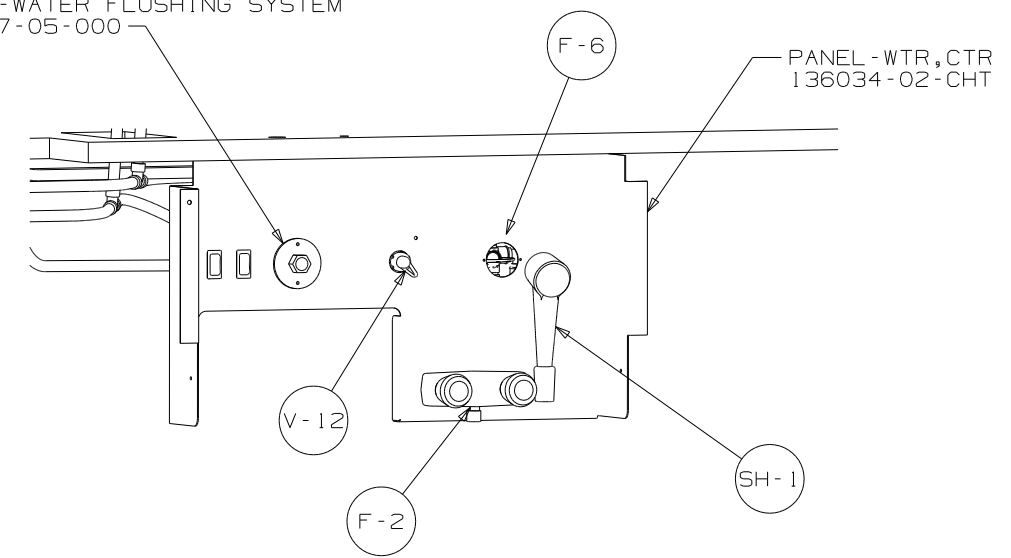
VIEW J

FIRST USED	03 F32V, FORD
TITLE	DO NOT SCALE DRAWING
SHEET 3	PART NO 141638
1 03/27/03	



VIEW G

INLET-WATER FLUSHING SYSTEM  
125697-05-000



VIEW H

FIRST USED	03 F32V, FORD
TITLE	DO NOT SCALE DRAWING
SHEET 4	PART NO 141638