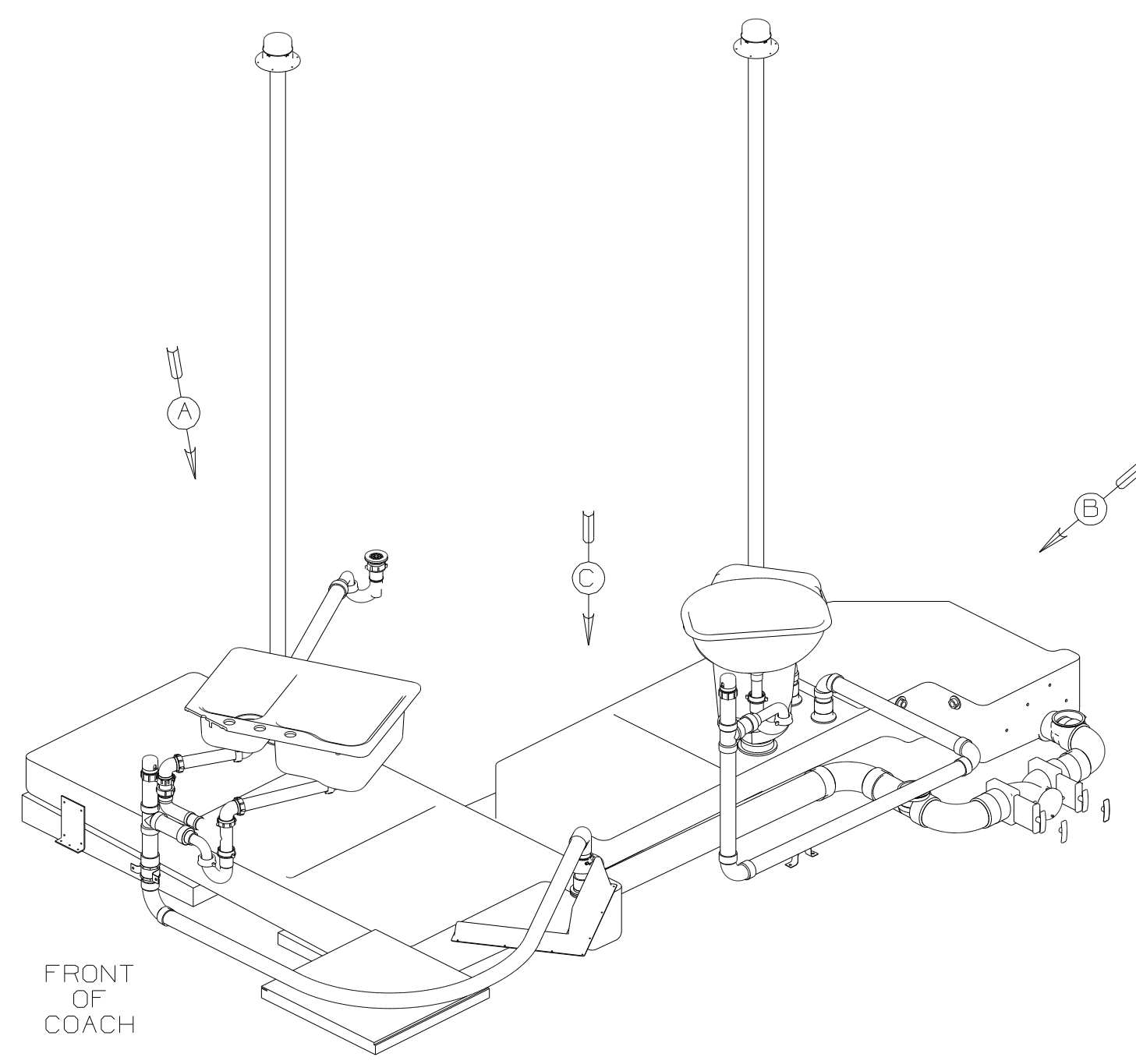


DWG NO	--
143036-01	(WIN)
143036-02	(ITA)

RELEASE	REV DATE	DWG NO
A		143036
REV ZONE	REVISION RECORD	DATE

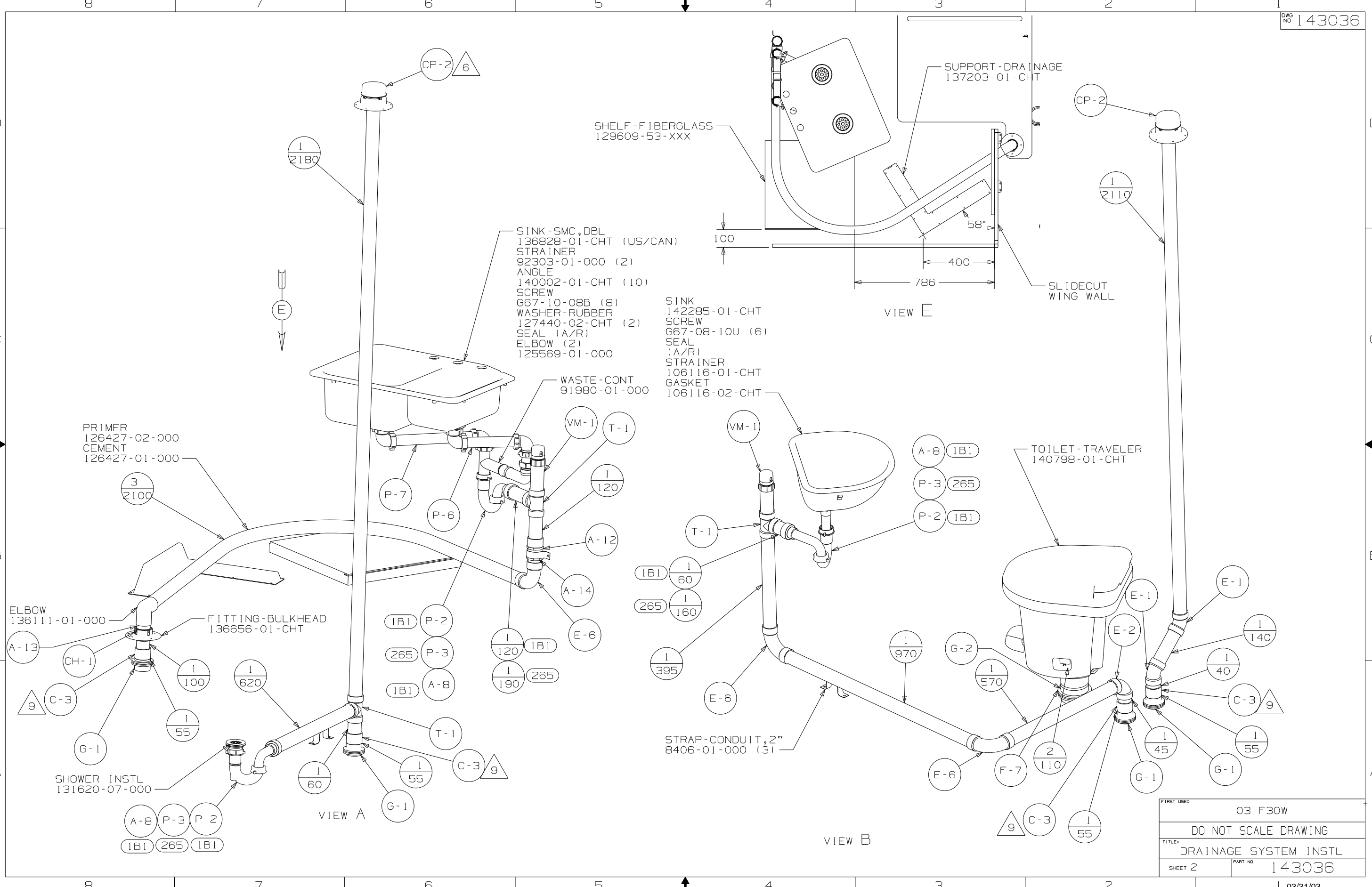


- (WIN) WINNEBAGO ONLY
- (ITA) ITASCA ONLY
- (IBI) CODES/STANDARDS USA
- (265) CODES/STDS-CSA/CMVSS

- NOTES:
9. SECURE PIPES TO FLOOR USING BRACKET 136878-01-CHT (3) CLAMP 62401-02-000 (3) AND SCREW G67-10-12B (3).
  8. SECURE PIPES TO CABINET USING WIRE TIE 108046-02-000 AND SCREW G67-10-12U (8).
  7. SEE DWG 61607-01-000 FOR INSTL OF GROMMET.
  6. VENT PIPE MUST PROJECT 51 MIN AND 64 MAX ABOVE ROOF FOR PROPER FIT AND FUNCTION.
  5. SEAL AROUND SHOWER WITH SILICONE.
  4. ALL EXTERIOR OPENINGS AROUND PIPE TO BE SEALED WITH 110744-01-000.
  3. ALL PIPE AND FITTINGS TO BE ASSEMBLED WITH SOLVENT 4020-01-000.
  2. SLOPE OF TRAP ARM MUST BE 6 PER 305 mm.
  1. SLOPE OF HORIZONTAL PIPING TO BE MIN 3 PER 305 mm.

(X-X)  
FOR DRAINAGE CALLOUTS SEE DWG NO 116229-01-000

<b>WINNEBAGO</b>		COPYRIGHT 2003 WINNEBAGO INDUSTRIES, INC.	
DFT	ORIG. DATE	ALL DIMENSIONS ARE IN MILLIMETERS	
CHKR		FIRST USED	
P.E.		03 F30W	
M.E.			
DSNR			
UNSPECIFIED TOLERANCES ARE:		MATERIAL:	
WHOLE DIM (X)	: 5		
ONE-PLACE (X.X)	:		
TWO-PLACE (X.XX)	:		
ANGLE	:		
THIRD ANGLE PROJECTION			
DO NOT SCALE DRAWING			
TITLE: DRAINAGE SYSTEM INSTL			
SHEET 1 OF 3	PART NO	143036	
REF: 137641   03/31/03			



SHELF - FIBERGLASS  
129609-53-XXX

SUPPORT - DRAINAGE  
137203-01-CHT

CP-2

1/2110

SLIDEOUT  
WING WALL

SINK - SMC, DBL  
136828-01-CHT (US/CAN)  
STRAINER  
92303-01-000 (2)  
ANGLE  
140002-01-CHT (10)  
SCREW  
G67-10-08B (8)  
WASHER - RUBBER  
127440-02-CHT (2)  
SEAL (A/R)  
ELBOW (2)  
125569-01-000

SINK  
142285-01-CHT  
SCREW  
G67-08-10U (6)  
SEAL  
(A/R)  
STRAINER  
106116-01-CHT  
GASKET  
106116-02-CHT

WASTE - CONT  
91980-01-000

TOILET - TRAVELER  
140798-01-CHT

PRIMER  
126427-02-000  
CEMENT  
126427-01-000

ELBOW  
136111-01-000

FITTING - BULKHEAD  
136656-01-CHT

STRAP - CONDUIT, 2"  
8406-01-000 (3)

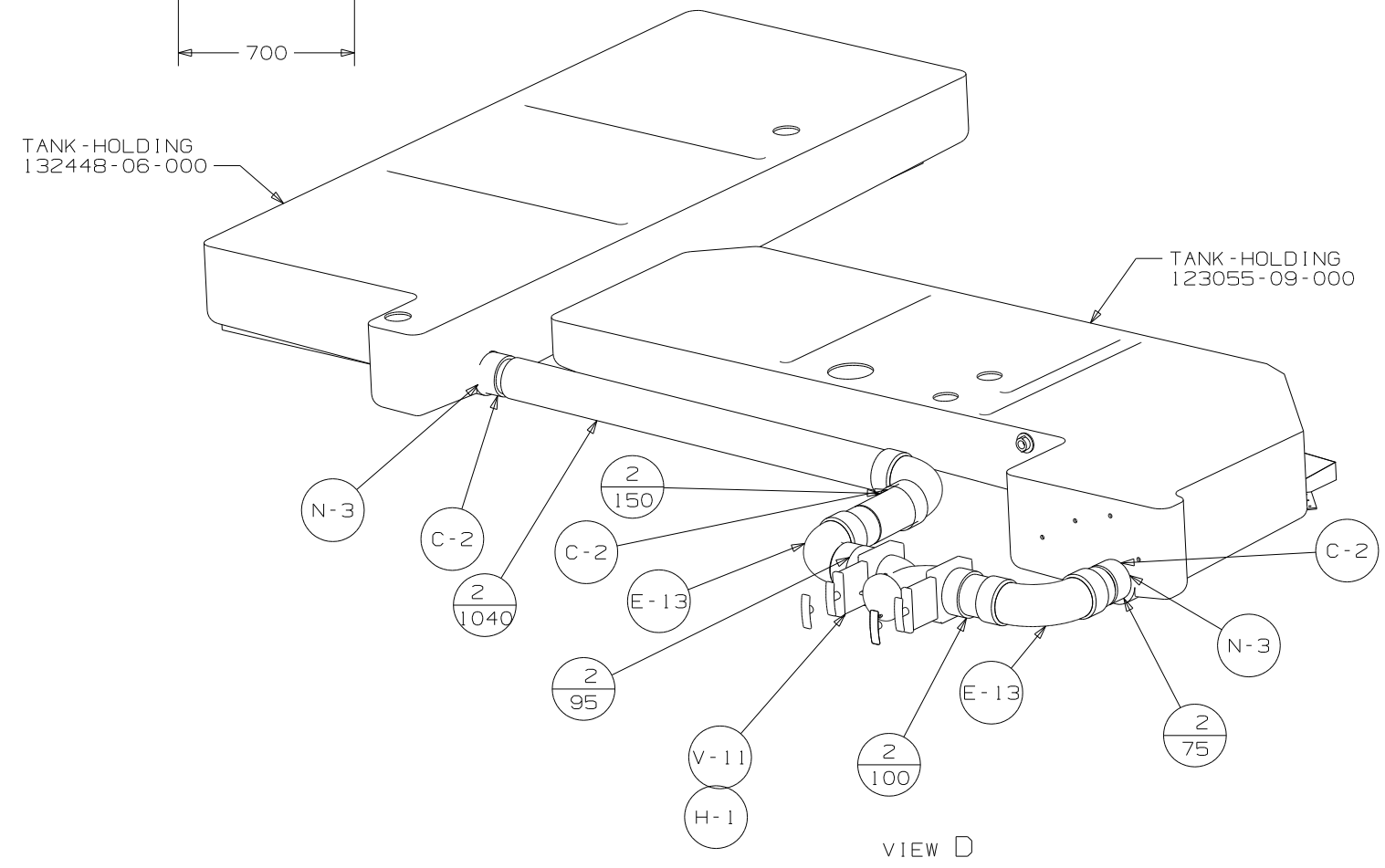
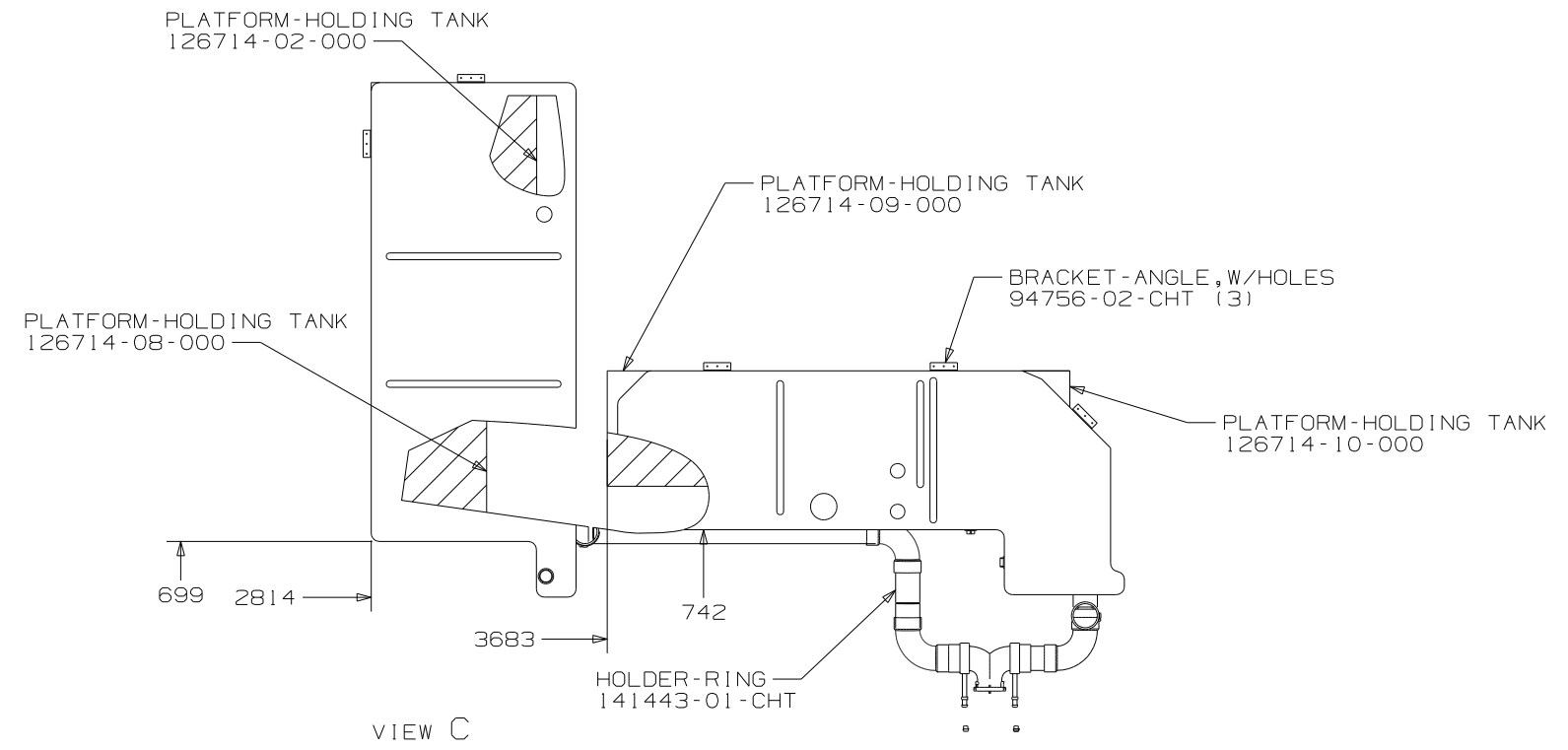
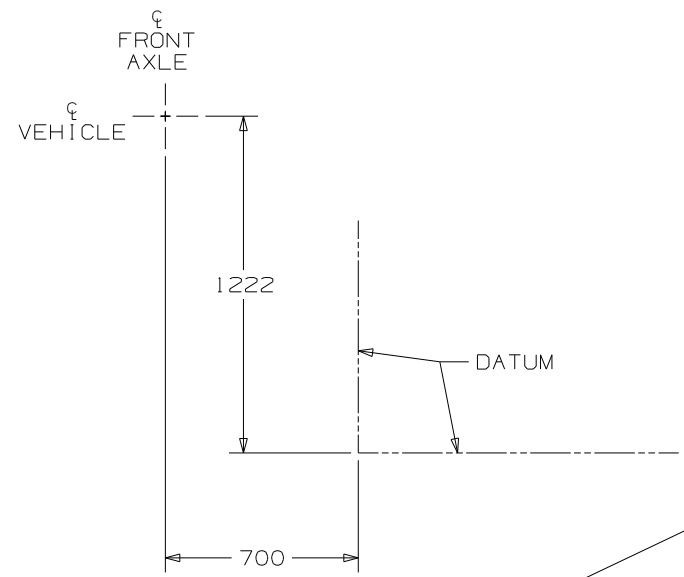
SHOWER INSTL  
131620-07-000

VIEW A

VIEW E

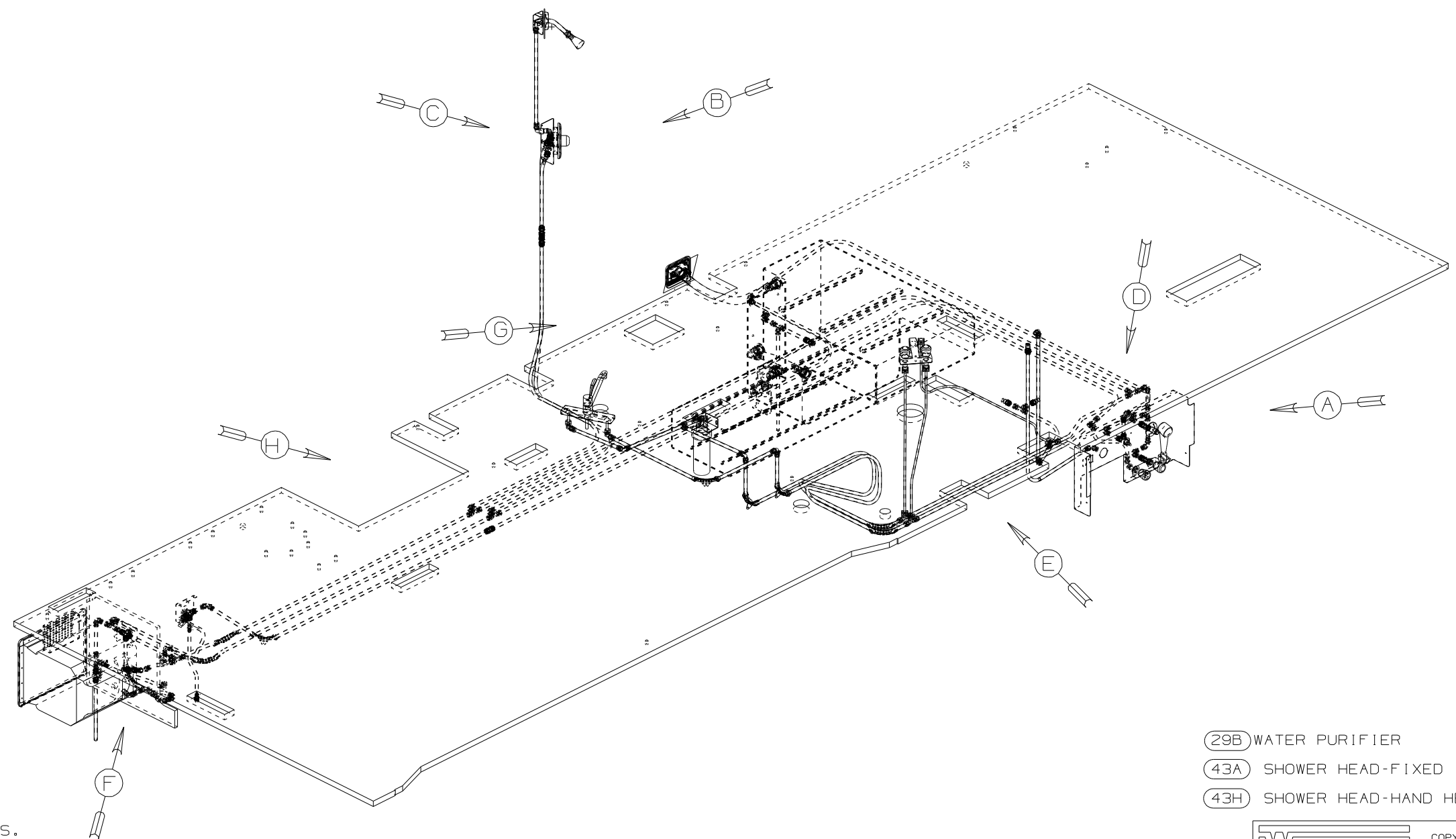
VIEW B

FIRST USED	03 F30W
DO NOT SCALE DRAWING	
TITLE	DRAINAGE SYSTEM INSTL
SHEET 2	PART NO 143036



FIRST USED	03 F30W
TITLE	DO NOT SCALE DRAWING
SHEET 3	PART NO 143036
1 03/31/03	

8 7 6 5 4 3 2 1



- (29B) WATER PURIFIER
- (43A) SHOWER HEAD-FIXED
- (43H) SHOWER HEAD-HAND HELD

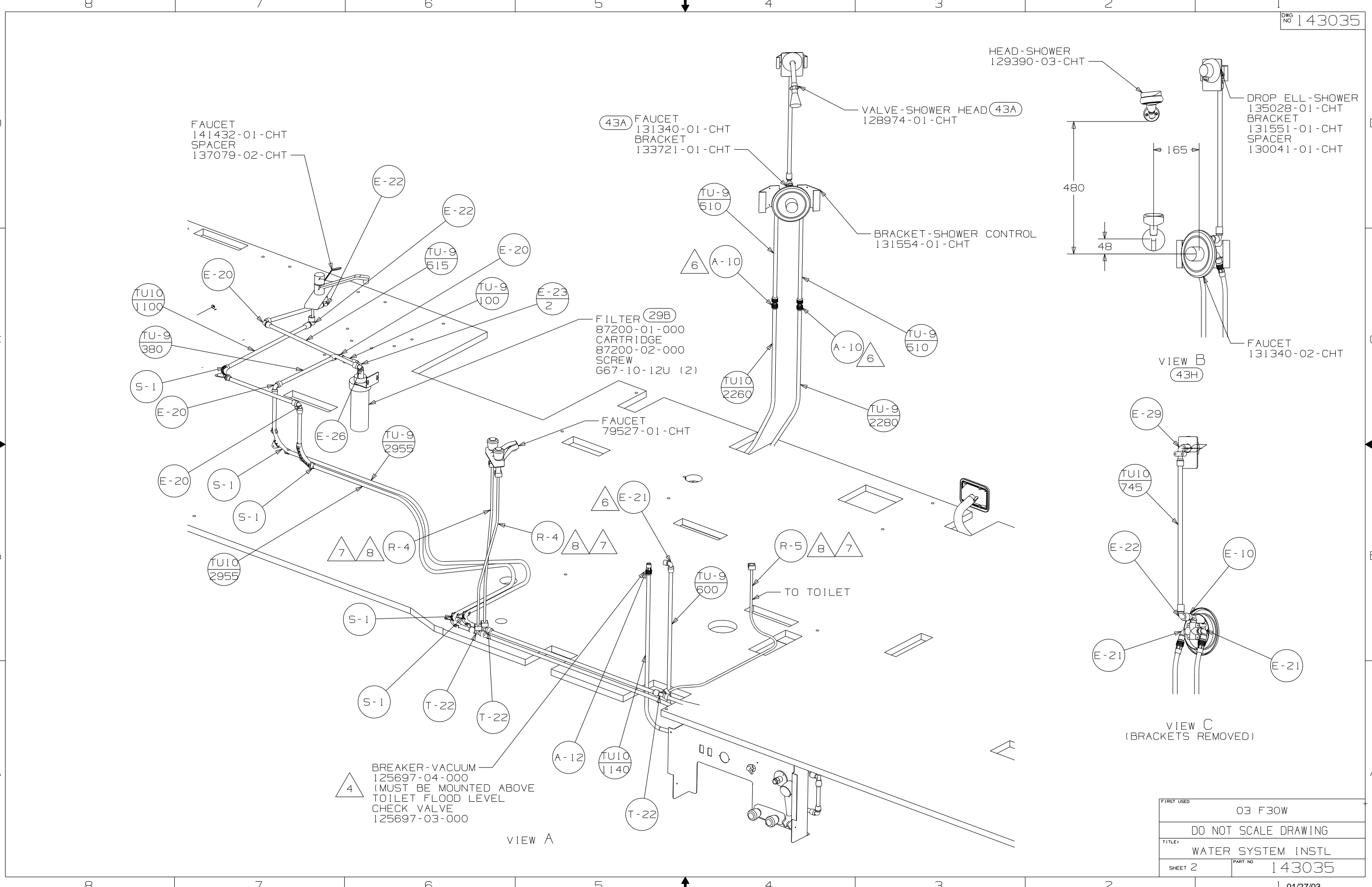
- 8 LABEL HOT AND COLD SUPPLY TUBES.
  - 7 TAPE FITTING TO TUBE BEFORE CABINET SET TO PREVENT FITTING FROM MOVING.
  - 6 ADD TEFLON TAPE 10405-01-000.
  - 5 ADD TEFLON TAPE 10405-02-000.
  - 4 FLUSHING SYSTEM REQUIRES 125697-06-000 INSTRUCTION SHEET.
3. ALL TUBING TO BE SECURED AT 1200 INTERVALS MAXIMUM WITH CLAMP 10495-01-000 OR CLIP 9151-01-000 AND SCREW G67-10-12B.
2. TUBING TO BE INSTALLED WITH SUFFICIENT SLOPE TO PROVIDE DRAINAGE TO NEAREST VALVE.
1. PLASTIC FITTINGS TO BE SEALED WITH SEALANT 84456-01-000.

NOTES:

<b>WINNEBAGO</b>		COPYRIGHT 2003 WINNEBAGO INDUSTRIES, INC.	
DFT	ORIG. DATE	ALL DIMENSIONS ARE IN MILLIMETERS	
CHKR		FIRST USED	
P.E.		03 F30W	
M.E.		UNSPECIFIED TOLERANCES ARE:	
DSNR		MATERIAL:	
		WHOLE DIM (X)	: 7
		ONE-PLACE (X.X)	:
		TWO-PLACE (X.XX)	:
		ANGLE	:
THIRD ANGLE PROJECTION		DO NOT SCALE DRAWING	
TITLE: WATER SYSTEM INSTL			
SHEET 1 OF 4		PART NO 143035	

(X-X)  
FOR  
WATER  
CALLOUTS  
SEE DWG NO  
116230-01-000

8 7 6 5 4 3 2 1



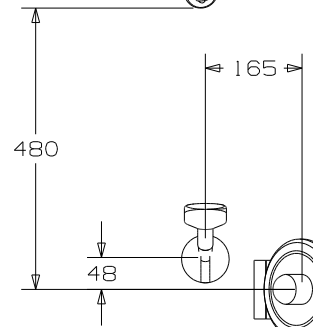
FAUCET  
141432-01-CHT  
SPACER  
137079-02-CHT

43A FAUCET  
131340-01-CHT  
BRACKET  
133721-01-CHT

HEAD-SHOWER  
129390-03-CHT

VALVE-SHOWER HEAD 43A  
128974-01-CHT

DROP ELL-SHOWER  
135028-01-CHT  
BRACKET  
131551-01-CHT  
SPACER  
130041-01-CHT



VIEW B  
43H

FILTER 29B  
87200-01-000  
CARTRIDGE  
87200-02-000  
SCREW  
G67-10-12U (2)

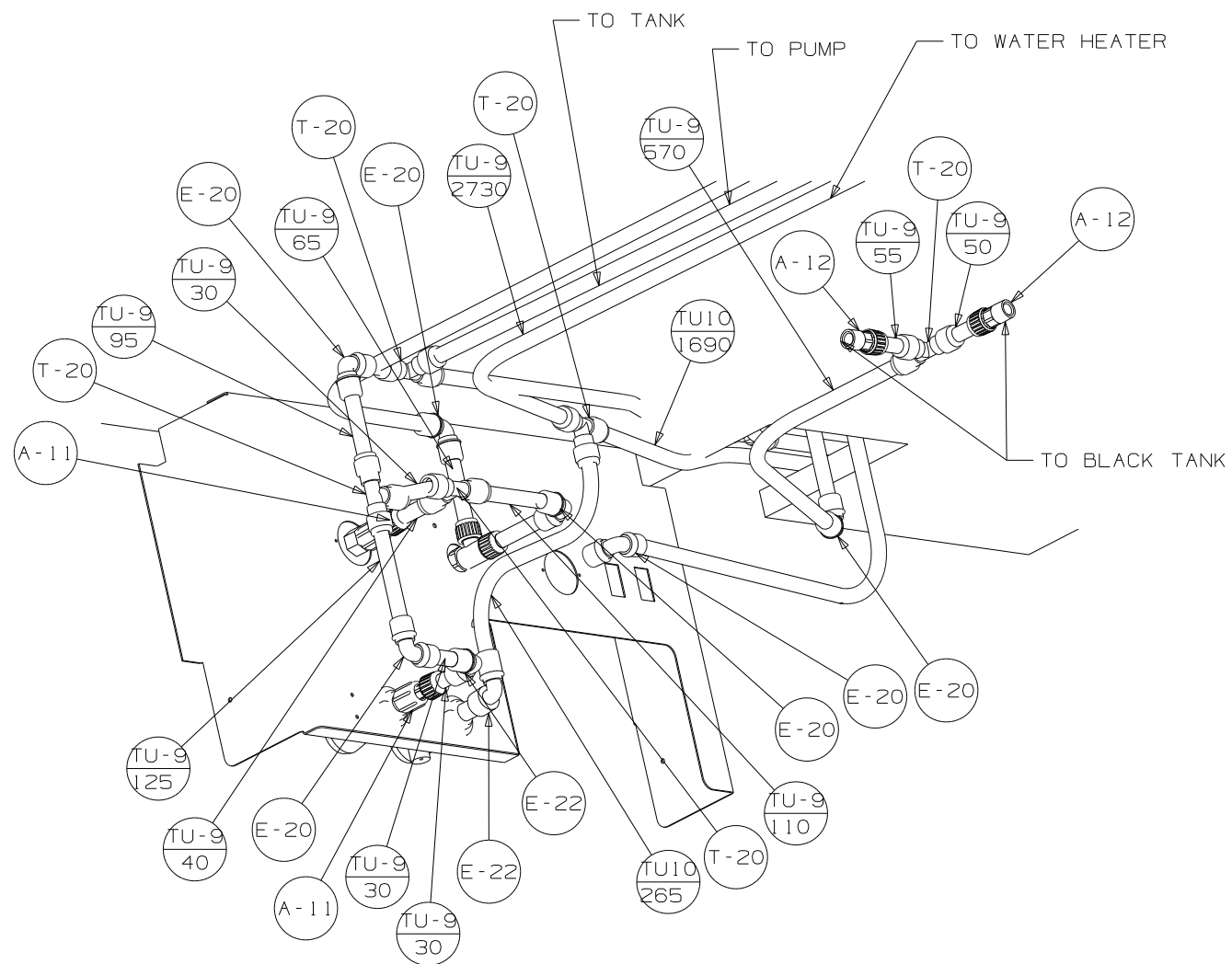
FAUCET  
79527-01-CHT

4 BREAKER-VACUUM  
125697-04-000  
(MUST BE MOUNTED ABOVE  
TOILET FLOOD LEVEL)  
CHECK VALVE  
125697-03-000

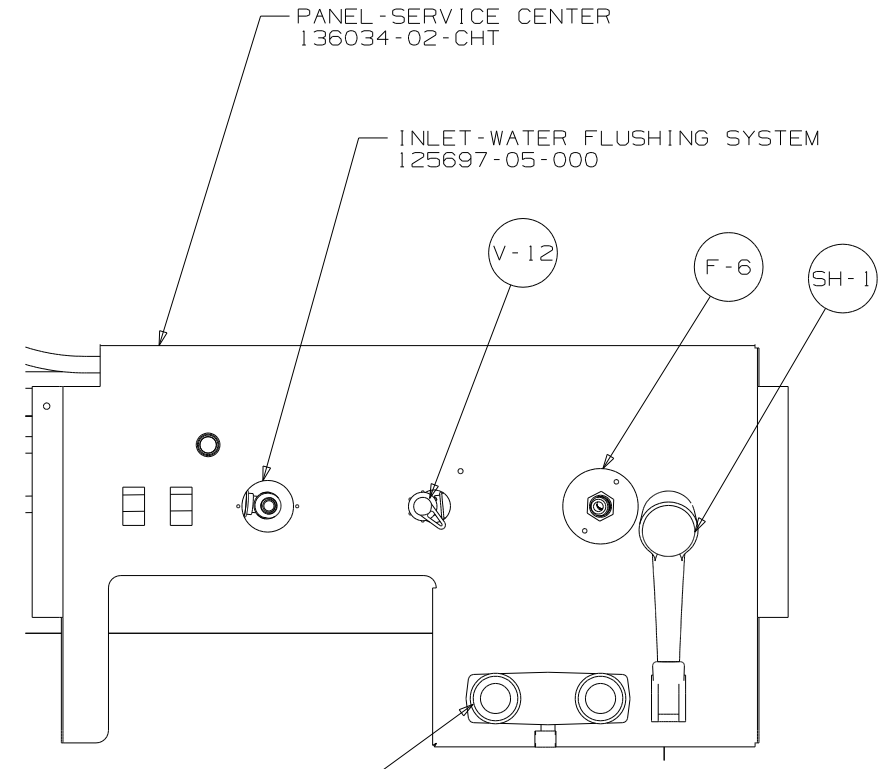
VIEW A

VIEW C  
(BRACKETS REMOVED)

FIRST USED	03 F30W
TITLE	DO NOT SCALE DRAWING
TITLE	WATER SYSTEM INSTL
SHEET 2	PART NO 143035



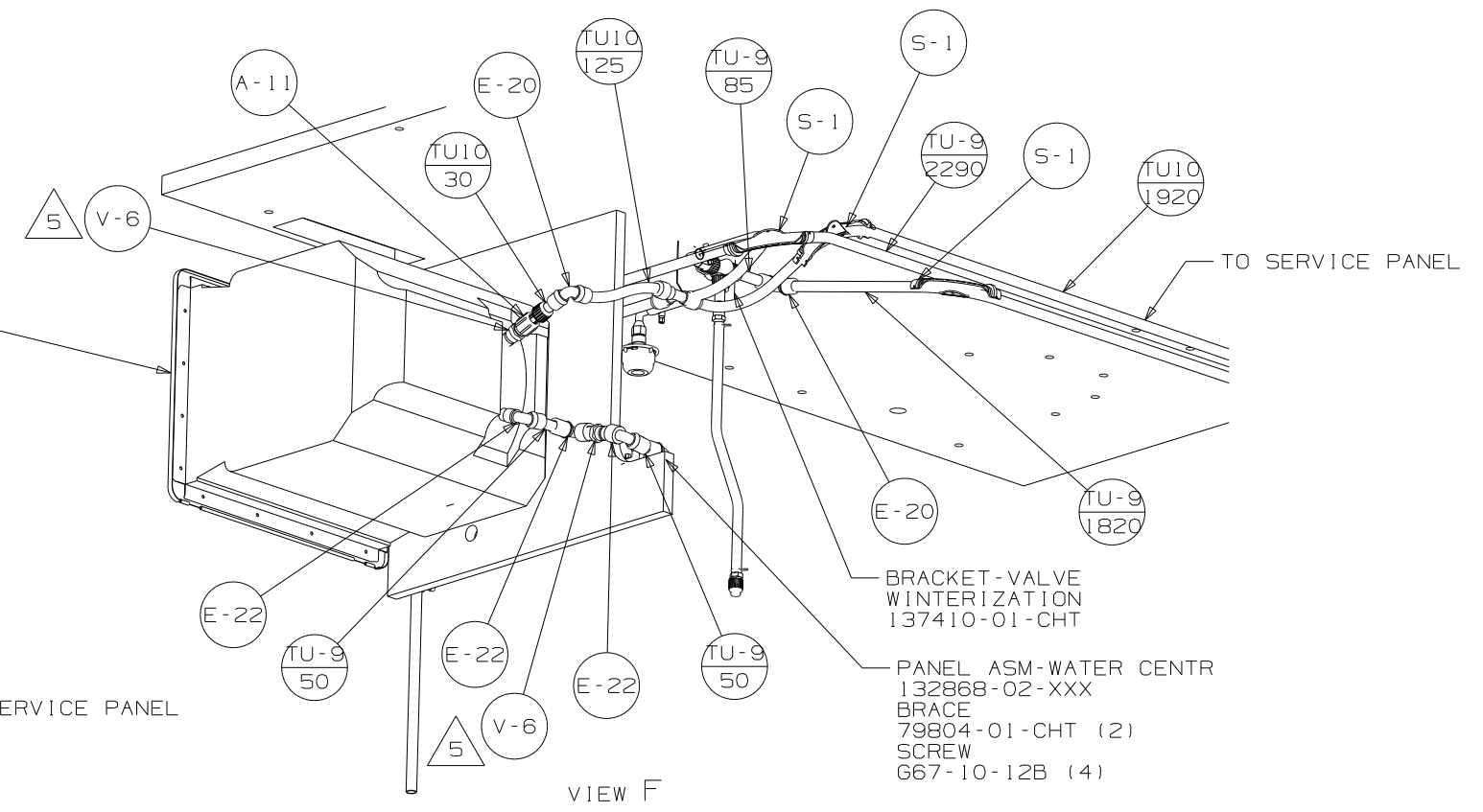
VIEW D



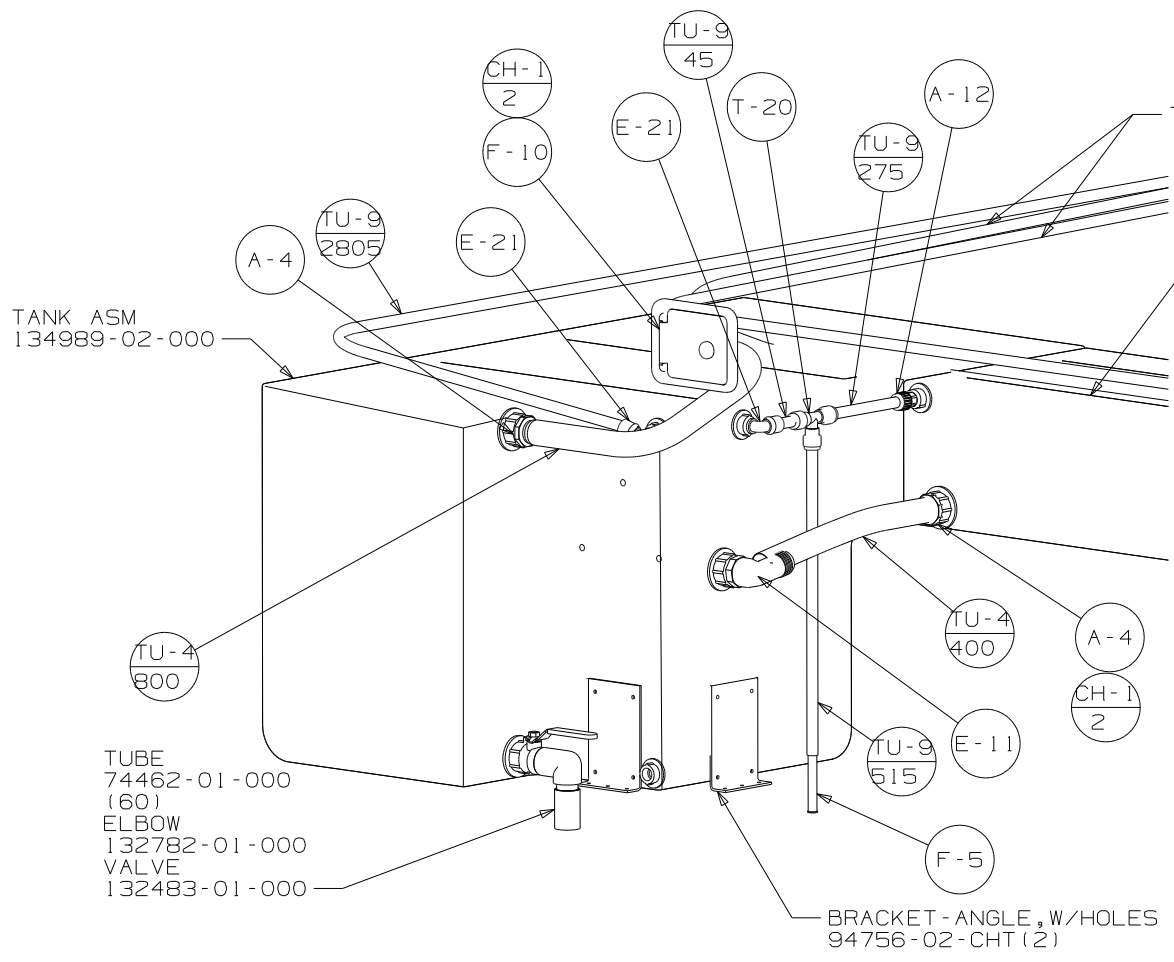
VIEW E

FIRST USED	03 F30W
TITLE	DO NOT SCALE DRAWING
SHEET 3	PART NO 143035

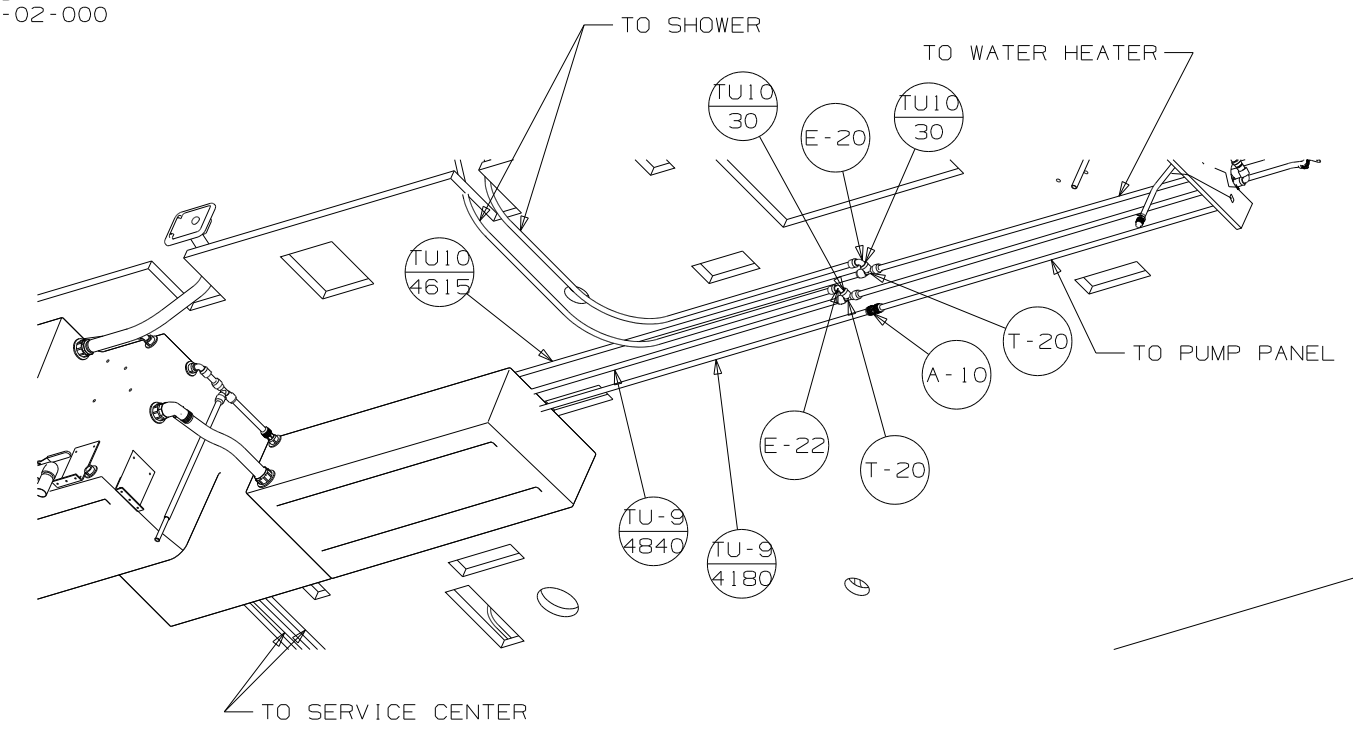
- (611) WATER HEATER  
51393-01-000
- (53D) 51391-07-000  
DOOR  
125420-04-CHT  
BUMPER INSTL  
146507-01-000



VIEW F



VIEW G  
(FLOOR REMOVED)



VIEW H

FIRST USED	
DO NOT SCALE DRAWING	
TITLE: WATER SYSTEM INSTL	
SHEET 4	PART NO 143035