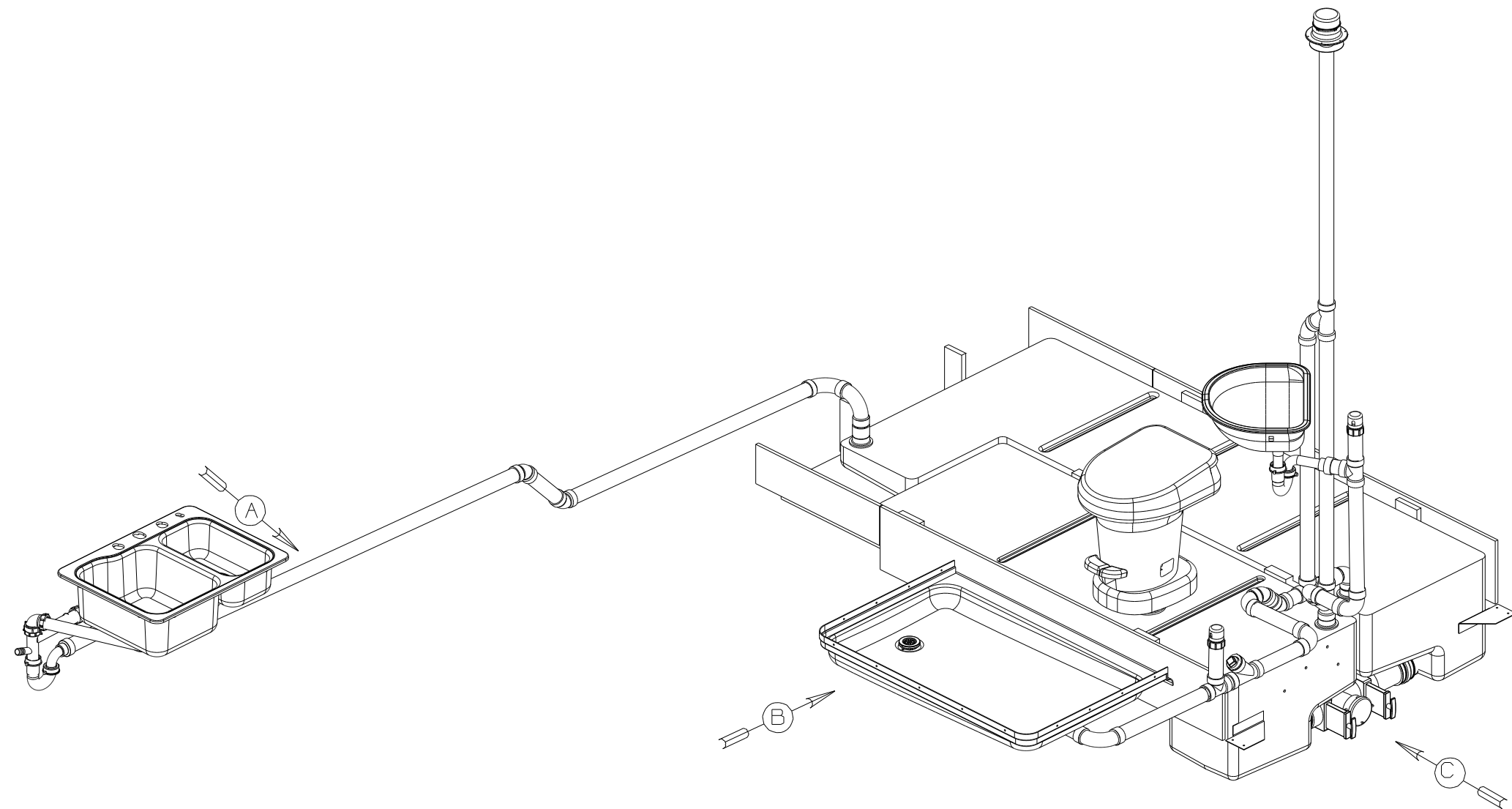


8 7 6 5 4 3 2



FRONT OF COACH

- 8 TRIM P-TRAP EXTENSION TO FIT.
- 7 VALVE TERMINATION TEE TO BE POSITIONED AT 10° DOWN AND OUTBOARD.
- 6. SEAL AROUND SHOWER WITH SILICONE.
- 5. ALL EXTERIOR OPENINGS AROUND PIPE TO BE SEALED WITH 110744-01-000.
- 4. ALL PIPE AND FITTING TO BE ASSEMBLED WITH SOLVENT 4020-01-000.
- 3. SLOPE OF TRAP ARM MUST BE 6 PER 305 mm.
- 2. SLOPE OF HORIZONTAL PIPING TO BE 6 PER 305 mm.
- 1 VENT PIPE MUST PROJECT 51 MIN AND 64 MAX ABOVE ROOF FOR PROPER FIT.

NOTES:

(265) CODES/STDS-CSA/CMVSS
 (1B1) CODES/STANDARDS-USA



DFTR	ORIG. DATE
CHKR	ALL DIMENSIONS ARE IN MILLIMETERS
P.E.	
M.E.	FIRST USED
DSNR	03 D33L
UNSPECIFIED TOLERANCES ARE:	MATERIAL:
HOLE DIM (X)	: 3
ONE-PLACE (X.X)	:
TWO-PLACE (X.XX)	:
ANGLE	:
THIRD ANGLE PROJECTION	

(X-X)
 FOR DRAINAGE CALLOUTS
 SEE DWG NO 116229-01-000

DO NOT SCALE DRAWING
 TITLE: DRAINAGE SYSTEM INSTL
 SHEET 1 OF 3 PART NO 143148

8 7 6 5 4 3 2

SINK - SMC, DBL
 136828-03-CHT (US/CAN)
 STRAINER
 92303-01-000 (2)
 ANGLE
 140002-01-CHT (10)
 SCREW
 G67-01-08B (8)
 WASHER
 127440-02-CHT (2)
 SEAL
 (A/R)

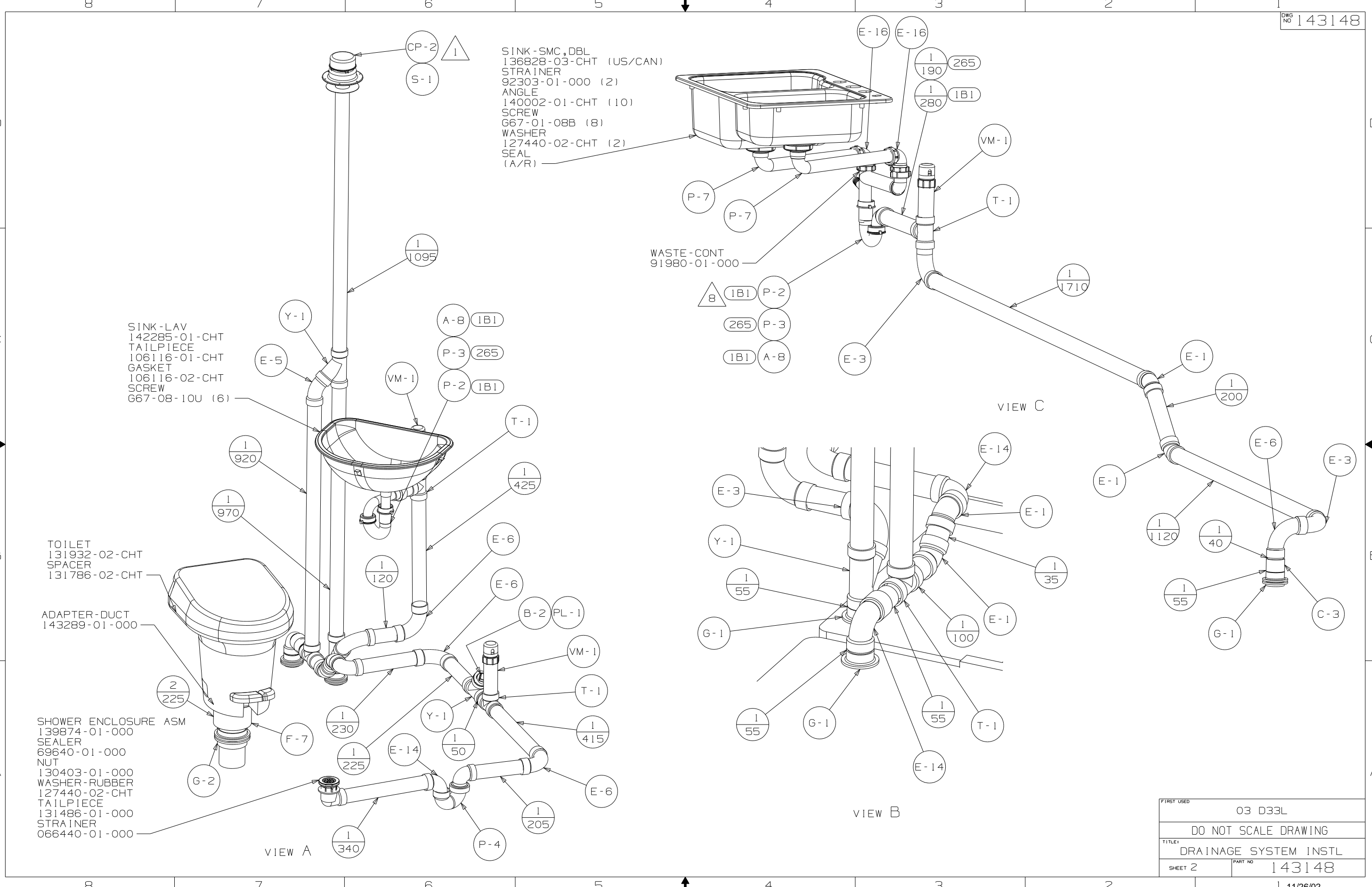
SINK-LAV
 142285-01-CHT
 TAILPIECE
 106116-01-CHT
 GASKET
 106116-02-CHT
 SCREW
 G67-08-10U (6)

TOILET
 131932-02-CHT
 SPACER
 131786-02-CHT

ADAPTER-DUCT
 143289-01-000

SHOWER ENCLOSURE ASM
 139874-01-000
 SEALER
 69640-01-000
 NUT
 130403-01-000
 WASHER-RUBBER
 127440-02-CHT
 TAILPIECE
 131486-01-000
 STRAINER
 066440-01-000

WASTE-CONT
 91980-01-000



FIRST USED	03 D33L
DO NOT SCALE DRAWING	
TITLE	DRAINAGE SYSTEM INSTL
SHEET 2	PART NO 143148

FOAM-SUPPORT, HOLDING TANK
130223-02-000
(1219 X 548 X 56 X 27)

INSULATION-DRAINAGE COMPT
120050-47-000 (2)
(200 X 80 X 1.5")

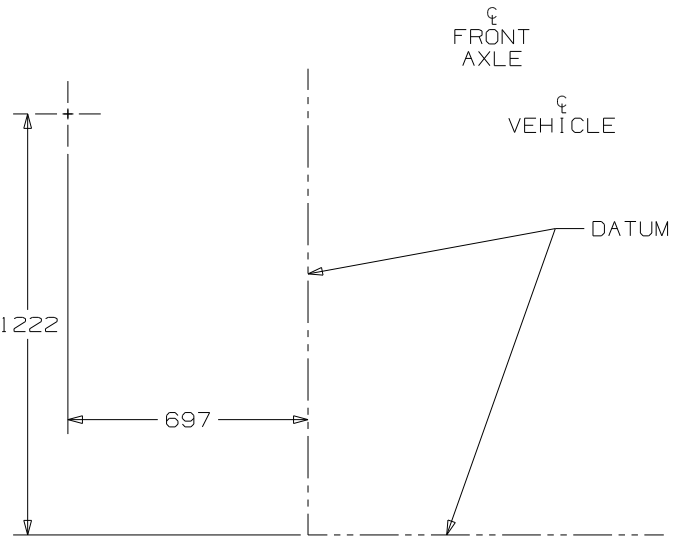
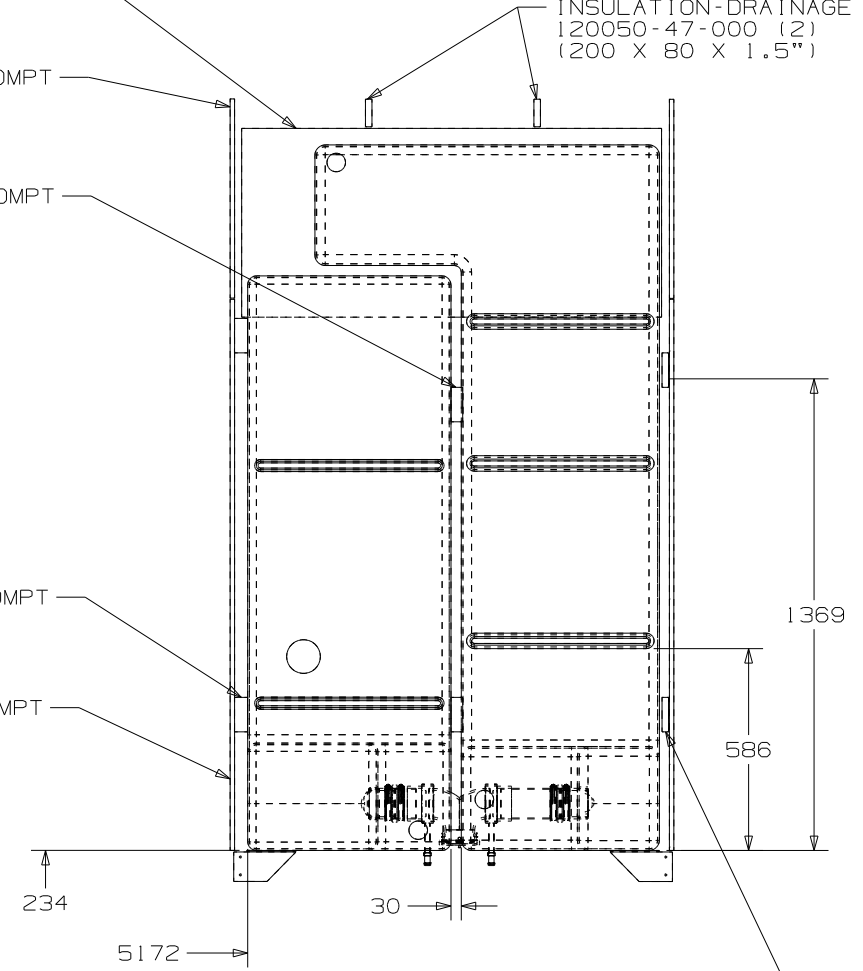
INSULATION-DRAINAGE COMPT
120050-45-000 (2)
(578 X 150 X .5")

INSULATION-DRAINAGE COMPT
120050-43-000 (2)
(200 X 100 X 1.34")

INSULATION-DRAINAGE COMPT
120050-44-000 (2)
(200 X 100 X 1.5")

INSULATION-DRAINAGE COMPT
120050-49-000 (2)
(1600 X 240 X .5")

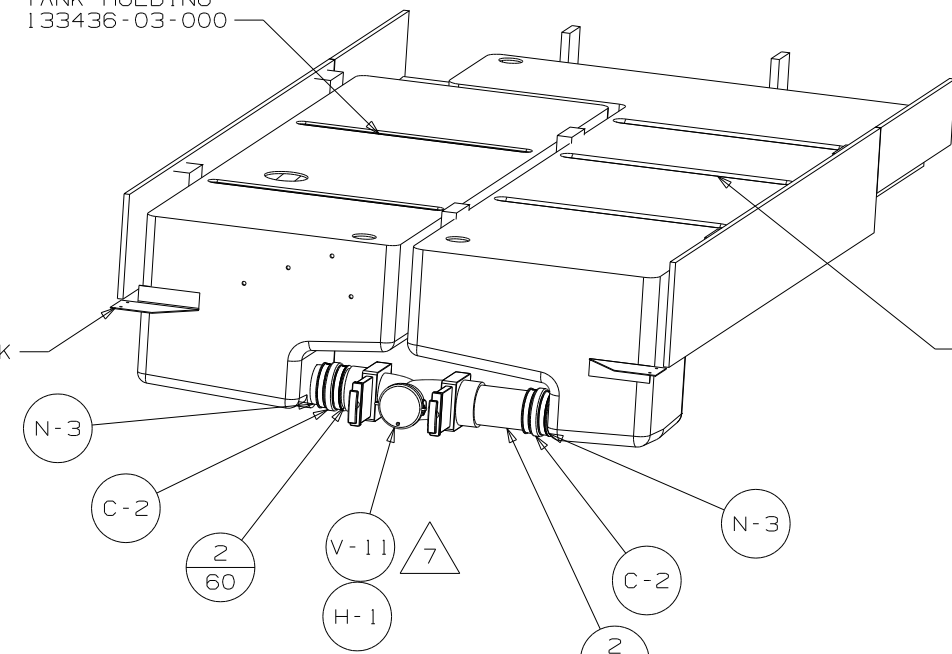
INSULATION-DRAINAGE COMPT
120050-42-000 (2)
(200 X 100 X .75")



TANK-HOLDING
133436-03-000

TANK-HOLDING
133437-03000

BRACKET-TIEDOWN, WATER TANK
139004-01-CHT (2)
SCREW
G39-08-16B (4)



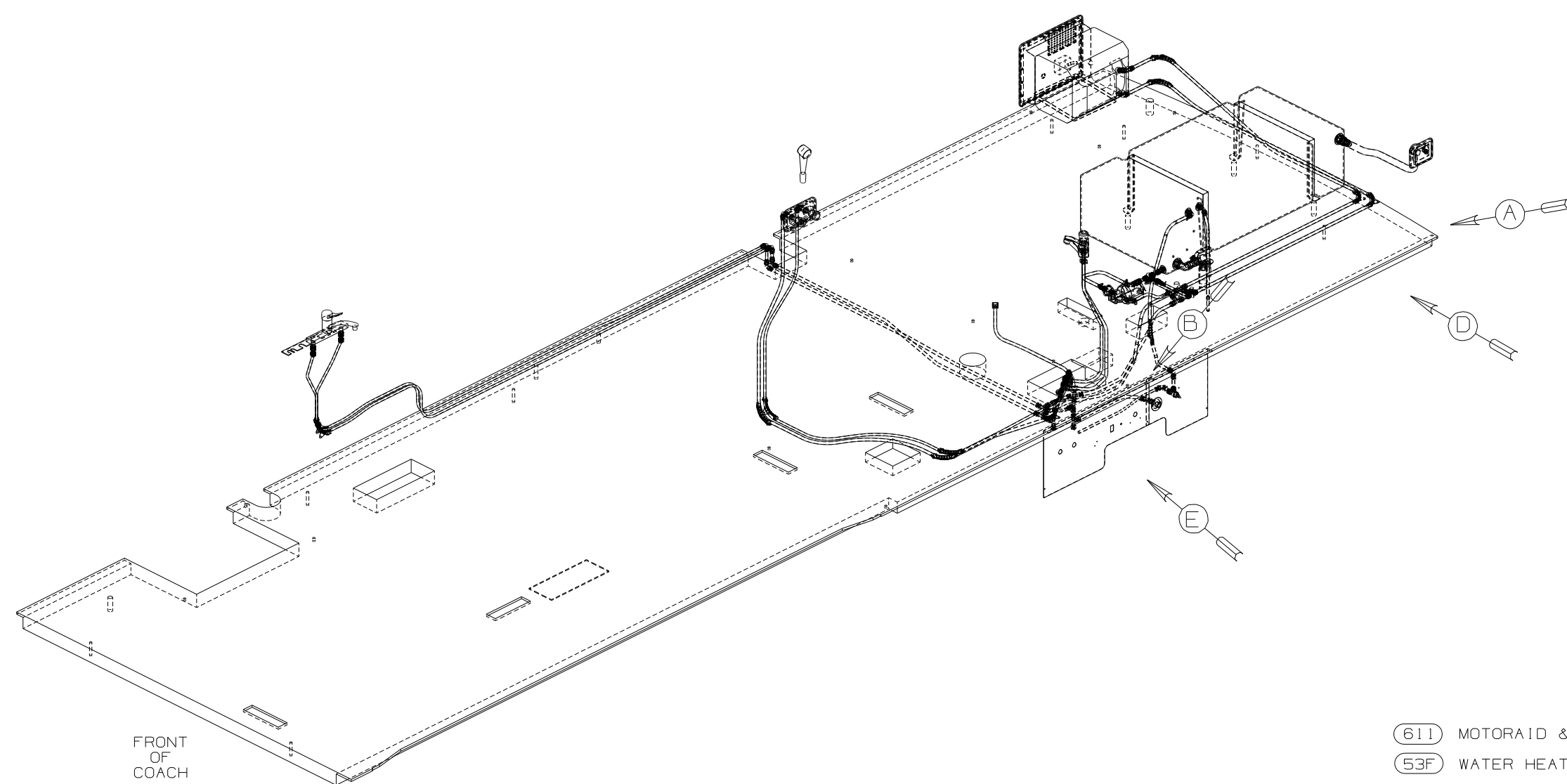
VIEW D

VIEW E

FIRST USED	03 D33L
TITLE	DO NOT SCALE DRAWING
TITLE	DRAINAGE SYSTEM INSTL
SHEET 3	PART NO 143148

8 7 6 5 4 3 2

RELEASE	REV DATE	DWG NO
A		143214
REV ZONE	REVISION RECORD	DATE DFR-016



FRONT OF COACH

- (611) MOTORAID & AUX. HEATER
- (53F) WATER HEATER-ELEC. IGNITION
- (64R) EXTERIOR WASH STATION
- (1J4) EXT WASH STATION-WITHOUT

- 9 ADD TEFLON TAPE 10405-03-000.
- 8 LABEL HOT AND COLD SUPPLY TUBES.
- 7 TAPE FITTING TO TUBE BEFORE CABINET SET TO PREVENT FITTING FROM MOVING.
- 6 ADD TEFLON TAPE 10405-01-000.
- 5 ADD TEFLON TAPE 10405-02-000.
- 4 FLUSHING SYSTEM REQUIRES 125697-06-000 INSTRUCTION SHEET.

- 3. ALL TUBING TO BE SECURED AT 1200 INTERVALS MAXIMUM WITH CLAMP 10495-01-000 OR CLIP 9151-01-000 AND SCREW 667-10-12B.
- 2. TUBING TO BE INSTALLED WITH SUFFICIENT SLOPE TO PROVIDE DRAINAGE TO NEAREST VALVE.
- 1. PLASTIC FITTINGS TO BE SEALED WITH SEALANT 84456-01-000.

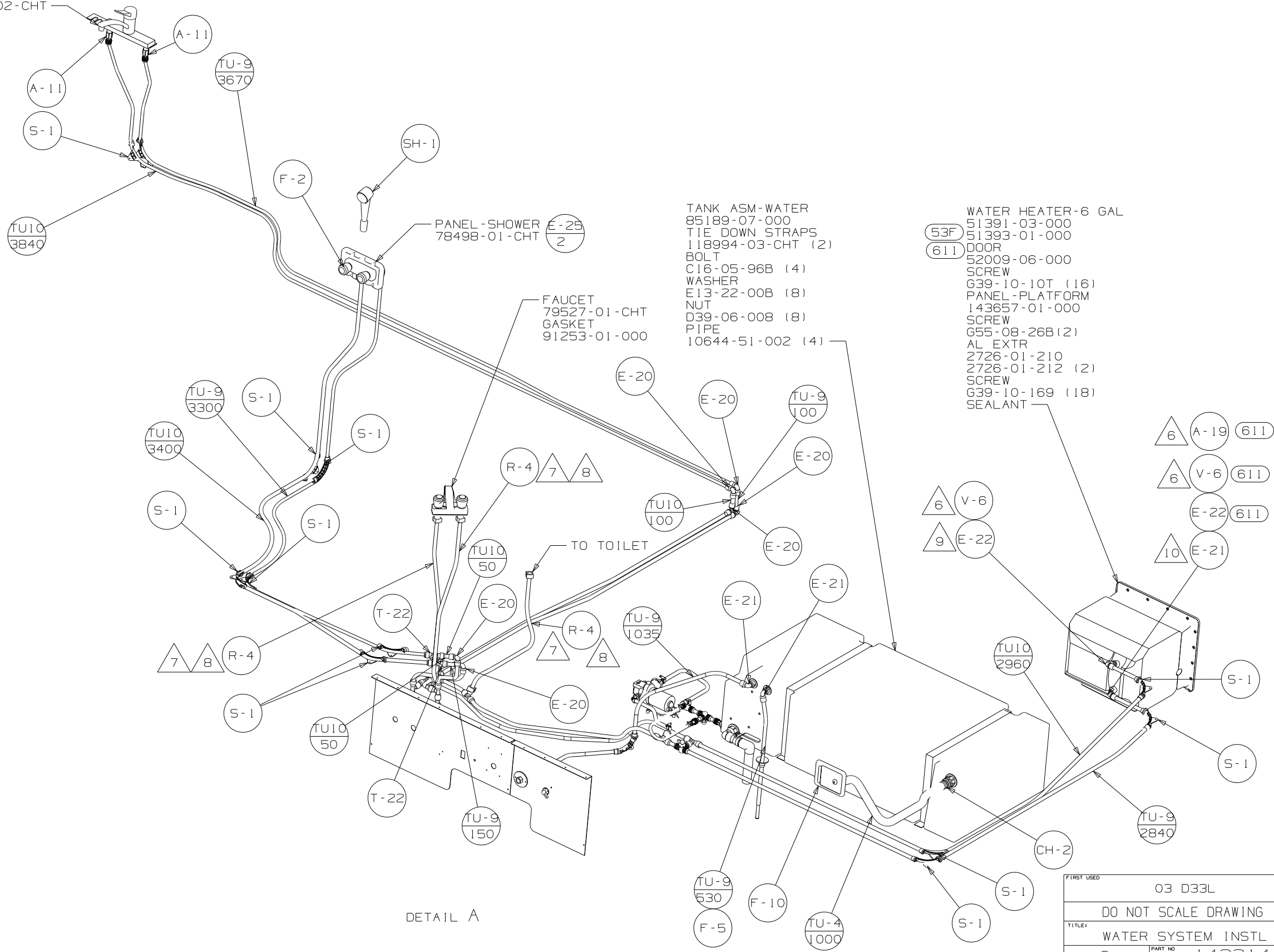
NOTES:

(X-X)
FOR WATER CALLOUTS SEE DWG NO 116230-01-000

WINNEBAGO		COPYRIGHT 2003 WINNEBAGO INDUSTRIES, INC.	
DFTR	ORIG. DATE	ALL DIMENSIONS ARE IN MILLIMETERS	
CHKR		FIRST USED	
P.E.		03 D33L	
M.E.		UNSPECIFIED TOLERANCES ARE:	
DSNR		MATERIAL:	
		WHOLE DIM (X) :	3
		ONE-PLACE (X.X) :	
		TWO-PLACE (X.XX) :	
		ANGLE :	
THIRD ANGLE PROJECTION		DO NOT SCALE DRAWING	
TITLE: WATER SYSTEM INSTL			
SHEET 1 OF 3		PART NO 143214	
REF: 137845 1 06/30/03			

8 7 6 5 4 3 2

FAUCET
104114-05-CHT
BACKING-FAUCET
137079-02-CHT



TANK ASM-WATER
85189-07-000
TIE DOWN STRAPS
118994-03-CHT (2)
BOLT
C16-05-96B (4)
WASHER
E13-22-00B (8)
NUT
D39-06-008 (8)
PIPE
10644-51-002 (4)

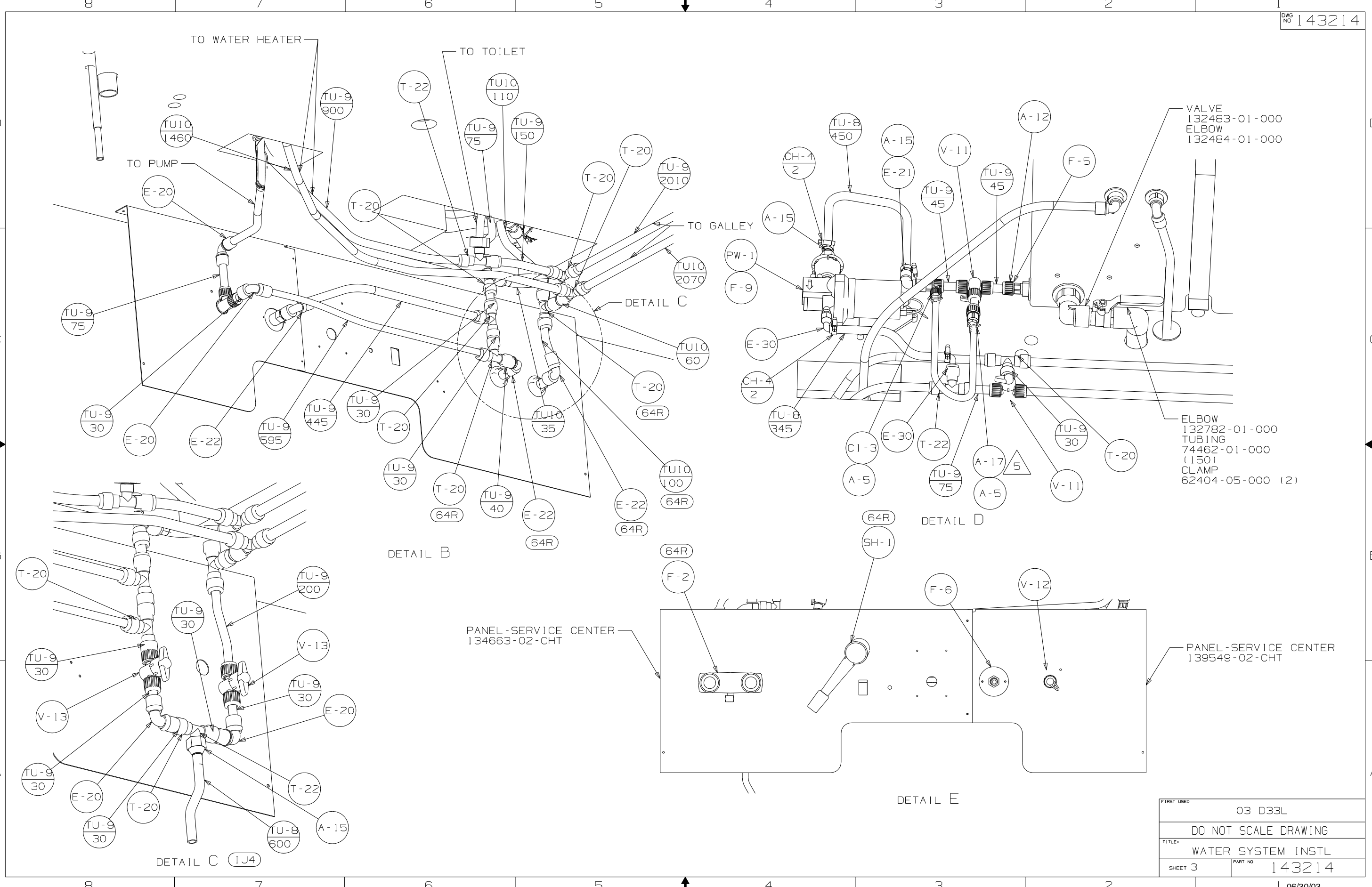
WATER HEATER-6 GAL
51391-03-000
51393-01-000
53F DOOR
611 52009-06-000
SCREW
G39-10-10T (16)
PANEL-PLATFORM
143657-01-000
SCREW
G55-08-26B(2)
AL EXTR
2726-01-210
2726-01-212 (2)
SCREW
G39-10-169 (18)
SEALANT

FAUCET
79527-01-CHT
GASKET
91253-01-000

PANEL-SHOWER
78498-01-CHT
E-25
2

DETAIL A

FIRST USED	03 D33L
DO NOT SCALE DRAWING	
TITLE:	WATER SYSTEM INSTL
SHEET 2	PART NO 143214



VALVE
132483-01-000
ELBOW
132484-01-000

ELBOW
132782-01-000
TUBING
74462-01-000
(150)
CLAMP
62404-05-000 (2)

PANEL-SERVICE CENTER
134663-02-CHT

PANEL-SERVICE CENTER
139549-02-CHT

FIRST USED	03 D33L
TITLE	DO NOT SCALE DRAWING
TITLE	WATER SYSTEM INSTL
SHEET 3	PART NO 143214