

- 7. VALVE TERMINATION TEE TO BE POSITIONED AT 10° DOWN AND OUTBOARD.
- 6. SEAL AROUND SHOWER WITH SILICONE.
- 5. ALL EXTERIOR OPENINGS AROUND PIPE TO BE SEALED WITH 110744-01-000.
- 4. ALL PIPE AND FITTING TO BE ASSEMBLED WITH SOLVENT 4020-01-000.
- 3. SLOPE OF TRAP ARM MUST BE 6 PER 305 mm.
- 3. CLEAN AND FINISH PER ES0025.8.
- 2. SLOPE OF HORIZONTAL PIPING TO BE 6 PER 305 mm.
- 2. BEND PER ES0048.
- 1. VENT PIPE MUST PROJECT 51 MIN AND 64 MAX ABOVE ROOF FOR PROPER FIT.

NOTES:

(265) CODES/STDS-CSA/CMVSS
 (1B1) CODES/STANDARDS-USA



D/FR	ORIG. DATE
CHKR	ALL DIMENSIONS ARE IN MILLIMETERS
P.E.	
M.E.	FIRST USED
DSNR	03 D27C
UNSPECIFIED TOLERANCES ARE:	MATERIAL:
HOLE DIM (X)	: 3
ONE-PLACE (X.X)	:
TWO-PLACE (X.XX)	:
ANGLE	:
THIRD ANGLE PROJECTION	

FOR DRAINAGE CALLOUTS SEE DWG NO 116229-01-000

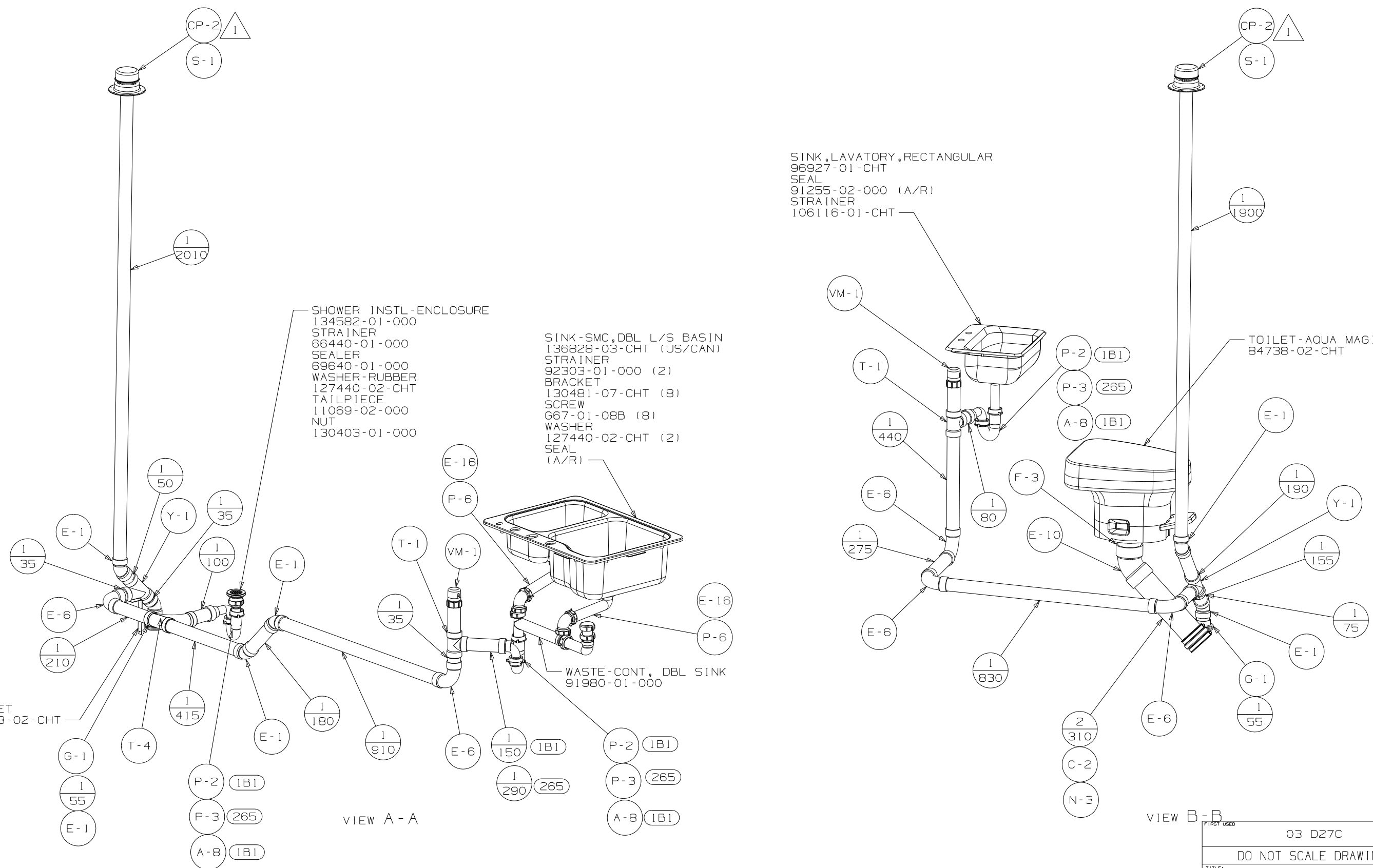
DO NOT SCALE DRAWING
 TITLE: DRAINAGE SYSTEM INSTL
 SHEET 1 OF 3 PART NO 141410

SINK, LAVATORY, RECTANGULAR
 96927-01-CHT
 SEAL
 91255-02-000 (A/R)
 STRAINER
 106116-01-CHT

SHOWER INSTL-ENCLOSURE
 134582-01-000
 STRAINER
 66440-01-000
 SEALER
 69640-01-000
 WASHER-RUBBER
 127440-02-CHT
 TAILPIECE
 11069-02-000
 NUT
 130403-01-000

SINK-SMC, DBL L/S BASIN
 136828-03-CHT (US/CAN)
 STRAINER
 92303-01-000 (2)
 BRACKET
 130481-07-CHT (8)
 SCREW
 G67-01-08B (8)
 WASHER
 127440-02-CHT (2)
 SEAL
 (A/R)

WASTE-CONT, DBL SINK
 91980-01-000



VIEW A - A

VIEW B - B

FIRST USED	03 D27C
TITLE	DO NOT SCALE DRAWING
	DRAINAGE SYSTEM INSTL
SHEET 2	PART NO 141410

TANK -HOLDING
142265-02-000

BRACKET-TIE DOWN
139004-01-000 (2)
SCREW
G39-08-16B (4)

TANK -HOLDING
142301-02-000

FOAM-SUPPORT, HOLDING TANK
130223-02-000
(1219 X 548 X 56 X 27)

INSULATION-DRAINAGE COMPT
120050-02-000
(423 X 147 X .75")

INSULATION-DRAINAGE COMPT
120050-47-000 (2)
(200 X 80 X 1.5")

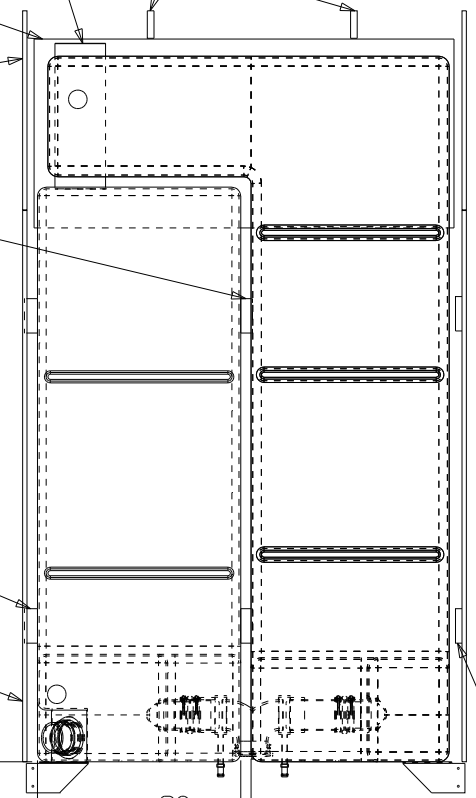
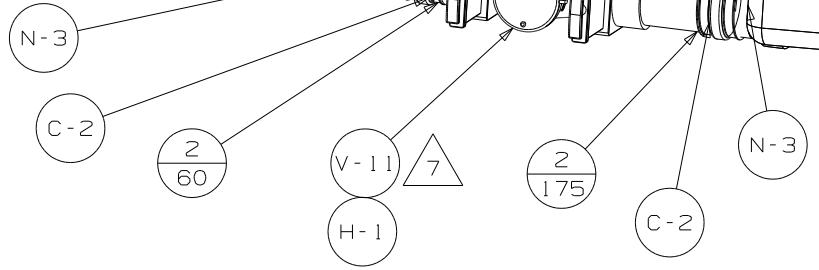
INSULATION-DRAINAGE COMPT
120050-45-000 (2)
(578 X 150 X .5")

INSULATION-DRAINAGE COMPT
120050-43-000 (2)
(200 X 100 X 1.34")

INSULATION-DRAINAGE COMPT
120050-44-000 (2)
(200 X 100 X 1.5")

INSULATION-DRAINAGE COMPT
120050-49-000 (2)
(1600 X 240 X .5")

INSULATION-DRAINAGE COMPT
120050-42-000 (2)
(200 X 100 X .75")



VEHICLE

1224

697

236

30

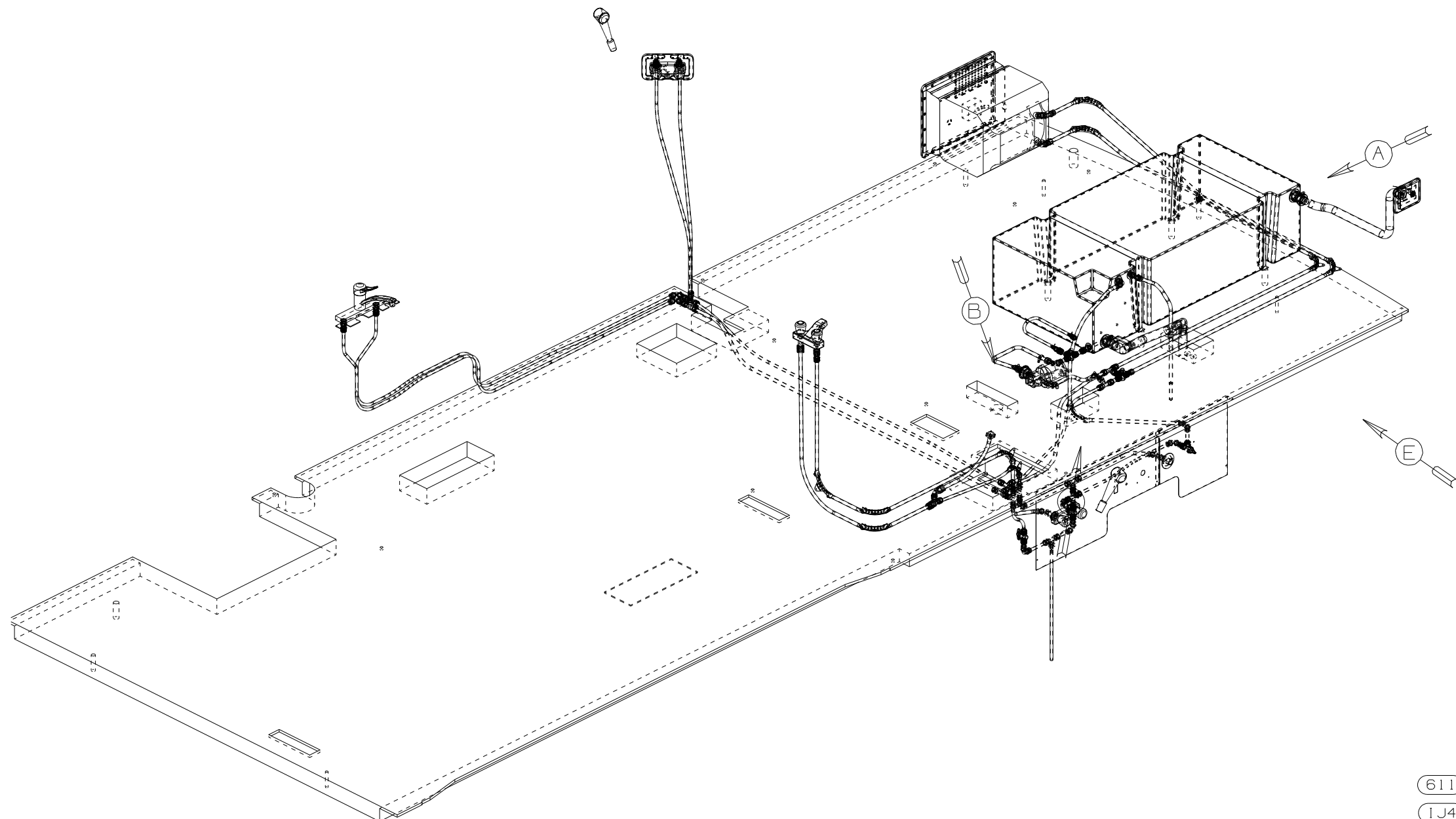
DATUM
CORNER OF FLOOR

VIEW C-C

4119

FRONT
AXLE

FIRST USED	03 D27C
TITLE	DO NOT SCALE DRAWING
TITLE	DRAINAGE SYSTEM INSTL
SHEET 3	PART NO 141410

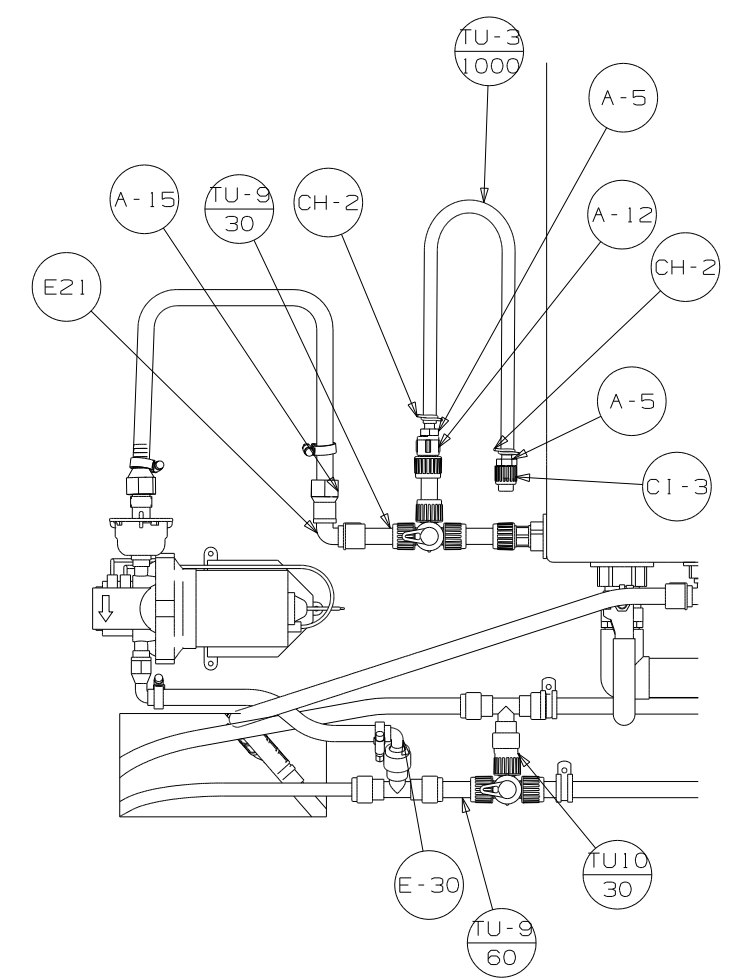
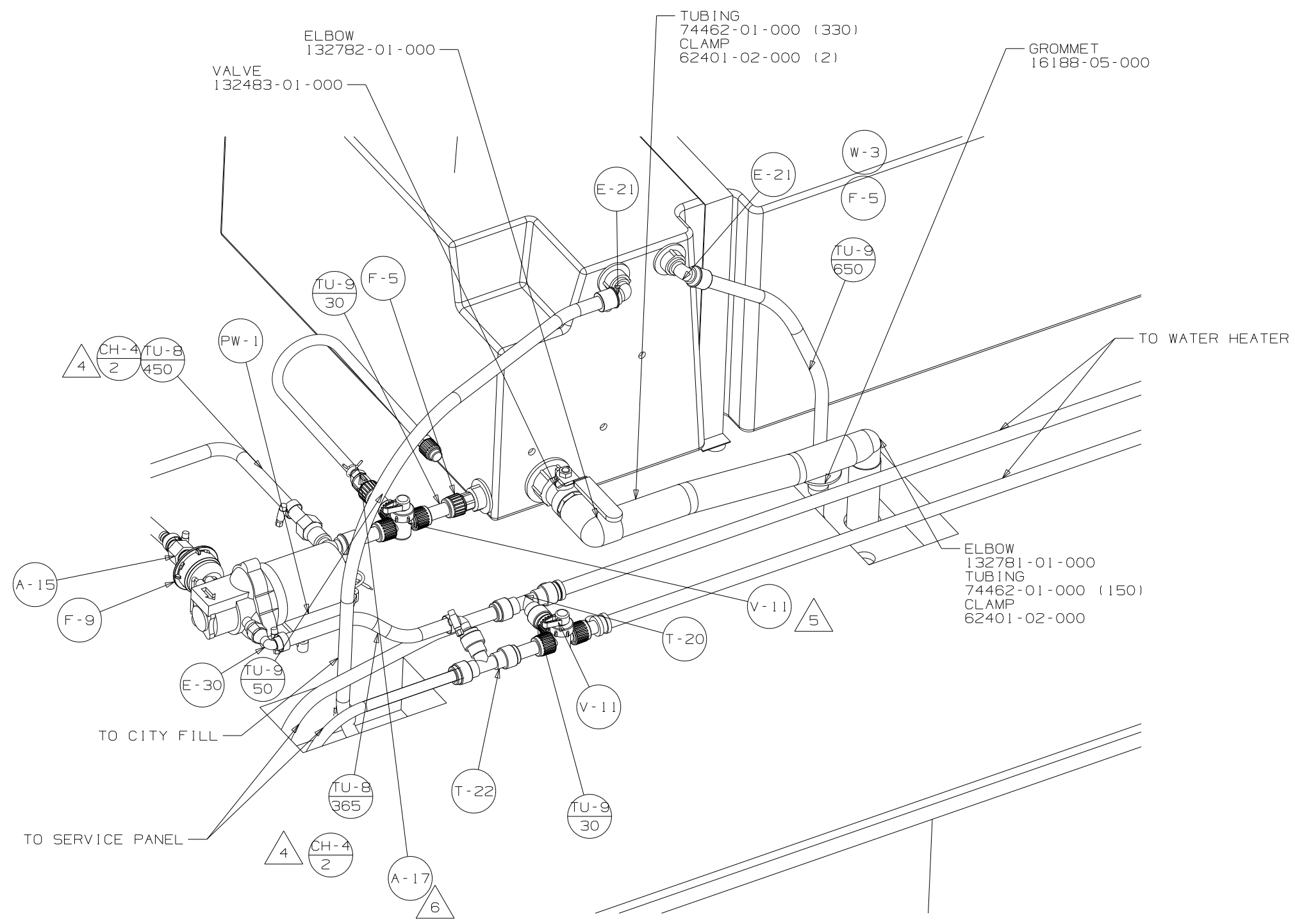


- 9 LABEL THE HOT AND COLD SUPPLY TUBES.
 - 8 TAPE FITTING TO TUBE BEFORE CABINET SET TO PREVENT FITTING FROM MOVING.
 - 7 ADD TEFLON TAPE 10405-01-000 TO FITTINGS.
 - 6 ADD TEFLON TAPE 10405-03-000 TO FITTING.
 - 5 ADD TEFLON TAPE 10405-02-000 TO FITTINGS.
 - 4 CLAMPS MUST BE ON BARBS.
3. ALL TUBING TO BE SECURED AT 1200 INTERVALS MAXIMUM WITH CLAMP 10495-01-000 OR CLIP 9151-01-000 AND SCREW 667-10-12B.
 2. TUBING TO BE INSTALLED WITH SUFFICIENT SLOPE TO PROVIDE DRAINAGE TO NEAREST VALVE.
 1. PLASTIC FITTINGS TO BE SEALED WITH SEALANT 84456-01-000.

- 611 MOTORAID & AUX. HEATER
- 1J4 W/O EXTERIOR WASH STATION
- 64R EXTERIOR WASH STATION

WINNEBAGO		COPYRIGHT 2003 WINNEBAGO INDUSTRIES, INC.	
DFT	ORIG. DATE	ALL DIMENSIONS ARE IN MILLIMETERS	
CHKR		FIRST USED	
P.E.		03 D27C	
M.E.		UNSPECIFIED TOLERANCES ARE:	
DSNR		MATERIAL:	
		WHOLE DIM (X) :	
		ONE-PLACE (X.X) :	
		TWO-PLACE (X.XX) :	
		ANGLE :	
THIRD ANGLE PROJECTION		DO NOT SCALE DRAWING	
TITLE: WATER SYSTEM INSTL			
SHEET 1 OF 4		PART NO 141461	

(X-X)
FOR
WATER
CALLOUTS
SEE DWG NO
116230-01-000



VIEW E

FIRST USED	03 D27C
TITLE	DO NOT SCALE DRAWING
SHEET 4	PART NO 141461
1 10/08/03	