

9. SECURE VENT TUBES TO FLOOR WITH BRACKET 95061-01-000 (2), CLAMP 62401-02-000 AND SCREW G67-10-12B (2).
8. VENT PIPE MUST PROJECT 51 MM MIN AND 64 MM MAX ABOVE ROOF FOR PROPER FIT AND FUNCTION.
7. SEAL ALL AROUND SHOWER WITH SILICONE.
6. SEE DRAWING 61607-01-000 FOR INSTL OF GROMMETS.
5. SECURE PIPES TO CABINET USING WIRE TIE 108046-02-000 AND SCREW G67-10-12B (8).
4. ALL EXTERIOR OPENINGS AROUND PIPE TO BE SEALED WITH 110744-01-000.
3. ALL PIPE AND FITTINGS TO BE ASSEMBLED WITH SOLVENT 4020-01-000.
2. SLOPE OF TRAP ARM MUST BE 6 PER 305.
1. SLOPE OF HORIZONTAL PIPING TO BE 6 PER 305 MIN.

NOTES:

(B1) CODES/STANDARDS-USA
 (265) CODES/STDS-CSA/CMVSS

WINNEBAGO		COPYRIGHT 2002 WINNEBAGO INDUSTRIES, INC.	
D/FR	ORIG. DATE	ALL DIMENSIONS ARE IN MILLIMETERS	
CHKR		FIRST USED	
P.E.		03 430V	
M.E.		UNSPECIFIED TOLERANCES ARE:	
DSNR		MATERIAL:	
		WHOLE DIM (X) :	7
		ONE-PLACE (X.X) :	
		TWO-PLACE (X.XX) :	
		ANGLE :	
THIRD ANGLE PROJECTION		DO NOT SCALE DRAWING	
TITLE: DRAINAGE SYSTEM INSTL			
SHEET 1 OF 3		PART NO 141351	

(X-X)
 FOR
 DRAINAGE
 CALLOUTS
 SEE DWG NO
 116229-01-000

SINK-SMC, DBL L/S BASIN
 136828-01-CHT (US/CAN)
 STRAINER
 92303-01-000 (2)
 BRACKET-ZEE
 130481-07-CHT (5)
 SCREW
 G67-06-10U (10)
 WASHER-RUBBER
 127440-02-CHT (2)
 SEAL (A/R)

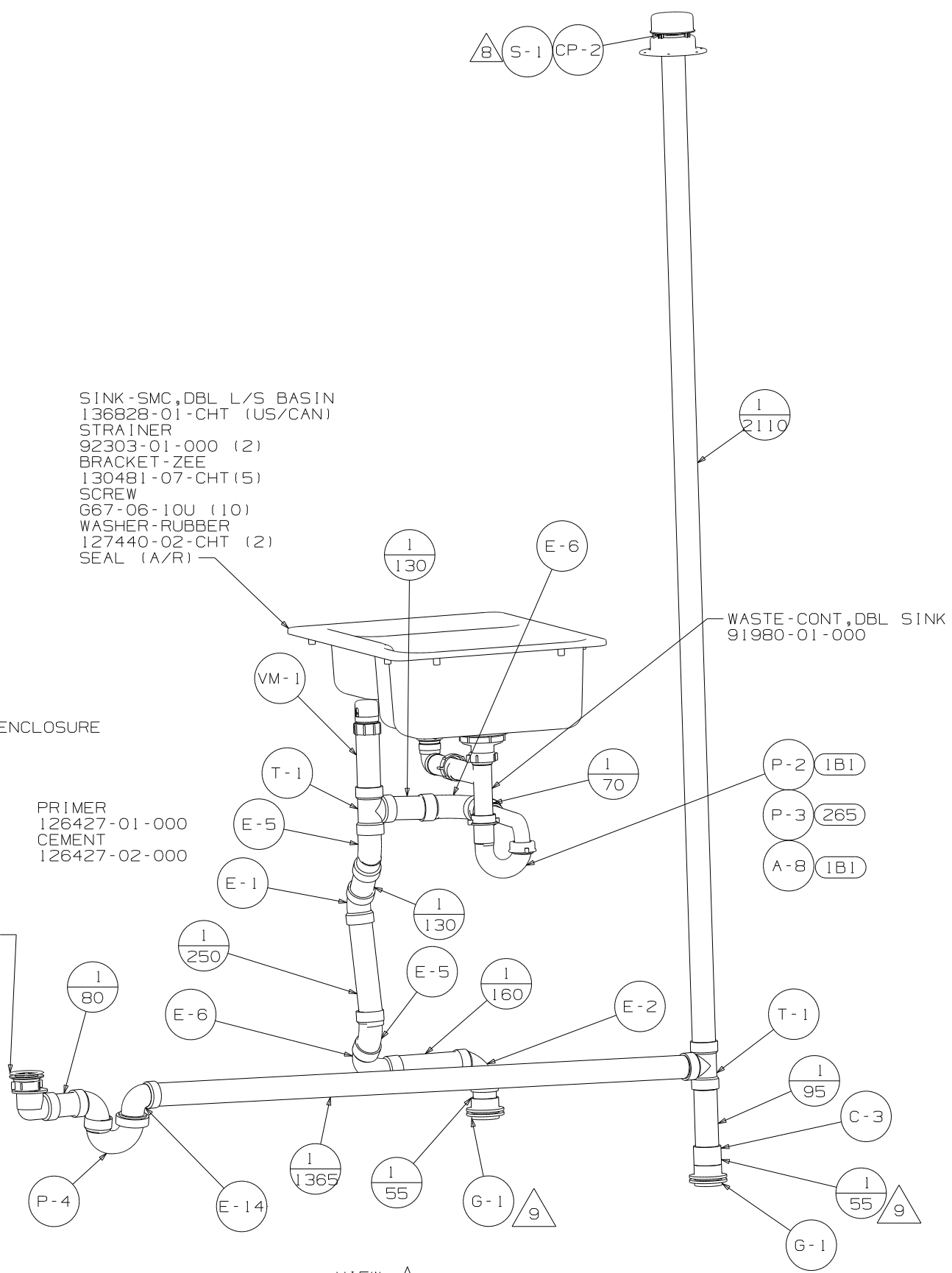
SHOWER INSTL-ENCLOSURE
 139874-01-000
 STRAINER
 66440-01-000
 SEALER
 69640-01-000
 NUT
 130403-01-000
 WASHER-RUBBER
 127440-02-CHT
 TAILPIECE
 11069-02-000
 ELBOW-DRAIN
 131486-01-000

PRIMER
 126427-01-000
 CEMENT
 126427-02-000

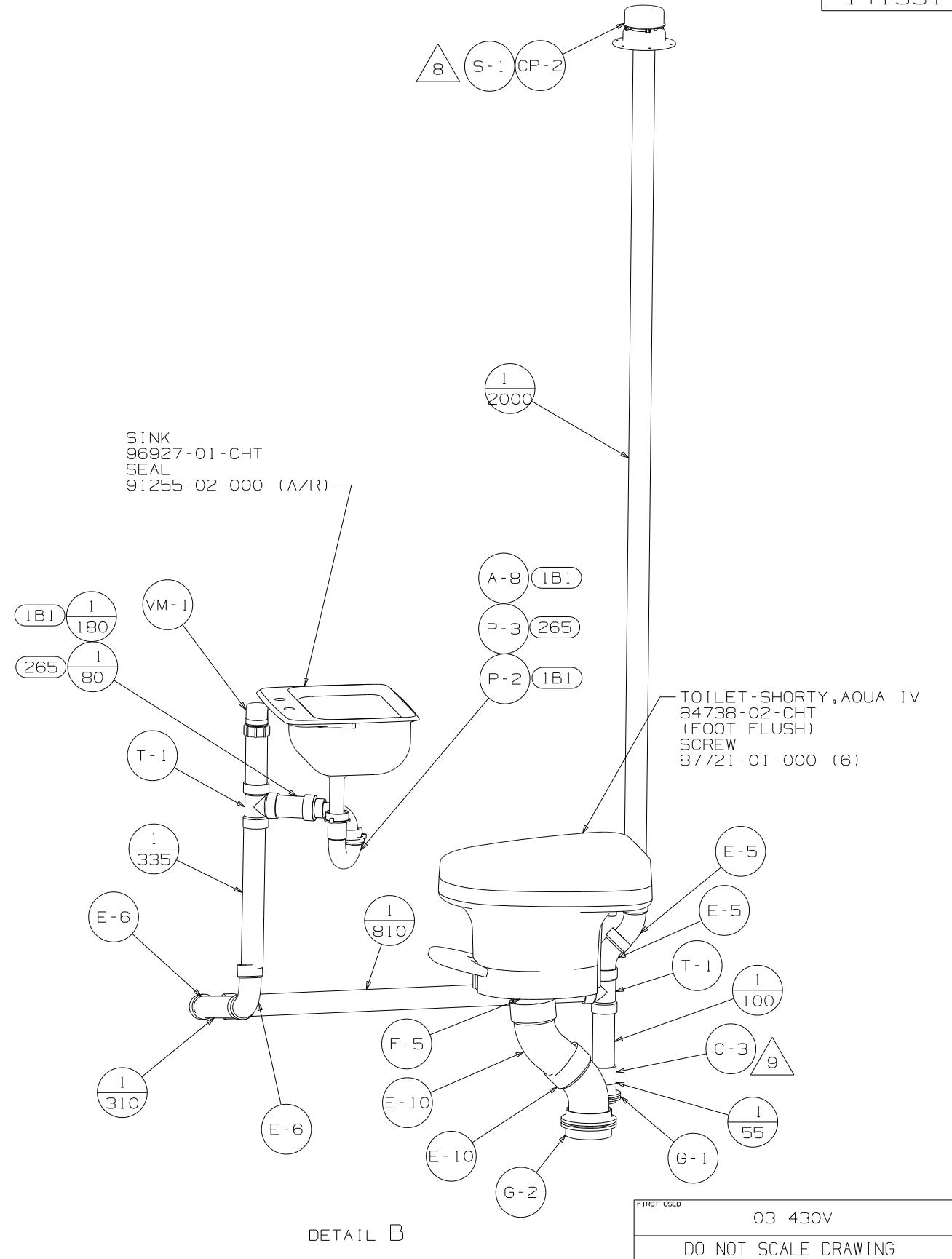
WASTE-CONT, DBL SINK
 91980-01-000

SINK
 96927-01-CHT
 SEAL
 91255-02-000 (A/R)

TOILET-SHORTY, AQUA IV
 84738-02-CHT
 (FOOT FLUSH)
 SCREW
 87721-01-000 (6)

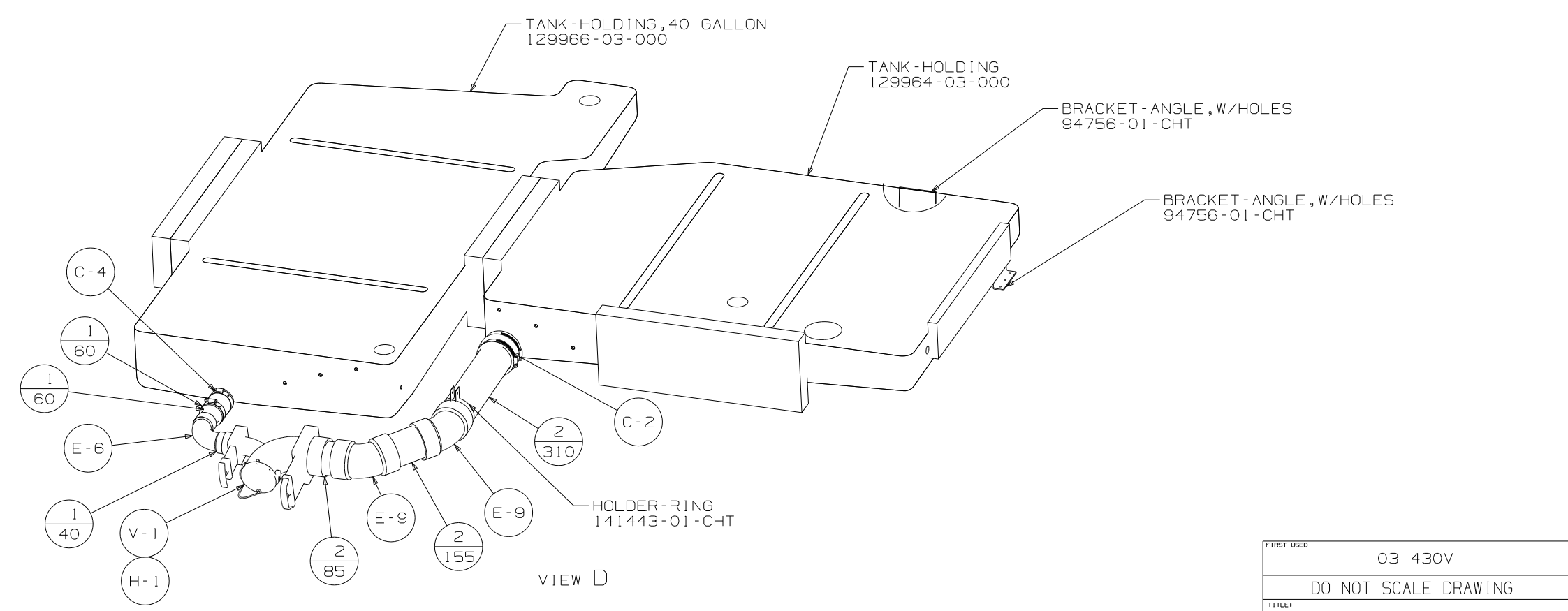
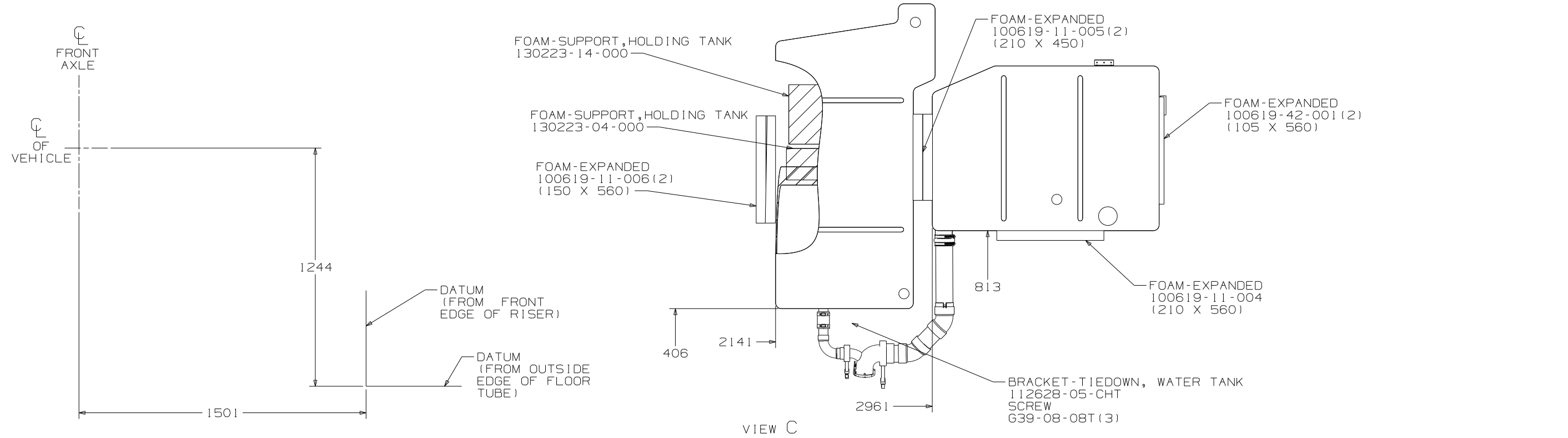


VIEW A

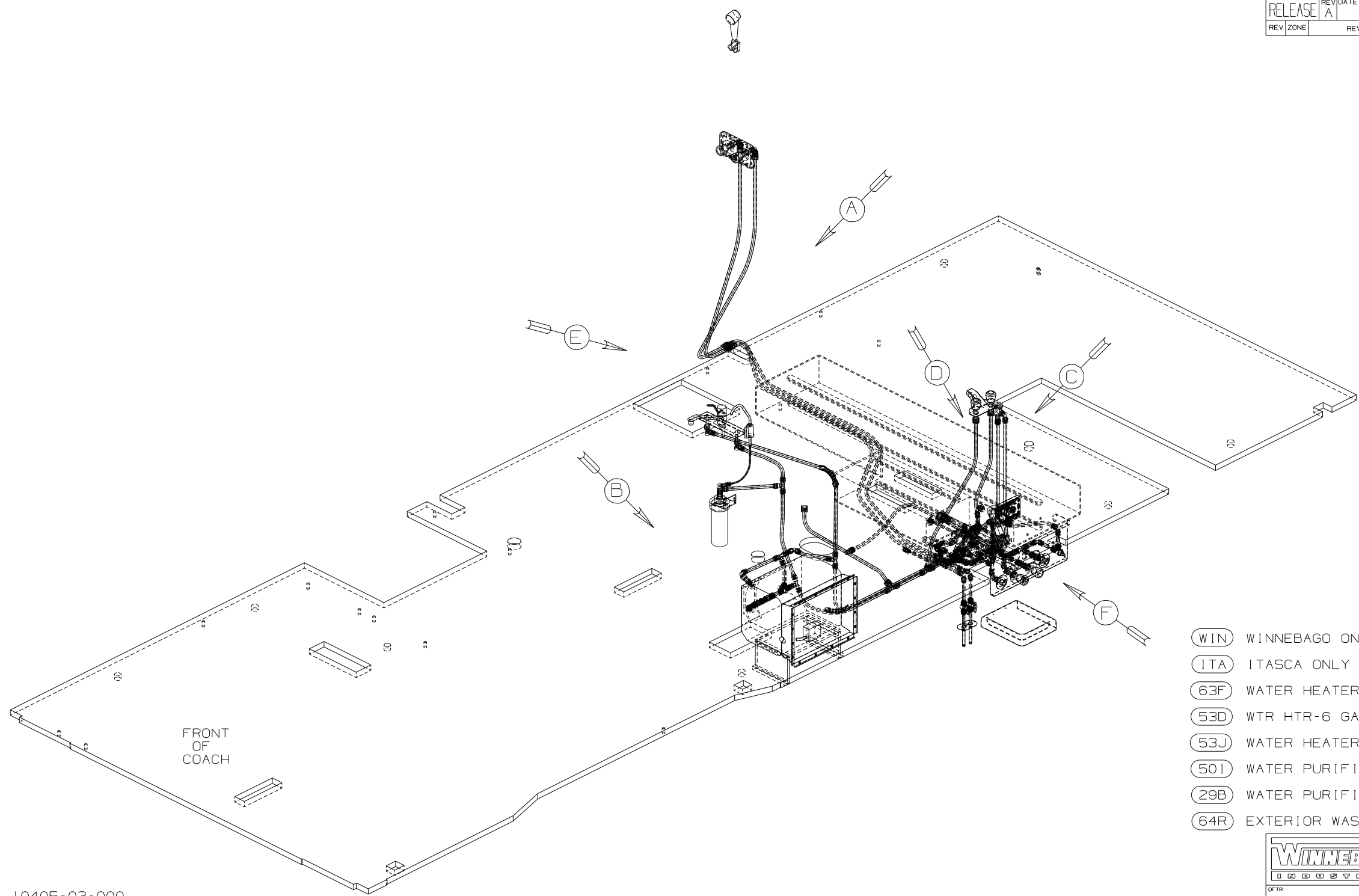


DETAIL B

FIRST USED	03 430V
DO NOT SCALE DRAWING	
TITLE: DRAINAGE SYSTEM INSTL	
SHEET 2	PART NO 141351



FIRST USED	03 430V
DO NOT SCALE DRAWING	
TITLE	DRAINAGE SYSTEM INSTL
SHEET 3	PART NO 141351

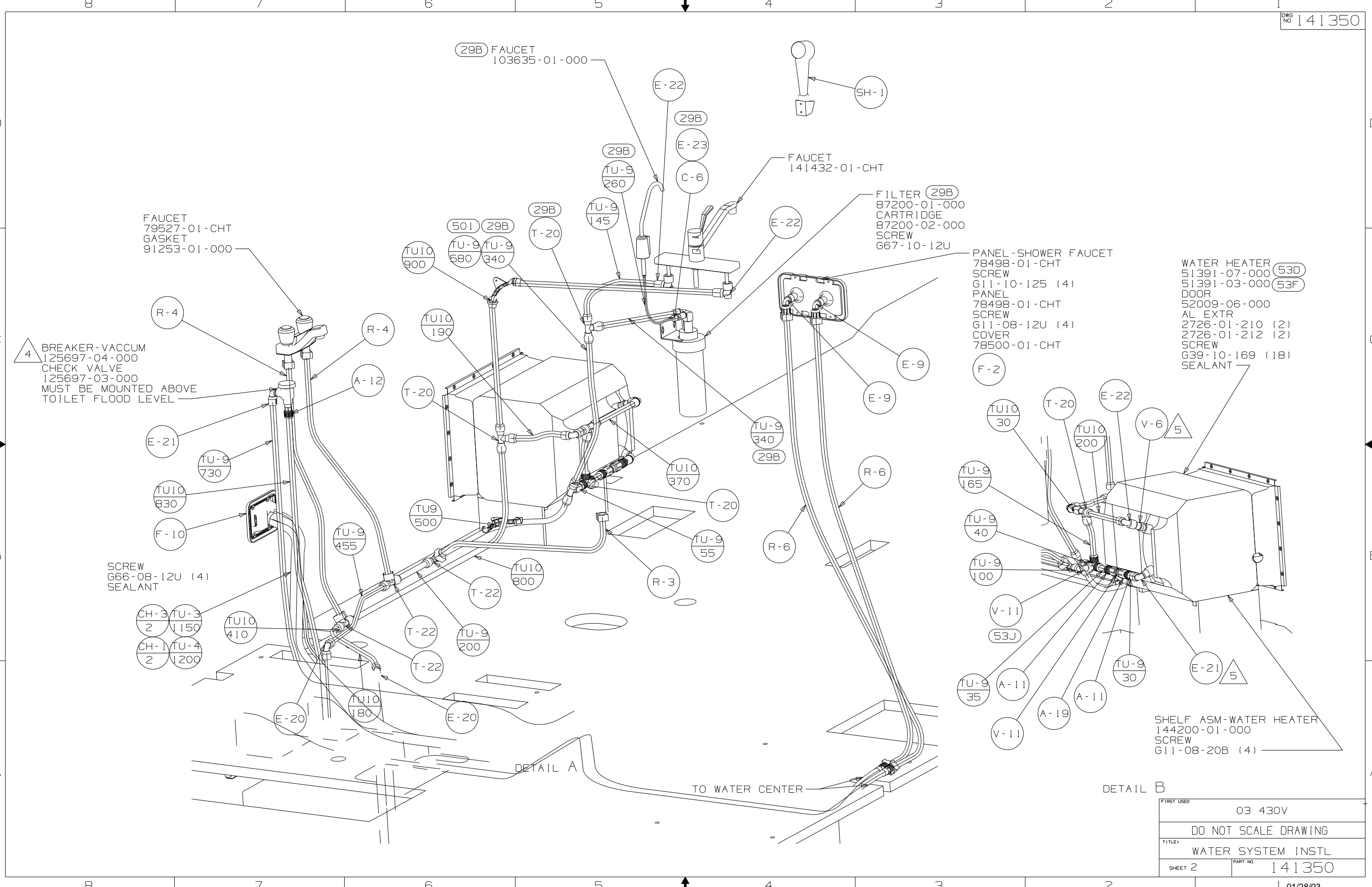


- (WIN) WINNEBAGO ONLY
- (ITA) ITASCA ONLY
- (63F) WATER HEATER-ELEC IGNITION
- (53D) WTR HTR-6 GAL ELECTRIC/LP GAS
- (53J) WATER HEATER BY-PASS-VALVE
- (50I) WATER PURIFIER WITHOUT
- (29B) WATER PURIFIER SYSTEM
- (64R) EXTERIOR WASH STATION

- NOTES:
- 7 ADD TEFLON TAPE 10405-03-000.
 - 6 ADD TEFLON TAPE 10405-02-000.
 - 5 ADD TEFLON TAPE 10405-01-000.
 - 4 FLUSHING SYSTEM REQUIRES 125697-06-000 INSTRUCTION SHEET.
3. ALL TUBING TO BE SECURED AT 1200 INTERVALS MAXIMUM WITH CLAMP 10495-01-000 OR CLIP 9151-01-000 AND SCREW 667-10-12B.
 2. TUBING TO BE INSTALLED WITH SUFFICIENT SLOPE TO PROVIDE DRAINAGE TO NEAREST VALVE.
 1. PLASTIC FITTINGS TO BE SEALED WITH SEALANT 84456-01-000.

(X-X)
FOR
WATER
CALLOUTS
SEE DWG NO
116230-01-000

WINNEBAGO		COPYRIGHT 2003 WINNEBAGO INDUSTRIES, INC.	
DFTR	ORIG. DATE	ALL DIMENSIONS ARE IN MILLIMETERS	
CHKR		FIRST USED	
P.E.		03 430V	
M.E.		UNSPECIFIED TOLERANCES ARE:	
DSNR		MATERIALS:	
		WHOLE DIM (X)	: 7
		ONE-PLACE (X.X)	:
		TWO-PLACE (X.XX)	:
		ANGLE	:
THIRD ANGLE PROJECTION		DO NOT SCALE DRAWING	
TITLE: WATER SYSTEM INSTL			
SHEET 1 OF 4		PART NO 141350	



FAUCET
79527-01-CHT
GASKET
91253-01-000

(29B) FAUCET
103635-01-000

FAUCET
141432-01-CHT

FILTER (29B)
87200-01-000
CARTRIDGE
87200-02-000
SCREW
G67-10-12U

PANEL-SHOWER FAUCET
78498-01-CHT
SCREW
G11-10-125 (4)
PANEL
78498-01-CHT
SCREW
G11-08-12U (4)
COVER
78500-01-CHT

WATER HEATER
51391-07-000 (53D)
51391-03-000 (53F)
DOOR
52009-06-000
AL EXTR
2726-01-210 (2)
2726-01-212 (2)
SCREW
G39-10-169 (18)
SEALANT

4 BREAKER-VACCU
125697-04-000
CHECK VALVE
125697-03-000
MUST BE MOUNTED ABOVE
TOILET FLOOD LEVEL

SCREW
G66-08-12U (4)
SEALANT

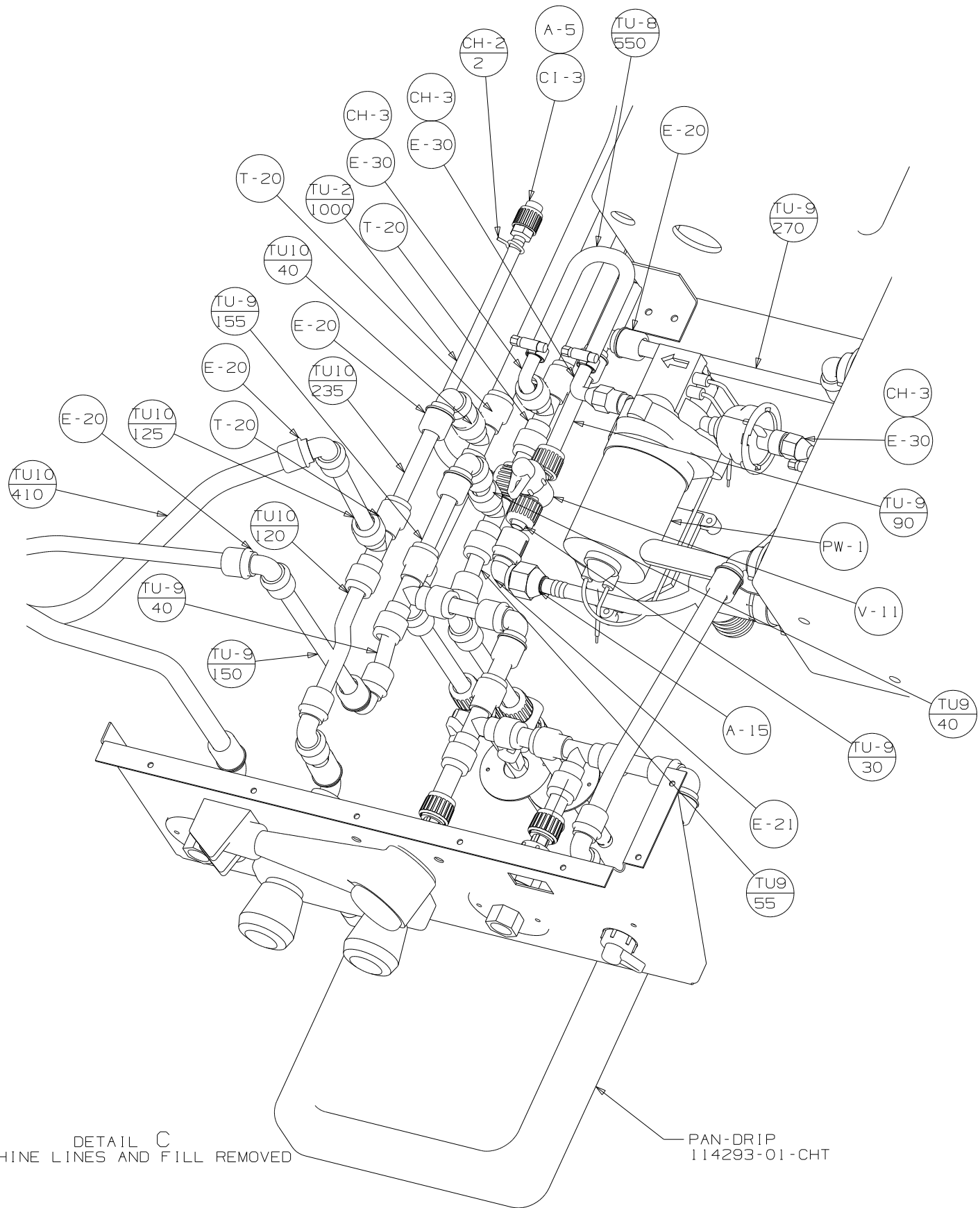
SHELF ASM-WATERHEATER
144200-01-000
SCREW
G11-08-20B (4)

DETAIL A

TO WATER CENTER

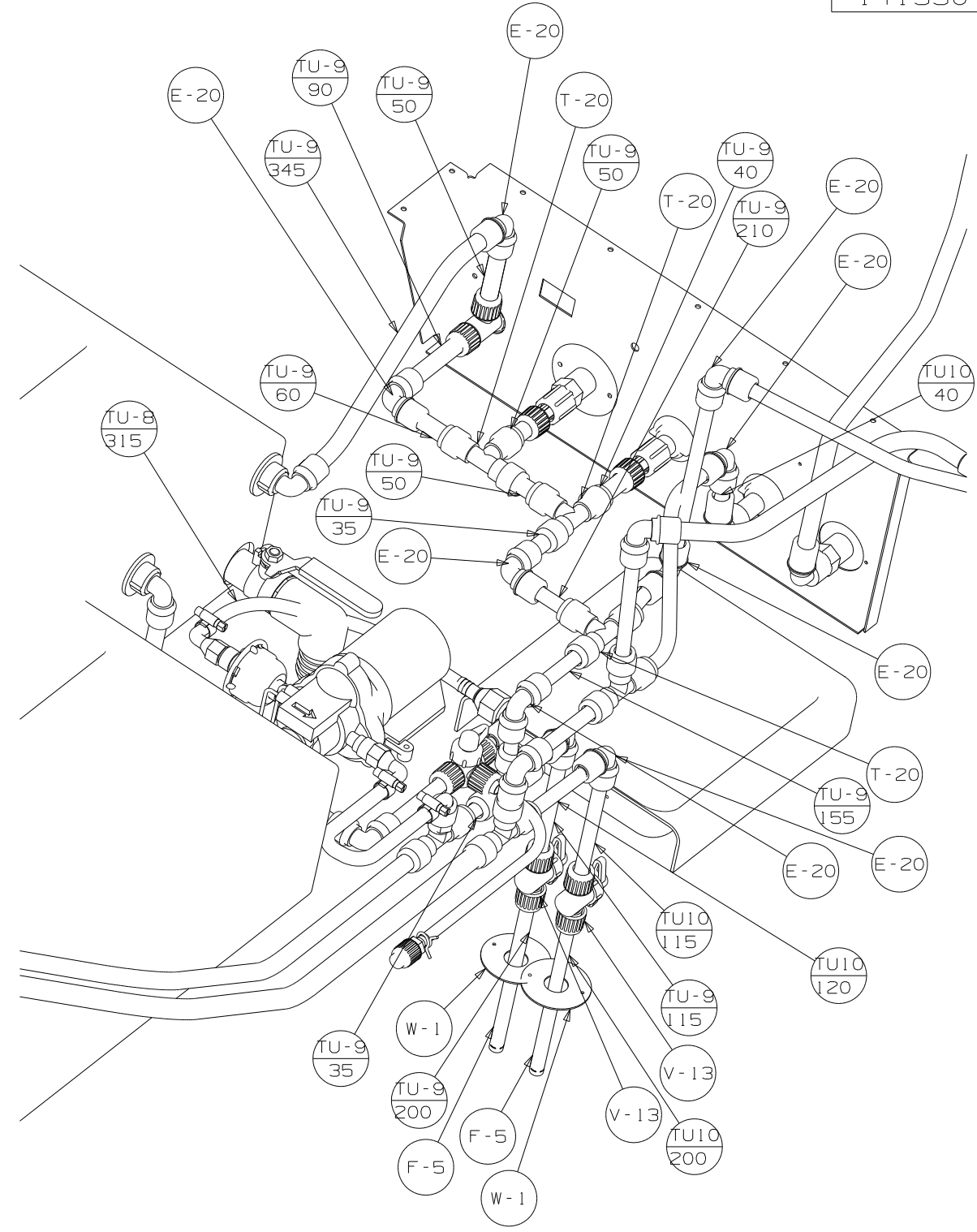
DETAIL B

FIRST USED	03 430V
TITLE	DO NOT SCALE DRAWING
TITLE	WATER SYSTEM INSTL
SHEET 2	PART NO 141350



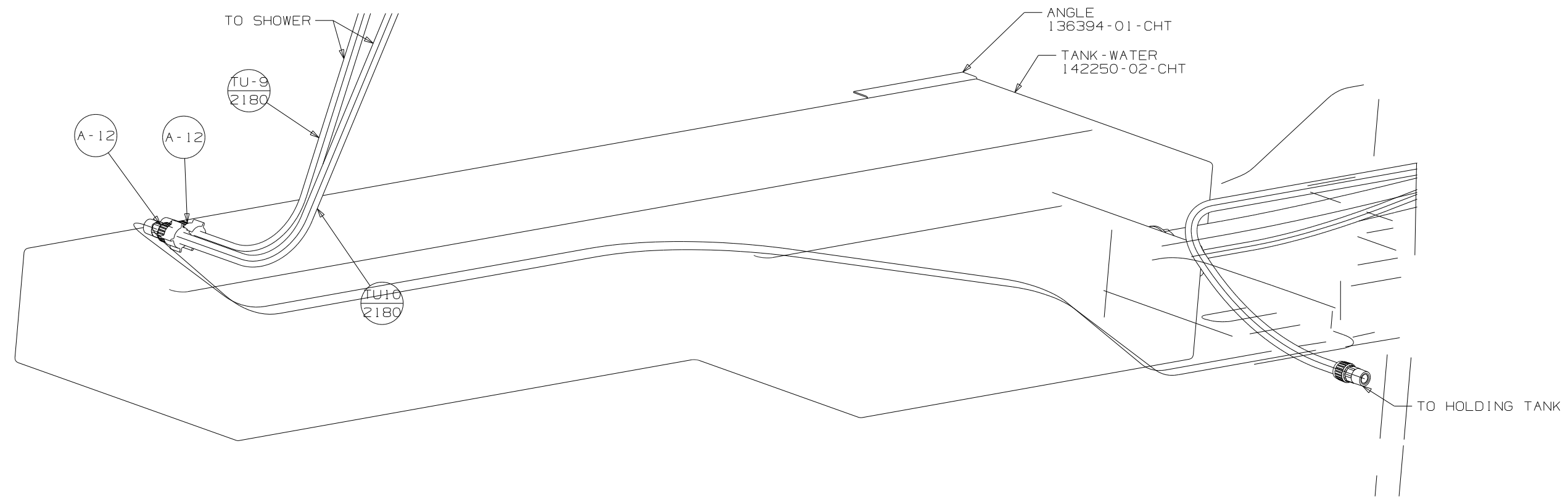
DETAIL C
FLUSHINE LINES AND FILL REMOVED

PAN-DRIP
114293-01-CHT

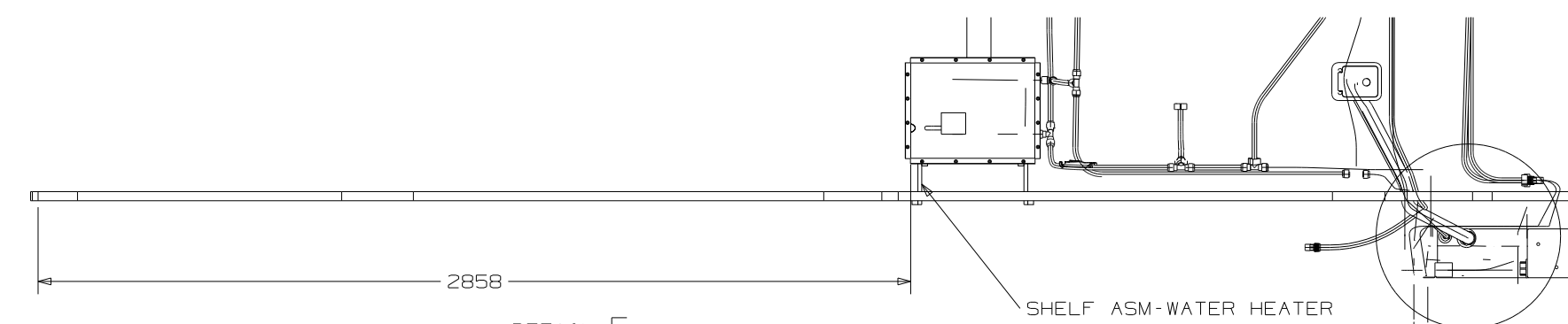


DETAIL D
FLUSHINE LINES AND FILL REMOVED

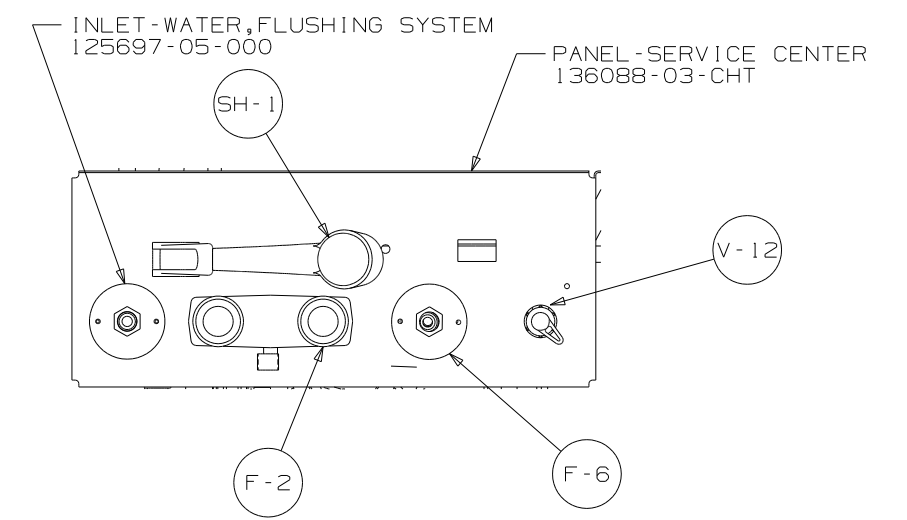
FIRST USED	03 430V
DO NOT SCALE DRAWING	
TITLE	WATER SYSTEM INSTL
SHEET 3	PART NO 141350



DETAIL E



DETAIL F



DETAIL G

DETAIL G

FIRST USED	03 430V
DO NOT SCALE DRAWING	
TITLE:	WATER SYSTEM INSTL
SHEET 4	PART NO 141350