

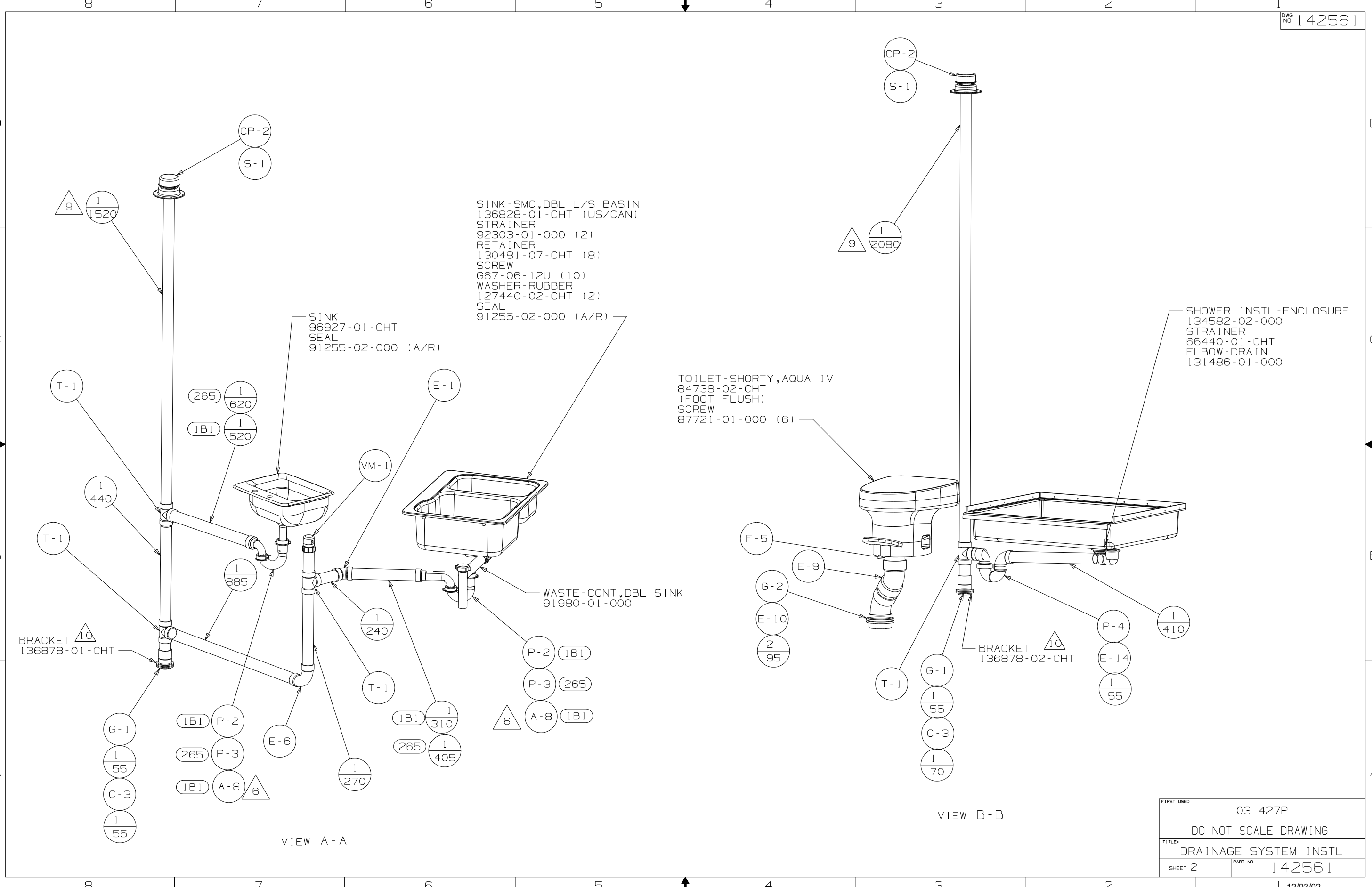
- 10. SECURE VENT TUBES TO FLOOR WITH CLAMP 62401-02-000 (2) AND SCREW G67-10-12B (2).
- 9. VENT PIPE MUST PROJECT 51 MM MIN AND 64 MM MAX ABOVE ROOF FOR PROPER FIT AND FUNCTION.
- 8. SEE DRAWING 61607-01-000 FOR INSTL OF GROMMETS.
- 7. SEAL ALL AROUND SHOWER SITH SILICONE.
- 6. TRIM P-TRAP EXTENSION TO FIT.
- 5. SECURE PIPES TO CABINET USING WIRE TIE 108046-02-000 AND SCREW G67-10-12B (8).
- 4. ALL EXTERIOR OPENINGS AROUND PIPE TO BE SEALED WITH 110744-01-000.
- 3. ALL PIPE AND FITTINGS TO BE ASSEMBLED WITH SOLVENT 4020-01-000.
- 2. SLOPE OF TRAP ARM MUST BE 6 PER 305.
- 1. SLOPE OF HORIZONTAL PIPING TO BE 6 PER 305 MIN.

NOTES:

(B1) CODES/STANDARDS USA  
 (265) CODES/STDS-CSA/CMVSS

<b>WINNEBAGO</b>		COPYRIGHT 2002 WINNEBAGO INDUSTRIES, INC.	
DFTR	ORIG. DATE	ALL DIMENSIONS ARE IN MILLIMETERS	
CHKR		FIRST USED	
P.E.		03 427P	
M.E.		UNSPECIFIED TOLERANCES ARE:	
DSNR		WHOLE DIM (X)	: 3
		ONE-PLACE (X.X)	:
		TWO-PLACE (X.XX)	:
		ANGLE	:
		THIRD ANGLE PROJECTION	⊕
DO NOT SCALE DRAWING			
TITLE: DRAINAGE SYSTEM INSTL			
SHEET 1 OF 3	PART NO	142561	

(X-X)  
 FOR  
 DRAINAGE  
 CALLOUTS  
 SEE DWG NO  
 116229-01-000



SINK-SMC, DBL L/S BASIN  
 136828-01-CHT (US/CAN)  
 STRAINER  
 92303-01-000 (2)  
 RETAINER  
 130481-07-CHT (8)  
 SCREW  
 G67-06-12U (10)  
 WASHER-RUBBER  
 127440-02-CHT (2)  
 SEAL  
 91255-02-000 (A/R)

SINK  
 96927-01-CHT  
 SEAL  
 91255-02-000 (A/R)

TOILET-SHORTY, AQUA IV  
 84738-02-CHT  
 (FOOT FLUSH)  
 SCREW  
 87721-01-000 (6)

SHOWER INSTL-ENCLOSURE  
 134582-02-000  
 STRAINER  
 66440-01-CHT  
 ELBOW-DRAIN  
 131486-01-000

WASTE-CONT, DBL SINK  
 91980-01-000

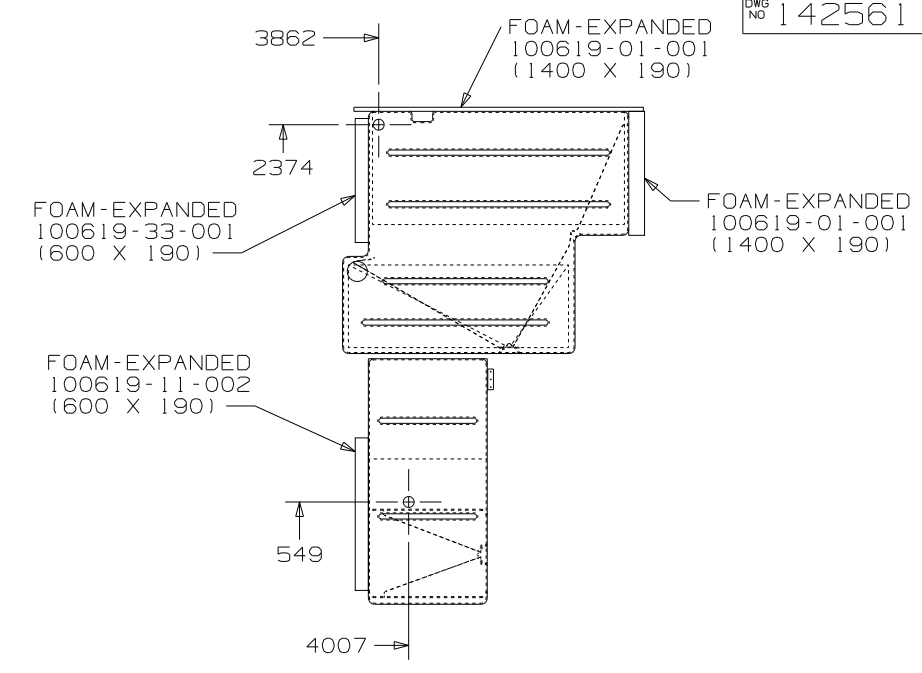
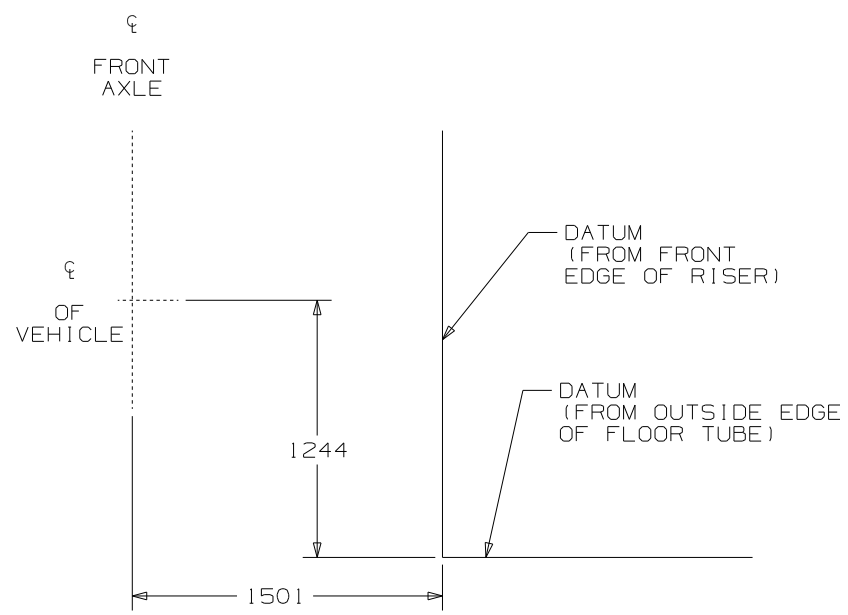
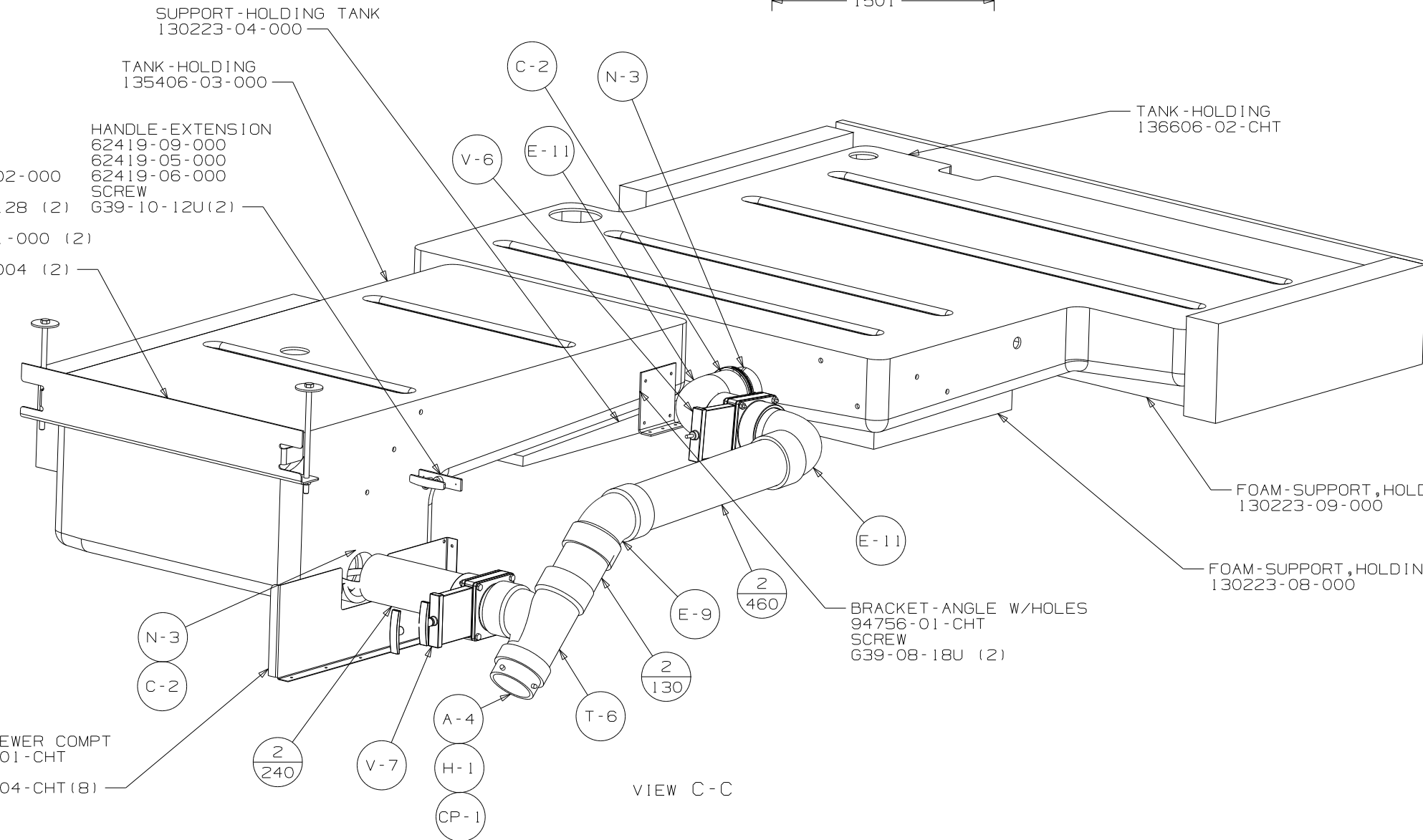
BRACKET  
 136878-01-CHT

BRACKET  
 136878-02-CHT

VIEW A-A

VIEW B-B

FIRST USED	03 427P
DO NOT SCALE DRAWING	
TITLE	DRAINAGE SYSTEM INSTL
SHEET 2	PART NO 142561

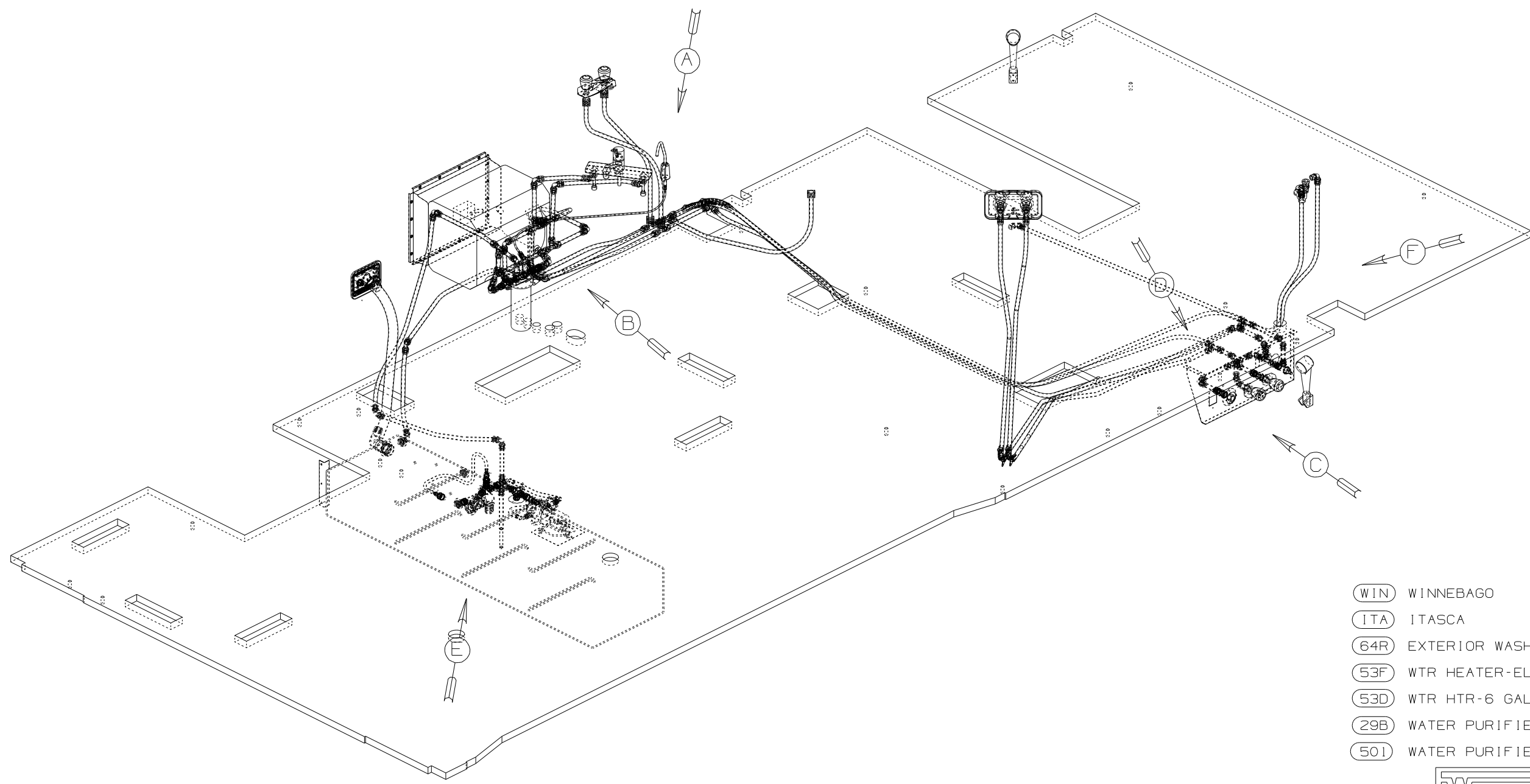


VIEW C-C

FIRST USED	03 427P
DO NOT SCALE DRAWING	
TITLE	DRAINAGE SYSTEM INSTL
SHEET 3	PART NO 142561

DWG NO	----
142560-01	(WIN)
142560-02	(ITA)

RELEASE	REV DATE	DWG NO
A		142560
REV ZONE	REVISION RECORD	DATE
		DFTR-ORIG



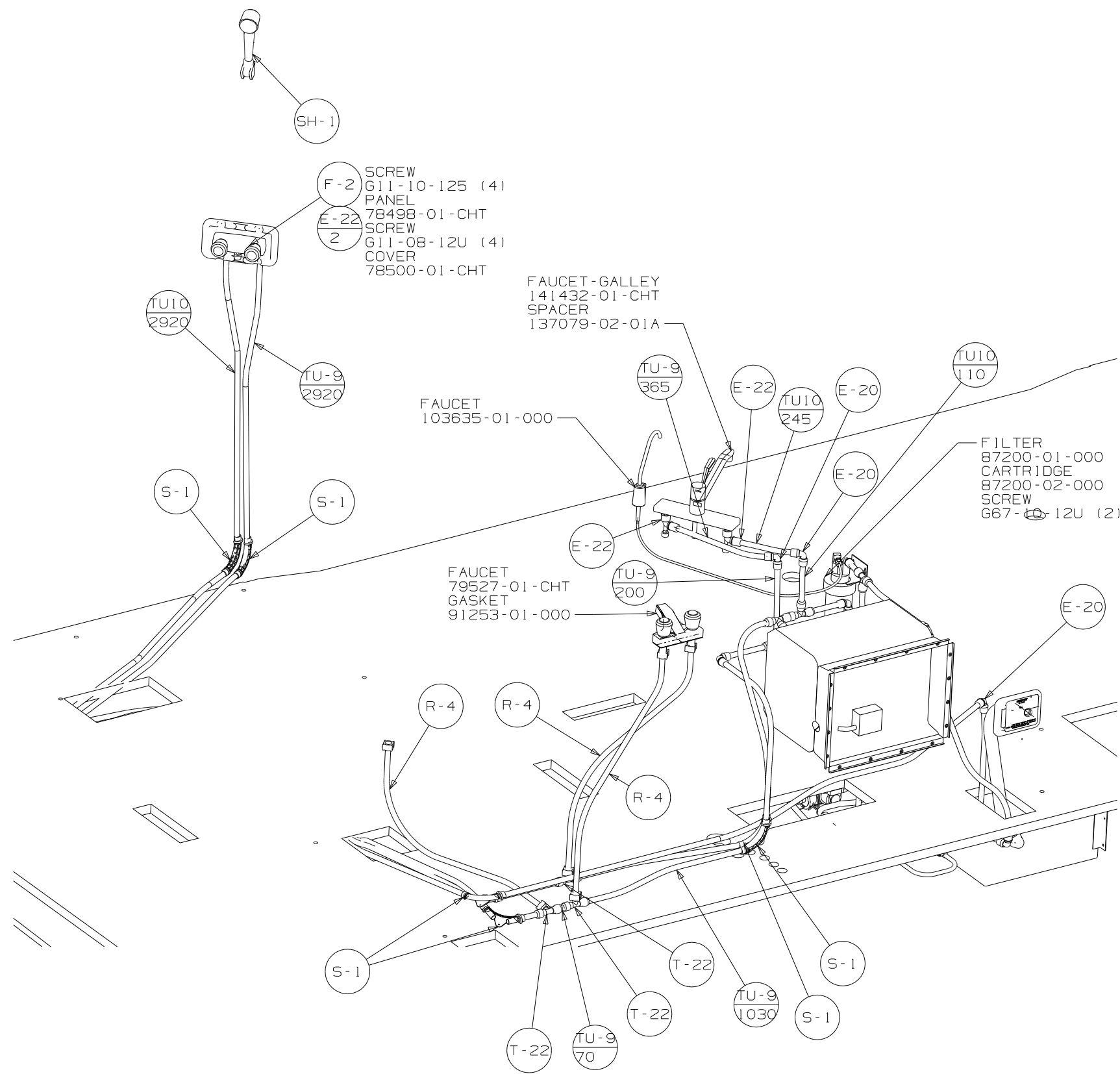
- (WIN) WINNEBAGO
- (ITA) ITASCA
- (64R) EXTERIOR WASH STATION
- (53F) WTR HEATER-ELEC IGNITION
- (53D) WTR HTR-6 GAL/ELE/LP/MOTORAID
- (29B) WATER PURIFIER
- (50I) WATER PURIFIER W/O

- NOTES:
- 5 ADD TEFLON TAPE 10405-02-000.
  - 4 ADD TEFLON TAPE 10405-01-000.
  - 3. ALL TUBING TO BE SECURED AT 1200 INTERVALS MAXIMUM WITH CLAMP 10495-01-000 OR CLIP 9151-01-000 AND SCREW 667-10-12B.
  - 2. TUBING TO BE INSTALLED WITH SUFFICIENT SLOPE TO PROVIDE DRAINAGE TO NEAREST VALVE.
  - 1. PLASTIC FITTINGS TO BE SEALED WITH SEALANT 84456-01-000.

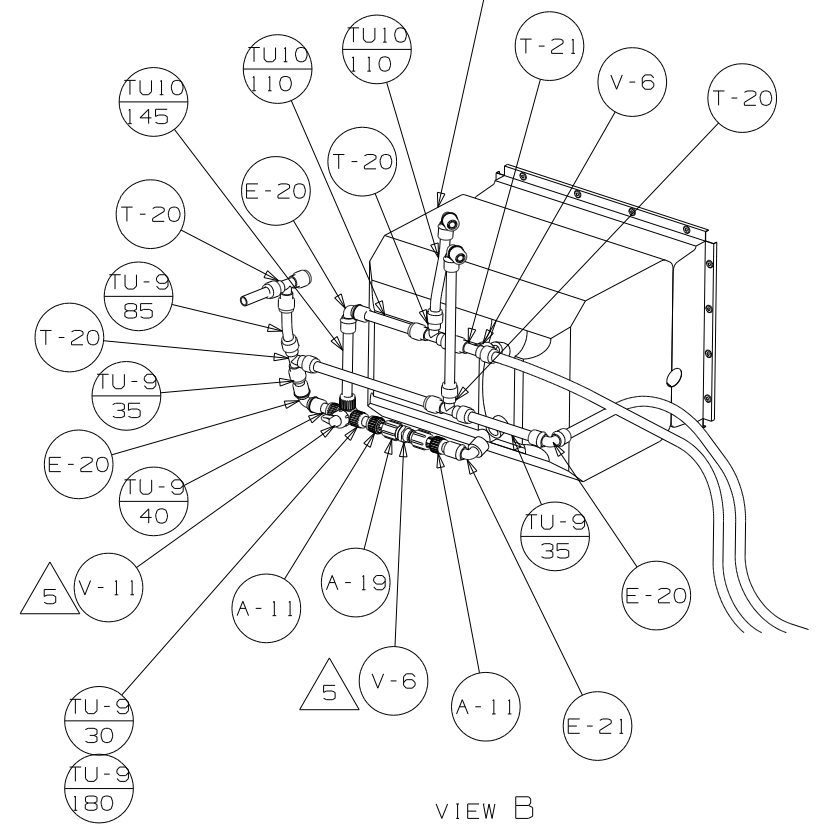
<b>WINNEBAGO</b>		COPYRIGHT 2003 WINNEBAGO INDUSTRIES, INC.	
DFTR	ORIG. DATE	ALL DIMENSIONS ARE IN MILLIMETERS	
CHKR		FIRST USED	
P.E.		03 427P	
M.E.		UNSPECIFIED TOLERANCES ARE:	
DSNR		MATERIALS:	
		WHOLE DIM (X) :	
		ONE-PLACE (X.X) :	
		TWO-PLACE (X.XX) :	
		ANGLE :	
THIRD ANGLE PROJECTION		DO NOT SCALE DRAWING	
TITLE: WATER SYSTEM INSTL			
SHEET 1 OF 4		PART NO 142560	
REF: 138420 1 02/28/03			

(X-X)  
FOR  
WATER  
CALLOUTS  
SEE DWG NO  
116230-01-000

- WATER HEATER
- 51391-03-000
- 51391-07-000
- DOOR
- 78506-01-CHT
- AL EXTR
- 2726-01-210 (2)
- 2726-01-212 (2)
- SCREW
- G39-10-169 (18)
- SEALANT



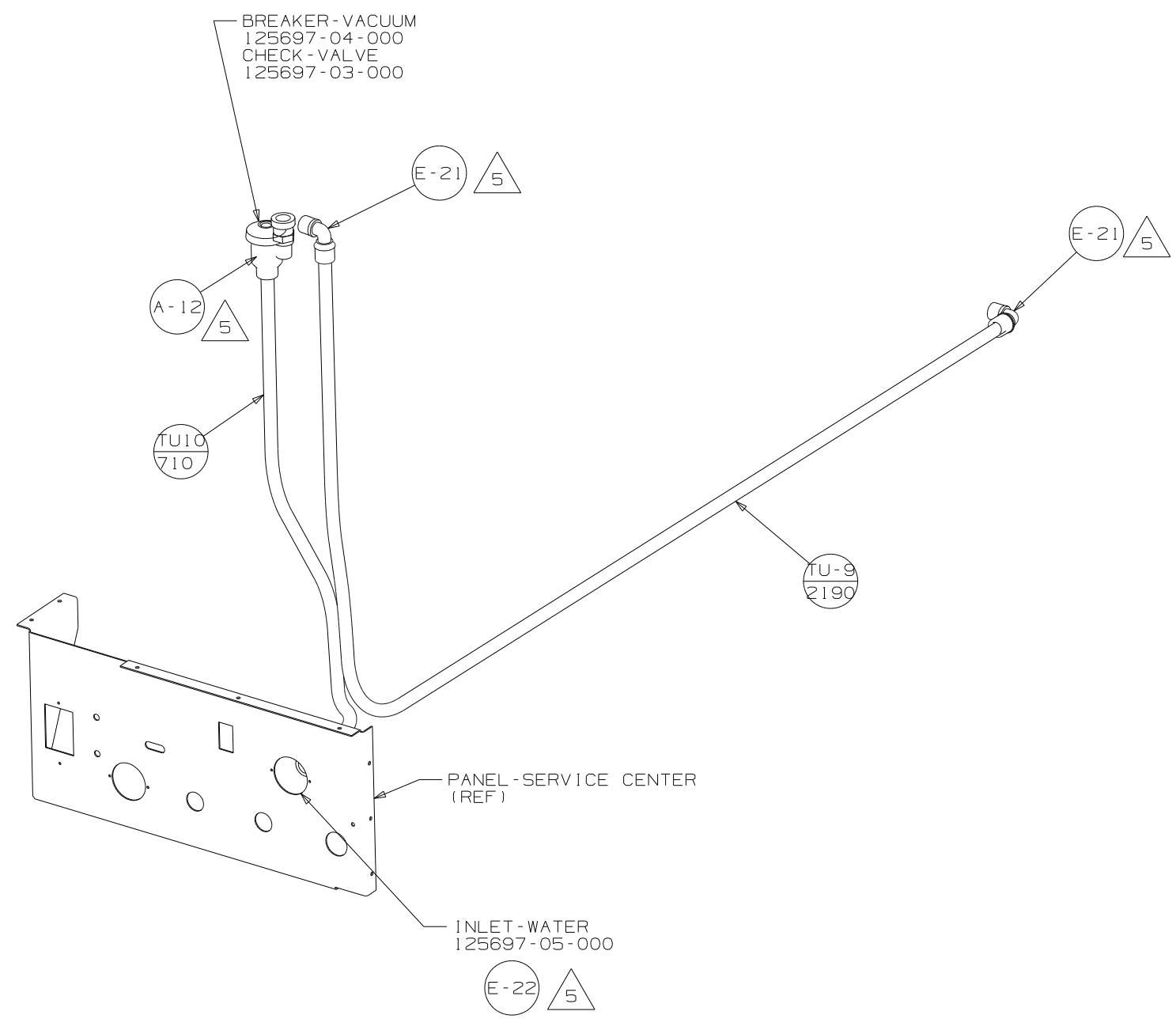
VIEW A



VIEW B

FIRST USED	03 427P
DO NOT SCALE DRAWING	
TITLE	WATER SYSTEM INSTL
SHEET 2	PART NO 142560





VIEW F

FIRST USED	03 427P
DO NOT SCALE DRAWING	
TITLE	WATER SYSTEM INSTL
SHEET 4	PART NO 142560