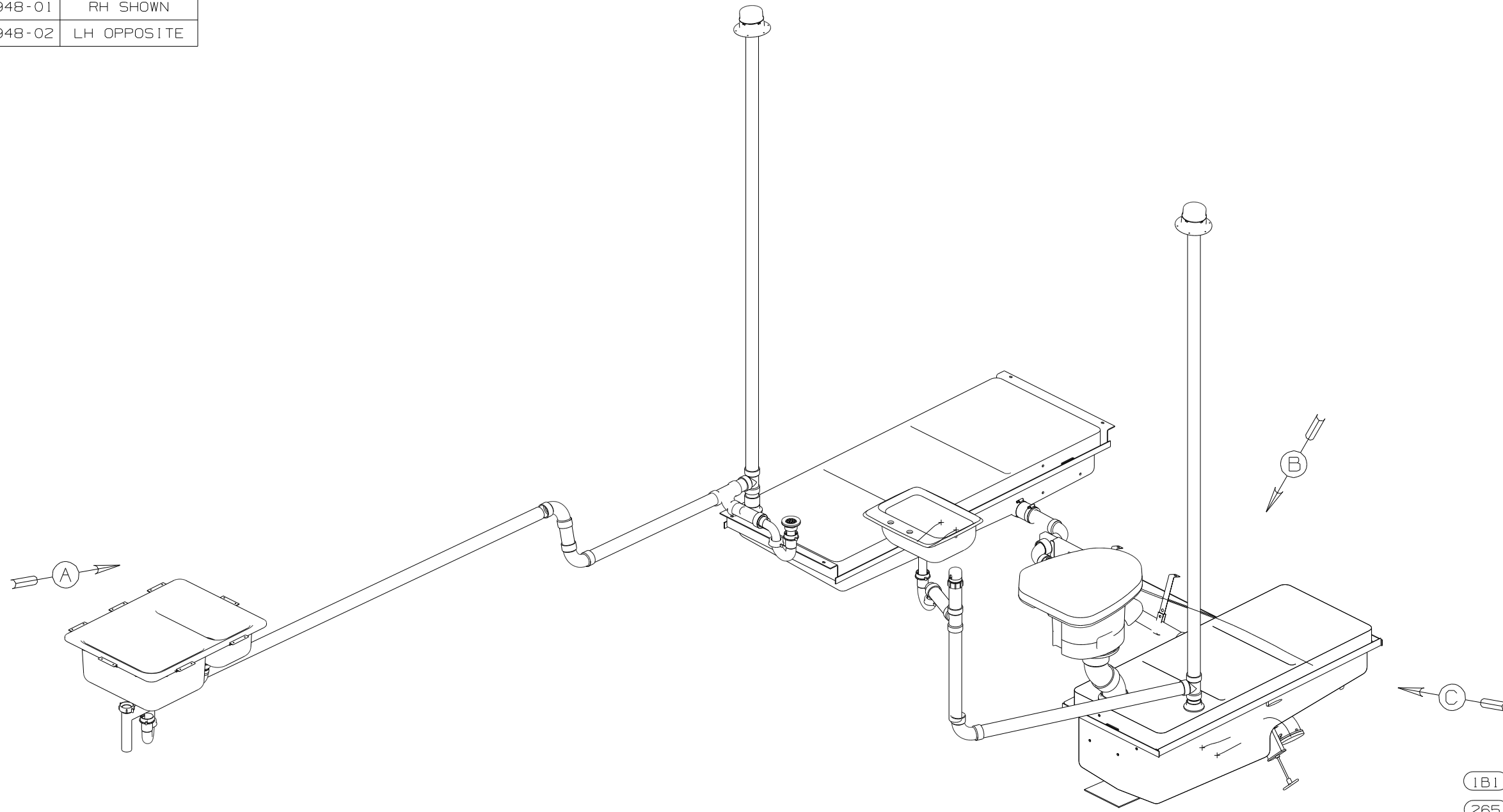


DWG NO	-----
140948-01	RH SHOWN
140948-02	LH OPPOSITE

RELEASE	REV DATE	DWG NO	140948
REV ZONE	REVISION RECORD	DATE	DFTR-0R16



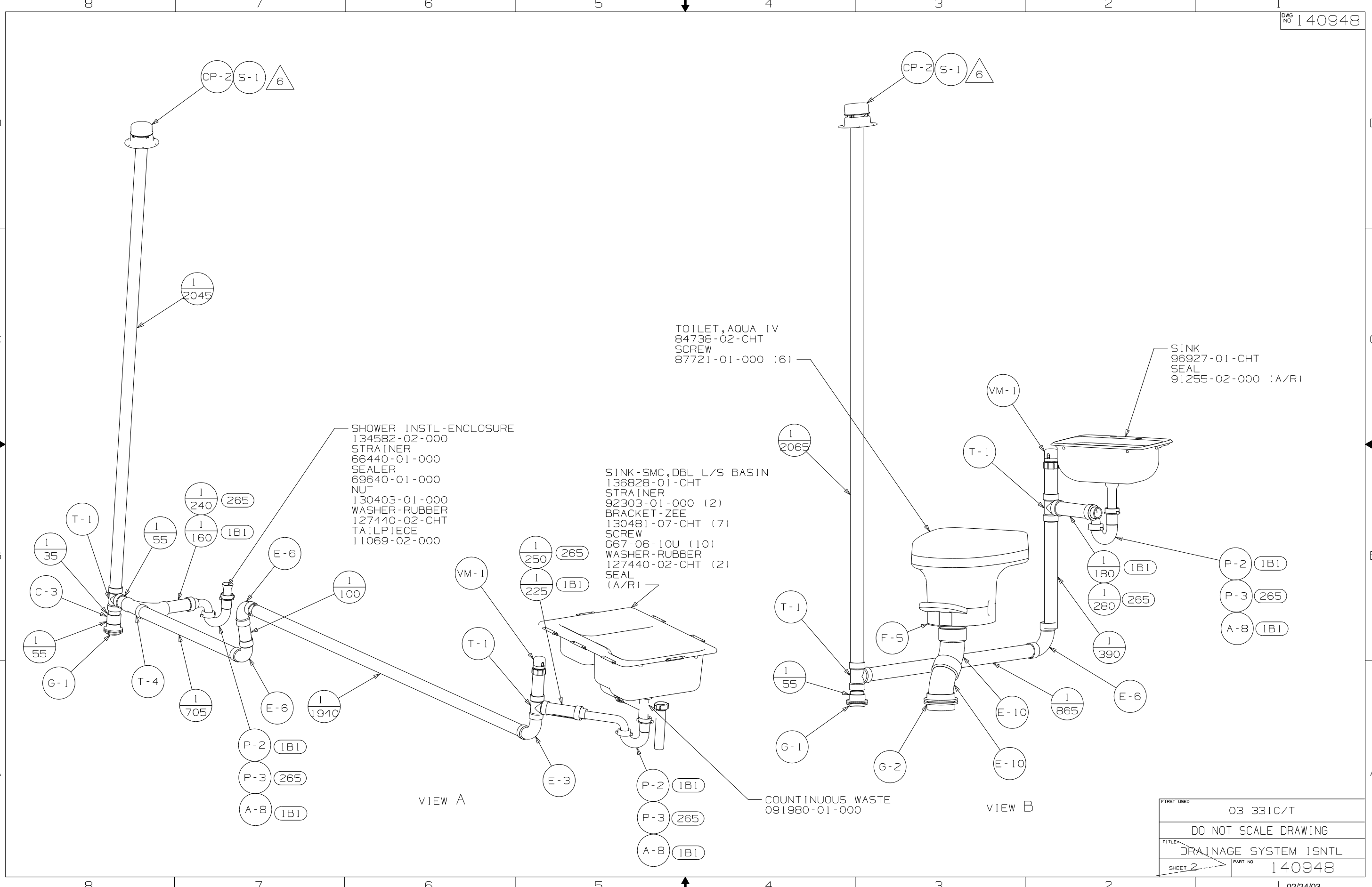
- (B) CODES/STANDARDS-USA
- (265) CODES/STANDARDS-CSA/CMVSS
- (23T) DRAINAGE SYSTEM-HEATED

- △ 8 WRAP PAD AROUND ON THE SIDES OF THE TANK.
- △ 7 SEE WIRING INSTL-BODY, 12V FOR ELECTRICAL CONNECTION.
- △ 6 VENT PIPE MUST PROJECT 51 MIN AND 64 MAX ABOVE ROOF FOR PROPER FIT AND FUNCTION.
- 5. SEAL AROUND SHOWER WITH SILICONE.
- 4. ALL EXTERIOR OPENINGS AROUND PIPE TO BE SEALED WITH 131264-03.
- 3. ALL PIPE AND FITTINGS TO BE ASSEMBLED WITH SOLVENT 4020-01-000.
- 2. SLOPE OF TRAP ARM MUST BE 6 PER 305 mm.
- 1. SLOPE OF HORIZONTAL PIPING TO BE MIN 3 PER 305 mm.

WINNEBAGO		COPYRIGHT 2003 WINNEBAGO INDUSTRIES, INC.	
DFTR	ORIG. DATE	ALL DIMENSIONS ARE IN MILLIMETERS	
CHKR		FIRST USED	
P.E.		03 331C/T	
M.E.		UNSPECIFIED TOLERANCES ARE:	
DSNR		MATERIAL:	
		WHOLE DIM (X)	: 7
		ONE-PLACE (X.X)	:
		TWO-PLACE (X.XX)	:
		ANGLE	:
THIRD ANGLE PROJECTION		DO NOT SCALE DRAWING	
TITLE: DRAINAGE SYSTEM INSTL			
SHEET 1 OF 3		PART NO 140948	

FOR
DRAINAGE
CALLOUTS
SEE DWG NO
116229-01-000

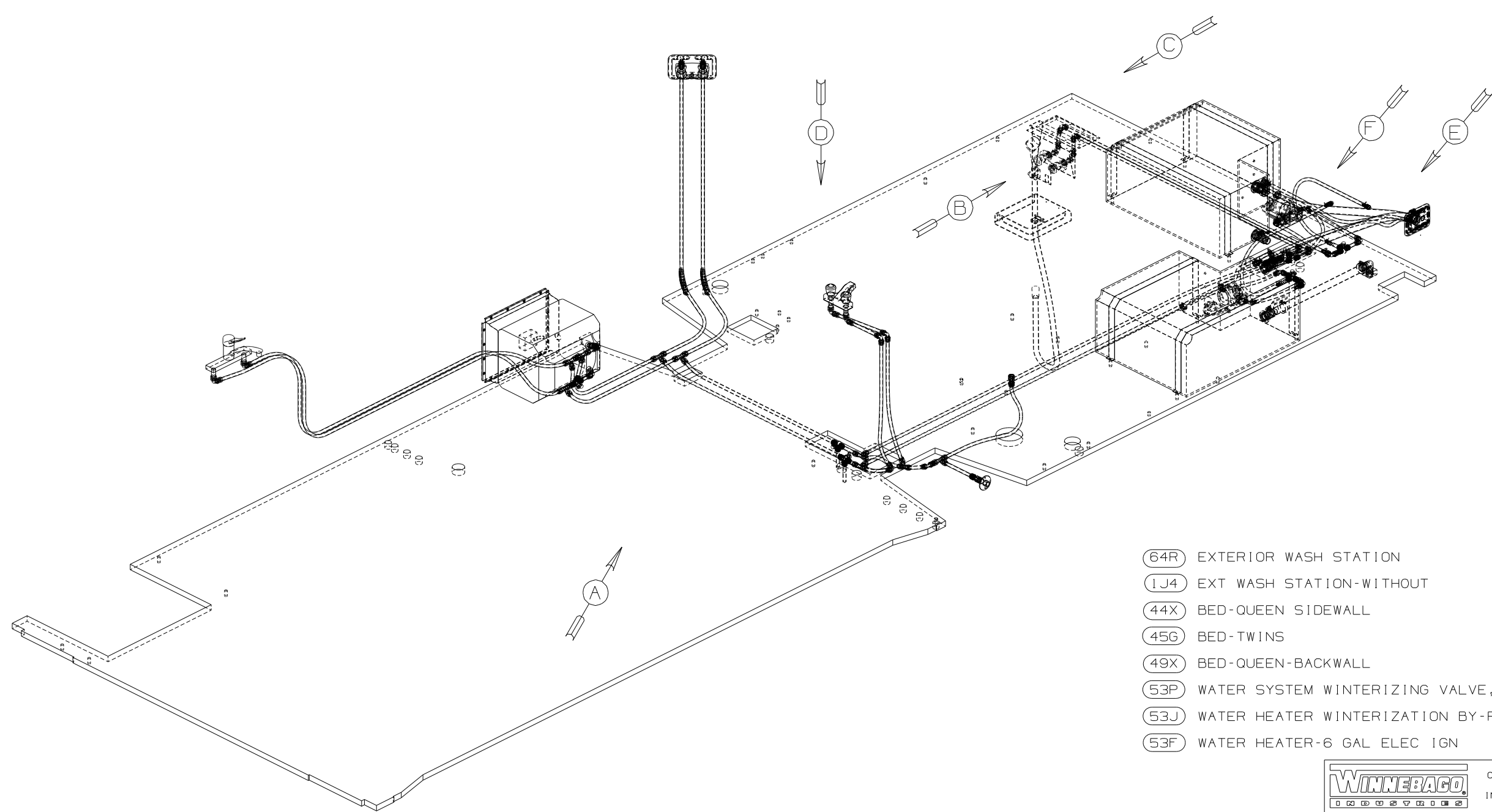
NOTES:



VIEW A

VIEW B

FIRST USED	03 331C/T
DO NOT SCALE DRAWING	
TITLE	DRAINAGE SYSTEM INSTL
SHEET 2	PART NO 140948

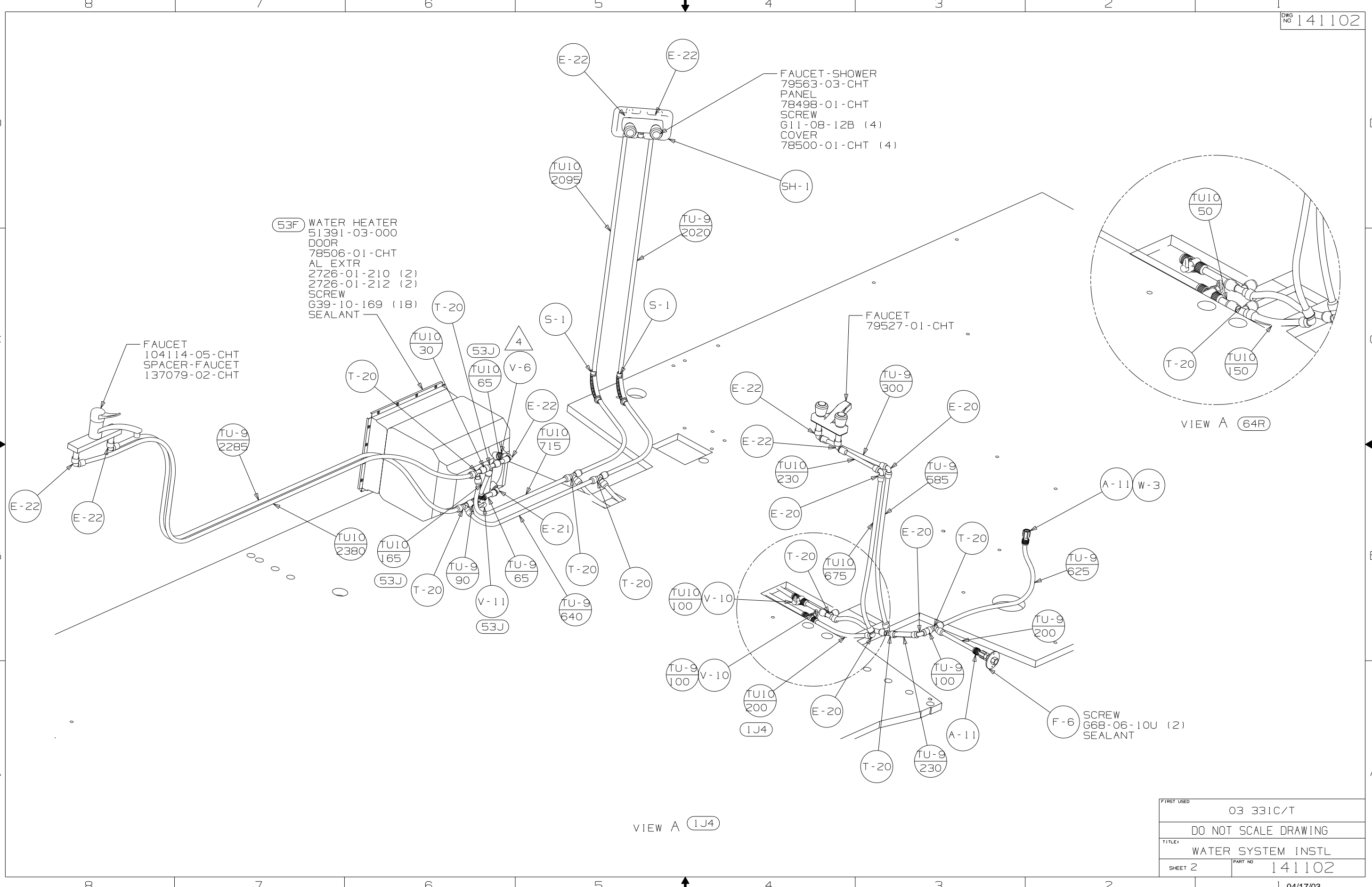


- (64R) EXTERIOR WASH STATION
- (1J4) EXT WASH STATION-WITHOUT
- (44X) BED-QUEEN SIDEWALL
- (45G) BED-TWINS
- (49X) BED-QUEEN-BACKWALL
- (53P) WATER SYSTEM WINTERIZING VALVE, MANUAL
- (53J) WATER HEATER WINTERIZATION BY-PASS VALVE
- (53F) WATER HEATER-6 GAL ELEC IGN

- NOTES:
- 5 ALL TEFLON TAPE 10405-01-000 TO FITTING.
 - 4 ADD TEFLON TAPE 10405-02-000 TO FITTING.
 - 3. ALL TUBING TO BE SECURED AT 1200 INTERVALS MAXIMUM WITH CLAMP 10495-01-000 OR CLIP 9151-01-000 AND SCREW G67-10-12B.
 - 2. TUBING TO BE INSTALLED WITH SUFFICIENT SLOPE TO PROVIDE DRAINAGE TO NEAREST VALVE.
 - 1. PLASTIC FITTINGS TO BE SEALED WITH SEALANT 84456-01-000.

WINNEBAGO		COPYRIGHT 2003 WINNEBAGO INDUSTRIES, INC.	
DFTR	ORIG. DATE	ALL DIMENSIONS ARE IN MILLIMETERS	
CHKR		FIRST USED	
P.E.		03 331C/T	
M.E.			
DSNR			
UNSPECIFIED TOLERANCES ARE:		MATERIAL:	
WHOLE DIM (X)	: 3		
ONE-PLACE (X.X)	:		
TWO-PLACE (X.XX)	:		
ANGLE	:		
THIRD ANGLE PROJECTION		DO NOT SCALE DRAWING	
TITLE: WATER SYSTEM INSTL			
SHEET 1 OF 5		PART NO 141102	
REF: 132927 1 04/17/03			

(X-X)
FOR
WATER
CALLOUTS
SEE DWG NO
116230-01-000

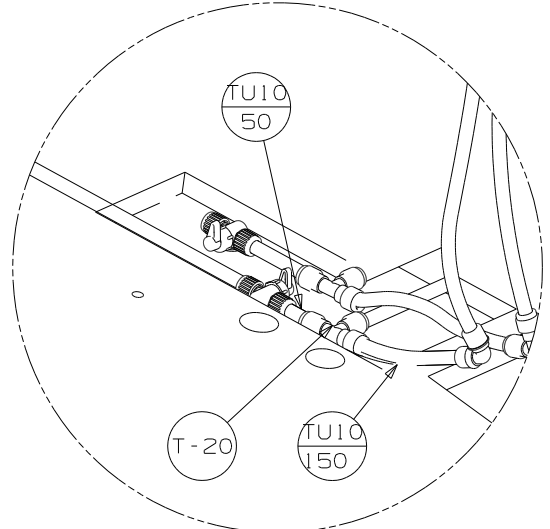


53F WATER HEATER
 51391-03-000
 DOOR
 78506-01-CHT
 AL EXTR
 2726-01-210 (2)
 2726-01-212 (2)
 SCREW
 639-10-169 (18)
 SEALANT

FAUCET - SHOWER
 79563-03-CHT
 PANEL
 78498-01-CHT
 SCREW
 G11-08-12B (4)
 COVER
 78500-01-CHT (4)

FAUCET
 104114-05-CHT
 SPACER-FAUCET
 137079-02-CHT

FAUCET
 79527-01-CHT

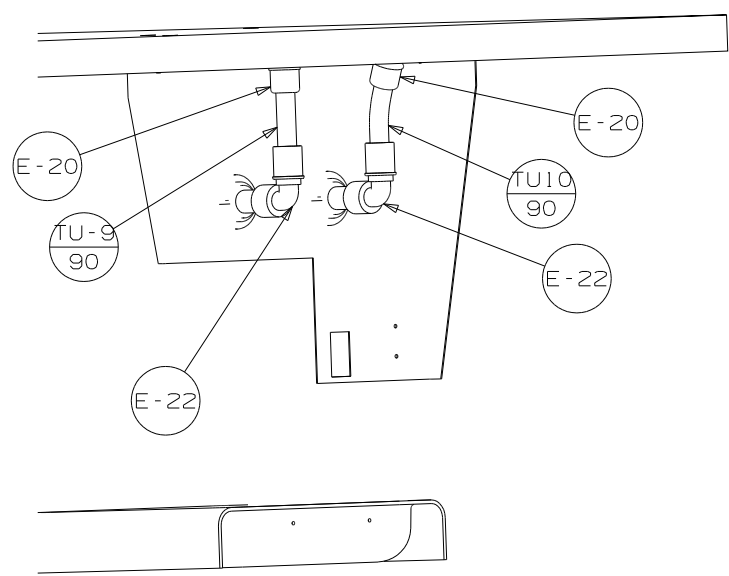


VIEW A (64R)

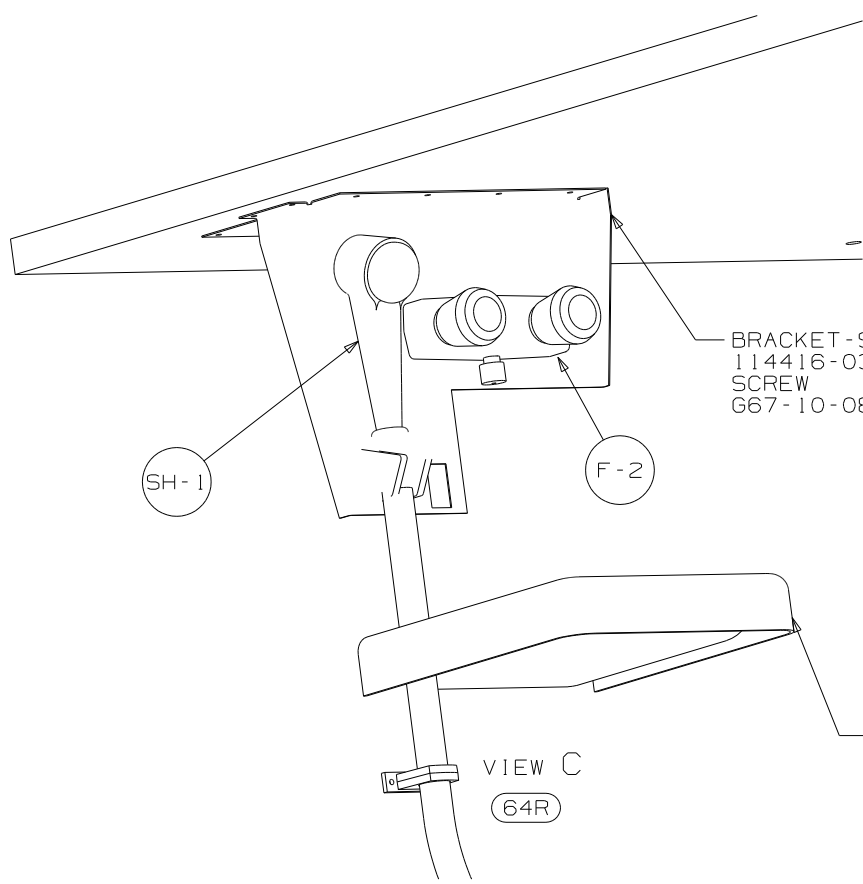
VIEW A (1J4)

F-6 SCREW
 G68-06-10U (2)
 SEALANT

FIRST USED	03 331C/T
TITLE	DO NOT SCALE DRAWING
SHEET 2	PART NO 141102
1 04/17/03	



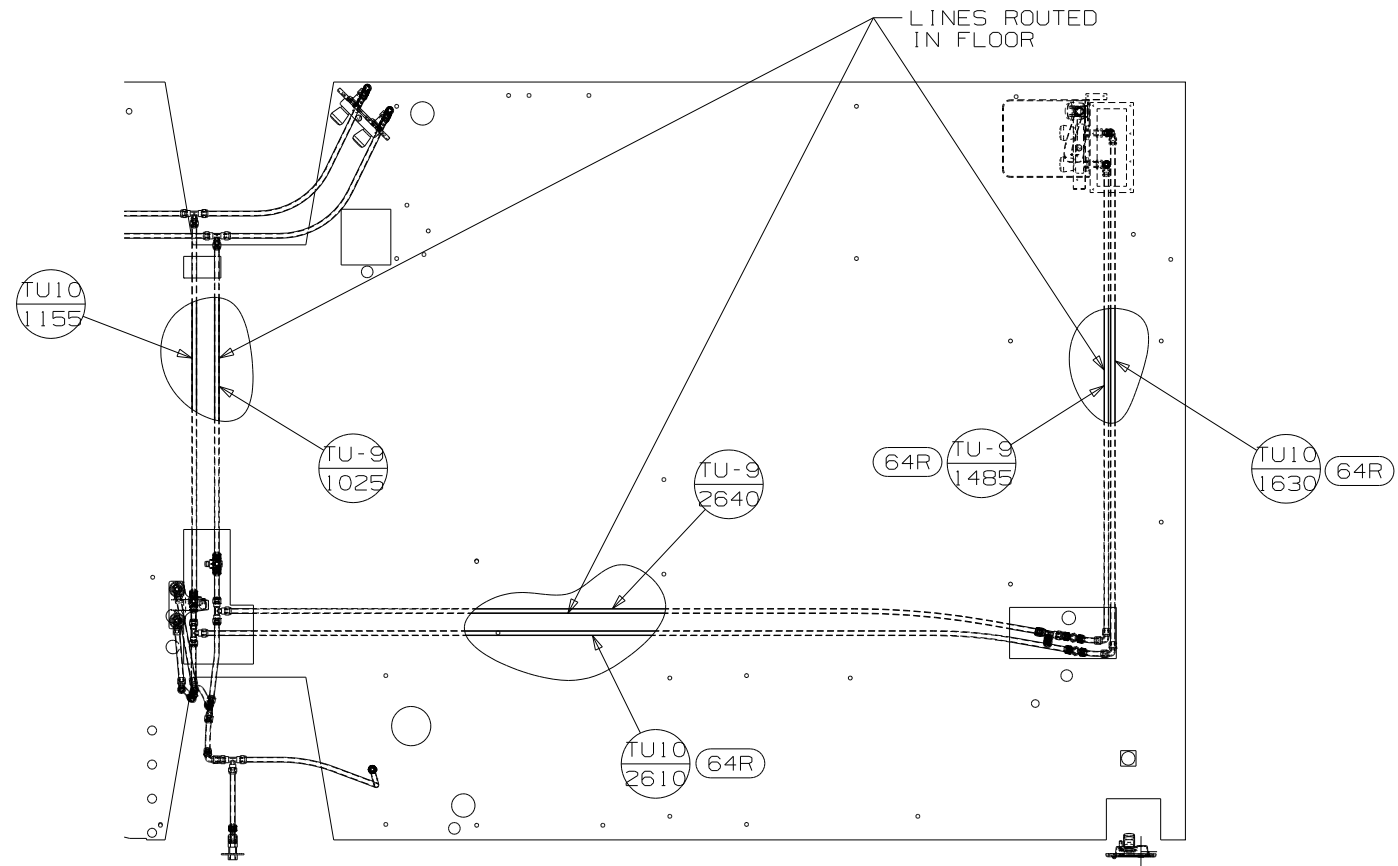
VIEW B
64R



VIEW C
64R

BRACKET-SUPPORT, FAUCET
114416-03-CHT
SCREW
G67-10-08T (6)

PAN-DRIP, EXTERIOR SHOWER
114293-01-CHT
SCREW
G67-10-08U (2)



VIEW D

FIRST USED	03 331C/T
TITLE	DO NOT SCALE DRAWING
SHEET 3	PART NO 141102

