



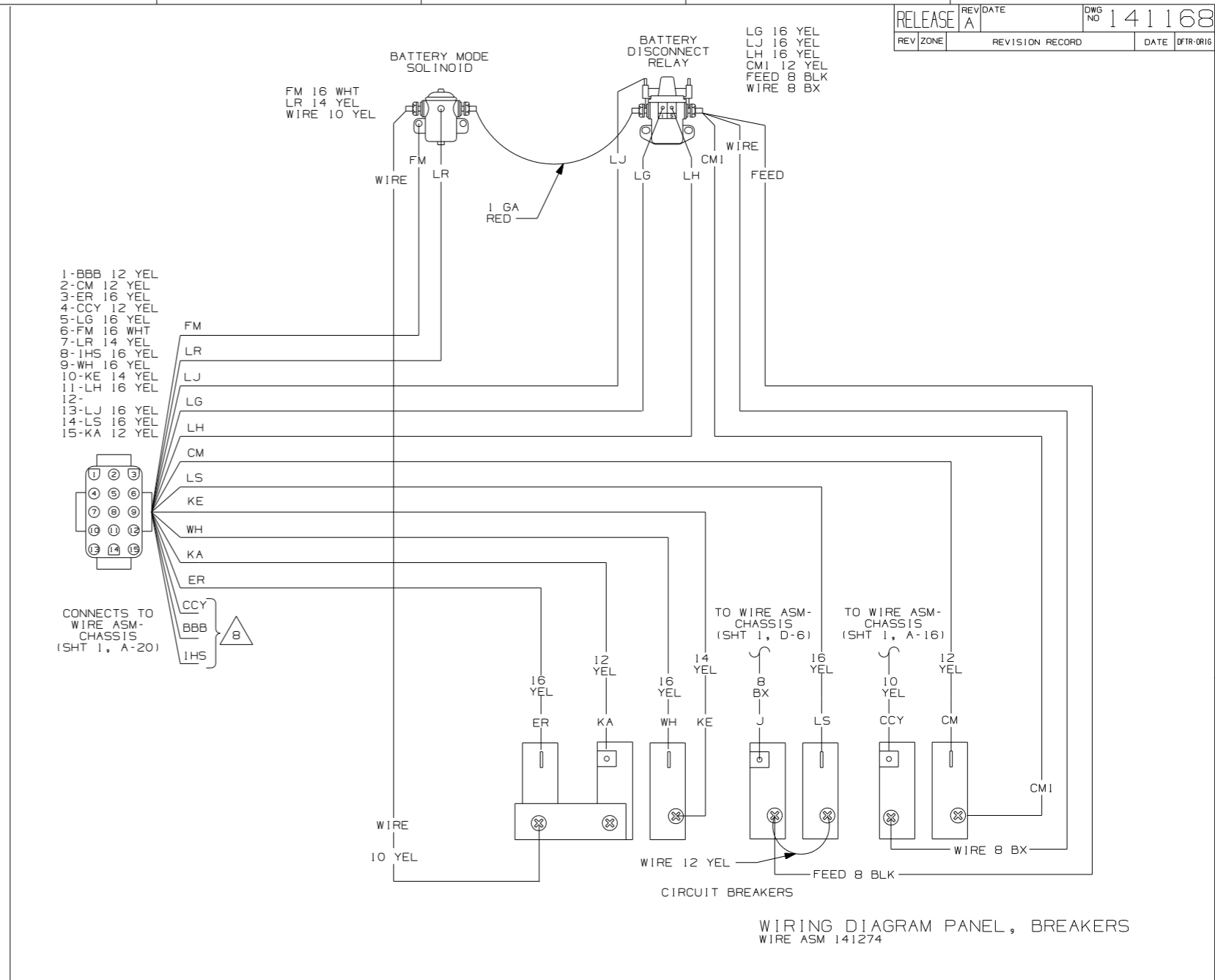
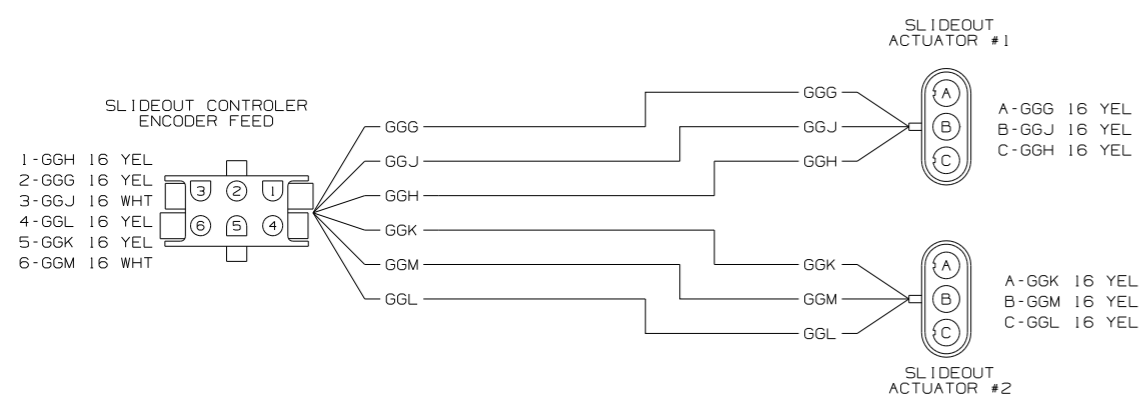
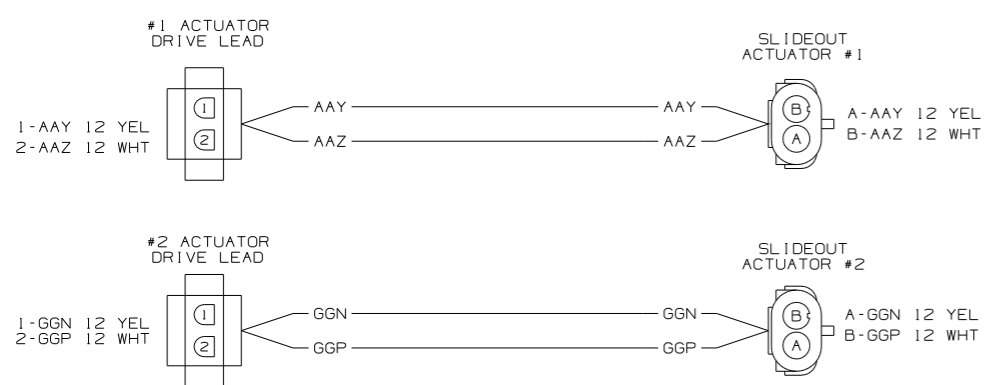
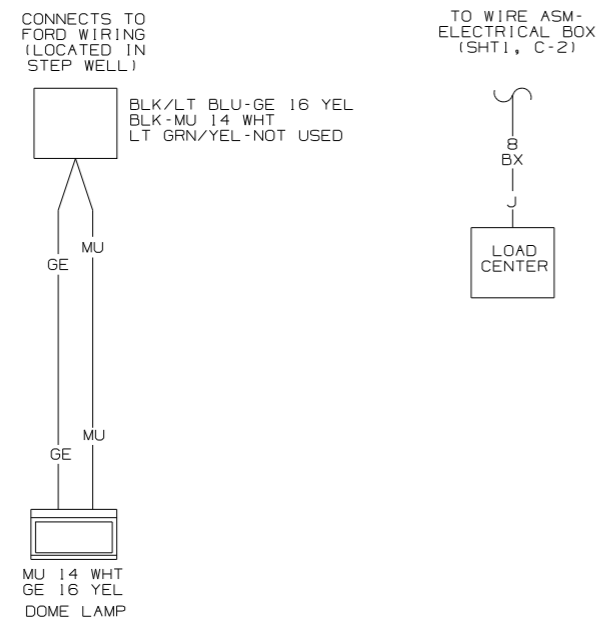
**DANGER**

**Danger of electrical shock, burns or death.** Always remove all power sources before attempting any repair, service or diagnostic work. Power can be present from shore power, generator, inverter or battery. All power sources must be disabled and secured before performing any service.



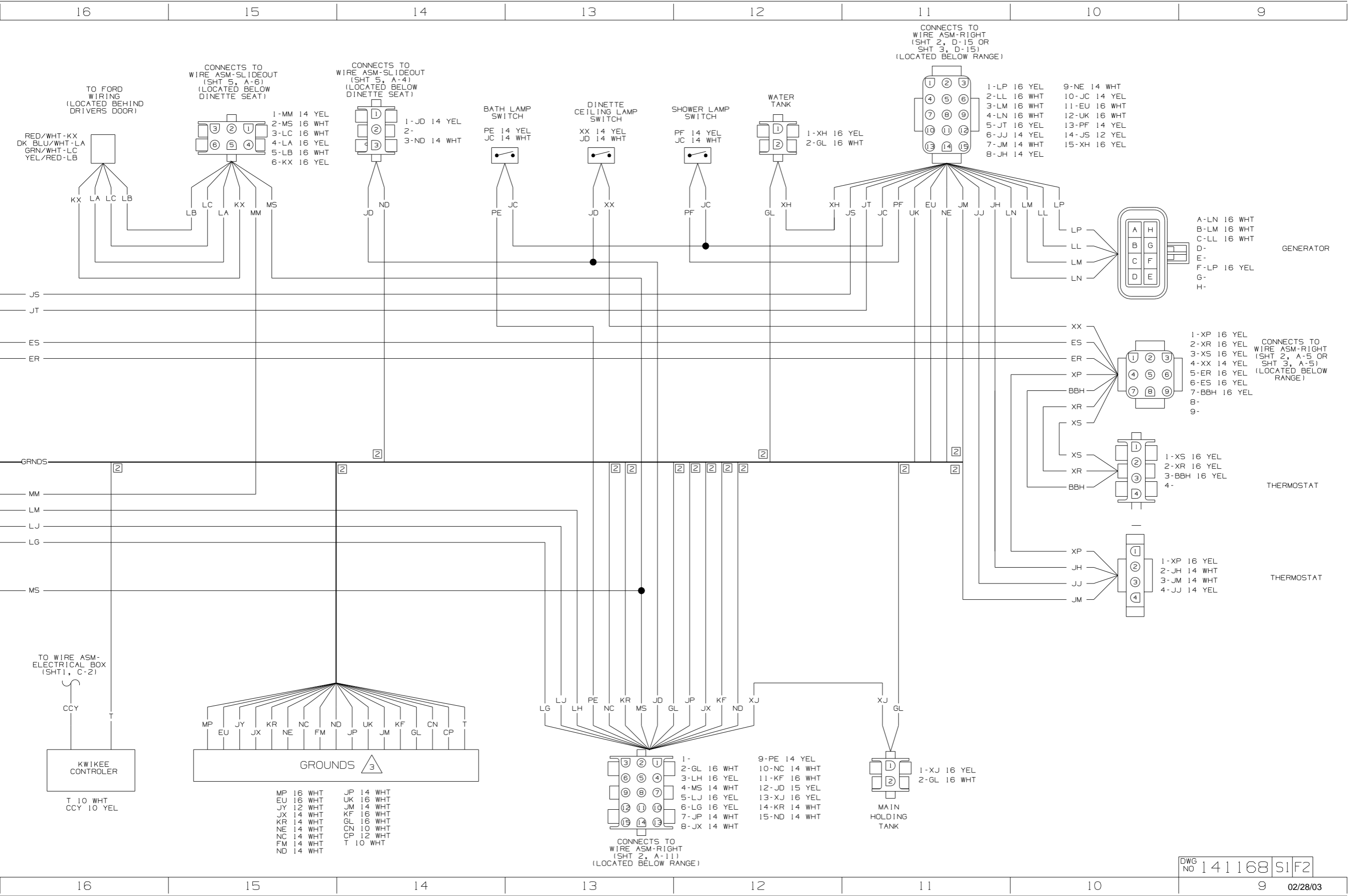
**CAUTION**

If you lack the skills, tools or equipment to perform diagnostic or repair work leave such work to an authorized Winnebago Industries dealer or other qualified shop.



WIRING DIAGRAM-CHASSIS  
WIRE ASM-141289 REV-H

<b>WINNEBAGO</b>		COPYRIGHT 2002 WINNEBAGO INDUSTRIES, INC.	
DFTR	ORIG. DATE	ALL DIMENSIONS ARE IN MILLIMETERS	
CHRR		FIRST USED	
P.E.		03 331C & T	
M.E.		UNSPECIFIED TOLERANCES ARE:	
DSNR		MATERIAL:	
		WHOLE DIM (X)	:
		ONE-PLACE (X.X)	:
		TWO-PLACE (X.XX)	:
		ANGLE	:
		THIRD ANGLE PROJECTION	⊕
DO NOT SCALE DRAWING			
TITLE: WIRING DIAGRAM-BODY, 12V			
SHEET 1 of 6	PART NO	141168	
REF: 138102 1		02/28/03	



TO FORD WIRING (LOCATED BEHIND DRIVERS DOOR)

CONNECTS TO WIRE ASM-SLIDEOUT (SHT 5, A-6) (LOCATED BELOW DINETTE SEAT)

CONNECTS TO WIRE ASM-SLIDEOUT (SHT 5, A-4) (LOCATED BELOW DINETTE SEAT)

CONNECTS TO WIRE ASM-RIGHT (SHT 2, D-15 OR SHT 3, D-15) (LOCATED BELOW RANGE)

RED/WHT-KX  
DK BLU/WHT-LA  
GRN/WHT-LC  
YEL/RED-LB

- 1-MM 14 YEL
- 2-MS 16 WHT
- 3-LC 16 WHT
- 4-LA 16 YEL
- 5-LB 16 WHT
- 6-KX 16 YEL

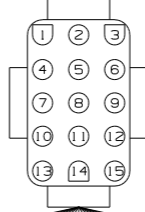
- 1-JD 14 YEL
- 2-ND 14 WHT
- 3-ND 14 WHT

BATH LAMP SWITCH  
PE 14 YEL  
JC 14 WHT

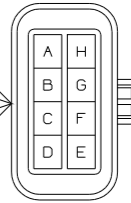
DINETTE CEILING LAMP SWITCH  
XX 14 YEL  
JD 14 WHT

SHOWER LAMP SWITCH  
PF 14 YEL  
JC 14 WHT

WATER TANK  
1-XH 16 YEL  
2-GL 16 WHT

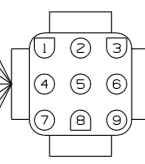


- 1-LP 16 YEL
- 2-LL 16 WHT
- 3-LM 16 WHT
- 4-LN 16 WHT
- 5-JT 16 YEL
- 6-JJ 14 YEL
- 7-JM 14 WHT
- 8-JH 14 YEL
- 9-NE 14 WHT
- 10-JC 14 YEL
- 11-EU 16 WHT
- 12-UK 16 WHT
- 13-PF 14 YEL
- 14-JS 12 YEL
- 15-XH 16 YEL



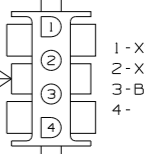
- A-LN 16 WHT
- B-LM 16 WHT
- C-LL 16 WHT
- D-
- E-
- F-LP 16 YEL
- G-
- H-

GENERATOR



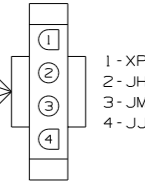
- 1-XP 16 YEL
- 2-XR 16 YEL
- 3-XS 16 YEL
- 4-XX 14 YEL
- 5-ER 16 YEL
- 6-ES 16 YEL
- 7-BBH 16 YEL
- 8-
- 9-

CONNECTS TO WIRE ASM-RIGHT (SHT 2, A-5 OR SHT 3, A-5) (LOCATED BELOW RANGE)



- 1-XS 16 YEL
- 2-XR 16 YEL
- 3-BBH 16 YEL
- 4-

THERMOSTAT

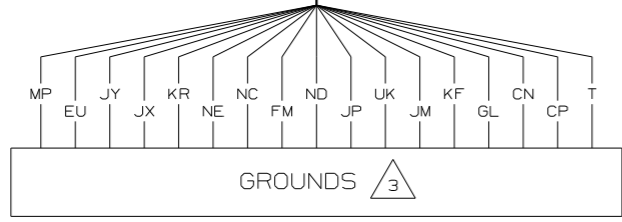


- 1-XP 16 YEL
- 2-JH 14 WHT
- 3-JM 14 WHT
- 4-JJ 14 YEL

THERMOSTAT

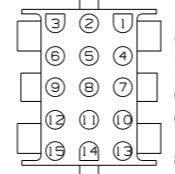
JS  
JT  
ES  
ER

GRNDS  
MM  
LM  
LJ  
LG  
MS



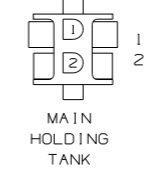
- MP 16 WHT
- EU 16 WHT
- JY 12 WHT
- JX 14 WHT
- KR 14 WHT
- NE 14 WHT
- NC 14 WHT
- FM 14 WHT
- ND 14 WHT
- JP 14 WHT
- UK 16 WHT
- JM 14 WHT
- KF 16 WHT
- GL 16 WHT
- CN 10 WHT
- CP 12 WHT
- T 10 WHT
- JP 14 WHT
- UK 16 WHT
- JM 14 WHT
- KF 16 WHT
- GL 16 WHT
- CN 10 WHT
- CP 12 WHT
- T 10 WHT

- LG
- LJ
- LH
- PE
- NC
- KR
- MS
- JD
- GL
- JP
- JX
- KF
- ND
- XJ



- 1-
- 2-GL 16 WHT
- 3-LH 16 YEL
- 4-MS 14 WHT
- 5-LJ 16 YEL
- 6-LG 16 YEL
- 7-JP 14 WHT
- 8-JX 14 WHT
- 9-PE 14 YEL
- 10-NC 14 WHT
- 11-KF 16 WHT
- 12-JD 15 YEL
- 13-XJ 16 YEL
- 14-KR 14 WHT
- 15-ND 14 WHT

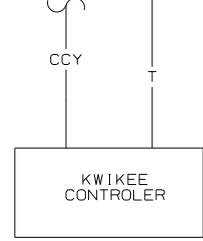
CONNECTS TO WIRE ASM-RIGHT (SHT 2, A-11) (LOCATED BELOW RANGE)



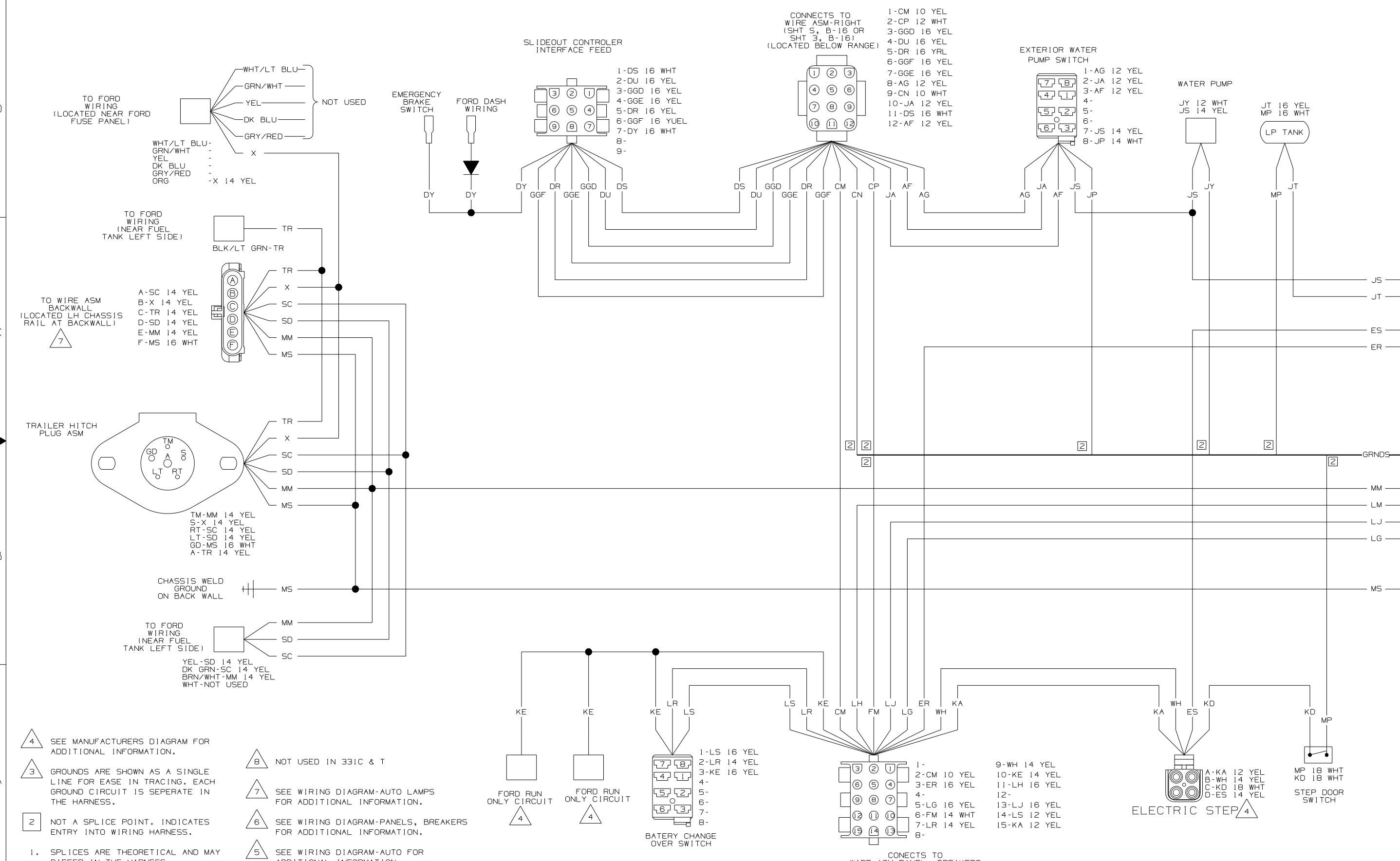
- 1-XJ 16 YEL
- 2-GL 16 WHT

MAIN HOLDING TANK

TO WIRE ASM-ELECTRICAL BOX (SHT 1, C-2)



T 10 WHT  
CCY 10 YEL

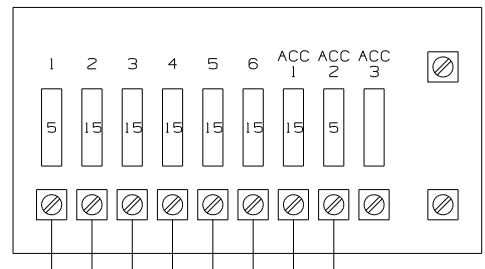


- 4 SEE MANUFACTURERS DIAGRAM FOR ADDITIONAL INFORMATION.
- 3 GROUNDS ARE SHOWN AS A SINGLE LINE FOR EASE IN TRACING. EACH GROUND CIRCUIT IS SEPERATE IN THE HARNESS.
- 2 NOT A SPLICE POINT. INDICATES ENTRY INTO WIRING HARNESS.
1. SPLICES ARE THEORETICAL AND MAY DIFFER IN THE HARNESS.

- 8 NOT USED IN 331C & T
- 7 SEE WIRING DIAGRAM-AUTO LAMPS FOR ADDITIONAL INFORMATION.
- 6 SEE WIRING DIAGRAM-PANELS, BREAKERS FOR ADDITIONAL INFORMATION.
- 5 SEE WIRING DIAGRAM-AUTO FOR ADDITIONAL INFORMATION.

CONTROL CENTER

ET 16 YEL  
JC 14 YEL  
JD 14 YEL  
JE 14 YEL  
NM 12 YEL  
JB 14 YEL  
JA 12 YEL  
WB 16 YEL



ENTERTAINMENT CENTER WALLPLATE

JA 14 YEL  
JP 14 WHT

BEDROOM TV WALLPLATE

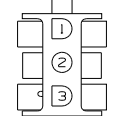
JA 14 YEL  
JP 14 WHT

CONNECTS TO EXTERIOR ENTERTAINMENT CENTER (SHT 5, D-1 OR D-5) (LOCATED BEHIND EXT ENT CTR)



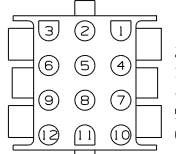
1-JA 14 YEL  
2-JP 14 WHT

CONNECTS TO RANGE HOOD



1-JA 14 YEL  
2-JP 14 WHT  
3-JP 14 WHT

CONNECTS TO WIRE ASM-ROOF (SHT 4, B-8) (LOCATED IN GALLEY OVHD)



1-JE 14 YEL  
2-NE 14 WHT  
3-PL 14 YEL  
4-MM 14 YEL  
5-MS 14 WHT  
6-XX 14 YEL

7-JC 14 YEL  
8-NC 14 WHT  
9-ND 14 WHT  
10-PE 14 YEL  
11-PC 14 YEL  
12-PF 14 YEL

BEDROOM CEILING LAMP SWITCH

JC 14 YEL  
PC 14 YEL

PORCH LAMP SWITCH

JE 14 YEL  
PJ 14 YEL

LOUNGE LAMP SWITCH

JE 14 YEL  
PL 14 YEL

HALL LAMP SWITCH

JE 14 YEL  
WX 14 YEL

ET  
WB  
JB  
JA  
JC  
NE  
JD  
JM  
JP  
ND  
NC  
XK  
MS  
PF  
PE

NY 14 YEL  
JE 14 YEL  
NU 14 YEL  
AISLE LAMP SWITCH

NY 14 YEL  
PH 14 YEL  
NU 14 YEL  
AISLE LAMP SWITCH

NE 14 WHT  
PH 14 YEL  
AISLE LAMP

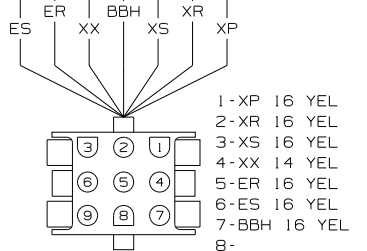
NE 14 WHT  
PH 14 YEL  
AISLE LAMP

1-XK 16 YEL  
2-GL 16 WHT

CONNECTS TO AUX HOLDING TANK

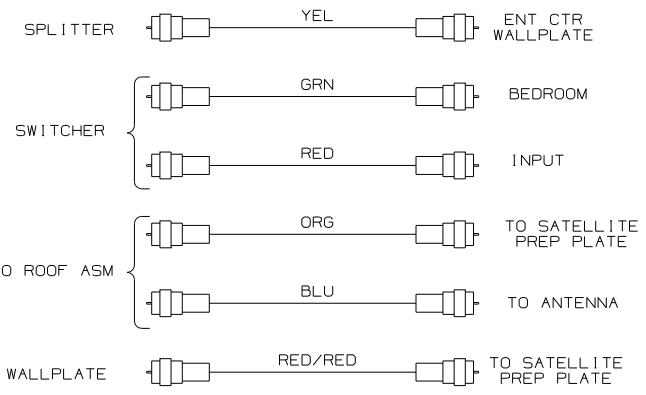
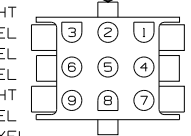
ES 16 YEL  
ER 16 YEL  
ELECTRIC STEP KILL SWITCH

CONNECTS TO WIRE ASM-CHASSIS (SHT 1, C-9) (LOCATED BELOW RANGE)



1-JM 14 WHT  
2-XP 16 YEL  
3-XR 16 YEL  
4-XS 16 YEL  
5-KR 14 WHT  
6-WX 14 YEL  
7-BBH 16 YEL  
8-  
9-

CONNECTS TO WIRE ASM-ROOF (SHT 4, C-8) (LOCATED IN GALLEY OVHD)



GALLEY OVHD LAMP  
NE 14 WHT  
JE 14 YEL

SIDEMARKER LAMP  
MM 14 WHT  
MS 14 YEL

CONNECTS TO WIRE ASM-PORCH LAMP (SHT 5, D-8) (LOCATED BELOW GALLEY SINK)  
1-PJ 14 YEL  
2-NE 14 WHT

WIRING DIAGRAM RIGHT  
WIRE ASM 141288 REV-A

03 331C  
DO NOT SCALE DRAWING  
TITLE: WIRING DIAGRAM-BODY, 12V  
SHEET 2 PART NO 141168

D  
C  
B  
A

CONNECTS TO  
WIRE ASM-CHASSIS  
(SHT 1, D-11)  
(LOCATED BELOW RANGE)

CONNECTS TO  
FURNACE

CONNECTS TO  
WATER HEATER

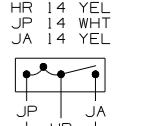
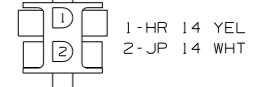
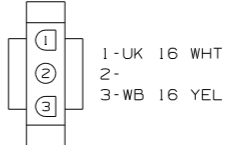
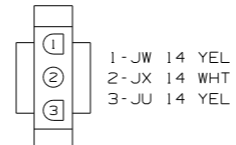
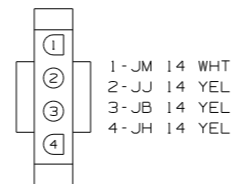
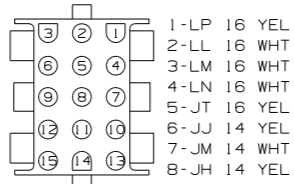
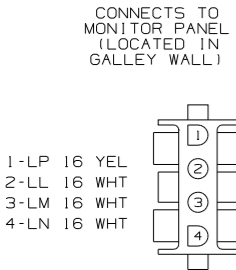
CONNECTS TO  
LP DETECTOR

CONNECTS TO  
WIRE ASM-  
HEATER RELAY  
(SHT 5, B-2)  
(LOCATED BEHIND  
LOAD CENTER)

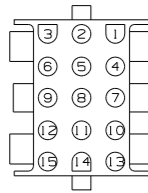
DRAINAGE TANK  
HEATER SWITCH

CONNECTS TO  
MONITOR PANEL  
(LOCATED IN  
GALLEY WALL)

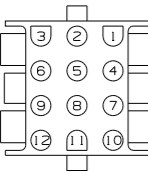
CONNECTS TO  
MONITOR PANEL  
(LOCATED IN  
GALLEY WALL)



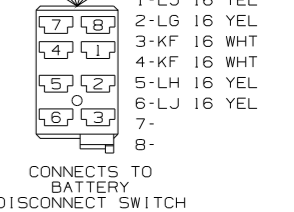
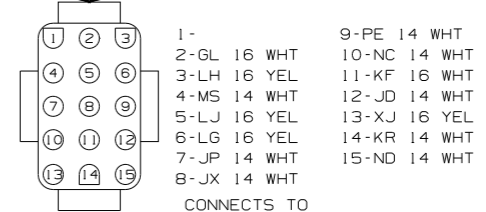
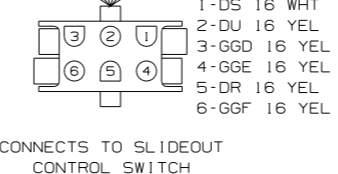
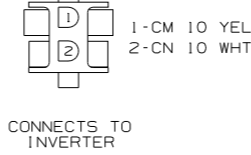
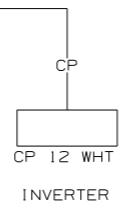
- 1-JA 14 YEL
- 2-
- 3-JP 14 YEL
- 4-XH 16 YEL
- 5-XJ 16 YEL
- 6-XK 16 YEL
- 7-AG 12 YEL
- 8-JS 12 YEL
- 9-AF 12 YEL
- 10-
- 11-JP 14 WHT
- 12-JT 16 YEL
- 13-JW 14 YEL
- 14-
- 15-JU 14 YEL



- 1-CM 10 YEL
- 2-CP 12 WHT
- 3-GGD 16 YEL
- 4-DU 16 YEL
- 5-DR 16 YEL
- 6-GGF 16 YEL
- 7-GGE 16 YEL
- 8-AG 12 YEL
- 9-CN 10 WHT
- 10-JA 12 YEL
- 11-DS 16 WHT
- 12-AF 12 YEL

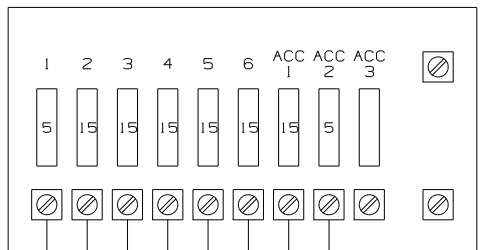


CONNECTS TO  
WIRE ASM-CHASSIS  
(SHT 1, D-20)  
(LOCATED BELOW RANGE)

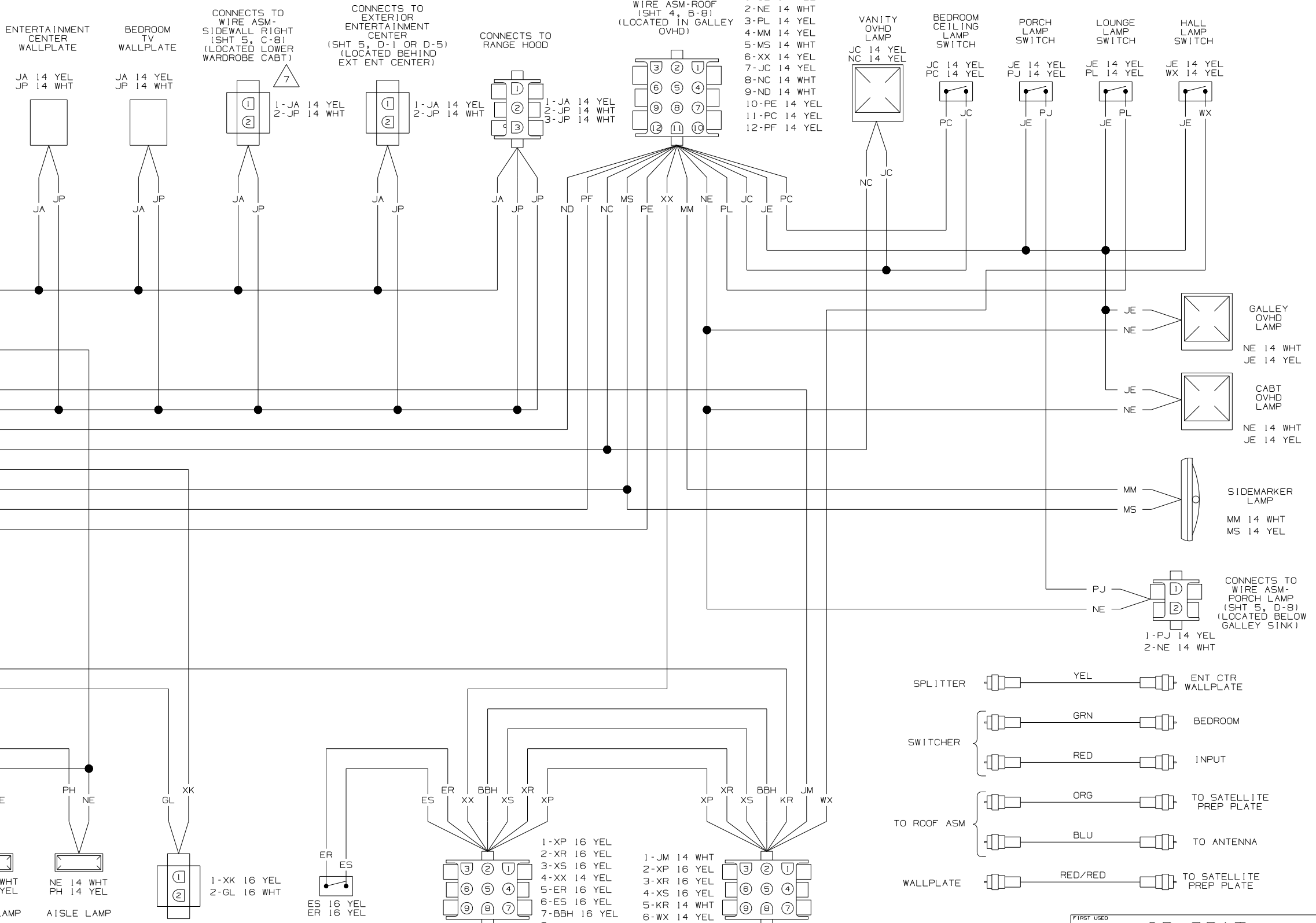


- NOTES:
- 4. SEE MANUFACTURERS DIAGRAM FOR ADDITIONAL INFORMATION.
  - 3. GROUNDS ARE SHOWN AS A SINGLE LINE FOR EASE IN TRACING. EACH GROUND CIRCUIT IS SEPERATE IN THE HARNESS.
  - 2. NOT A SPLICE POINT. INDICATES ENTRY INTO WIRING HARNESS.
  - 1. SPLICES ARE THEORETICAL AND MAY DIFFER IN THE HARNESS.
  - 6. SEE WIRING DIAGRAM-HEATER, RELAY FOR ADDITIONAL INFORMATION. (SHT 6, C-8)
  - 5. SEE WIRING DIAGRAM-AUTO FOR ADDITIONAL INFORMATION.

CONTROL CENTER



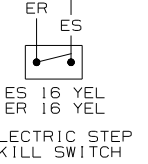
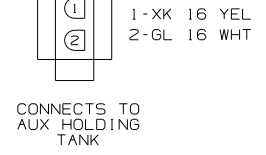
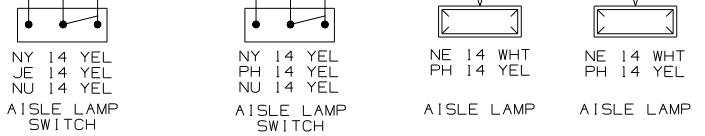
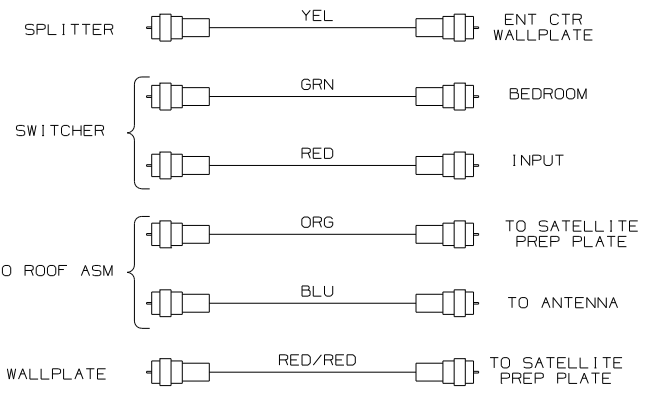
- ET 16 YEL
- JC 14 YEL
- JD 14 YEL
- JE 14 YEL
- NM 12 YEL
- NB 14 YEL
- JA 12 YEL
- WB 16 YEL



- CONNECTS TO WIRE ASM-ROOF (SHT 4, B-8) (LOCATED IN GALLEY OVHD)
- 1-JE 14 YEL
  - 2-NE 14 WHT
  - 3-PL 14 YEL
  - 4-MM 14 YEL
  - 5-MS 14 WHT
  - 6-XX 14 YEL
  - 7-JC 14 YEL
  - 8-NC 14 WHT
  - 9-ND 14 WHT
  - 10-PE 14 YEL
  - 11-PC 14 YEL
  - 12-PF 14 YEL

- CONNECTS TO WIRE ASM-ROOF (SHT 4, C-8) (LOCATED IN GALLEY OVHD)
- 1-JM 14 WHT
  - 2-XP 16 YEL
  - 3-XR 16 YEL
  - 4-XS 16 YEL
  - 5-KR 14 WHT
  - 6-WX 14 YEL
  - 7-BBH 16 YEL
  - 8-
  - 9-

- CONNECTS TO WIRE ASM-CHASSIS (SHT 1, C-9) (LOCATED BELOW RANGE)
- 1-XP 16 YEL
  - 2-XR 16 YEL
  - 3-XS 16 YEL
  - 4-XX 14 YEL
  - 5-ER 16 YEL
  - 6-ES 16 YEL
  - 7-BBH 16 YEL
  - 8-
  - 9-



WIRING DIAGRAM RIGHT  
WIRE ASM 141539 REV-C

FIRST USED	03 331T	
DO NOT SCALE DRAWING		
TITLE	WIRING DIAGRAM-BODY, 12V	
SHEET 3	PART NO	141168

CONNECTS TO  
WIRE ASM-CHASSIS  
(SHT 1, D-11)  
(LOCATED BELOW RANGE)

CONNECTS TO  
FURNACE

CONNECTS TO  
WATER HEATER

CONNECTS TO  
LP DETECTOR

CONNECTS TO  
WIRE ASM-  
HEATER RELAY  
(SHT 5, B-2)  
(LOCATED BEHIND  
LOAD CENTER)

DRAINAGE TANK  
HEATER SWITCH

CONNECTS TO  
MONITOR PANEL  
(LOCATED IN  
GALLEY WALL)

CONNECTS TO  
MONITOR PANEL  
(LOCATED IN  
GALLEY WALL)

- 1-LP 16 YEL
- 2-LL 16 WHT
- 3-LM 16 WHT
- 4-LN 16 WHT

- 1-JA 14 YEL
- 2-
- 3-JP 14 YEL
- 4-XH 16 YEL
- 5-XJ 16 YEL
- 6-XK 16 YEL
- 7-AG 12 YEL
- 8-JS 12 YEL
- 9-AF 12 YEL
- 10-
- 11-JP 14 WHT
- 12-JT 16 YEL
- 13-JW 14 YEL
- 14-
- 15-JU 14 YEL

- 1-CM 10 YEL
- 2-CP 12 WHT
- 3-GGD 16 YEL
- 4-DU 16 YEL
- 5-DR 16 YEL
- 6-GGF 16 YEL
- 7-GGE 16 YEL
- 8-AG 12 YEL
- 9-CN 10 WHT
- 10-JA 12 YEL
- 11-DS 16 WHT
- 12-AF 12 YEL

CONNECTS TO  
WIRE ASM-CHASSIS  
(SHT 1, D-20)  
(LOCATED BELOW RANGE)

- 1-LP 16 YEL
- 2-LL 16 WHT
- 3-LM 16 WHT
- 4-LN 16 WHT
- 5-JT 16 YEL
- 6-JJ 14 YEL
- 7-JM 14 WHT
- 8-JH 14 YEL
- 9-NE 14 WHT
- 10-JC 14 YEL
- 11-EU 16 WHT
- 12-UK 16 WHT
- 13-PF 14 YEL
- 14-JS 12 YEL
- 15-XH 16 YEL

- 1-JM 14 WHT
- 2-JJ 14 YEL
- 3-JB 14 YEL
- 4-JH 14 YEL

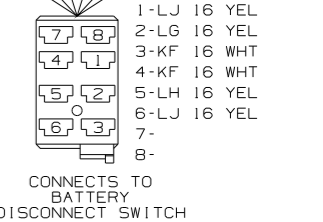
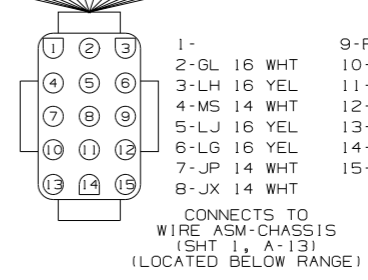
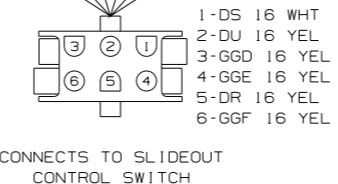
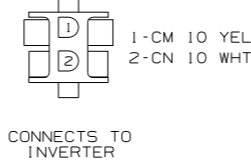
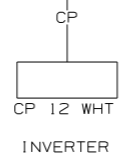
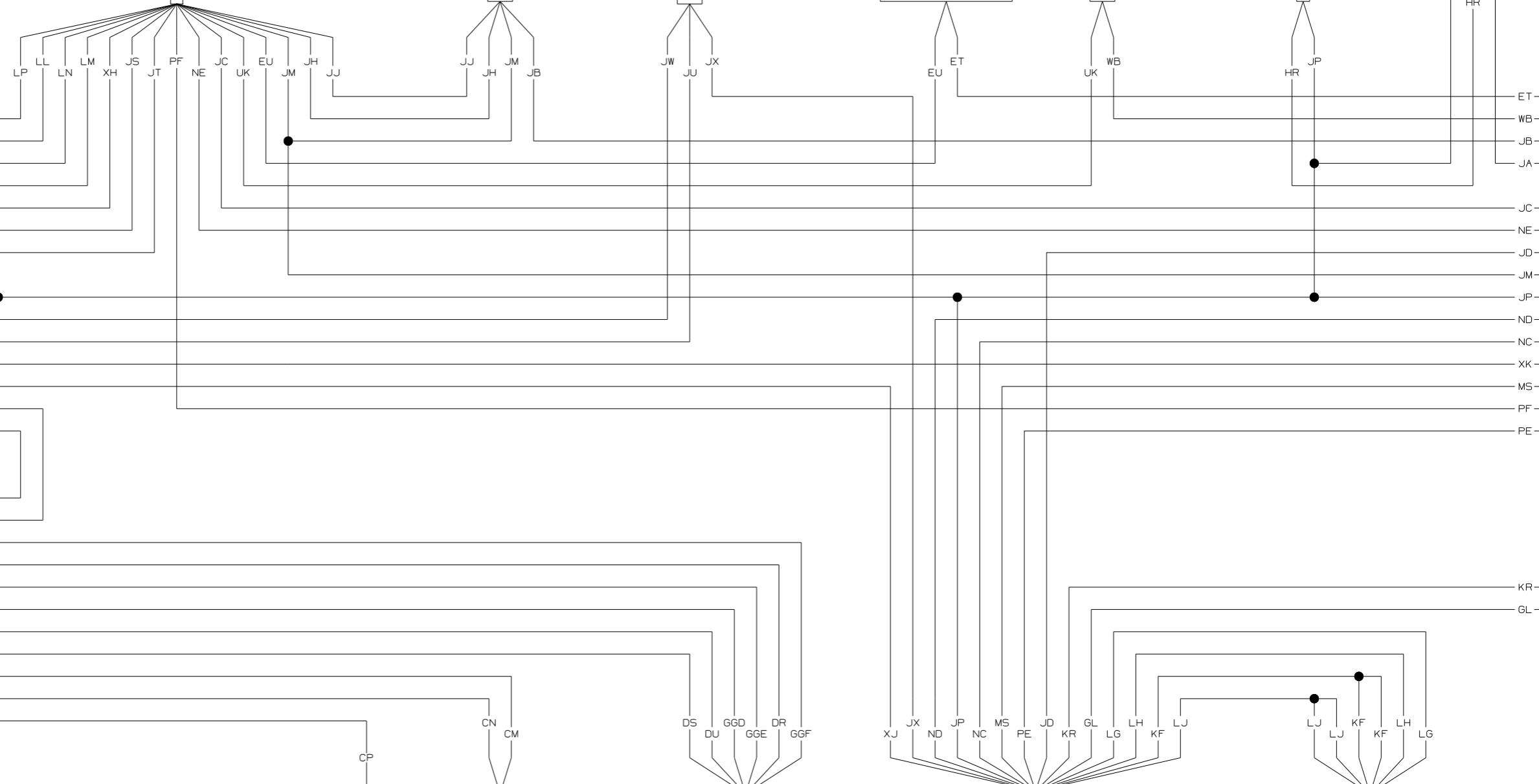
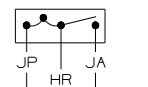
- 1-JW 14 YEL
- 2-JX 14 WHT
- 3-JU 14 YEL

- 1-UK 16 WHT
- 2-
- 3-WB 16 YEL

- 1-HR 14 YEL
- 2-JP 14 WHT

- HR 14 YEL
- JP 14 WHT
- JA 14 YEL

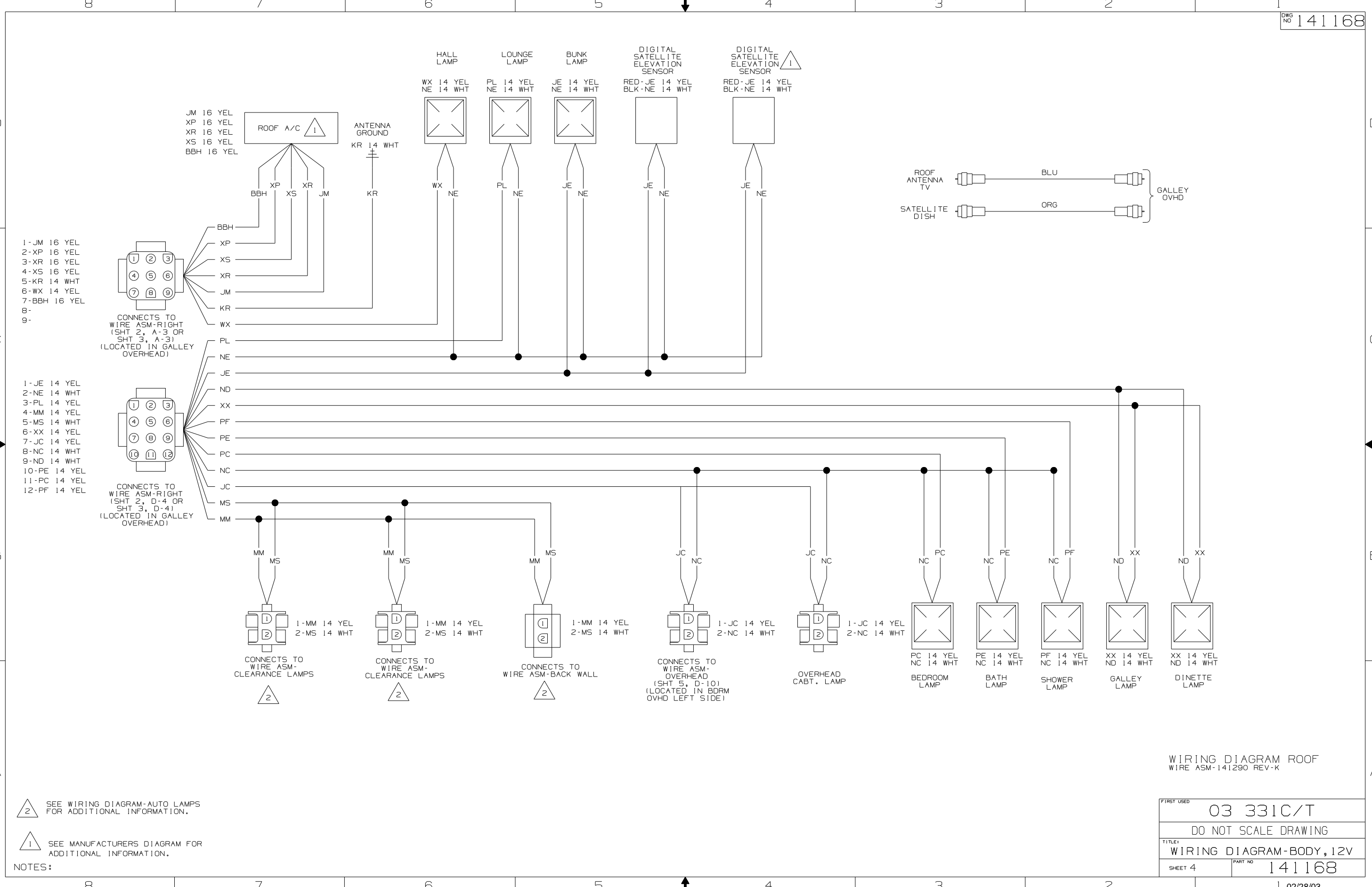
REFRIGERATOR



- NOTES:
- 4. SEE MANUFACTURERS DIAGRAM FOR ADDITIONAL INFORMATION.
  - 3. GROUNDS ARE SHOWN AS A SINGLE LINE FOR EASE IN TRACING. EACH GROUND CIRCUIT IS SEPERATE IN THE HARNESS.
  - 2. NOT A SPLICE POINT. INDICATES ENTRY INTO WIRING HARNESS.
  - 1. SPLICES ARE THEORETICAL AND MAY DIFFER IN THE HARNESS.

- 7. USED WITH QUEEN BED.
- 6. SEE WIRING DIAGRAM-HEATER, RELAY FOR ADDITIONAL INFORMATION. (SHT 6, C-6)
- 5. SEE WIRING DIAGRAM-AUTO FOR ADDITIONAL INFORMATION.





- 1-JM 16 YEL
- 2-XP 16 YEL
- 3-XR 16 YEL
- 4-XS 16 YEL
- 5-KR 14 WHT
- 6-WX 14 YEL
- 7-BBH 16 YEL
- 8-
- 9-

- 1-JE 14 YEL
- 2-NE 14 WHT
- 3-PL 14 YEL
- 4-MM 14 YEL
- 5-MS 14 WHT
- 6-XX 14 YEL
- 7-JC 14 YEL
- 8-NC 14 WHT
- 9-ND 14 WHT
- 10-PE 14 YEL
- 11-PC 14 YEL
- 12-PF 14 YEL

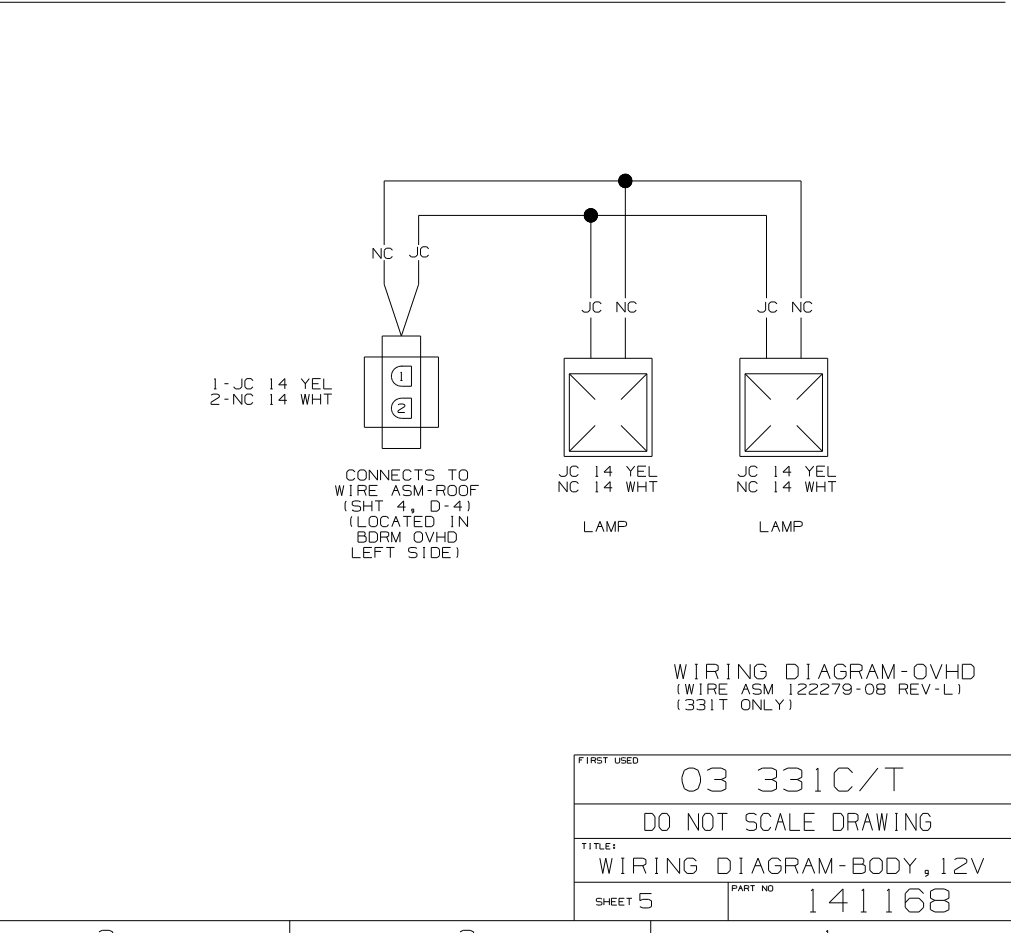
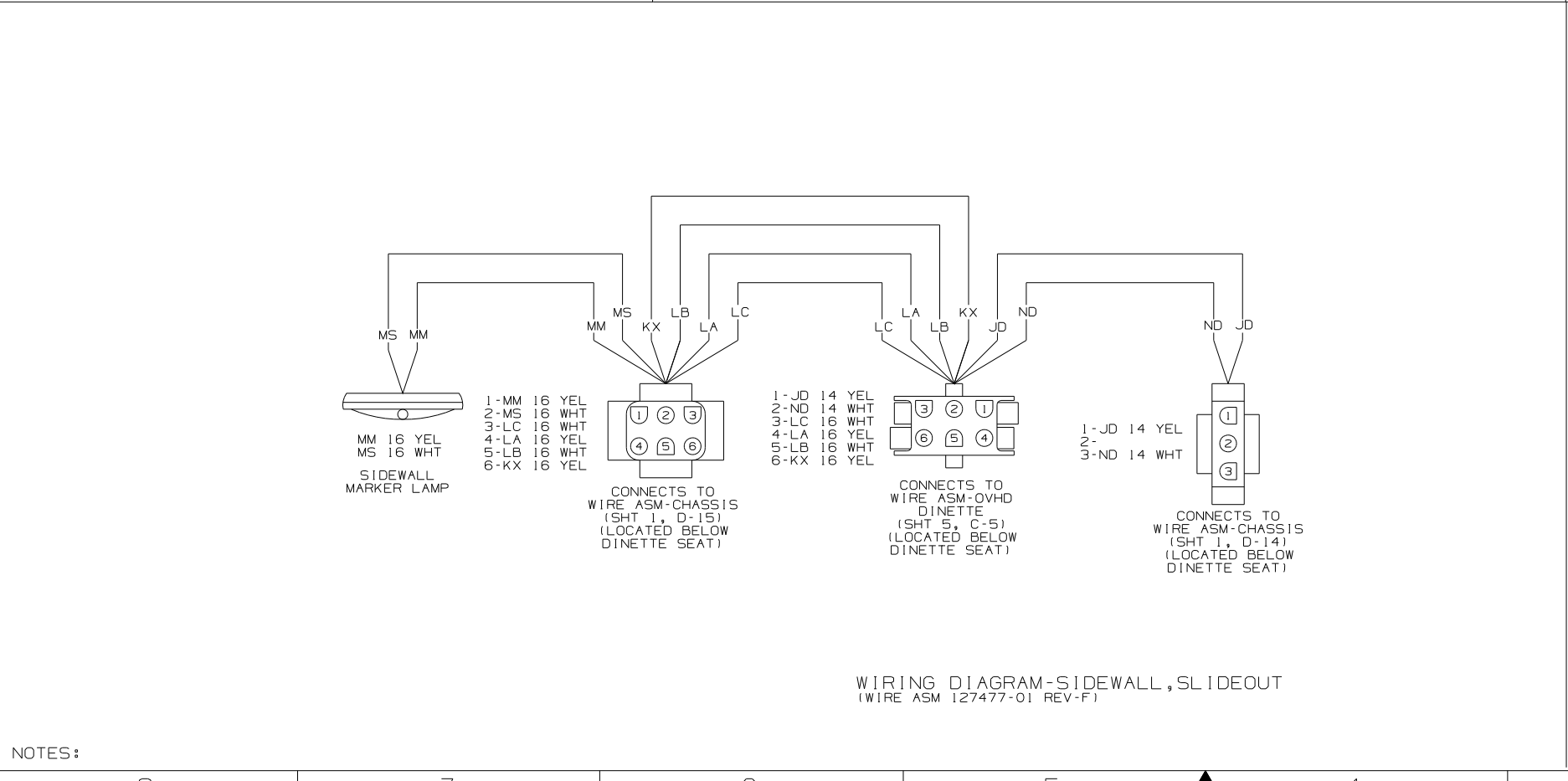
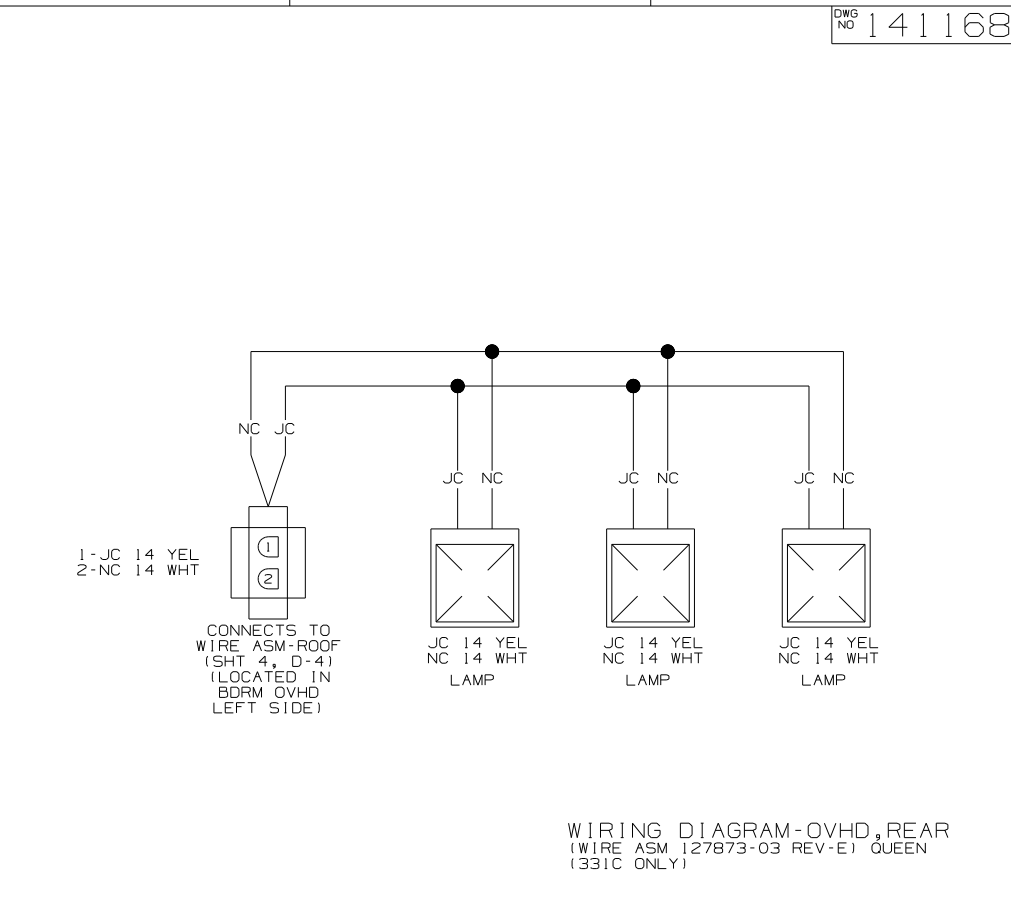
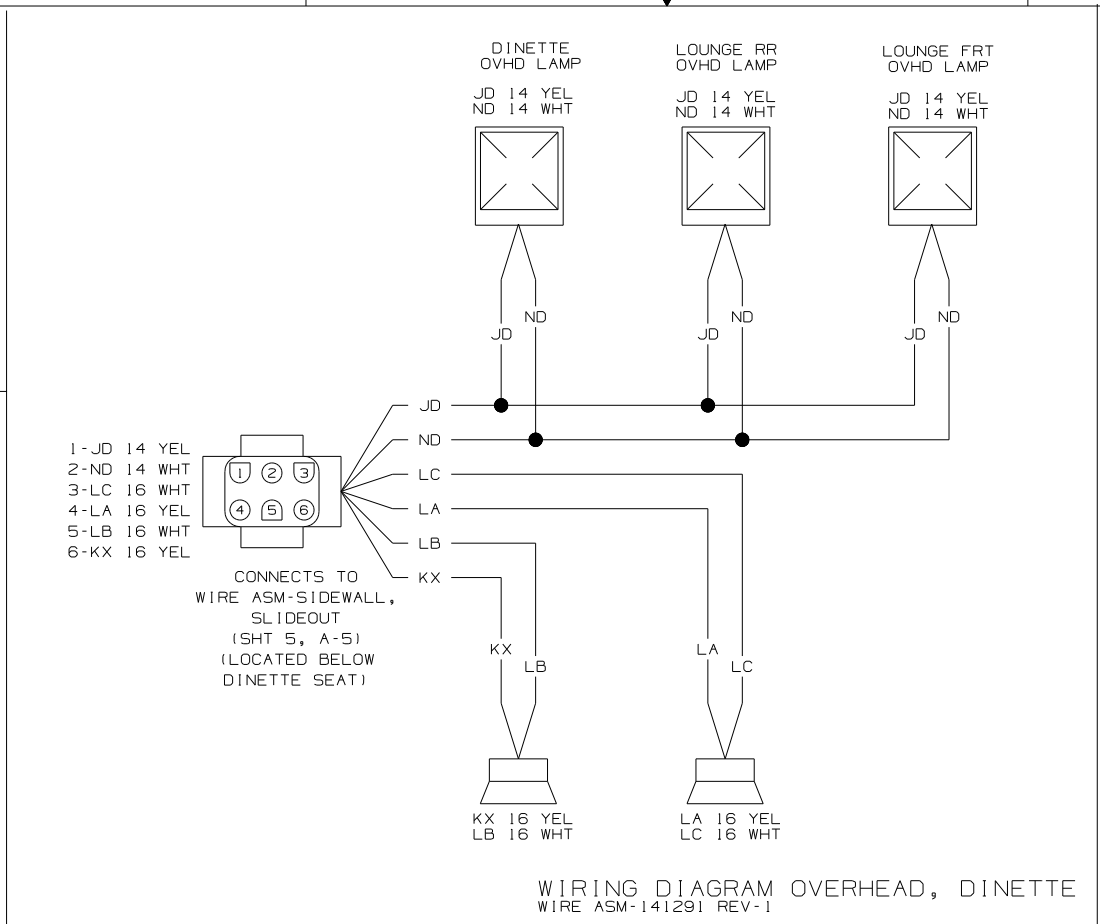
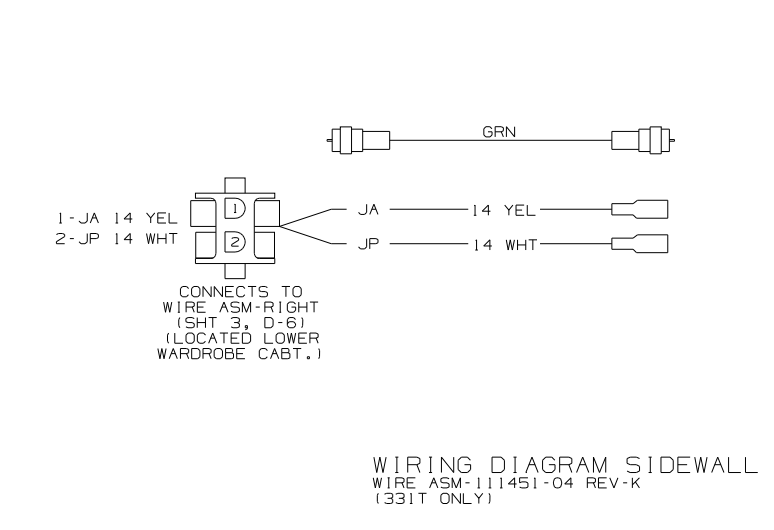
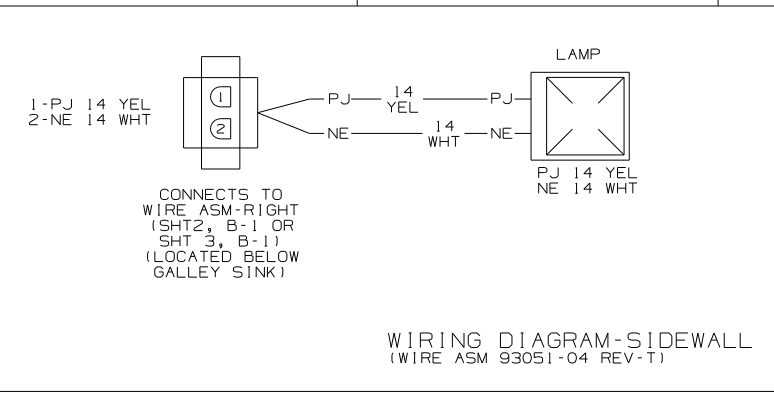
2 SEE WIRING DIAGRAM-AUTO LAMPS FOR ADDITIONAL INFORMATION.

1 SEE MANUFACTURERS DIAGRAM FOR ADDITIONAL INFORMATION.

NOTES:

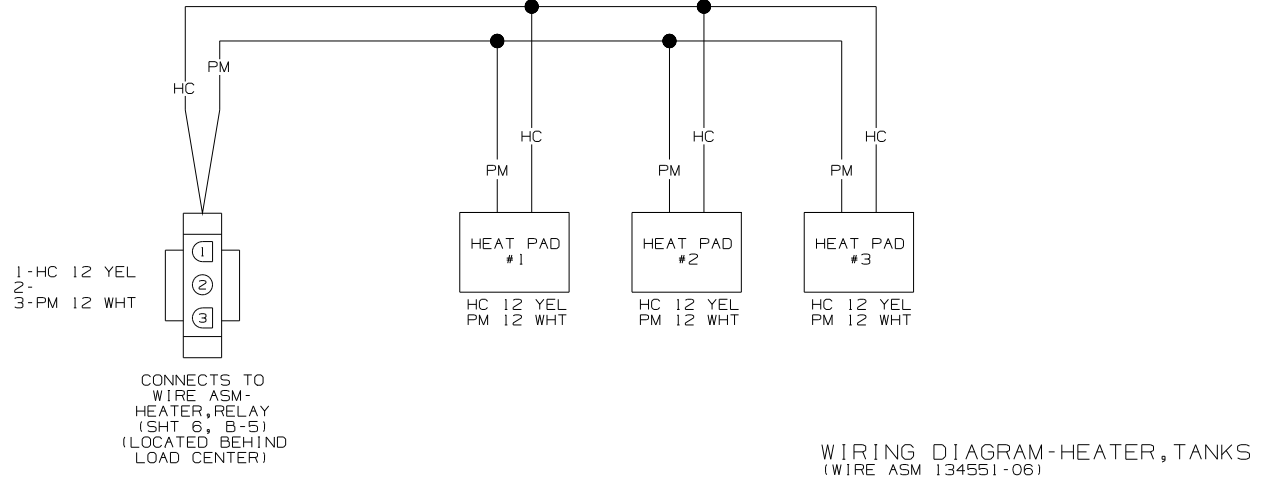
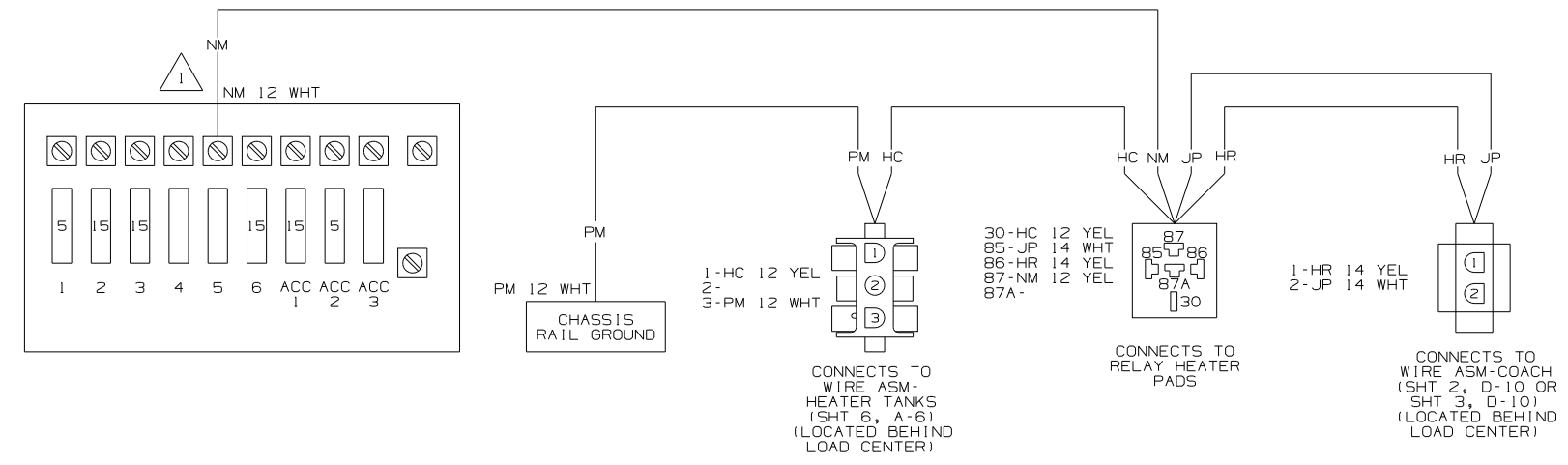
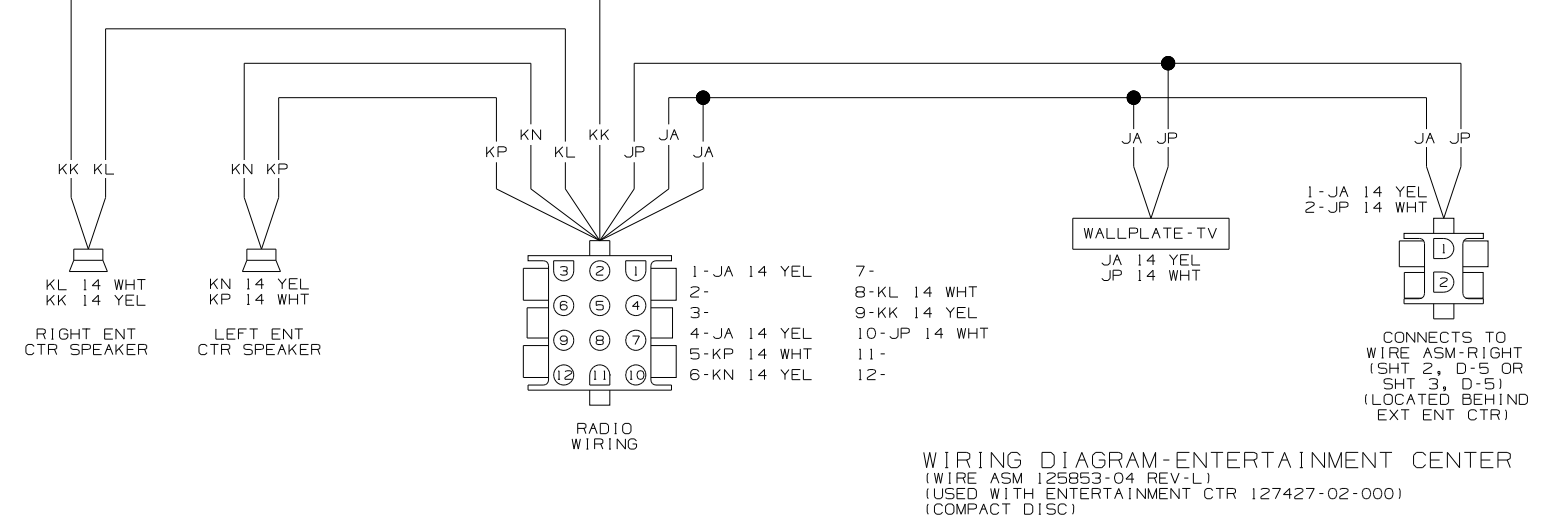
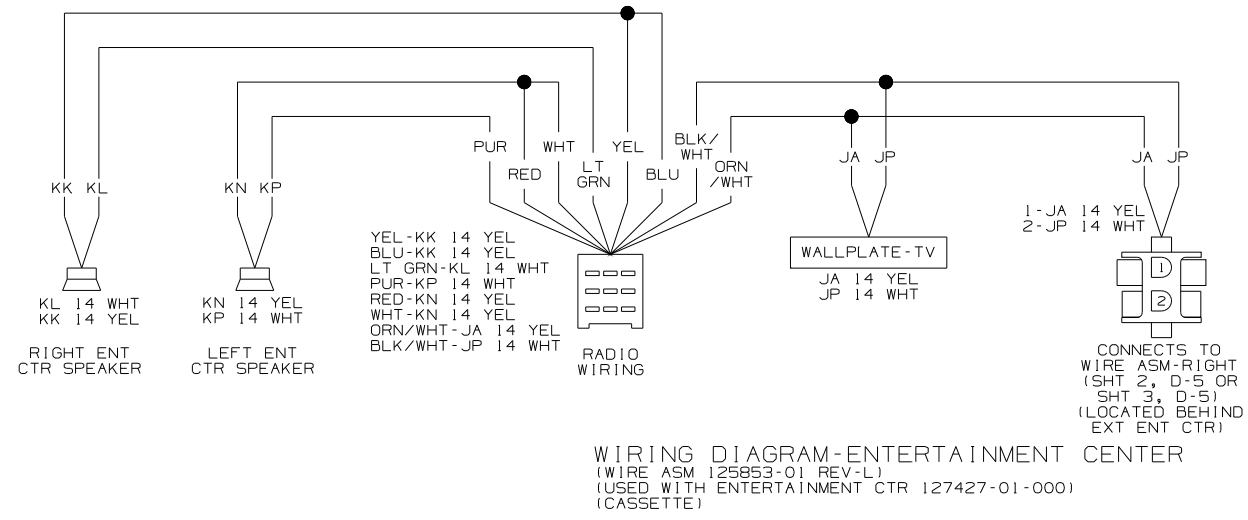
WIRING DIAGRAM ROOF  
WIRE ASM-141290 REV-K

FIRST USED	03 331C/T
TITLE:	DO NOT SCALE DRAWING
	WIRING DIAGRAM-BODY, 12V
SHEET 4	PART NO 141168



NOTES:

FIRST USED	03 331C/T
TITLE	DO NOT SCALE DRAWING
TITLE	WIRING DIAGRAM-BODY, 12V
SHEET 5	PART NO 141168



NOTES:  
 1 SEE WIRING DIAGRAM-RIGHT FOR ADDITIONAL INFORMATION. (SHT 2, D-8 OR SHT 3, D-8)

FIRST USED	03 331C/T
TITLE	DO NOT SCALE DRAWING
	WIRING DIAGRAM-BODY, 12V
SHEET 6	PART NO 141168