



DANGER

Danger of electrical shock, burns or death. Always remove all power sources before attempting any repair, service or diagnostic work. Power can be present from shore power, generator, inverter or battery. All power sources must be disabled and secured before performing any service.

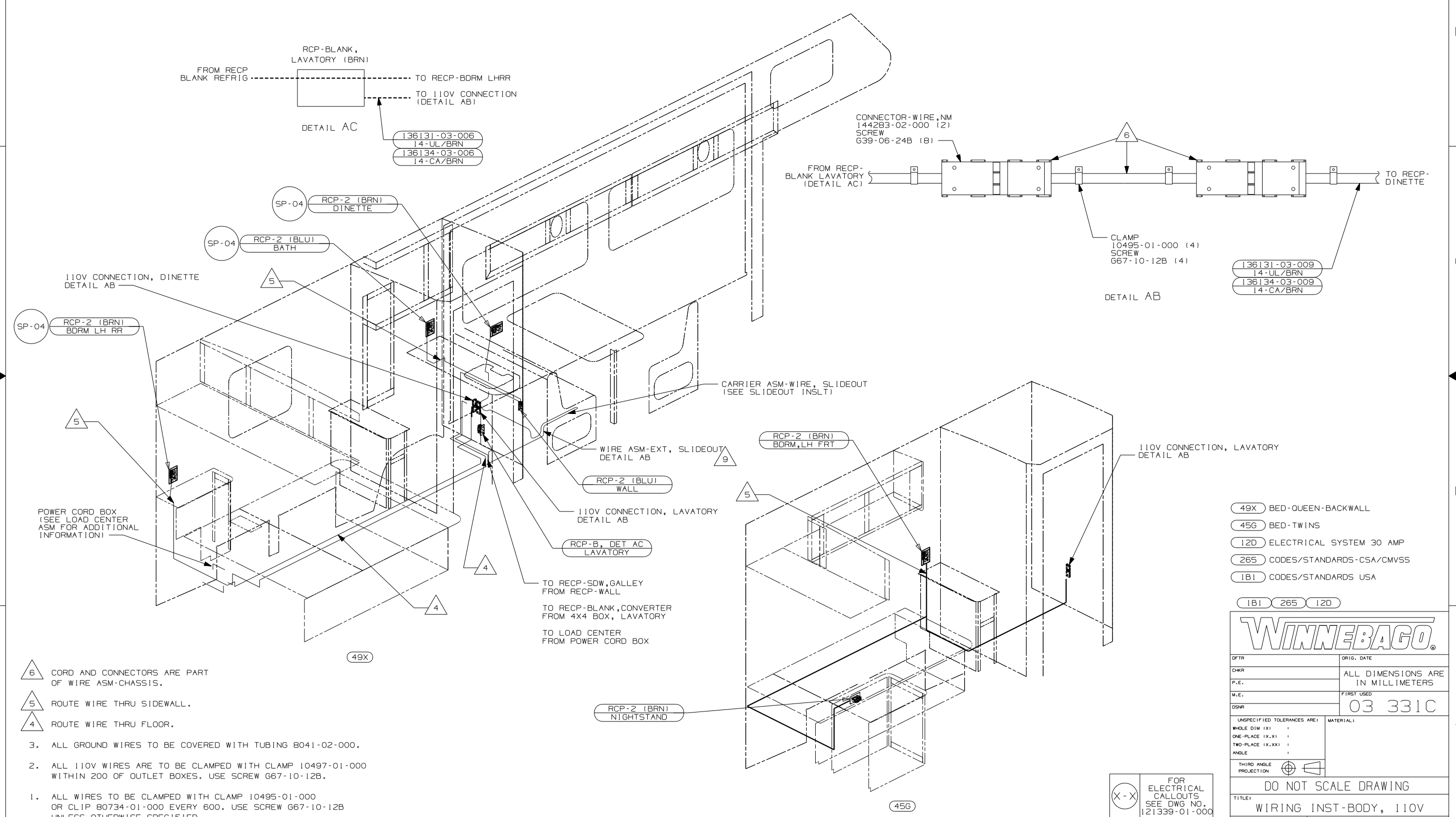


CAUTION

If you lack the skills, tools or equipment to perform diagnostic or repair work leave such work to an authorized Winnebago Industries dealer or other qualified shop.

DRAWING NO.	FEATURE
141165-01	-----
141165-11	(1B1) (12D)
141165-15	(265) (12D)

RELEASE	REV DATE	DWG NO
A		141165
REV ZONE	REVISION RECORD	DATE DFR-ORIG



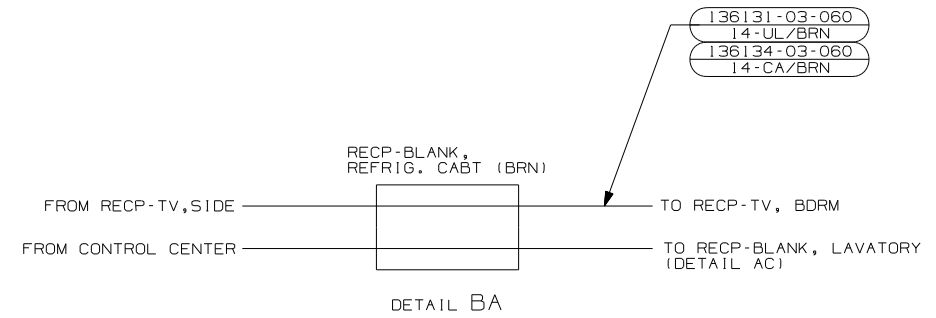
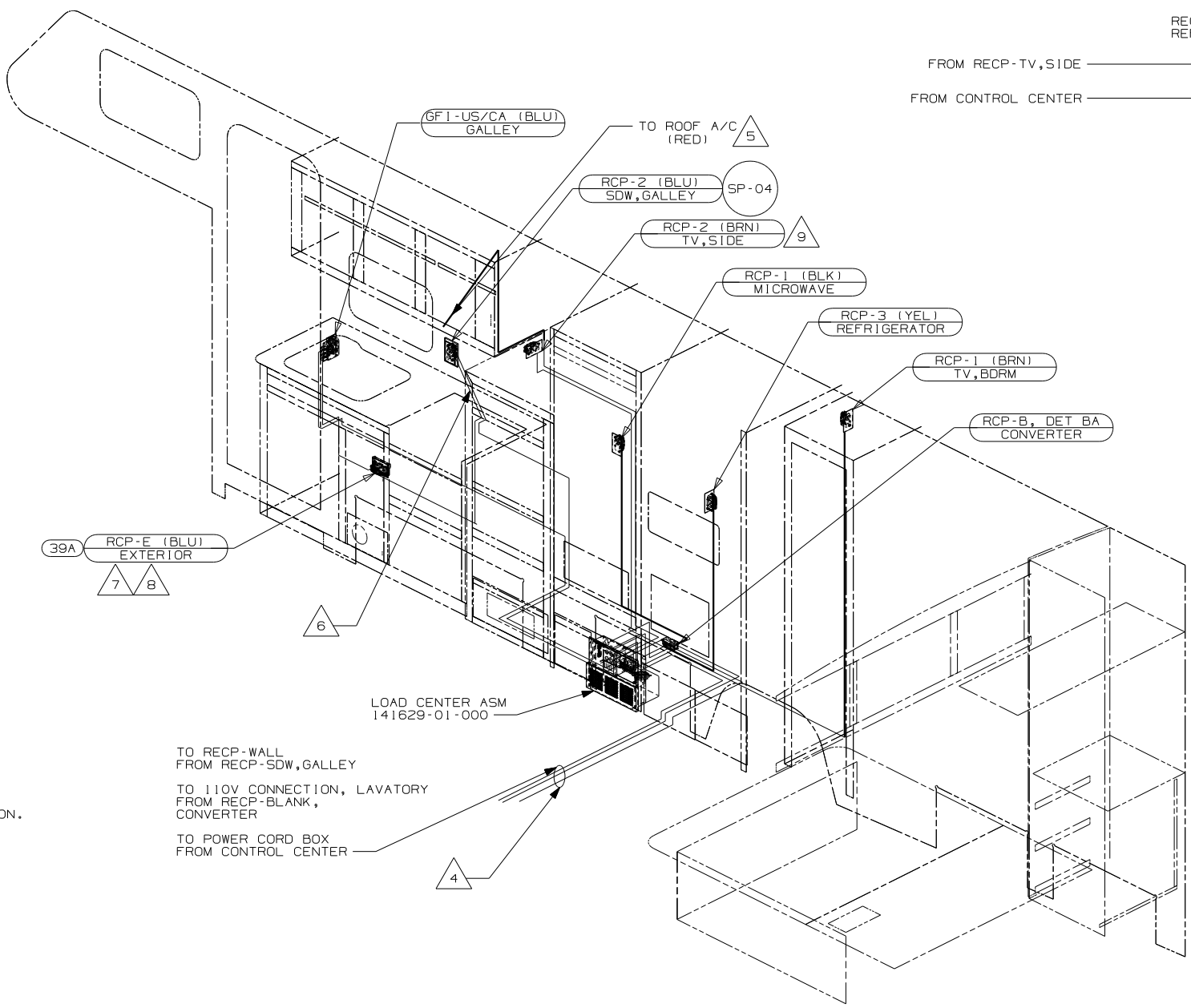
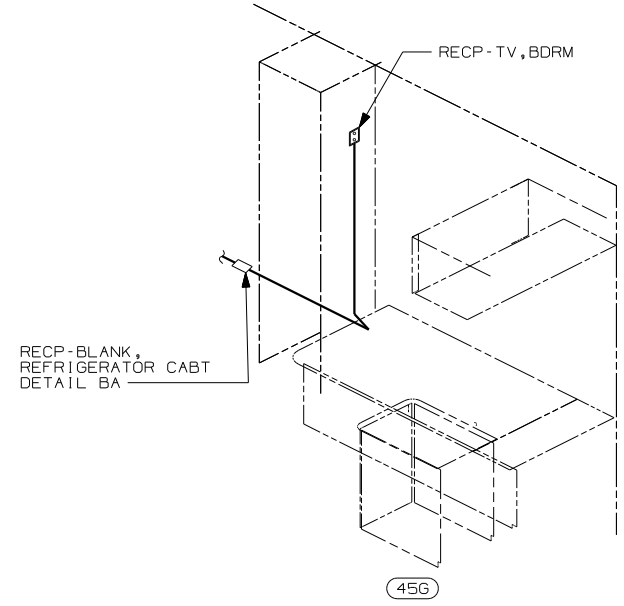
- NOTES:
- ALL WIRES TO BE CLAMPED WITH CLAMP 10495-01-000 OR CLIP 80734-01-000 EVERY 600. USE SCREW G67-10-12B UNLESS OTHERWISE SPECIFIED.
 - ALL 110V WIRES ARE TO BE CLAMPED WITH CLAMP 10497-01-000 WITHIN 200 OF OUTLET BOXES. USE SCREW G67-10-12B.
 - ALL GROUND WIRES TO BE COVERED WITH TUBING 8041-02-000.
- △ 6 CORD AND CONNECTORS ARE PART OF WIRE ASM-CHASSIS.
 △ 5 ROUTE WIRE THRU SIDEWALL.
 △ 4 ROUTE WIRE THRU FLOOR.

- (49X) BED-QUEEN-BACKWALL
- (45G) BED-TWINS
- (12D) ELECTRICAL SYSTEM 30 AMP
- (265) CODES/STANDARDS-CSA/CMVSS
- (1B1) CODES/STANDARDS USA

WINNEBAGO.

DFTR	ORIG. DATE
CHKR	ALL DIMENSIONS ARE IN MILLIMETERS
P.E.	
M.E.	FIRST USED
DSNR	03 331C
UNSPECIFIED TOLERANCES ARE:	MATERIAL:
WHOLE DIM (X)	
ONE-PLACE (X.X)	
TWO-PLACE (X.XX)	
ANGLE	
THIRD ANGLE PROJECTION	
DO NOT SCALE DRAWING	
TITLE: WIRING INST-BODY, 110V	
SHEET 1 OF 2	PART NO 141165
REF:	1 02/28/03

(X-X) FOR ELECTRICAL CALLOUTS SEE DWG NO. 121339-01-000



9 SEE WIRING INSTL-TV/VCR, SIDE FOR ADDITIONAL INFORMATION.

8 NOT USED WITH 76C.

7 SEE ENT CTR INSTL-EXT FOR ADDITIONAL INFORMATION.

6 ROUTE WIRE THRU SIDEWALL

5 ROUTE WIRE THRU ROOF.

4 ROUTE WIRE THRU FLOOR.

3. ALL GROUND WIRE TO BE COVERED WITH TUBING 8041-02-000.

2. ALL 110V WIRE TO BE CLAMPED WITH CLAMP 10497-05-000 WITHIN 200 OF OUTLET BOXES, USE SCREW G67-10-12B.

1. ALL WIRES TO BE SECURED WITH CLAMP 10495-01-000 OR CLIP 80734-01-000 EVERY 600MM. USE SCREW G67-10-12B UNLESS OTHERWISE SPECIFIED.

NOTES:

NOTES:

FOR ELECTRICAL TORQUE SPECIFICATIONS SEE DWG NO. 128783-01-000

FOR ELECTRICAL CALLOUTS SEE DWG NO. 121339-01-000

- 76C ENTERTAINMENT CTR/EXT CASSETTE
- 49X BED-QUEEN - BACKWALL
- 45G BED-TWINS
- 39A EXT RECEPTACLE DPLX 120VAC
- 12D ELECTRICAL SYSTEM 30 AMP
- 265 CODES/STANDARDS-CSA/CMVSS
- 1B1 CODES/STANDARDS USA
- 1B1 265 12D

FIRST USED	03 331C
TITLE	DO NOT SCALE DRAWING
TITLE	WIRING INST-BODY, 110V
SHEET 2	PART NO 141165