



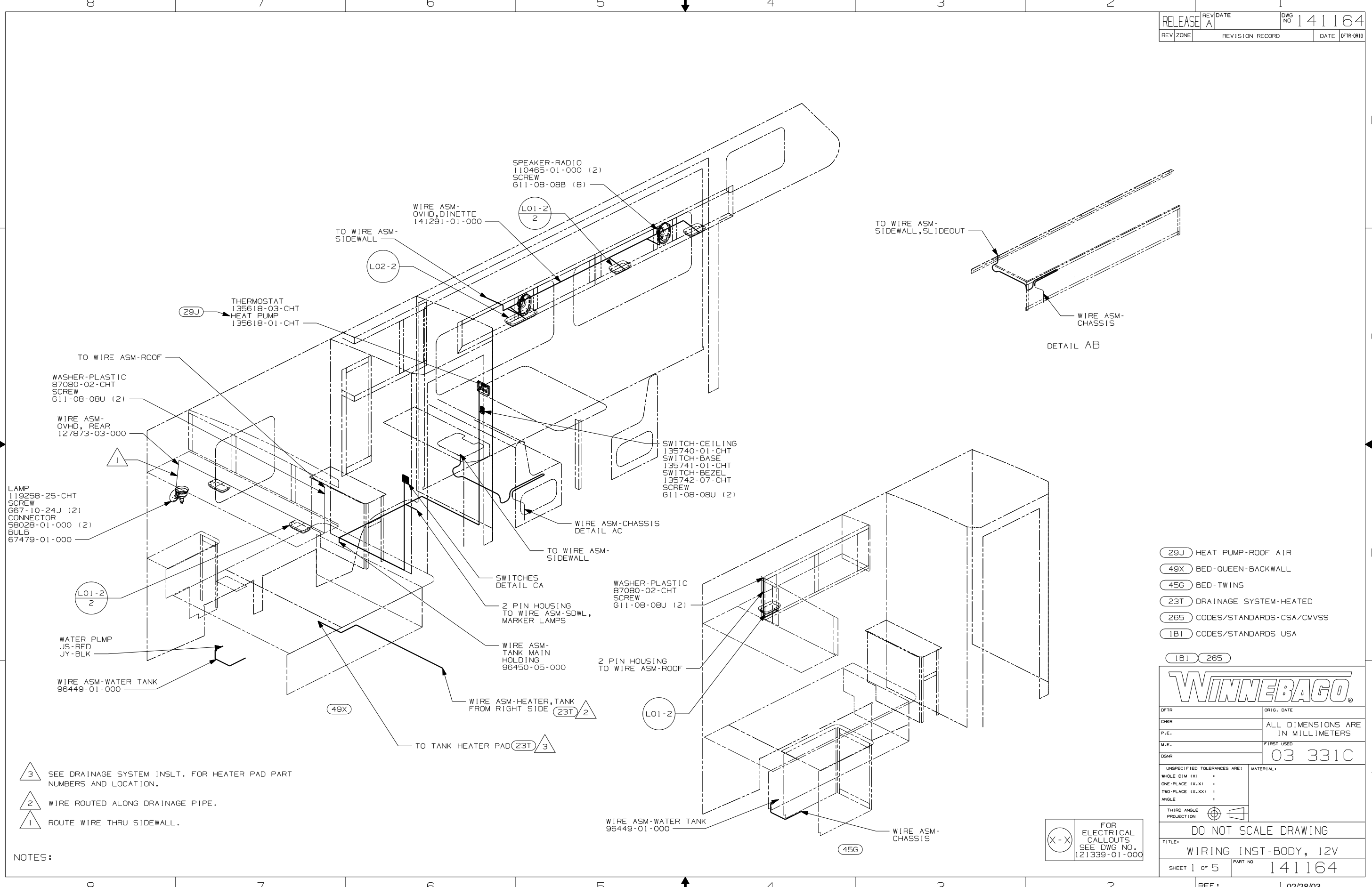
DANGER

Danger of electrical shock, burns or death. Always remove all power sources before attempting any repair, service or diagnostic work. Power can be present from shore power, generator, inverter or battery. All power sources must be disabled and secured before performing any service.



CAUTION

If you lack the skills, tools or equipment to perform diagnostic or repair work leave such work to an authorized Winnebago Industries dealer or other qualified shop.



LAMP
119258-25-CHT
SCREW
667-10-24J (2)
CONNECTOR
58028-01-000 (2)
BULB
67479-01-000

29J THERMOSTAT
135618-03-CHT
HEAT PUMP
135618-01-CHT

SPEAKER-RADIO
110465-01-000 (2)
SCREW
611-08-08B (8)

WIRE ASM-
OVHD, DINETTE
141291-01-000

TO WIRE ASM-
SIDEWALL

TO WIRE ASM-
SIDEWALL, SLIDEOUT

WIRE ASM-
CHASSIS

DETAIL AB

WASHER-PLASTIC
87080-02-CHT
SCREW
611-08-08U (2)

WIRE ASM-
OVHD, REAR
127873-03-000

SWITCH-CEILING
135740-01-CHT
SWITCH-BASE
135741-01-CHT
SWITCH-BEZEL
135742-07-CHT
SCREW
611-08-08U (2)

WIRE ASM-CHASSIS
DETAIL AC

TO WIRE ASM-
SIDEWALL

SWITCHES
DETAIL CA

2 PIN HOUSING
TO WIRE ASM-SDWL,
MARKER LAMPS

WASHER-PLASTIC
87080-02-CHT
SCREW
611-08-08U (2)

2 PIN HOUSING
TO WIRE ASM-ROOF

WIRE ASM-
TANK MAIN
HOLDING
96450-05-000

WIRE ASM-HEATER, TANK
FROM RIGHT SIDE

49X

TO TANK HEATER PAD

WIRE ASM-WATER TANK
96449-01-000

WIRE ASM-
CHASSIS

- 29J HEAT PUMP-ROOF AIR
- 49X BED-QUEEN-BACKWALL
- 45G BED-TWINS
- 23T DRAINAGE SYSTEM-HEATED
- 265 CODES/STANDARDS-CSA/CMVSS
- 1B1 CODES/STANDARDS USA

1B1 265

WINNEBAGO.

DFTR	ORIG. DATE
CHKR	ALL DIMENSIONS ARE IN MILLIMETERS
P.E.	
M.E.	FIRST USED
DSNR	03 331C
UNSPECIFIED TOLERANCES ARE:	MATERIAL:
HOLE DIM (X)	
ONE-PLACE (X.X)	
TWO-PLACE (X.XX)	
ANGLE	
THIRD ANGLE PROJECTION	

DO NOT SCALE DRAWING

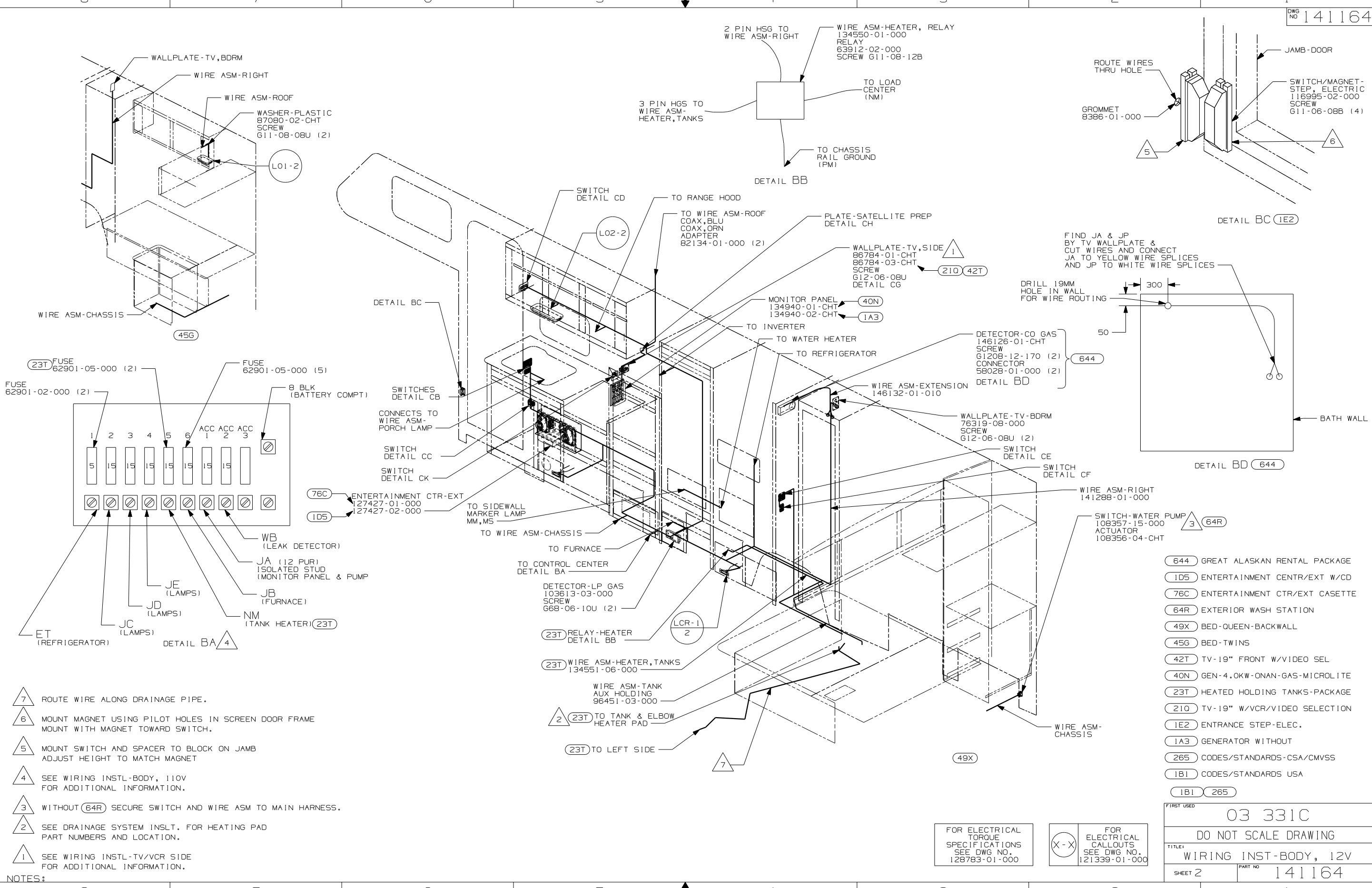
TITLE:
WIRING INST-BODY, 12V

SHEET 1 OF 5 PART NO
141164

REF: 1 02/28/03

- NOTES:
- 3 SEE DRAINAGE SYSTEM INSLT. FOR HEATER PAD PART NUMBERS AND LOCATION.
 - 2 WIRE ROUTED ALONG DRAINAGE PIPE.
 - 1 ROUTE WIRE THRU SIDEWALL.

(X-X) FOR
ELECTRICAL
CALLOUTS
SEE DWG NO.
121339-01-000

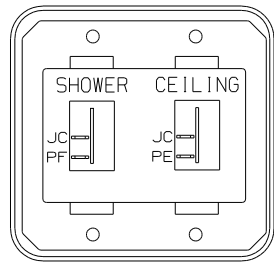


- NOTES:
- 7 ROUTE WIRE ALONG DRAINAGE PIPE.
 - 6 MOUNT MAGNET USING PILOT HOLES IN SCREEN DOOR FRAME MOUNT WITH MAGNET TOWARD SWITCH.
 - 5 MOUNT SWITCH AND SPACER TO BLOCK ON JAMB ADJUST HEIGHT TO MATCH MAGNET
 - 4 SEE WIRING INSTL-BODY, 110V FOR ADDITIONAL INFORMATION.
 - 3 WITHOUT 64R SECURE SWITCH AND WIRE ASM TO MAIN HARNESS.
 - 2 SEE DRAINAGE SYSTEM INSLT. FOR HEATING PAD PART NUMBERS AND LOCATION.
 - 1 SEE WIRING INSTL-TV/VCR SIDE FOR ADDITIONAL INFORMATION.

FOR ELECTRICAL TORQUE SPECIFICATIONS SEE DWG NO. 128783-01-000

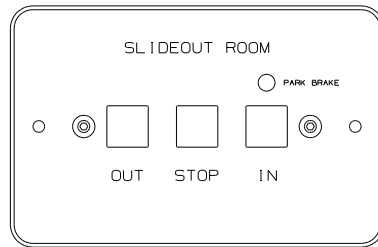
FOR ELECTRICAL CALLOUTS SEE DWG NO. 121339-01-000

FIRST USED	
03 331C	
DO NOT SCALE DRAWING	
TITLE: WIRING INST-BODY, 12V	
SHEET 2	PART NO 141164



SWITCH-ROCKER 135740-01-CHT (2)
SWITCH-BASE 135741-02-CHT
SWITCH-BEZEL 135742-15-CHT
SCREW 611-08-08U (4)

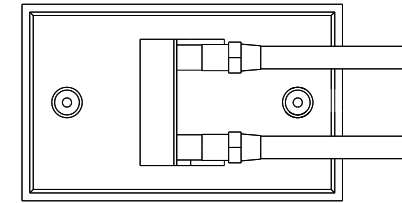
DETAIL CA



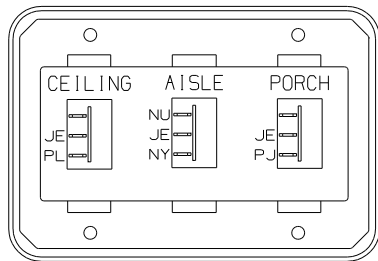
SWITCH ASM-KWIKEE 138173-04-000

WARNING UNDERSTAND OPERATOR'S MANUAL BEFORE USING
SEELECTRICAL AND WIRING INSTRUCTIONS TO AVOID
ELECTRIC SHOCK AND/OR PROPERTY DAMAGE

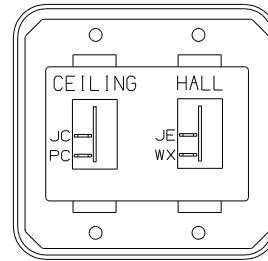
DETAIL CD



DETAIL CG (21Q) (42T)

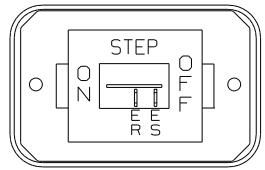


SWITCH-ROCKER 135740-01-CHT (3)
SWITCH-BASE 135741-03-CHT
SWITCH-BEZEL 135742-26-CHT
SCREW 611-08-08U (4)



SWITCH-ROCKER 135740-01-CHT (2)
SWITCH-BASE 135741-02-CHT
SWITCH-BEZEL 135742-16-CHT
SCREW 611-08-08U (4)

DETAIL CE



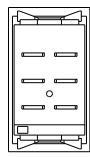
SWITCH-ROCKER 135740-01-CHT
SWITCH-BASE 135741-01-CHT
SWITCH-BEZEL 135742-11-CHT
SCREW 611-08-08U (2)

DETAIL CB



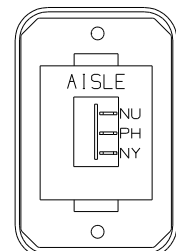
SWITCH-BATTERY, DISC 108357-06-000
ACTUATOR-SWITCH 108356-11-CHT

(FRONT SIDE)



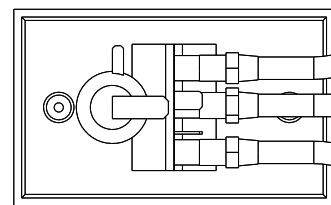
DETAIL CC

PLATE-SWITCH 98351-07-CHT
SCREW 611-06-10U (6)



SWITCH-ROCKER 135740-01-CHT
SWITCH-BASE 135741-01-CHT
SWITCH-BEZEL 135742-06-CHT
SCREW 611-08-08U (2)

DETAIL CF

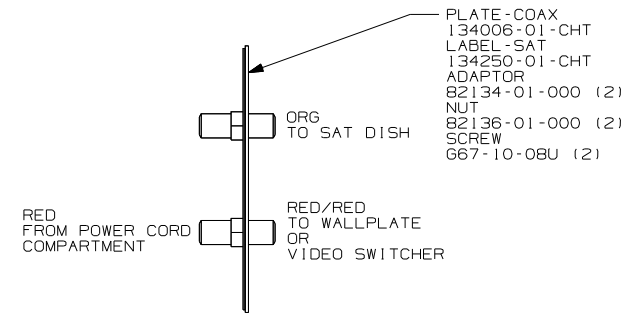


DETAIL CG

COAX-GRN (TO BDRM WALLPLATE) OR SPLITTER
DETAIL CJ

COAX-RED/RED FROM SATELLITE PREP PLATE

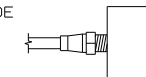
COAX-BLU (FROM ANTENNA)



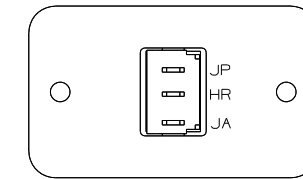
DETAIL CH

PLATE-COAX 134006-01-CHT
LABEL-SAT 134250-01-CHT
ADAPTOR 82134-01-000 (2)
NUT 82136-01-000 (2)
SCREW 667-10-08U (2)

COAX-GRN FROM WALLPLATE-TV, SIDE
DETAIL CG
OR VIDEO SWITCHER (WITH (21Q) OR (42T))



DETAIL CJ (76C) (105)



DETAIL CK (23T)

SWITCH-DUMMY (2) 89303-01-CHT
SWITCH-HEATER (23T) 89308-05-CHT
PLATE 98351-01-CHT
LABEL-SWITCH (23T) 134563-01-CHT
SCREW 611-06-16J (2)

(23T) HEATED HOLDING TANKS-PACKAGE

(265) CODES/STANDARDS-CSA/CMVSS

(1B1) CODES/STANDARDS USA

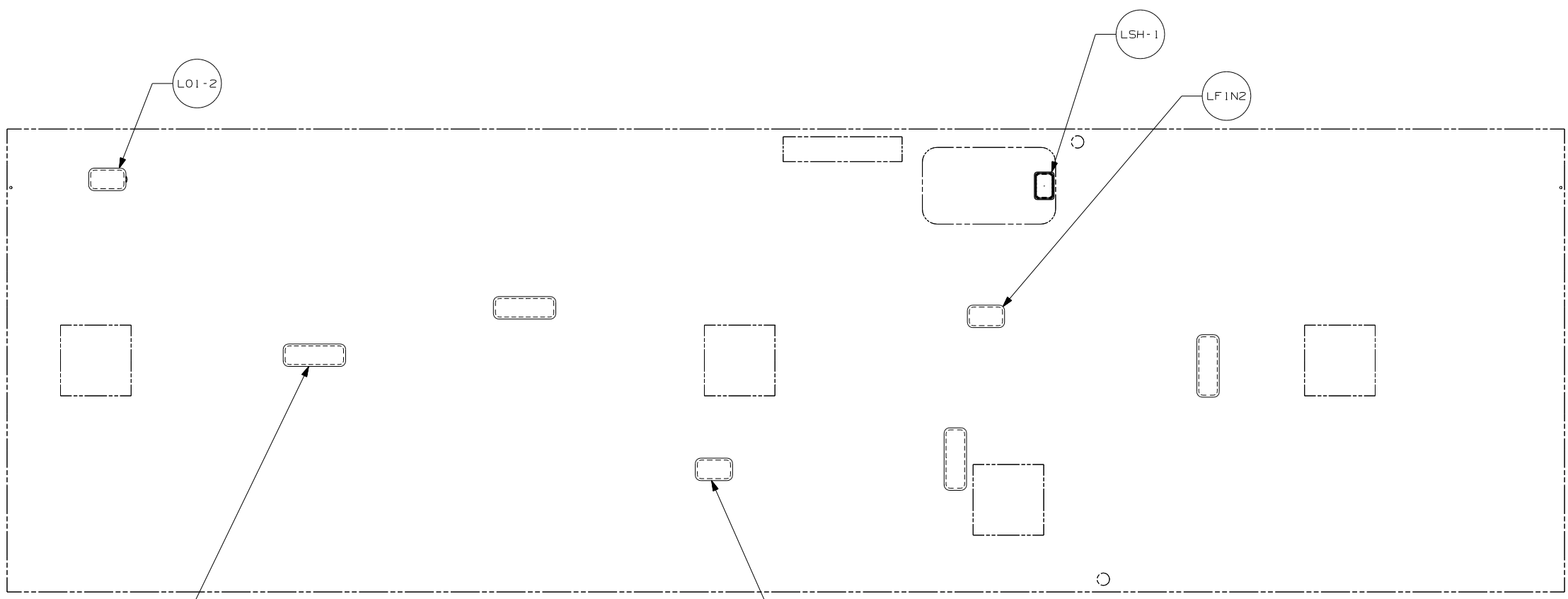
(1B1) (265)

FIRST USED	03 331C
TITLE	DO NOT SCALE DRAWING
TITLE	WIRING INST-BODY, 12V
SHEET 3	PART NO 141164

FOR ELECTRICAL TORQUE SPECIFICATIONS SEE DWG NO. 128783-01-000

(X-X) FOR ELECTRICAL CALLOUTS SEE DWG NO. 121339-01-000

NOTES:
2 NOT USED WITH (23T).
1 SEE WIRING INSTL-TV/VCR SIDE FOR ADDITIONAL INFORMATION.



NOTES:

265 CODES/STANDARDS-CSA/CMVSS

1B1 CODES/STANDARDS USA

1B1 265

FIRST USED 03 331C

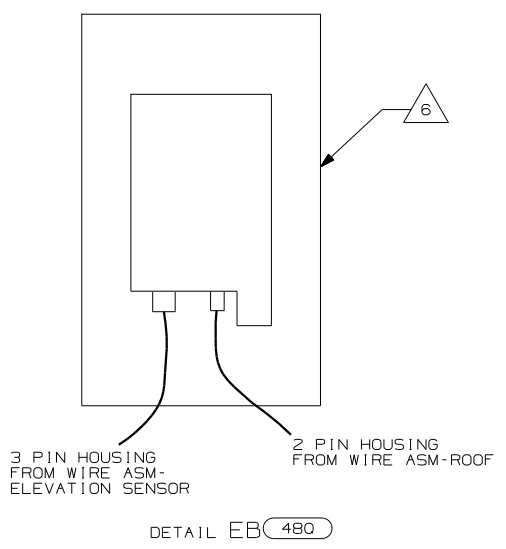
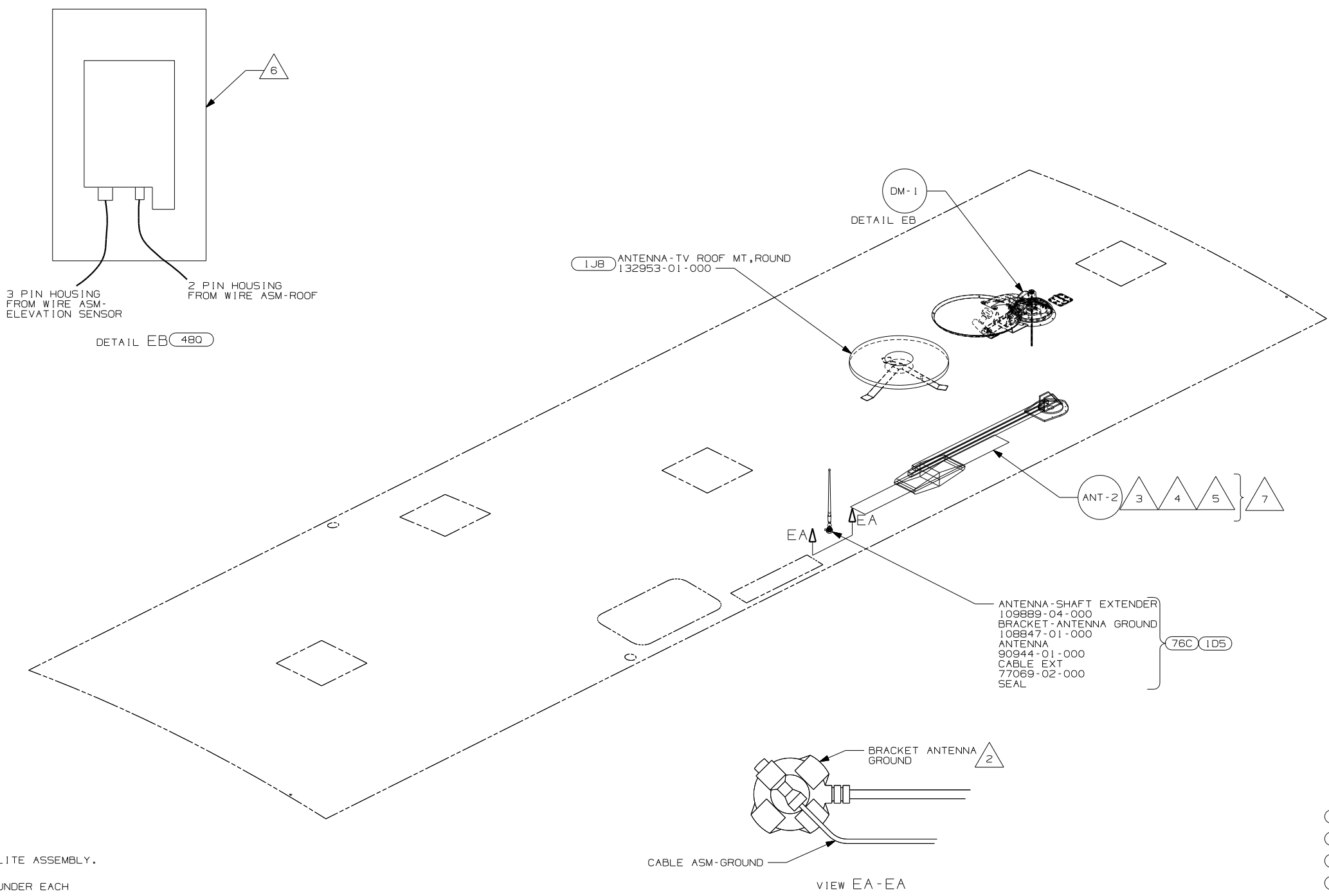
DO NOT SCALE DRAWING

TITLE: WIRING INST-BODY, 12V

SHEET 4 PART NO 141164

FOR ELECTRICAL TORQUE SPECIFICATIONS SEE DWG NO. 128783-01-000

FOR ELECTRICAL CALLOUTS SEE DWG NO. 121339-01-000



- 7 NOT USED WITH 1JB.
- 6 SENSOR SUPPLIED WITH SATELLITE ASSEMBLY.
- 5 ADD RUBBER BUMPER TO ROOF UNDER EACH END OF ANTENNA IN DOWN POSITION.
- 4 LOCATE CLAMP TO RETAIN CABLE BUT NOT TO RESTRICT ANTENNA TRAVEL.
- 3 SEE DRAWING 76319-01-000 FOR INSTALLATION OF TV ANTENNA.
- 2 WRAP BRACKET LEGS AROUND ANTENNA BASE.

1. CONNECTOR-PLUG, TRAILER 113589-01-000 TO BE SUPPLIED LOOSE IN COACH WITH TRAILER TOW PACKAGE.

NOTES:

- 1JB TV ANTENNA-OMNIDIRECTIONAL
- 1D5 ENTERTAINMENT CTR/EXT W/CD
- 76C ENTERTAINMENT CTR/EXT CASSETTE
- 480 SATELLITE DISH & ELEV.SENSOR
- 265 CODES/STANDARDS-CSA/CMVSS
- 1B1 CODES/STANDARDS USA

FIRST USED	03 331C
DO NOT SCALE DRAWING	
TITLE:	WIRING INST-BODY, 12V
SHEET 5	PART NO 141164

(X-X) FOR ELECTRICAL CALLOUTS SEE DWG NO. 121339-01-000