

- NOTES:
- 7. SECURE VENT TO FLOOR WITH BRACKET 136878-01-CHT CLAMP 62401-02-000, SCREW G67-10-12B.
 - 6. VENT PIPE MUST PROJECT 51 MIN AND 64 MAX ABOVE ROOF FOR PROPER FIT AND FUNCTION.
 - 5. SEAL AROUND SHOWER WITH SILICONE.
 - 4. ALL EXTERIOR OPENINGS AROUND PIPE TO BE SEALED WITH 110744-01-000.
 - 3. ALL PIPE AND FITTINGS TO BE ASSEMBLED WITH SOLVENT 4020-01-000.
 - 2. SLOPE OF TRAP ARM MUST BE 6 PER 305 mm.
 - 1. SLOPE OF HORIZONTAL PIPING TO BE MIN 6 PER 305 mm.

FOR DRAINAGE CALLOUTS SEE DWG NO 116229-01-000

WINNEBAGO		COPYRIGHT 2003 WINNEBAGO INDUSTRIES, INC.	
DFT	ORIG. DATE	ALL DIMENSIONS ARE IN MILLIMETERS	
CHKR		FIRST USED	
P.E.		03 329B	
M.E.		UNSPECIFIED TOLERANCES ARE:	
DSNR		MATERIAL:	
		WHOLE DIM (X)	: 3
		ONE-PLACE (X.X)	:
		TWO-PLACE (X.XX)	:
		ANGLE	:
		THIRD ANGLE PROJECTION	
DO NOT SCALE DRAWING			
TITLE: DRAINAGE SYSTEM INSTL			
SHEET 1 OF 3	PART NO	142220	

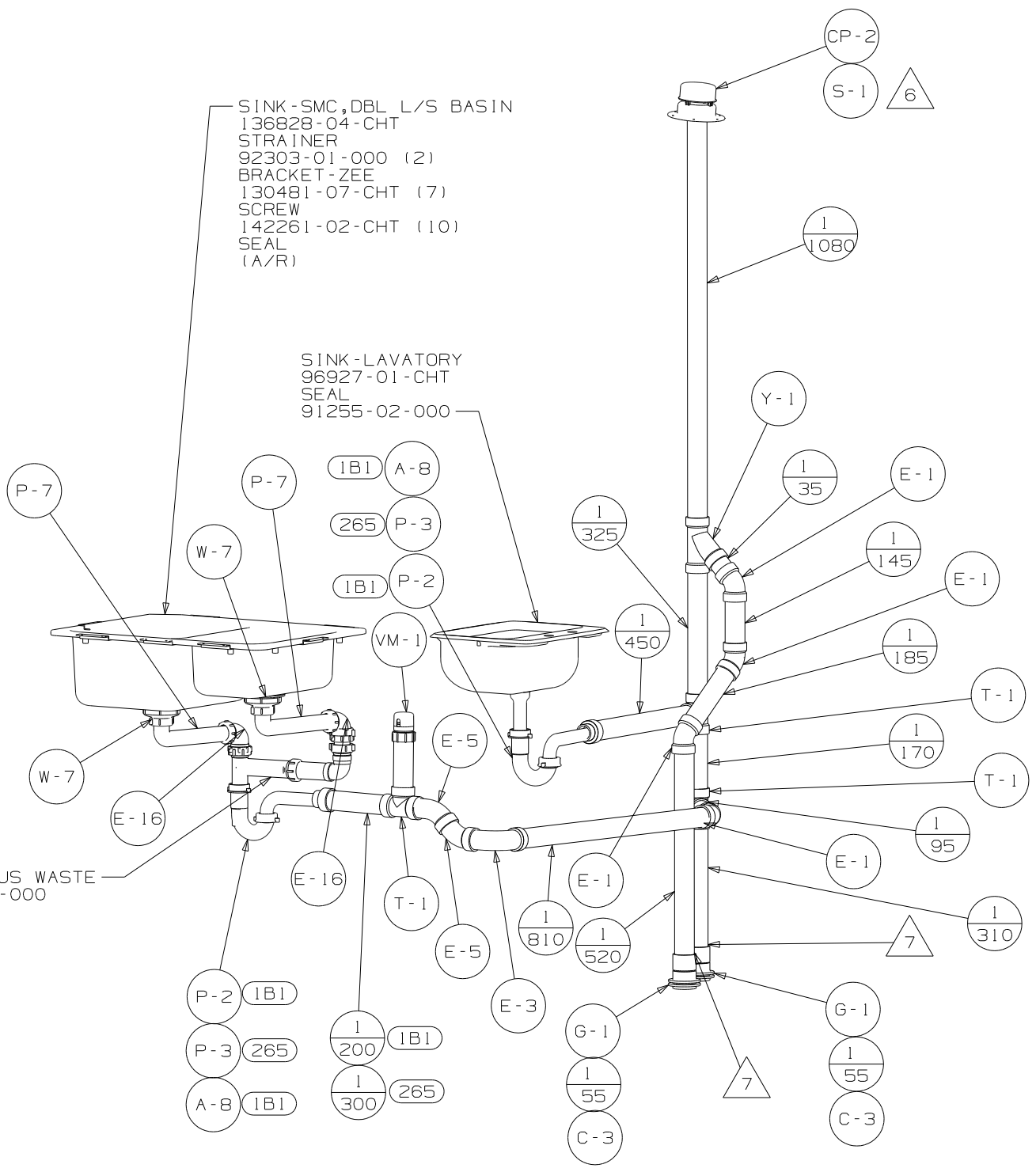
SINK-SMC, DBL L/S BASIN
136828-04-CHT
STRAINER
92303-01-000 (2)
BRACKET-ZEE
130481-07-CHT (7)
SCREW
142261-02-CHT (10)
SEAL
(A/R)

SINK-LAVATORY
96927-01-CHT
SEAL
91255-02-000

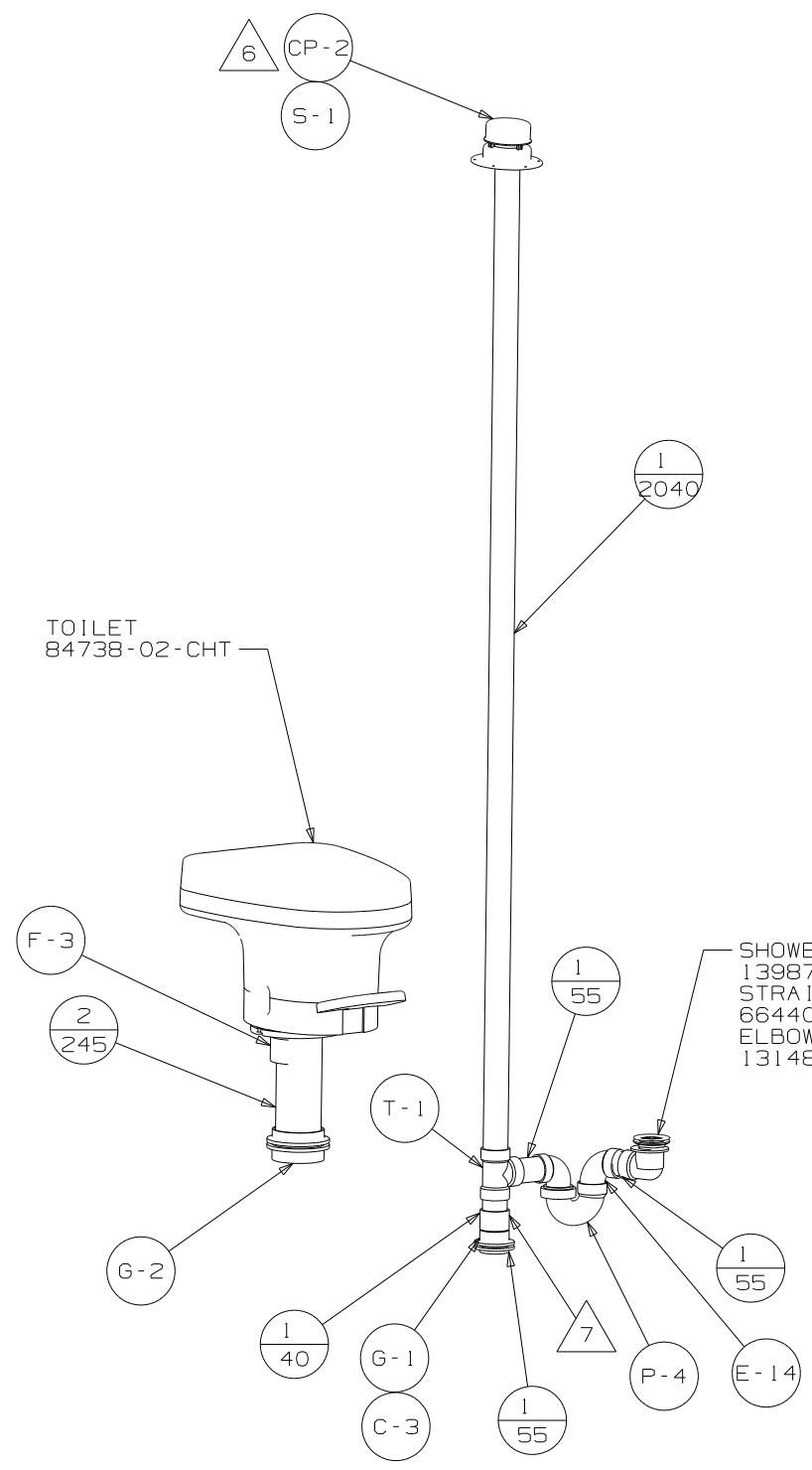
CONTINUOUS WASTE
91980-01-000

TOILET
84738-02-CHT

SHOWER INSTL-ENCLOSURE
139874-01-000
STRAINER
66440-01-000
ELBOW-DRAIN
131486-01-000



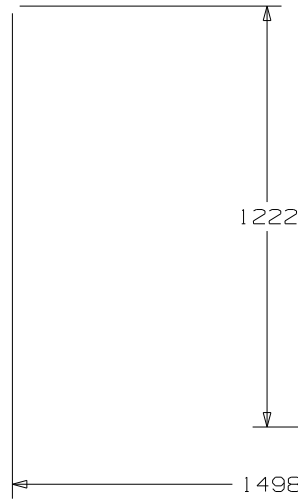
VIEW A



VIEW B

FIRST USED	03 329B
DO NOT SCALE DRAWING	
TITLE	DRAINAGE SYSTEM INSTL
SHEET 2	PART NO 142220

ϕ COACH
ϕ FRONT AXLE



DATUM

CRADLE ASM
139596-01-CHT
BOLT
C18-05-40A (4)
NUT
D13-05-00B (4)

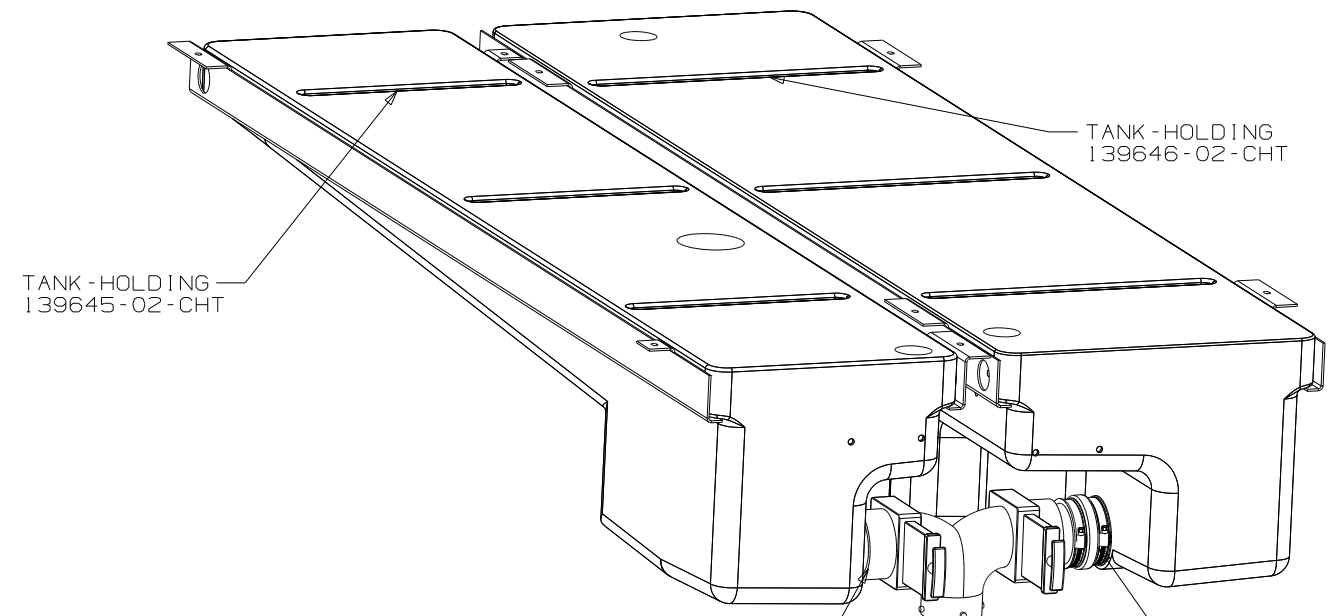
CRADLE ASM
139597-01-CHT
BOLT
C18-05-40A (4)
NUT
D13-05-00B (4)

20

3946

4399

VIEW D

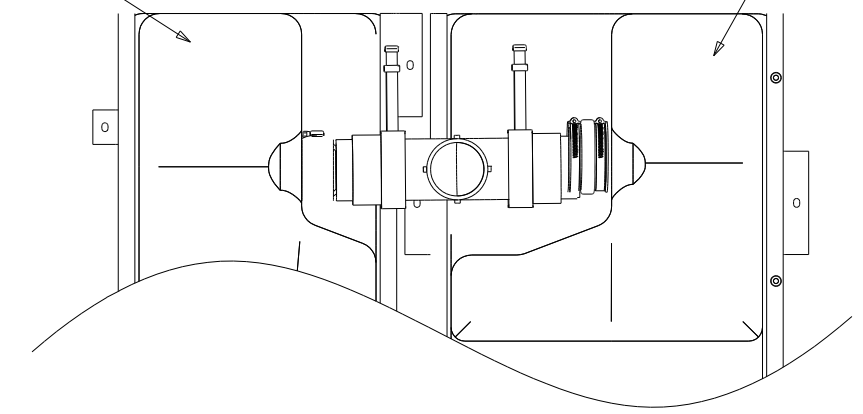


TANK-HOLDING
139645-02-CHT

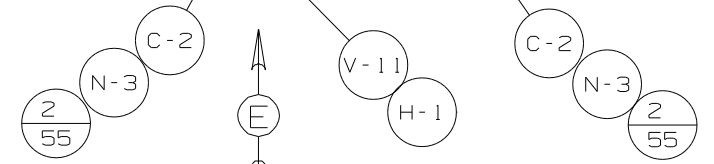
TANK-HOLDING
139646-02-CHT

PAD-HEATER
133972-04-CHT

PAD-HEATER
133972-04-CHT

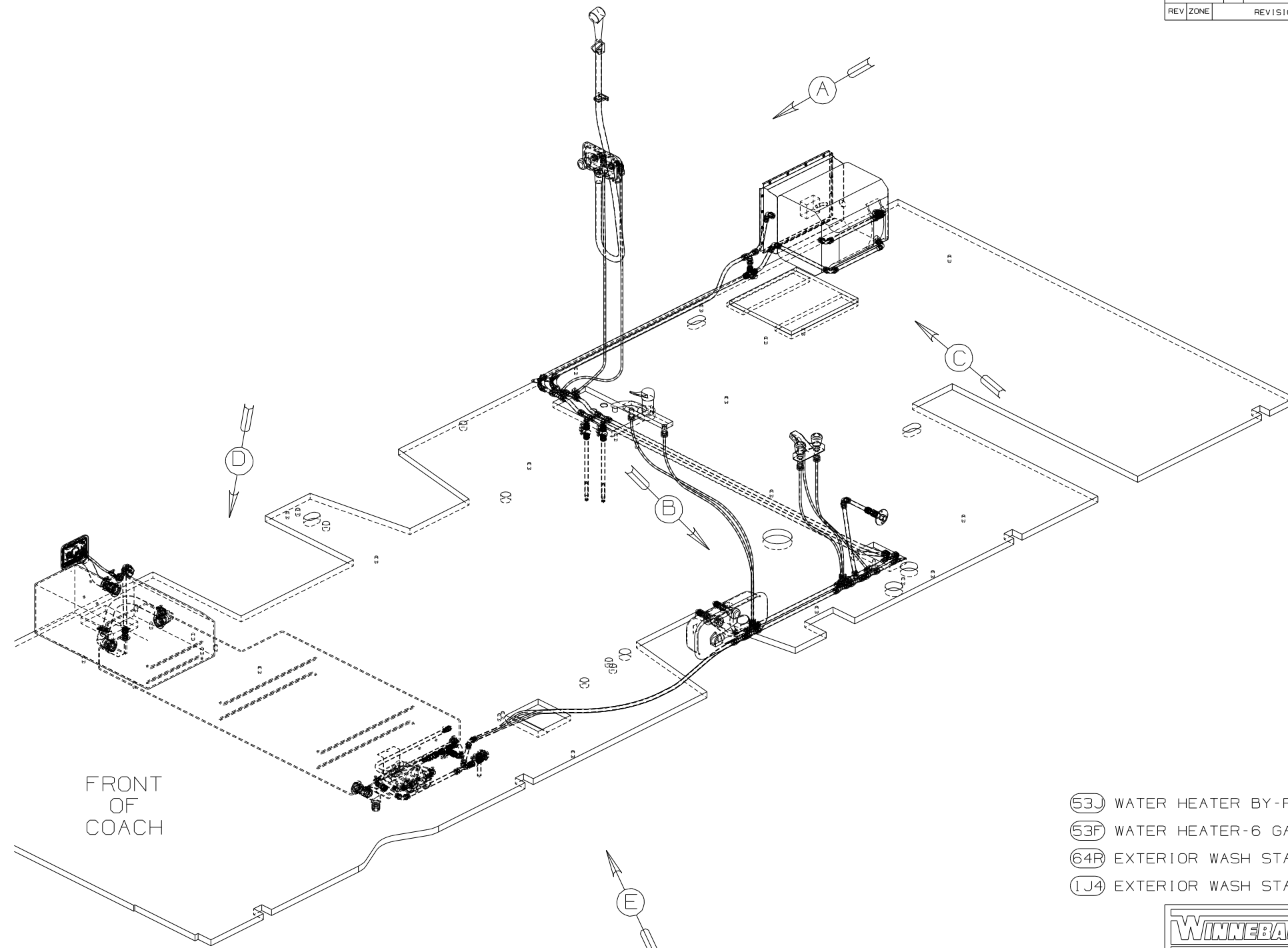


VIEW E



VIEW C

FIRST USED	03 329B
TITLE	DO NOT SCALE DRAWING DRAINAGE SYSTEM INSTL
SHEET 3	PART NO 142220



- 11 LABEL THE HOT AND COLD SUPPLY TUBES.
- 10 TAPE FITTING TO TUBE BEFORE CABINET SET TO PREVENT FITTING FROM MOVING.
- 9 THE BOLTS ON THE FRONT SIDE OF THE WATER TANK ARE TO BE INSTALLED WITH THE HEAD OF THE BOLT ON THE TOP SIDE OF THE FLOOR.
- 8 ATTACH WASHER-PLASTIC 87080-13-CHT WITH TAPE-DOUBLE 123816-03-000 ON BOTTOM SIDE OF LOWER FLOOR.
- 7 ATTACH WASHER-PLASTIC 87080-11-CHT WITH TAPE-DOUBLE 123816-03-000 ON BOTTOM SIDE OF COMPARTMENT.
- 6 ADD TEFLON TAPE 10405-01-000 TO FITTING.
- 5 ADD TEFLON TAPE 10405-03-000 TO FITTING.
- 4 ADD TEFLON TAPE 10405-02-000 TO FITTING.

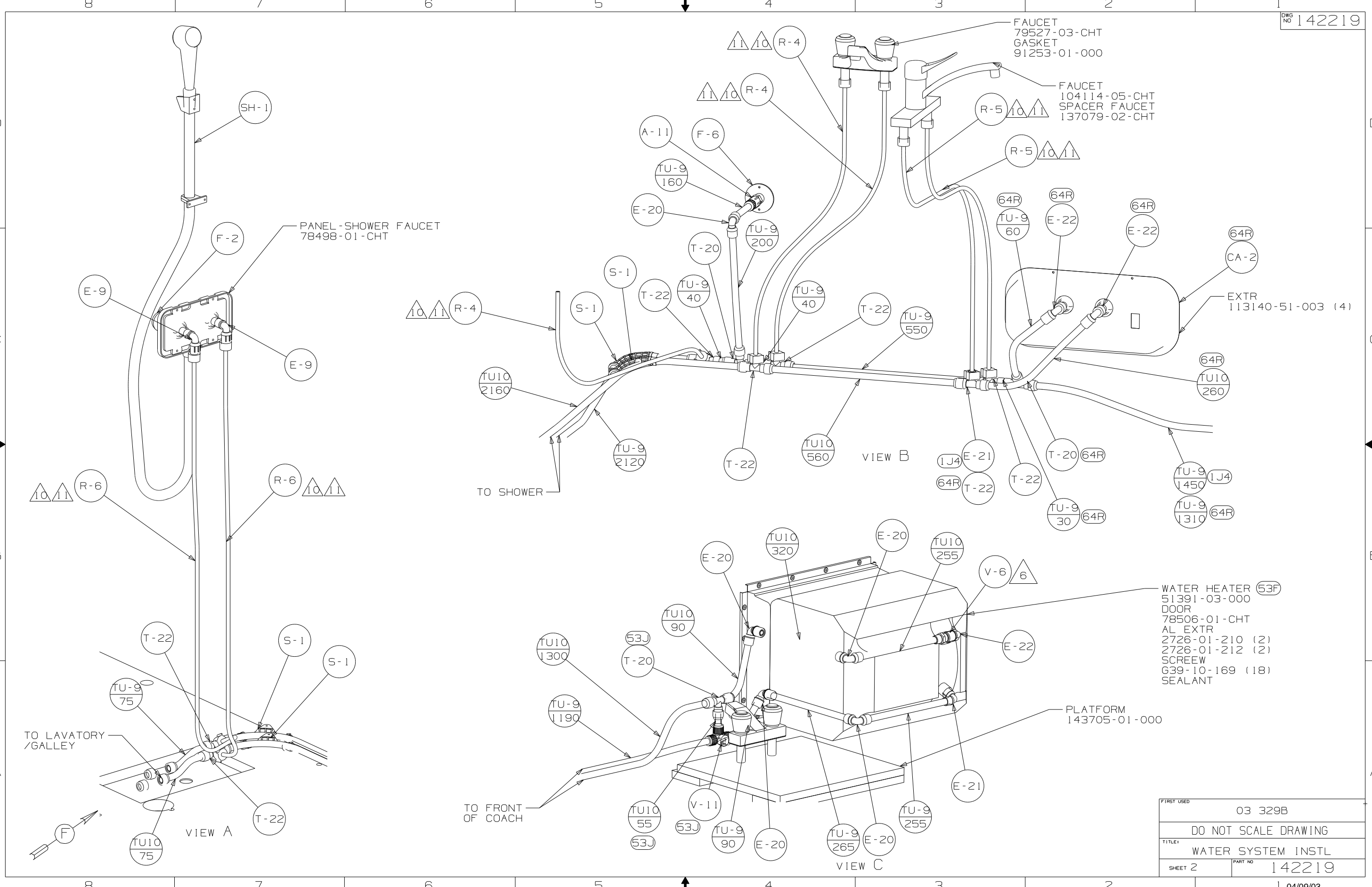
- 3. ALL TUBING TO BE SECURED AT 1200 INTERVALS MAXIMUM WITH CLAMP 10495-01-000 OR CLIP 9151-01-000 AND SCREW G67-10-12B.
- 2. TUBING TO BE INSTALLED WITH SUFFICIENT SLOPE TO PROVIDE DRAINAGE TO NEAREST VALVE.
- 1. PLASTIC FITTINGS TO BE SEALED WITH SEALANT 84456-01-000.

NOTES:

- 53 WATER HEATER BY-PASS-VALVE
- 53F WATER HEATER-6 GAL ELEC IGN
- 64R EXTERIOR WASH STATION
- 1J4 EXTERIOR WASH STATION-WITHOUT

WINNEBAGO		COPYRIGHT 2003 WINNEBAGO INDUSTRIES, INC.	
DFT	ORIG. DATE	ALL DIMENSIONS ARE IN MILLIMETERS	
CHKR		FIRST USED	
P.E.		03 329B	
M.E.		UNSPECIFIED TOLERANCES ARE:	
DSNR		MATERIAL:	
		WHOLE DIM (X)	: 7
		ONE-PLACE (X.X)	:
		TWO-PLACE (X.XX)	:
		ANGLE	:
THIRD ANGLE PROJECTION		DO NOT SCALE DRAWING	
TITLE: WATER SYSTEM INSTL			
SHEET 1 OF 3		PART NO 142219	

FOR
WATER
CALLOUTS
SEE DWG NO
116230-01-000



FAUCET
79527-03-CHT
GASKET
91253-01-000

FAUCET
104114-05-CHT
SPACER FAUCET
137079-02-CHT

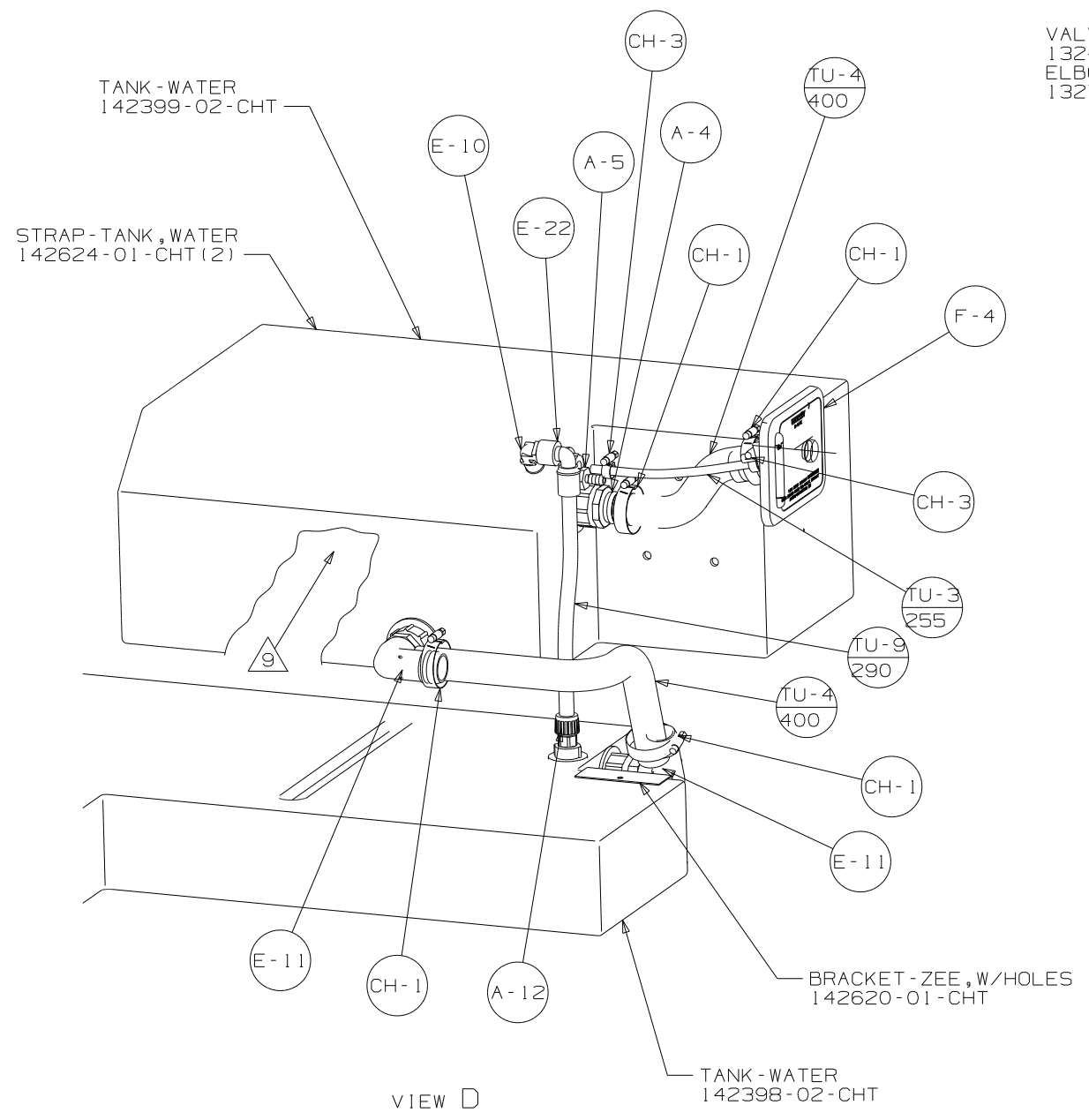
PANEL-SHOWER FAUCET
78498-01-CHT

EXTR
113140-51-003 (4)

WATER HEATER (53F)
51391-03-000
DOOR
78506-01-CHT
AL EXTR
2726-01-210 (2)
2726-01-212 (2)
SCREW
G39-10-169 (18)
SEALANT

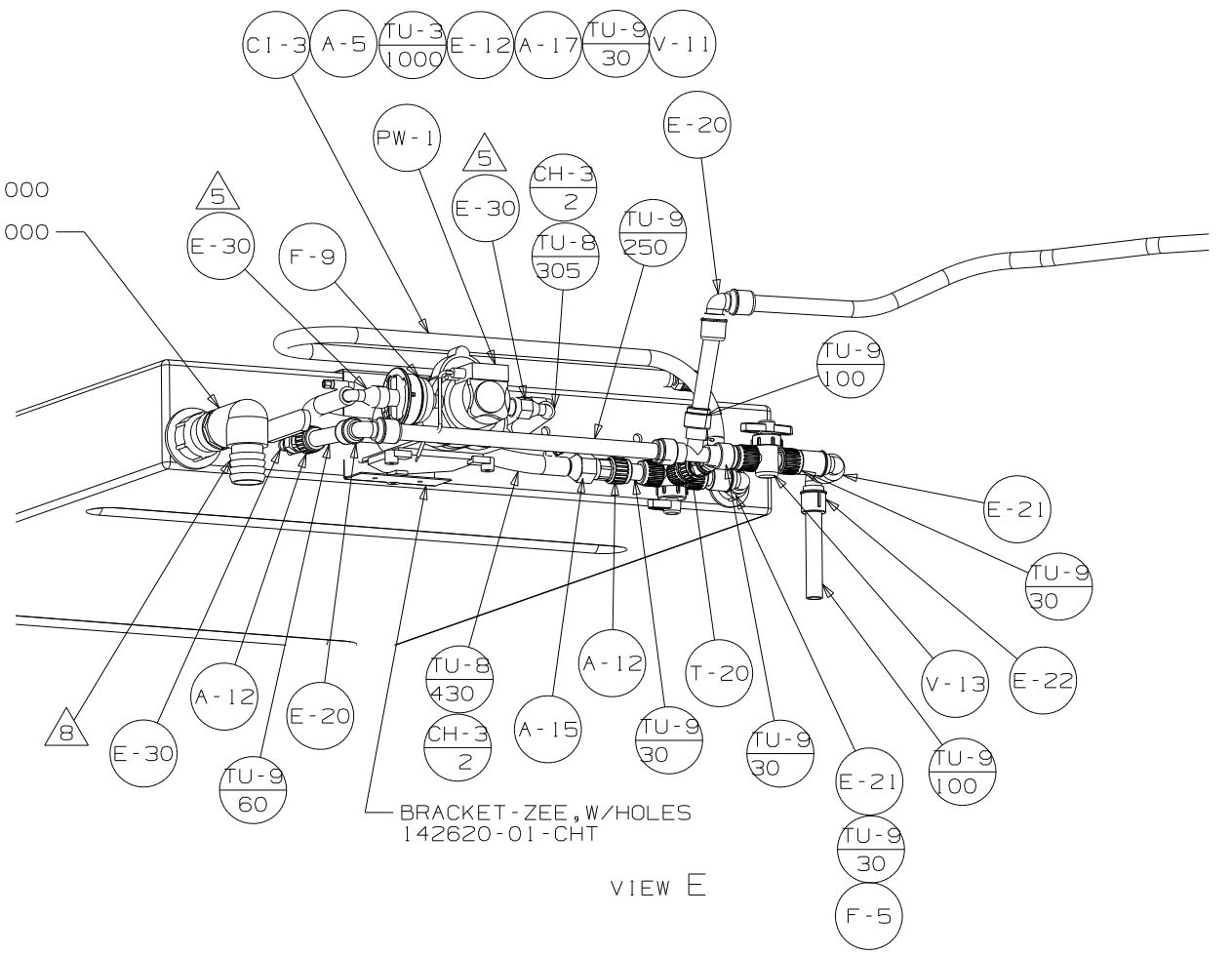
PLATFORM
143705-01-000

FIRST USED	03 329B
TITLE	DO NOT SCALE DRAWING
TITLE	WATER SYSTEM INSTL
SHEET 2	PART NO 142219

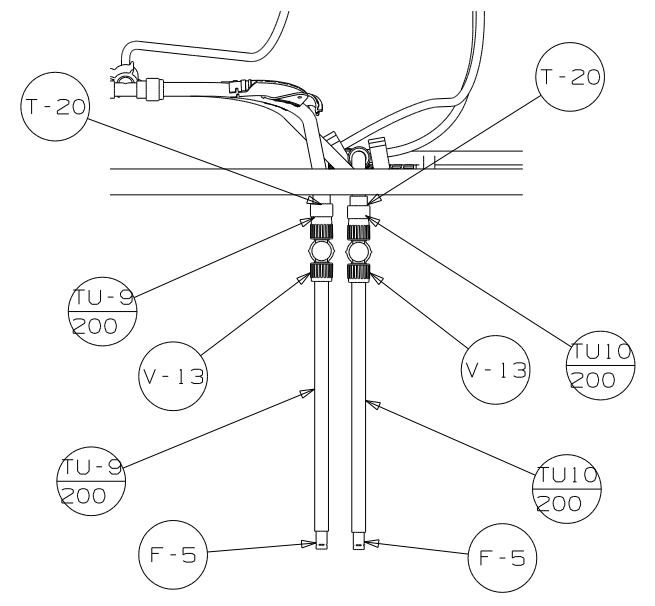


VIEW D

VALVE
132483-01-000
ELBOW
132782-01-000



VIEW E



VIEW F

FIRST USED	03 329B
TITLE	DO NOT SCALE DRAWING
	WATER SYSTEM INSTL
SHEET 3	PART NO 142219