

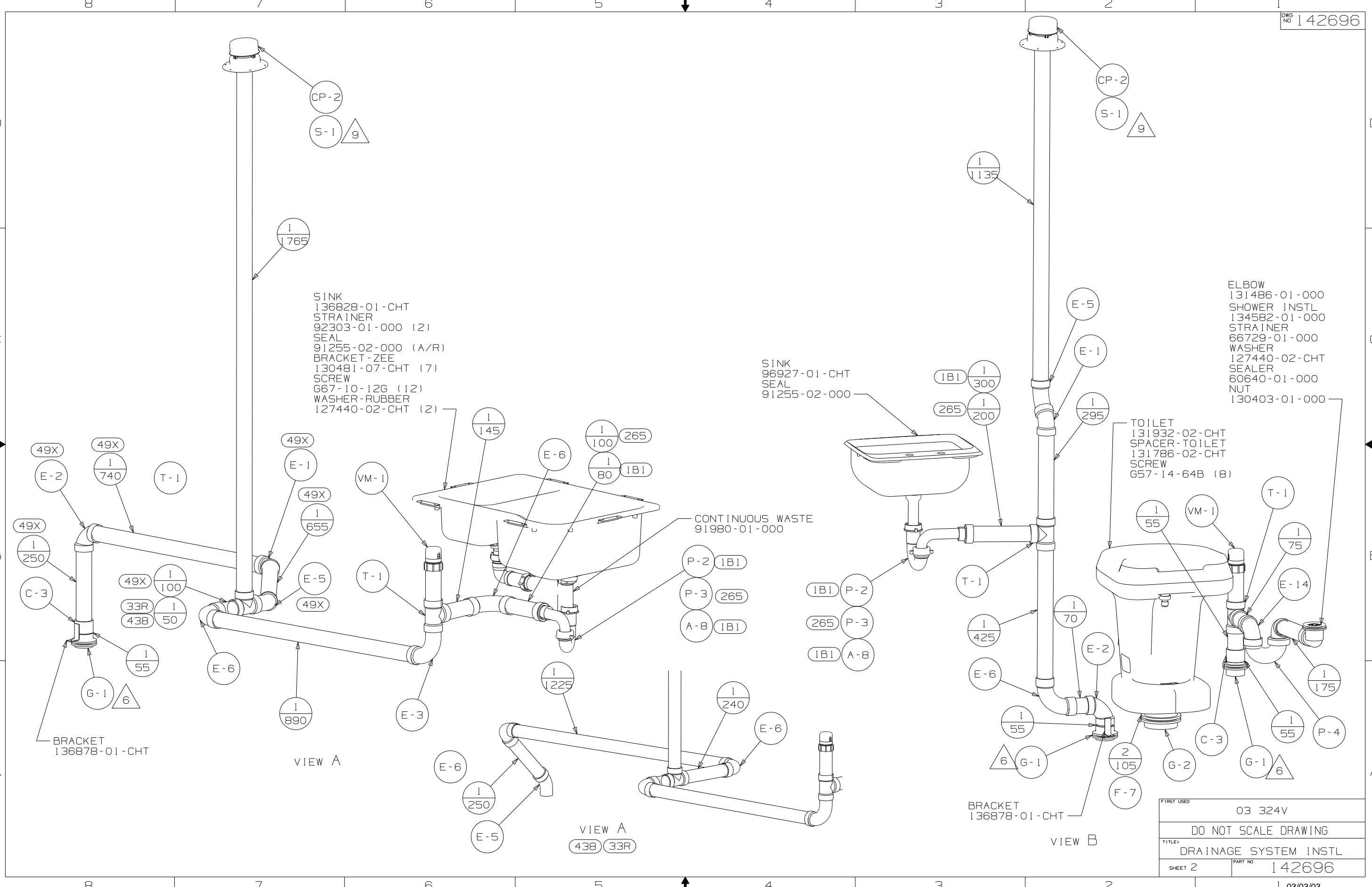
- (1B1) CODES/STANDARDS-USA
- (265) CODES/STDS-CSA/CMVSS
- (49X) BED-QUEEN BACKWALL
- (438) DINETTE L-SHAPED
- (33R) DINETTE L-SHAPED (CSA)
- (16C) FORD CHASSIS 11,500 LB.GVWR
- (1CW) CHEVY CHASSIS 12,300 LB.GVWR
- (23T) HEATED HOLDING TANKS PACKAGE

9. VENT PIPE MUST PROJECT 51 MM MIN AND 64 MM MAX ABOVE ROOF FOR PROPER FIT AND FUNCTION.
8. SEE DRAWING 61607-01-000 FOR INSTL OF GROMMETS.
7. SEAL ALL AROUND SHOWER WITH SILICONE.
6. SECURE VENT TUBES TO FLOOR WITH CLAMP 62401-02-000 (3) AND SCREW G67-10-12B (3).
5. SECURE PIPES TO CABINET USING WIRE TIE 108046-02-000 AND SCREW G67-10-12B (8).
4. ALL EXTERIOR OPENINGS AROUND PIPE TO BE SEALED WITH 110744-01-000.
3. ALL PIPE AND FITTINGS TO BE ASSEMBLED WITH SOLVENT 4020-01-000.
2. SLOPE OF TRAP ARM MUST BE 6 PER 305.
1. SLOPE OF HORIZONTAL PIPING TO BE 6 PER 305 MIN.

NOTES:

FOR DRAINAGE CALLOUTS SEE DWG NO. 116229-01-000

<b>WINNEBAGO</b>		COPYRIGHT 2003 WINNEBAGO INDUSTRIES, INC.	
DFT	ORIG. DATE	ALL DIMENSIONS ARE IN MILLIMETERS	
CHKR		FIRST USED	
P.E.		03 324V	
M.E.		UNSPECIFIED TOLERANCES ARE:	
DSNR		MATERIAL:	
		WHOLE DIM (X)	: 3
		ONE-PLACE (X.X)	:
		TWO-PLACE (X.XX)	:
		ANGLE	:
		THIRD ANGLE PROJECTION	⊕
DO NOT SCALE DRAWING			
TITLE: DRAINAGE SYSTEM INSTL			
SHEET 1 OF 3	PART NO	142696	
REF:134357 1 03/03/03			



SINK  
 136828-01-CHT  
 STRAINER  
 92303-01-000 (2)  
 SEAL  
 91255-02-000 (A/R)  
 BRACKET-ZEE  
 130481-07-CHT (7)  
 SCREW  
 G67-10-12G (12)  
 WASHER-RUBBER  
 127440-02-CHT (2)

SINK  
 96927-01-CHT  
 SEAL  
 91255-02-000

ELBOW  
 131486-01-000  
 SHOWER INSTL  
 134582-01-000  
 STRAINER  
 66729-01-000  
 WASHER  
 127440-02-CHT  
 SEALER  
 60640-01-000  
 NUT  
 130403-01-000

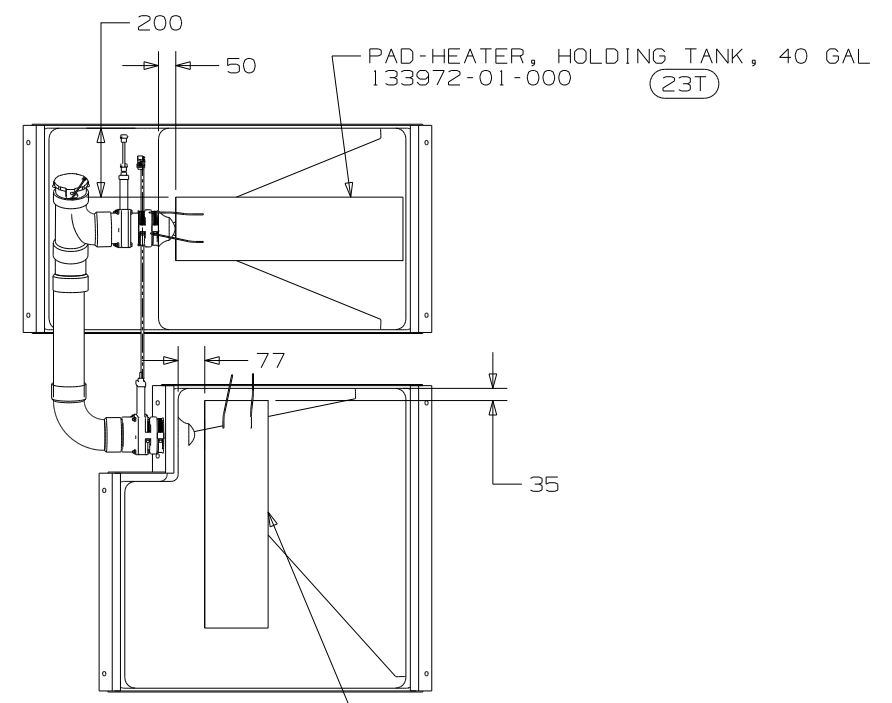
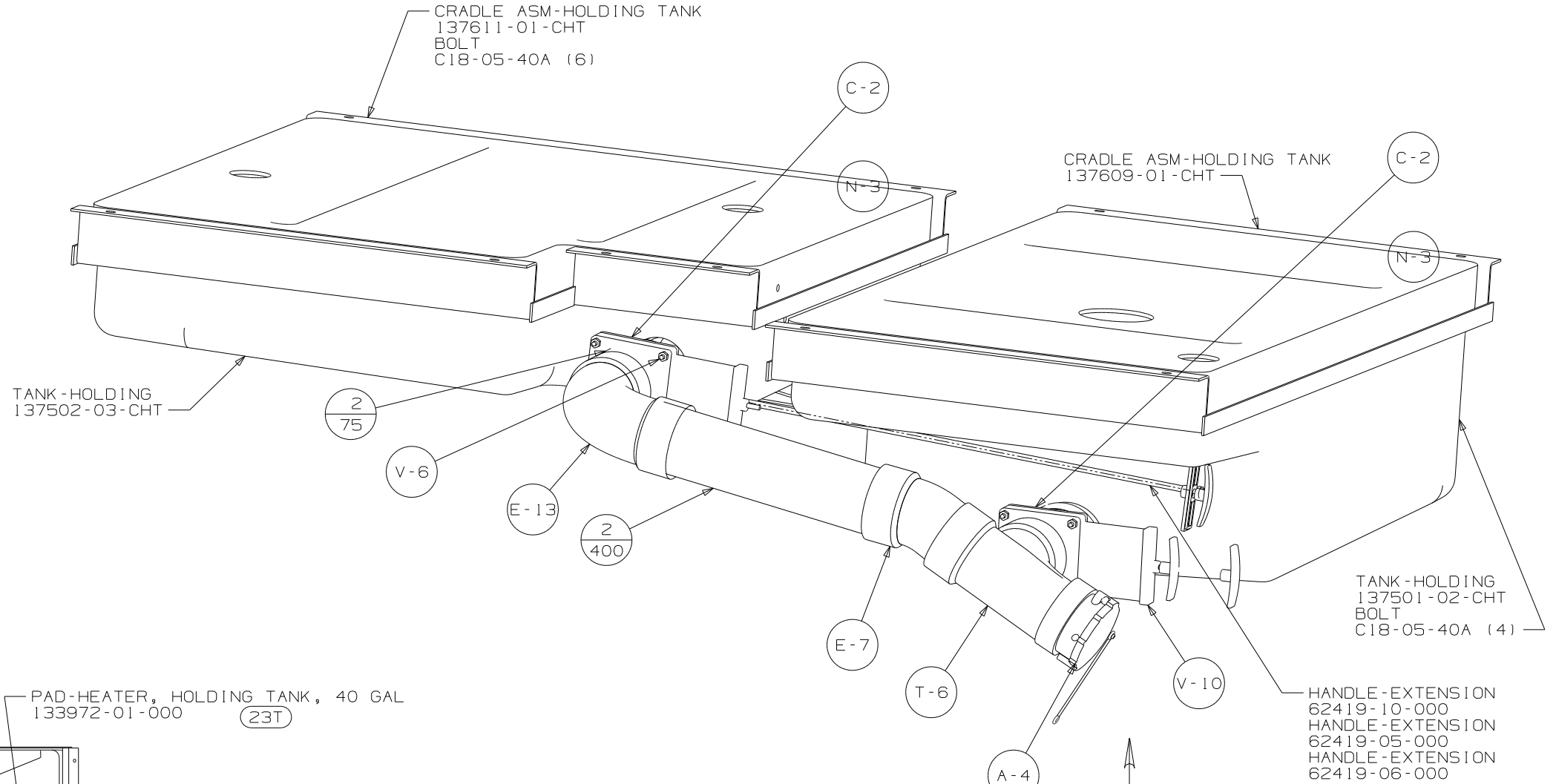
TOILET  
 131932-02-CHT  
 SPACER-TOILET  
 131786-02-CHT  
 SCREW  
 G57-14-64B (8)

VIEW A

VIEW A  
438 33R

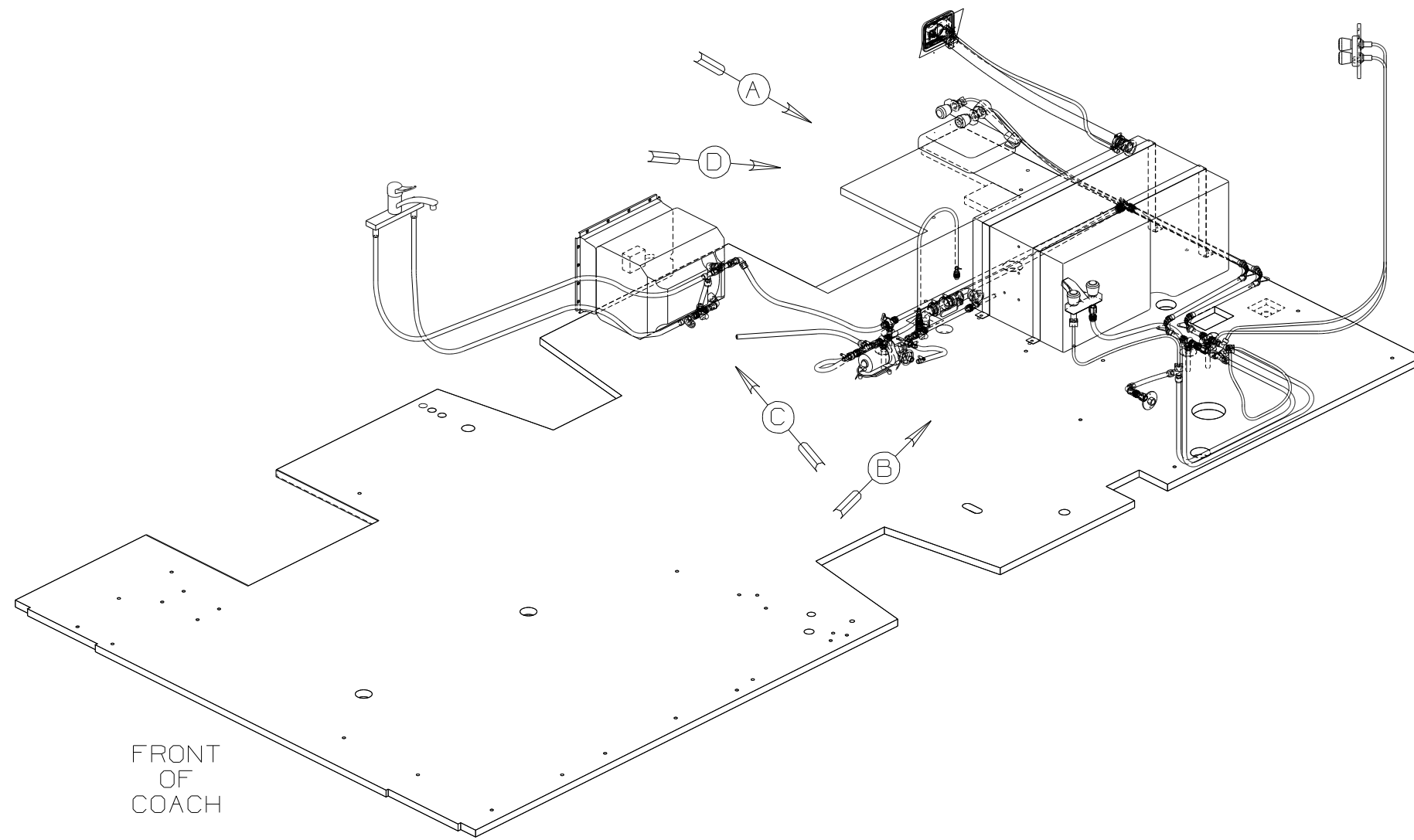
VIEW B

FIRST USED	03 324V
DO NOT SCALE DRAWING	
TITLE	DRAINAGE SYSTEM INSTL
SHEET 2	PART NO 142696



VIEW D  
PAD-HEATER, HOLDING TANK, 40 GAL  
133972-01-000 (23T)

FIRST USED	03 324V
TITLE	DO NOT SCALE DRAWING
	DRAINAGE SYSTEM INSTL
SHEET 3	PART NO 142696



FRONT  
OF  
COACH

- (1J4) EXTERIOR SHWR-W/OUT
- (64R) EXTERIOR WASH STATION
- (49X) BED-QUEEN-BACKWALL
- (43B) DINETTE L-SHAPED
- (33R) DINETTE L-SHAPED (CSA)
- (53P) WATER SYSTEM WINTERIZATION VALVE
- (53J) WATER HEATER BY-PASS VALVE
- (53F) WATER HEATER-6 GAL-ELEC IGN

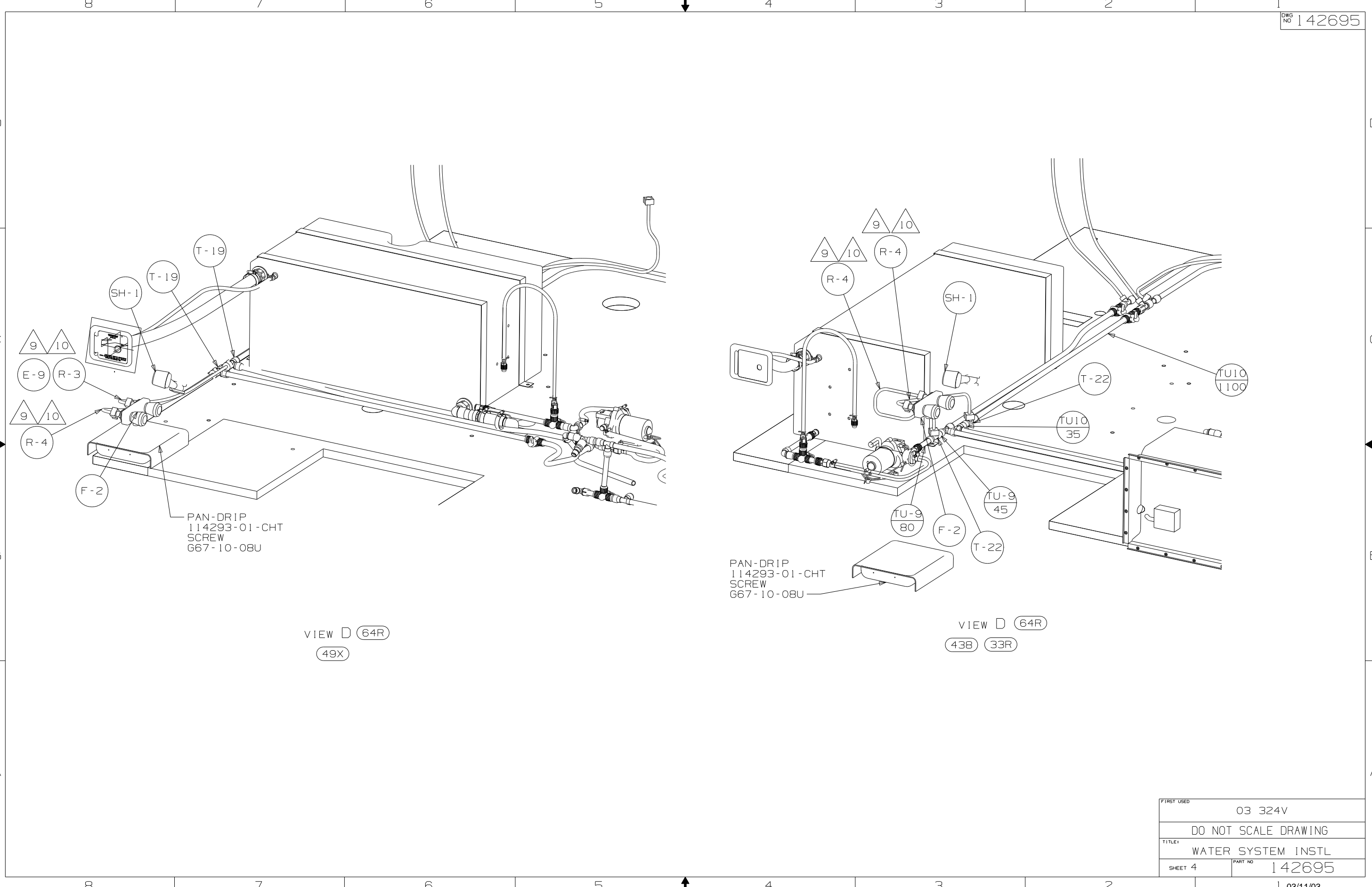
- NOTES:
1. PLASTIC FITTINGS TO BE SEALED WITH SEALANT 84456-01-000.
  2. TUBING TO BE INSTALLED WITH SUFFICIENT SLOPE TO PROVIDE DRAINAGE TO NEAREST VALVE.
  3. ALL TUBING TO BE SECURED AT 1200 INTERVALS MAXIMUM WITH CLAMP 10495-01-000 OR CLIP 9151-01-000 AND SCREW G67-10-12B.
  4. ADD TEFLON TAPE 10405-02-000.
  5. ADD TEFLON TAPE 10405-03-000.
  6. ADD TEFLON TAPE 10405-01-000.
  7. ATTACH WASHER-PLASTIC 87080-11-CHT WITH TAPE-DOUBLE 123816-03-000 ON BOTTOM SIDE OF COMPARTMENT.
  8. ATTACH WASHER-PLASTIC 87080-13-CHT WITH TAPE-DOUBLE 123816-03-000 ON BOTTOM SIDE OF FLOOR.
  9. TAPE FITTING TO TUBE BEFORE CABINET SET TO PREVENT FITTING FROM MOVING.
  10. LABEL THE HOT AND COLD SUPPLY TUBES.

<b>WINNEBAGO</b>		COPYRIGHT 2003 WINNEBAGO INDUSTRIES, INC.	
DFTR	ORIG. DATE	ALL DIMENSIONS ARE IN MILLIMETERS	
CHKR		FIRST USED	
P.E.		03 324V	
M.E.		UNSPECIFIED TOLERANCES ARE:	
DSNR		MATERIAL:	
		WHOLE DIM (X)	: 3
		ONE-PLACE (X.X)	:
		TWO-PLACE (X.XX)	:
		ANGLE	:
THIRD ANGLE PROJECTION		DO NOT SCALE DRAWING	
TITLE: WATER SYSTEM INSTL			
SHEET 1 OF 4		PART NO 142695	

(X-X)  
FOR  
WATER  
CALLOUTS  
SEE DWG NO  
116230-01-000







PAN-DRIP  
114293-01-CHT  
SCREW  
667-10-08U

VIEW D (64R)  
(49X)

PAN-DRIP  
114293-01-CHT  
SCREW  
667-10-08U

VIEW D (64R)  
(438) (33R)

FIRST USED	03 324V
TITLE	DO NOT SCALE DRAWING
	WATER SYSTEM INSTL
SHEET 4	PART NO 142695