

- 6 VENT PIPE MUST PROJECT 51 MIN AND 64 MAX ABOVE ROOF FOR PROPER FIT AND FUNCTION.
5. SEAL AROUND SHOWER WITH SILICONE.
4. ALL EXTERIOR OPENINGS AROUND PIPE TO BE SEALED WITH 100744-01-000.
3. ALL PIPE AND FITTINGS TO BE ASSEMBLED WITH SOLVENT 4020-01-000.
2. SLOPE OF TRAP ARM MUST BE 6 PER 305 mm.
1. SLOPE OF HORIZONTAL PIPING TO BE MIN 3 PER 305 mm.

- (1B1) CODES/STANDARDS-USA
- (265) CODES/STDS-CSA/CMVSS
- (23T) HEATED HOLDING TANKS PACKAGE
- (23F) SHOWER SURROUND

WINNEBAGO		COPYRIGHT 2002 WINNEBAGO INDUSTRIES, INC.	
DFTR	ORIG. DATE	ALL DIMENSIONS ARE IN MILLIMETERS	
CHKR		FIRST USED	
P.E.		03 322R	
M.E.		UNSPECIFIED TOLERANCES ARE:	
DSNR		MATERIAL:	
		WHOLE DIM (X) :	7
		ONE-PLACE (X.X) :	
		TWO-PLACE (X.XX) :	
		ANGLE :	
THIRD ANGLE PROJECTION		DO NOT SCALE DRAWING	
TITLE:		DRAINAGE SYSTEM INSTL	
SHEET 1 OF 3	PART NO	143571	

(X-X)
FOR
DRAINAGE
CALLOUTS
SEE DWG NO
116229-01-000

- SINK
136828-02-CHT
- STRAINER
92303-01-000 (2)
- ANGLE
130481-07-CHT (7)
- SCREW
142261-02-CHT (16)
- WASHER
127440-02-CHT (2)
- SEAL (A/R)

CONTINUOUS WASTE
91980-01-000

- (1B1) P-2
- (265) P-3
- (1B1) A-8

- (43F) SHOWER ENCLOSURE INSTL
104466-01-000
- SEALANT
- STRAINER
66440-01-000
- TAILPIECE
11069-06-000
- NUT
130403-01-000
- WASHER-RUBBER
127440-02-CHT

- (1B1) P-2
- (265) P-3
- (1B1) A-8
- (1) 265
- (1) 365
- (265)

VIEW A

- SINK
96927-01-CHT
- SEAL
91255-02-000 (A/R)

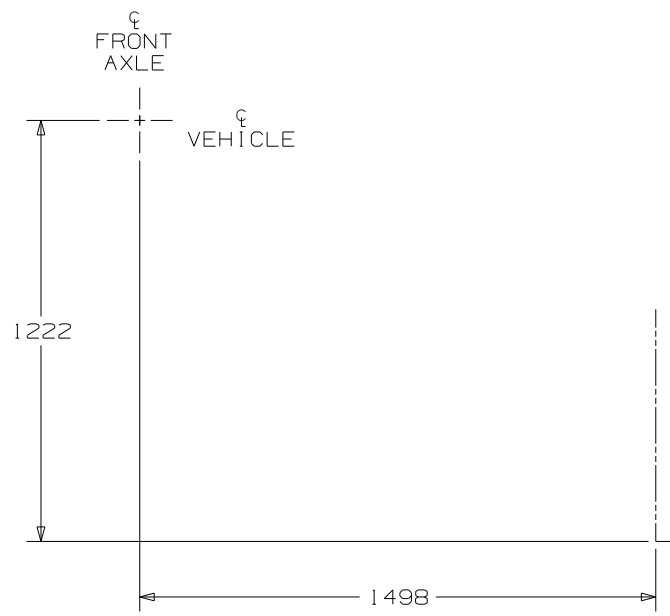
- TOILET-HIGH
131932-02-CHT
- SPACER-TOILET
131786-02-CHT
- SCREW
G57-14-64B (8)

- (1B1) P-2
- (265) P-3
- (1B1) A-8

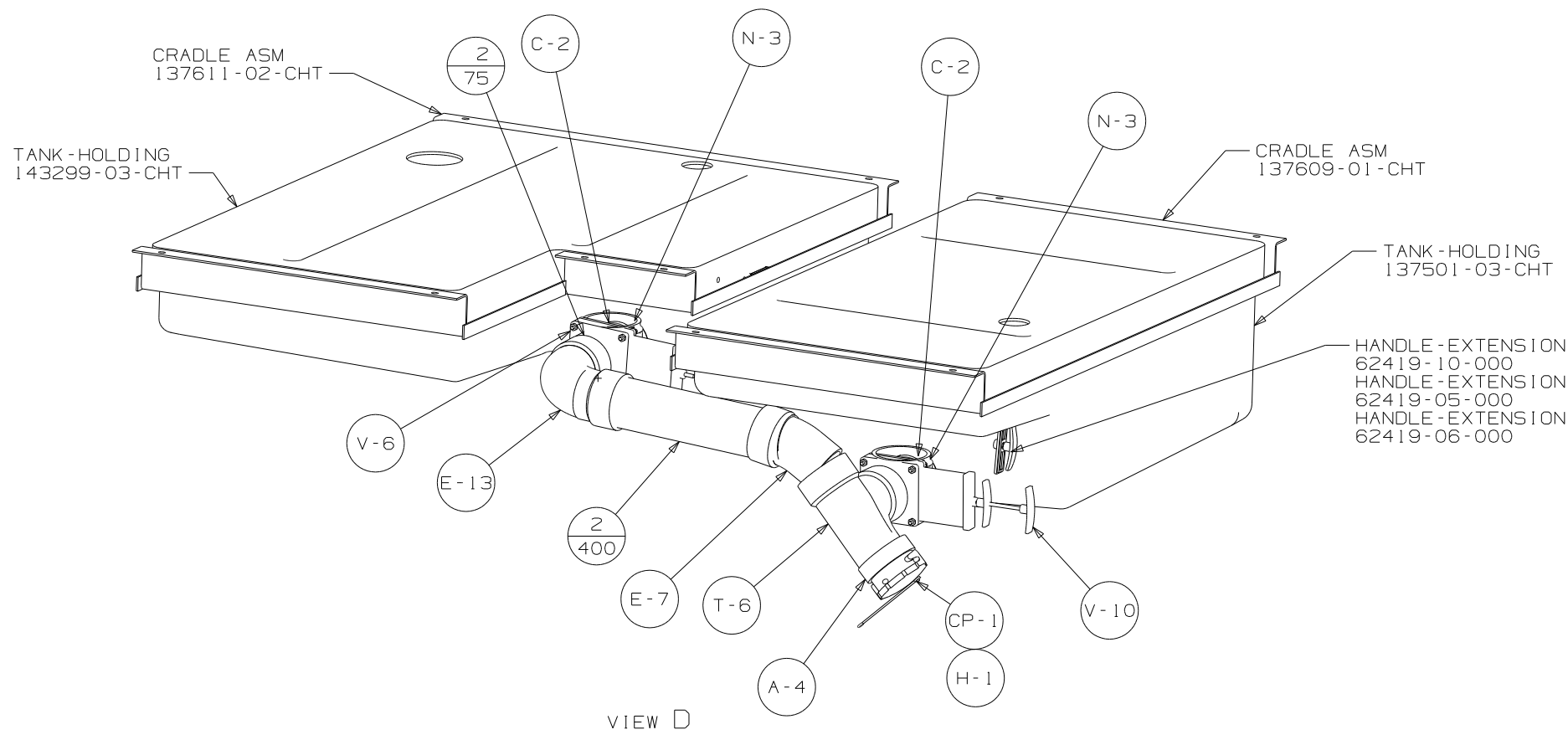
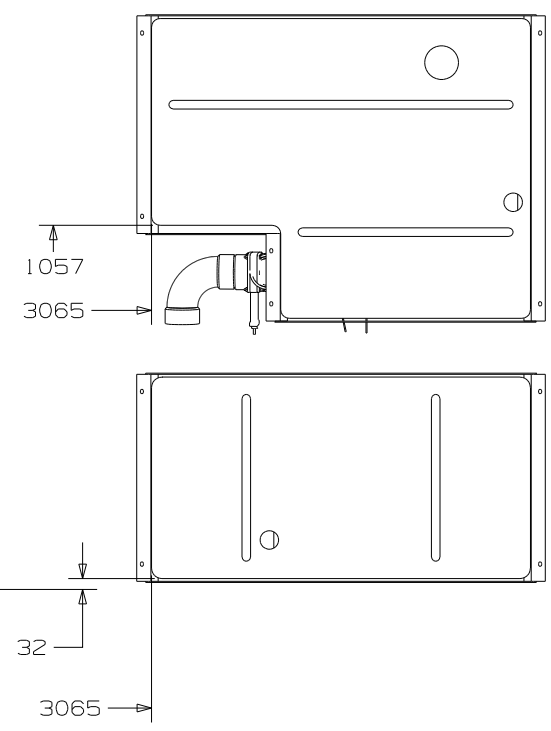
- (1) 55
- (1) 35
- (1) 175
- (1) 55

VIEW B

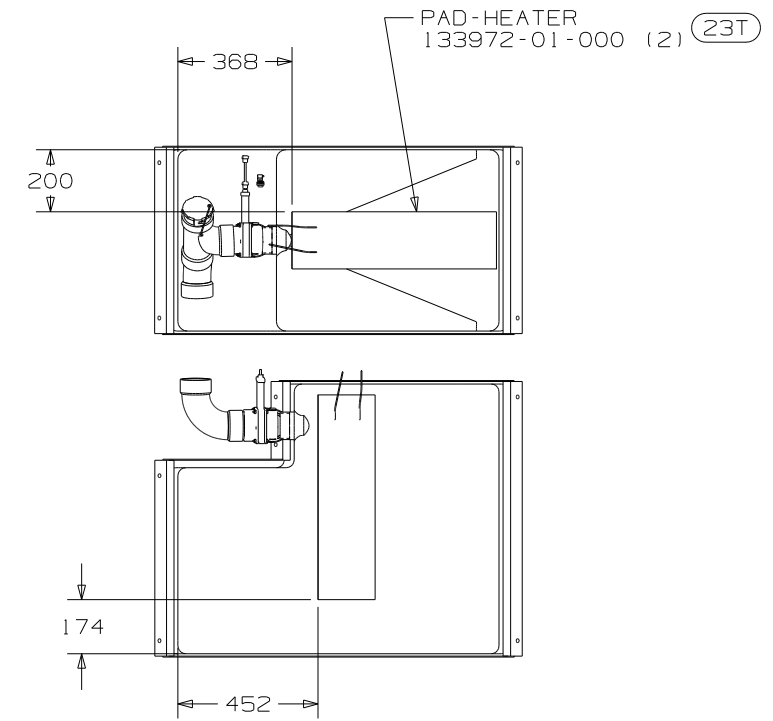
FIRST USED	03 322R
DO NOT SCALE DRAWING	
TITLE	DRAINAGE SYSTEM INSTL
SHEET 2	PART NO 143571



VIEW C

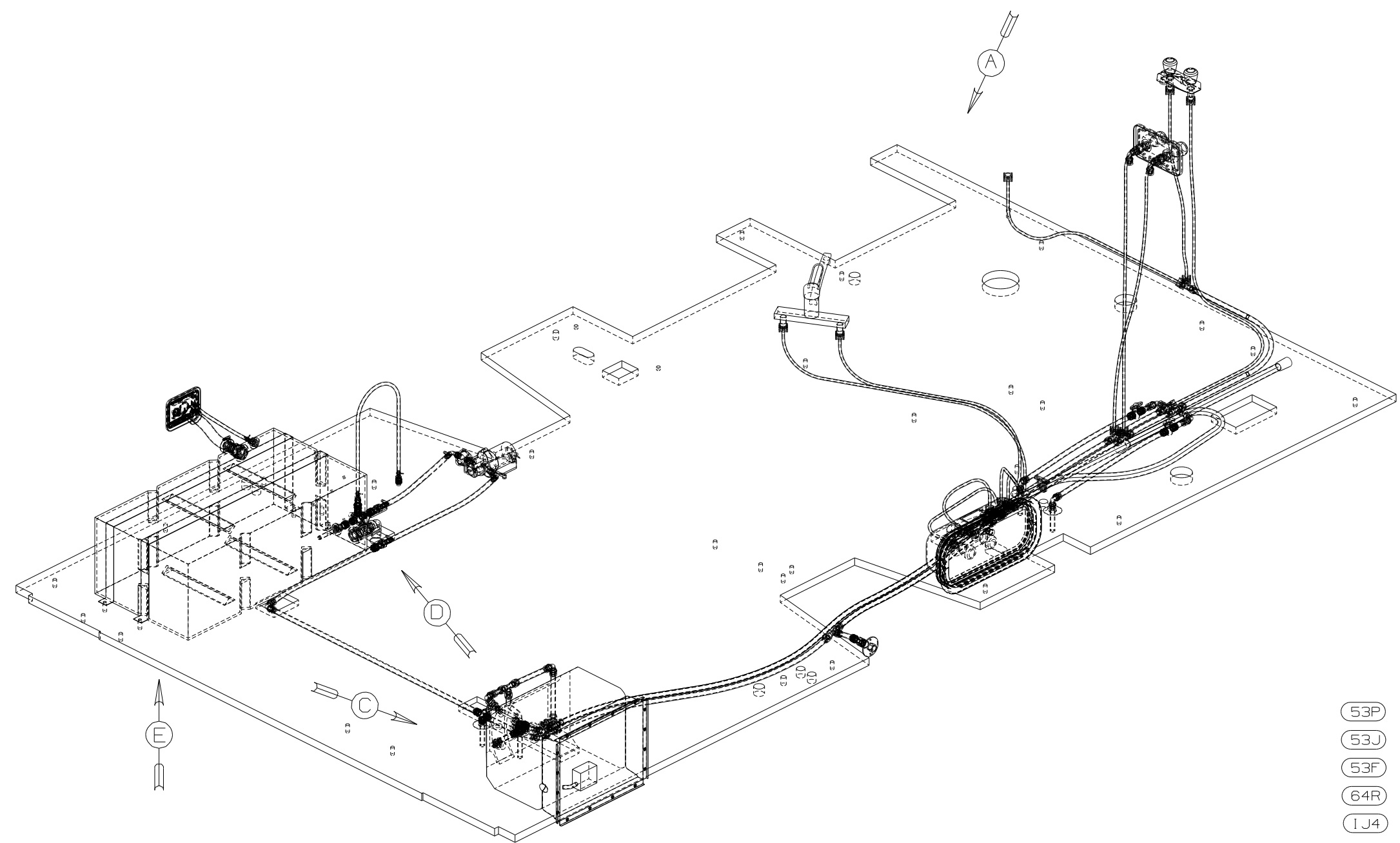


VIEW D



VIEW E

FIRST USED	03 322R
TITLE	DO NOT SCALE DRAWING
	DRAINAGE SYSTEM INSTL
SHEET 3	PART NO 143571



- (53P) WINTERIZING VALVE-MANUAL
- (53J) WATER HEATER BY-PASS VALVE
- (53F) WATER HEATER-ELEC. IGN.
- (64R) EXT WASH STATION
- (1J4) EXT WASH STATION-WITHOUT

- 7 ADD ANTI-RATTLE CLAMP 10495-01-000.
 - 6 ADD TEFLON TAPE 10405-01-000.
 - 5 ADD TEFLON TAPE 10405-02-000.
 - 4 FLUSHING SYSTEM REQUIRES 125697-06-000 INSTRUCTION SHEET.
3. ALL TUBING TO BE SECURED AT 1200 INTERVALS MAXIMUM WITH CLAMP 10495-01-000 OR CLIP 9151-01-000 AND SCREW G67-10-12B.
 2. TUBING TO BE INSTALLED WITH SUFFICIENT SLOPE TO PROVIDE DRAINAGE TO NEAREST VALVE.
 1. PLASTIC FITTINGS TO BE SEALED WITH SEALANT 84456-01-000.

NOTES:

WINNEBAGO		COPYRIGHT 2003 WINNEBAGO INDUSTRIES, INC.	
DFT	ORIG. DATE	ALL DIMENSIONS ARE IN MILLIMETERS	
CHKR		FIRST USED	
P.E.		03 322R	
M.E.		UNSPECIFIED TOLERANCES ARE:	
DSNR		MATERIAL:	
		WHOLE DIM (X) :	7
		ONE-PLACE (X.X) :	
		TWO-PLACE (X.XX) :	
		ANGLE :	
THIRD ANGLE PROJECTION		DO NOT SCALE DRAWING	
TITLE: WATER SYSTEM INSTL			
SHEET 1 OF 3		PART NO 143570	
REF:		1 04/22/03	

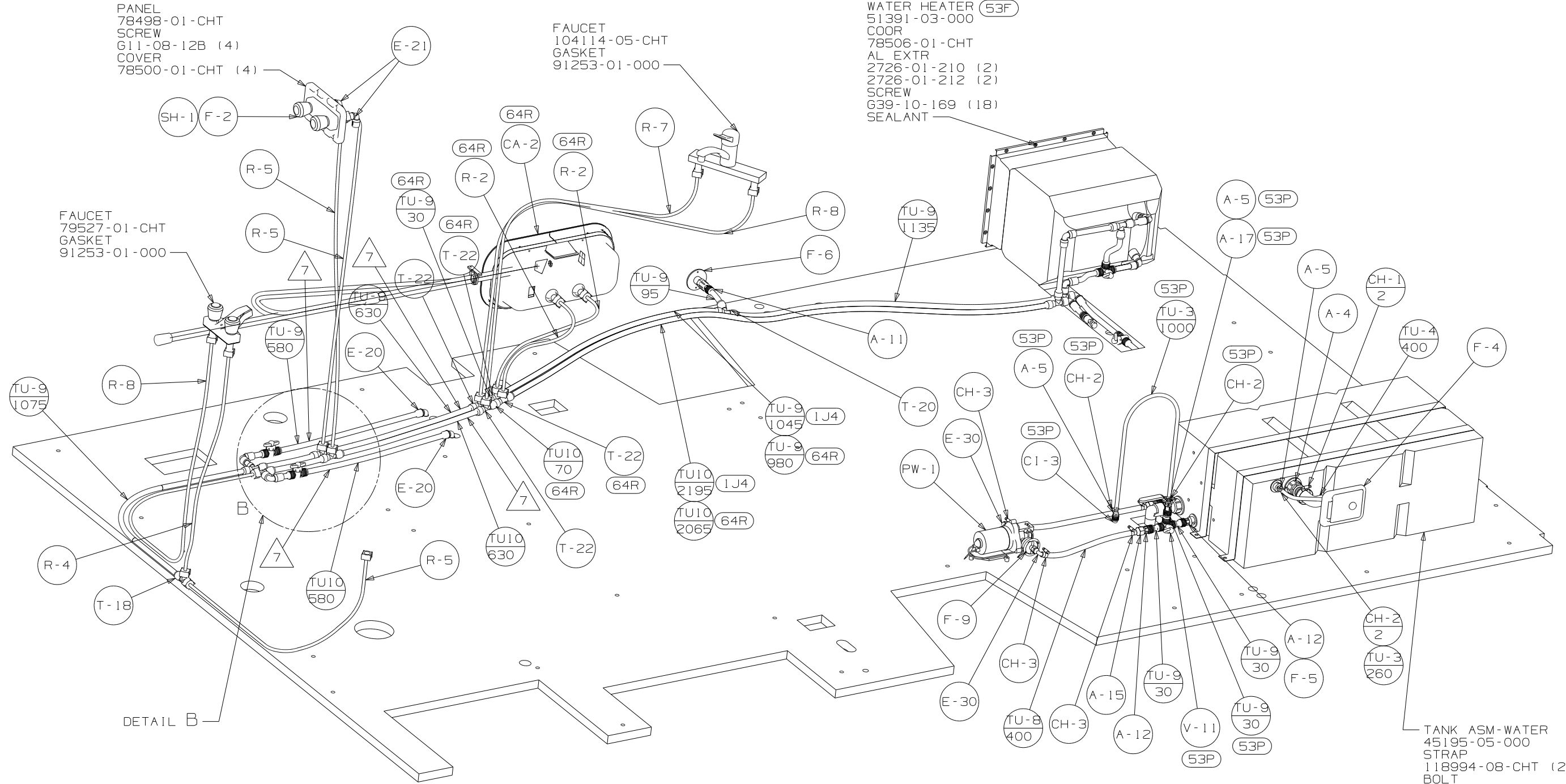
(X-X)
FOR
WATER
CALLOUTS
SEE DWG NO
116230-01-000

PANEL
78498-01-CHT
SCREW
G11-08-12B (4)
COVER
78500-01-CHT (4)

FAUCET
104114-05-CHT
GASKET
91253-01-000

WATER HEATER (53F)
51391-03-000
COOR
78506-01-CHT
AL EXTR
2726-01-210 (2)
2726-01-212 (2)
SCREW
G39-10-169 (18)
SEALANT

FAUCET
79527-01-CHT
GASKET
91253-01-000

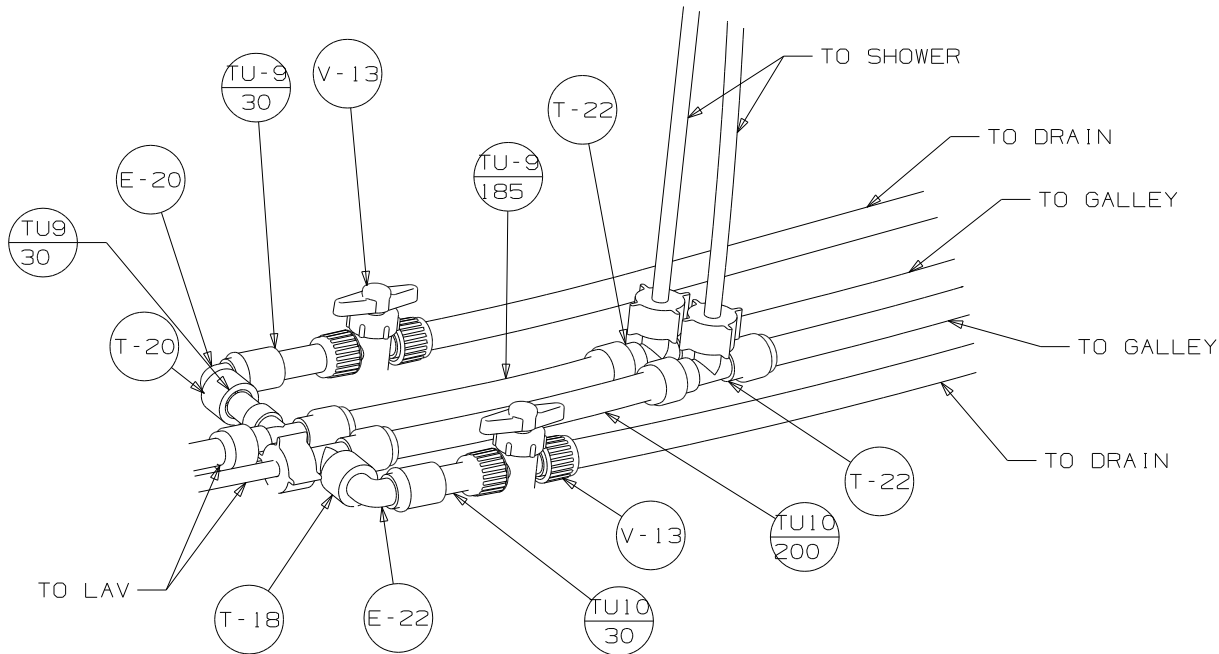


DETAIL B

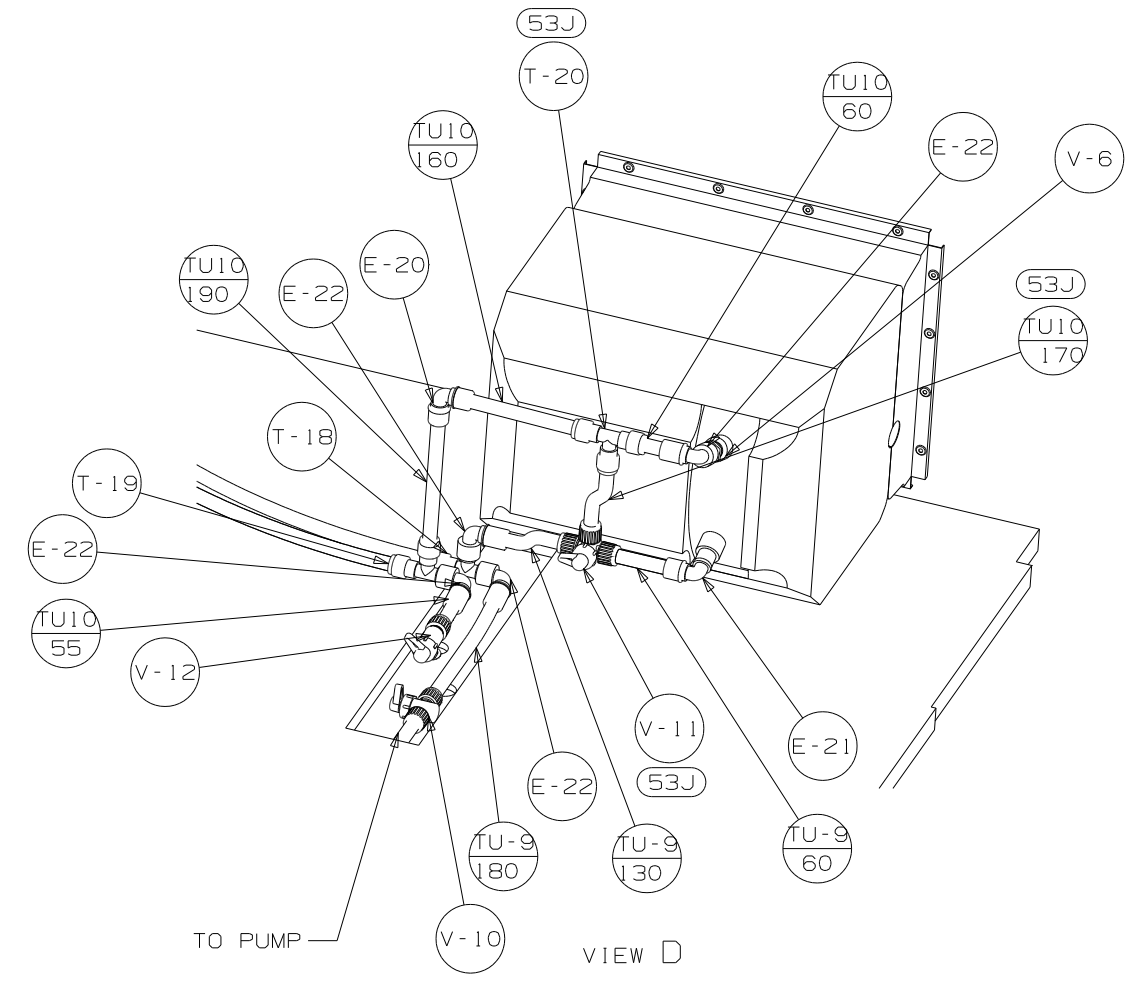
VIEW A

TANK ASM-WATER
45195-05-000
STRAP
118994-08-CHT (2)
BOLT
C18-05-40A (4)
NUT
D39-05-00B (4)

FIRST USED	03 322R
TITLE	DO NOT SCALE DRAWING
TITLE	WATER SYSTEM INSTL
SHEET 2	PART NO 143570

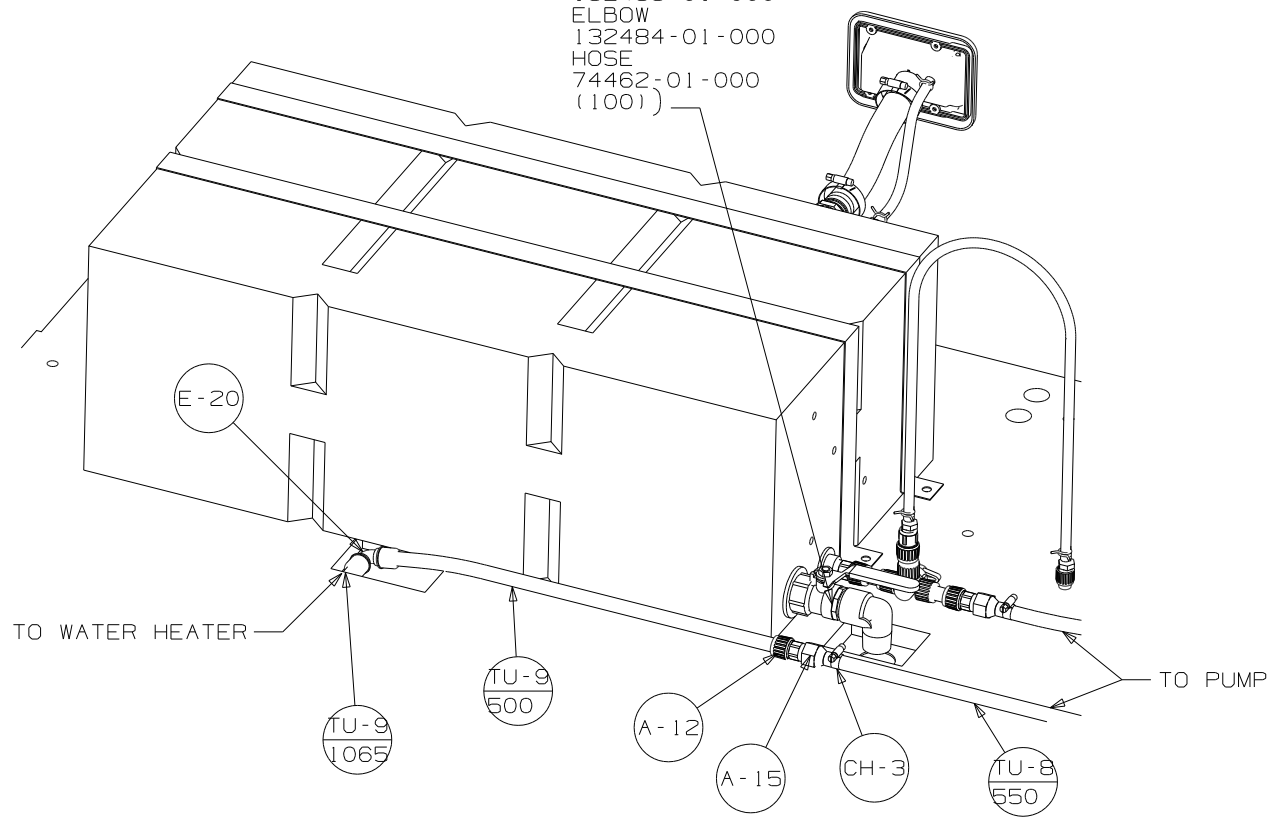


DETAIL B

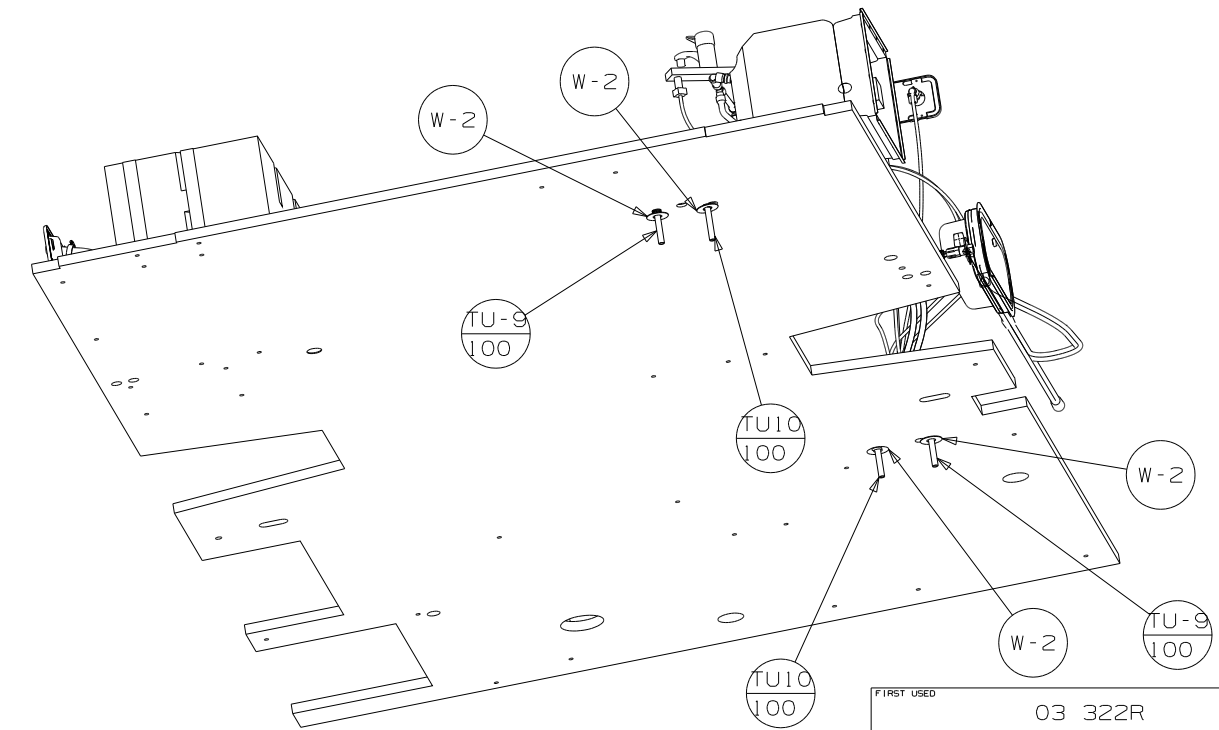


VIEW D

- VALVE 132483-01-000
- ELBOW 132484-01-000
- HOSE 74462-01-000 (1001)



VIEW C



VIEW E

FIRST USED	03 322R
TITLE	DO NOT SCALE DRAWING
TITLE	WATER SYSTEM INSTL
SHEET 3	PART NO 143570