

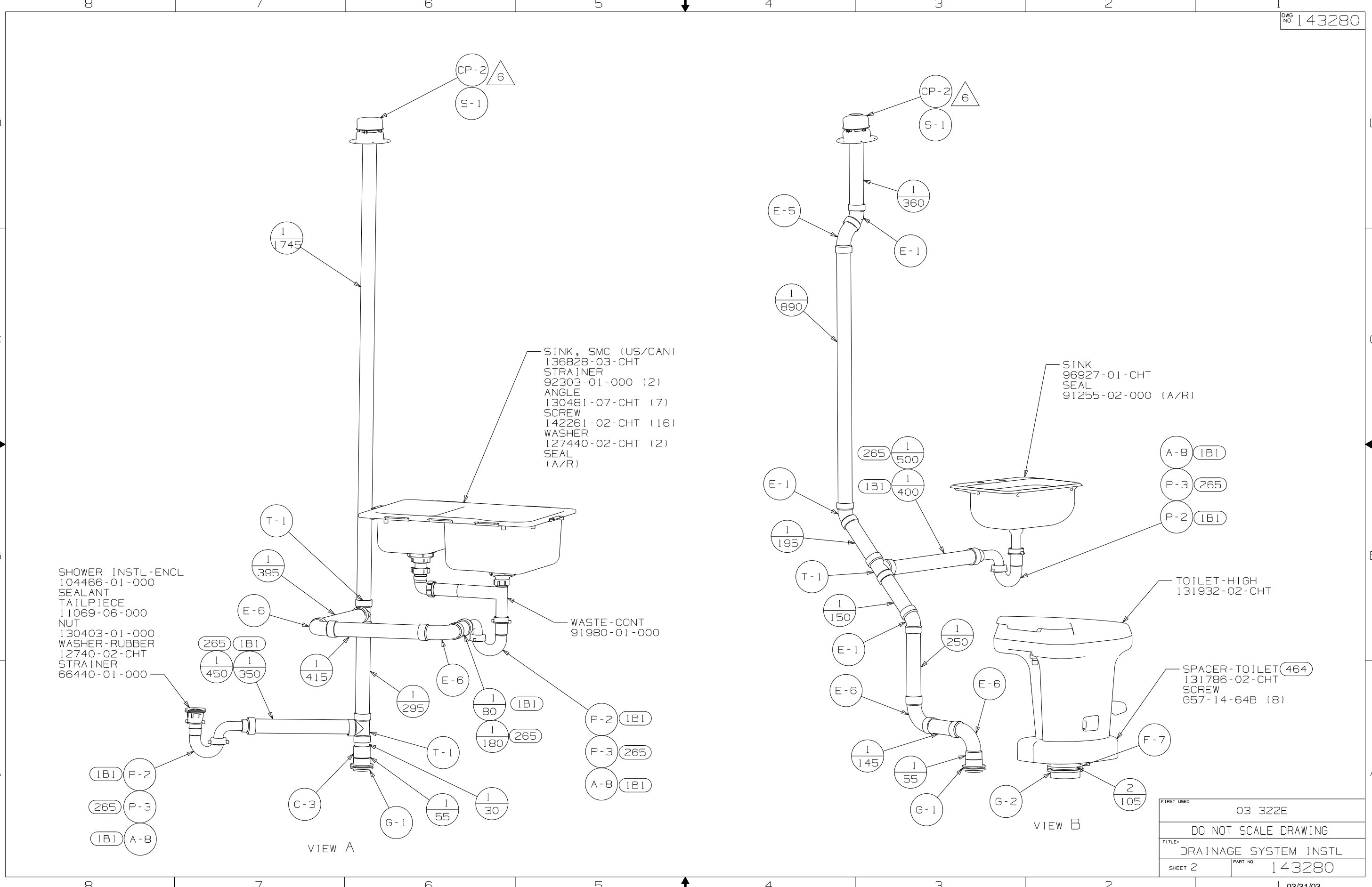
- (1B1) CODES/STANDARDS-USA
- (265) CODES/STDS-CSA/CMVSS
- (464) TOILET
- (43F) SHOWER SURROUND
- (23T) DRAINAGE SYSTEM-HEATED

- 6 VENT PIPE MUST PROJECT 51 MIN AND 64 MAX ABOVE ROOF FOR PROPER FIT AND FUNCTION.
5. SEAL AROUND SHOWER WITH SILICONE.
  4. ALL EXTERIOR OPENINGS AROUND PIPE TO BE SEALED WITH 110744-01-000.
  3. ALL PIPE AND FITTINGS TO BE ASSEMBLED WITH SOLVENT 4020-01-000.
  2. SLOPE OF TRAP ARM MUST BE 6 PER 305 mm.
  1. SLOPE OF HORIZONTAL PIPING TO BE MIN 3 PER 305 mm.

NOTES:

(X-X)  
FOR DRAINAGE CALLOUTS SEE DWG NO 116229-01-000

|                              |            |   |   |
|------------------------------|------------|---|---|
| <b>WINNEBAGO</b>             |            | COPYRIGHT 2003 WINNEBAGO INDUSTRIES, INC. |   |
| DFTR                         | ORIG. DATE | ALL DIMENSIONS ARE IN MILLIMETERS         |   |
| CHKR                         |            | FIRST USED                                |   |
| P.E.                         |            | 03 322E                                   |   |
| M.E.                         |            | UNSPECIFIED TOLERANCES ARE:               |   |
| DSNR                         |            | MATERIAL:                                 |   |
|                              |            | WHOLE DIM (X) :                           | 3 |
|                              |            | ONE-PLACE (X.X) :                         |   |
|                              |            | TWO-PLACE (X.XX) :                        |   |
|                              |            | ANGLE :                                   |   |
| THIRD ANGLE PROJECTION       |            | DO NOT SCALE DRAWING                      |   |
| TITLE: DRAINAGE SYSTEM INSTL |            |   |   |
| SHEET 1 OF 3                 | PART NO    | 143280                                    |   |



CP-2 6  
S-1

CP-2 6  
S-1

1  
1745

E-5

1  
360

1  
890

1  
500

1B1  
400

A-8 1B1

P-3 265

P-2 1B1

SINK, SMC (US/CAN)  
136828-03-CHT  
STRAINER  
92303-01-000 (2)  
ANGLE  
130481-07-CHT (7)  
SCREW  
142261-02-CHT (16)  
WASHER  
127440-02-CHT (2)  
SEAL  
(A/R)

SINK  
96927-01-CHT  
SEAL  
91255-02-000 (A/R)

SHOWER INSTL-ENCL  
104466-01-000  
SEALANT  
TAILPIECE  
11069-06-000  
NUT  
130403-01-000  
WASHER-RUBBER  
12740-02-CHT  
STRAINER  
66440-01-000

WASTE-CONT  
91980-01-000

TOILET-HIGH  
131932-02-CHT

SPACER-TOILET  
131786-02-CHT  
SCREW  
G57-14-64B (8)

T-1

1  
395

E-6

265 1B1  
1  
450 1  
350

1  
415

1  
295

E-6

1  
80 1B1

1  
180 265

P-2 1B1

P-3 265

A-8 1B1

1B1 P-2

265 P-3

1B1 A-8

C-3

G-1

1  
55

1  
30

1  
195

T-1

1  
150

E-1

E-6

1  
145

G-1

1  
55

G-2

2  
105

1  
250

E-6

F-7

G-2

|                      |                       |
|----------------------|-----------------------|
| FIRST USED           | 03 322E               |
| DO NOT SCALE DRAWING |                       |
| TITLE                | DRAINAGE SYSTEM INSTL |
| SHEET 2              | PART NO 143280        |

FRONT AXLE  
VEHICLE

1222

1498

VIEW C

3065

787

32

3065

232

CRADLE ASM  
137611-02-CHT

TANK - HOLDING  
143299-02-CHT

N-3

C-2

V-6

C-2

CRADLE ASM  
137609-01-CHT

TANK - HOLDING  
137501-02-CHT

N-3

HANDLE - EXTENSION  
62419-10-000  
HANDLE - EXTENSION  
62419-05-000  
HANDLE - EXTENSION  
62419-06-000

2  
75

E-13

2  
400

E-7

T-6

CP-1

H-1

A-4

V-10

368

200

174

452

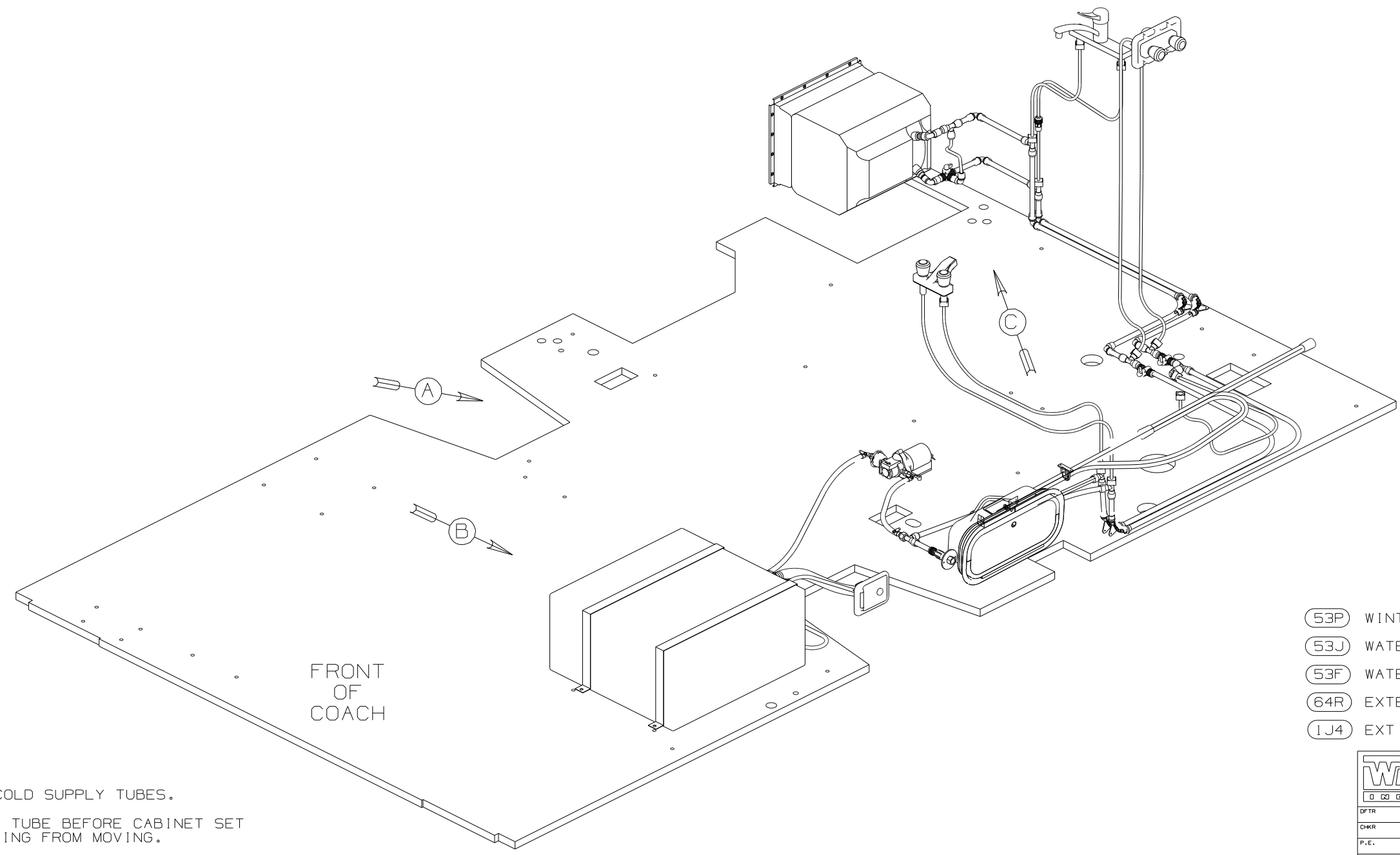
PAD-HEATER (23T)  
133972-01-000 (2)

VIEW E

VIEW D

|                       |                      |
|-----------------------|----------------------|
| FIRST USED            | 03 322E              |
| TITLE                 | DO NOT SCALE DRAWING |
| SHEET 3               | PART NO 143280       |
| DRAINAGE SYSTEM INSTL |                      |

8 7 6 5 4 3 2



FRONT OF COACH

- (53P) WINTERIZING VALVE, MANUAL
- (53J) WATER HEATER BY-PASS-VALVE
- (53F) WATER HEATER-ELEC IGNITION
- (64R) EXTERIOR WASH STATION
- (1J4) EXT WASH STATION-WITHOUT

- NOTES:
- 7 LABEL HOT AND COLD SUPPLY TUBES.
  - 6 TAPE FITTING TO TUBE BEFORE CABINET SET TO PREVENT FITTING FROM MOVING.
  - 5 ADD TEFLON TAPE 10405-01-000.
  - 4 ADD TEFLON TAPE 10405-02-000.
3. ALL TUBING TO BE SECURED AT 1200 INTERVALS MAXIMUM WITH CLAMP 10495-01-000 OR CLIP 9151-01-000 AND SCREW 667-10-12B.
2. TUBING TO BE INSTALLED WITH SUFFICIENT SLOPE TO PROVIDE DRAINAGE TO NEAREST VALVE.
1. PLASTIC FITTINGS TO BE SEALED WITH SEALANT 84456-01-000.

|                           |            |   |   |
|---------------------------|------------|---|---|
| <b>WINNEBAGO</b>          |            | COPYRIGHT 2003<br>WINNEBAGO<br>INDUSTRIES, INC. |   |
| DFTR                      | ORIG. DATE | ALL DIMENSIONS ARE<br>IN MILLIMETERS            |   |
| CHKR                      |            | FIRST USED                                      |   |
| P.E.                      |            | 03 322E   |   |
| M.E.                      |            | UNSPECIFIED TOLERANCES ARE:                     |   |
| DSNR                      |            | MATERIAL:                                       |   |
|                           |            | WHOLE DIM (X) :                                 | 3 |
|                           |            | ONE-PLACE (X.X) :                               |   |
|                           |            | TWO-PLACE (X.XX) :                              |   |
|                           |            | ANGLE :   |   |
| THIRD ANGLE PROJECTION    |            | DO NOT SCALE DRAWING                            |   |
| TITLE: WATER SYSTEM INSTL |            |   |   |
| SHEET 1 OF 3              |            | PART NO 143279                                  |   |

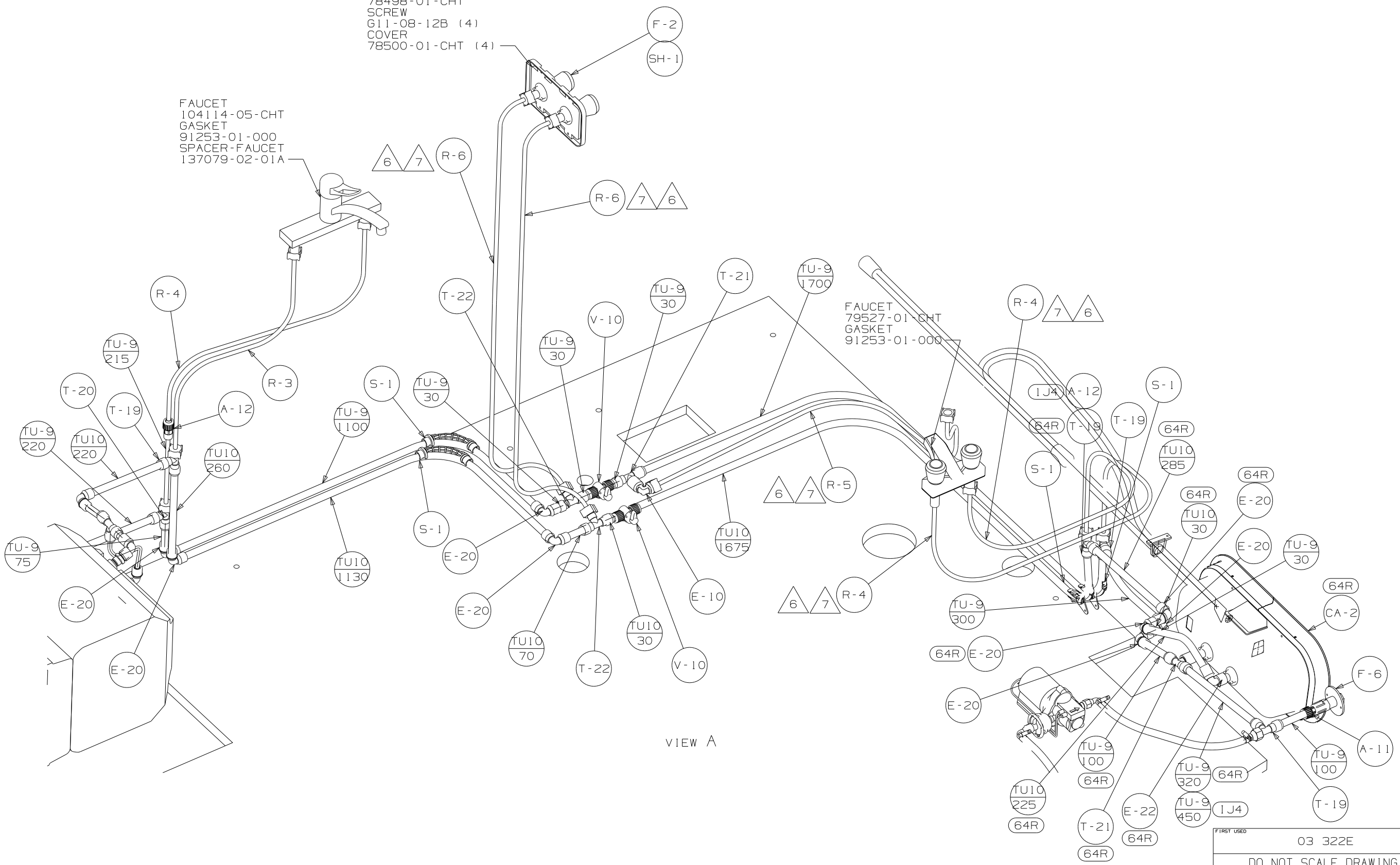
(X-X)  
FOR  
WATER  
CALLOUTS  
SEE DWG NO  
116230-01-000

8 7 6 5 4 3 2

PANEL  
78498-01-CHT  
SCREW  
G11-08-12B (4)  
COVER  
78500-01-CHT (4)

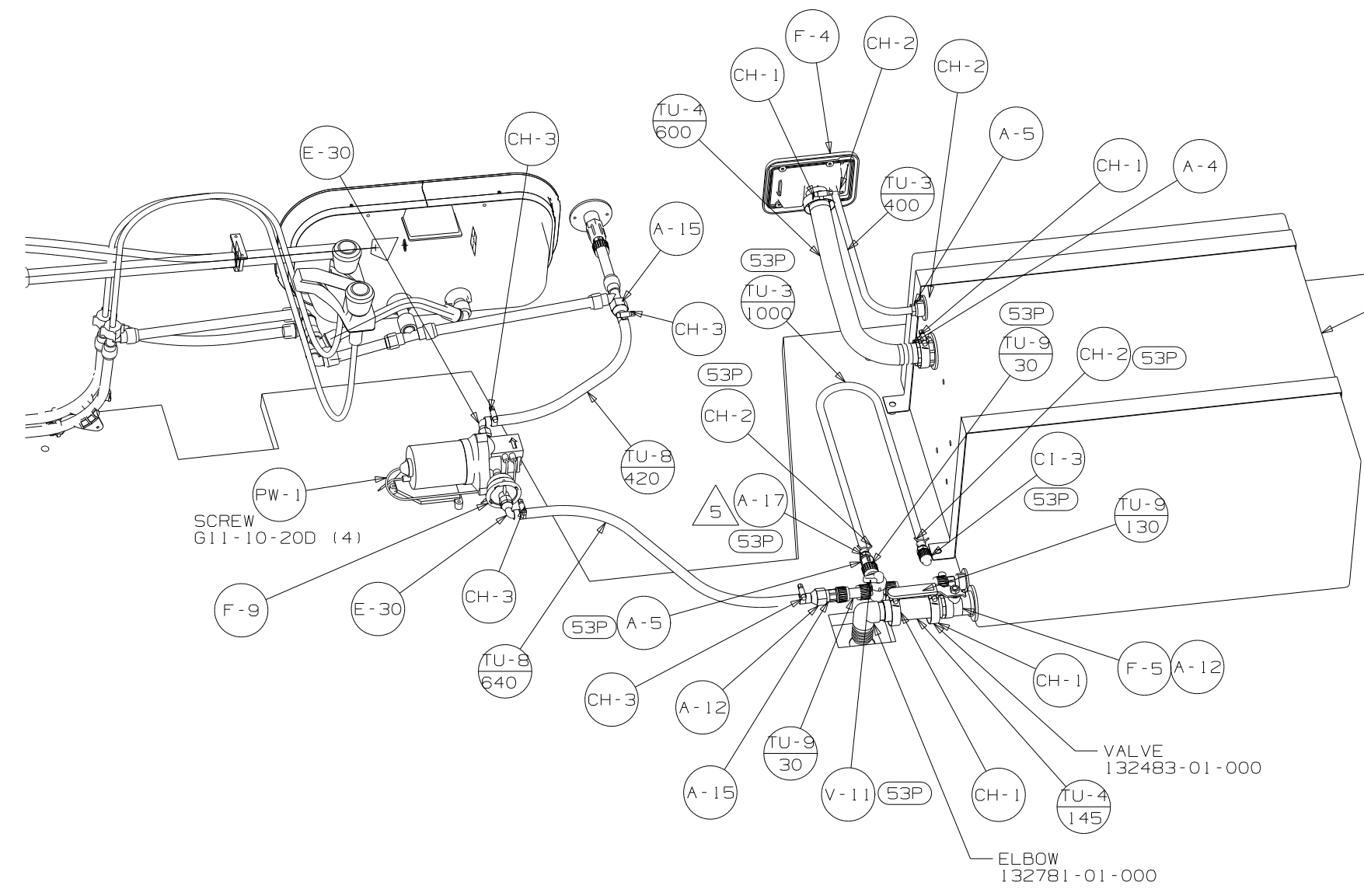
FAUCET  
104114-05-CHT  
GASKET  
91253-01-000  
SPACER-FAUCET  
137079-02-01A

FAUCET  
79527-01-CHT  
GASKET  
91253-01-000



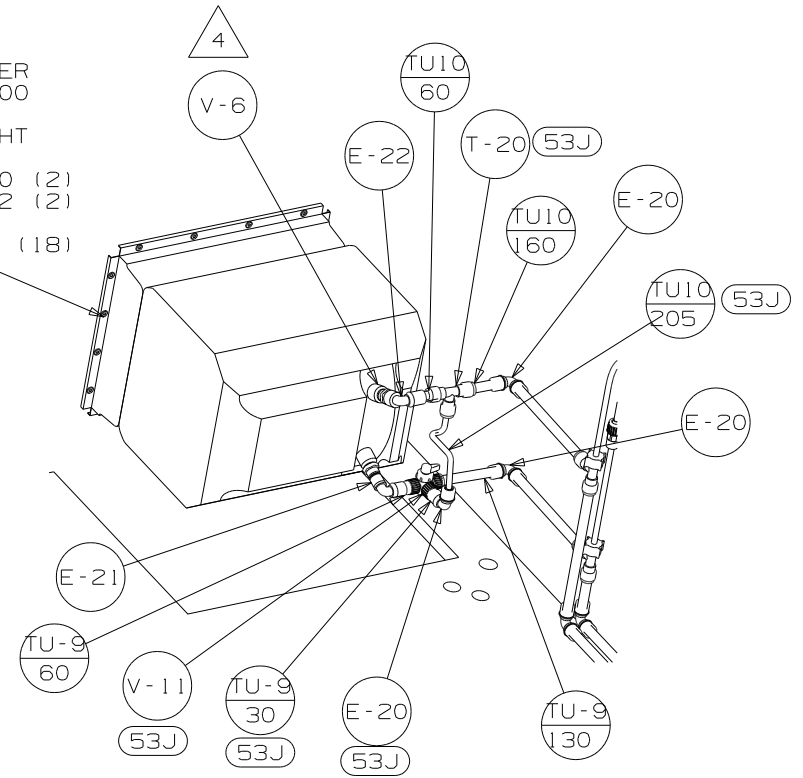
VIEW A

|            |                      |
|------------|----------------------|
| FIRST USED | 03 322E              |
| TITLE      | DO NOT SCALE DRAWING |
| TITLE      | WATER SYSTEM INSTL   |
| SHEET 2    | PART NO 143279       |



- TANK - WATER
- 109606-06-000
- STRAP
- 118994-07-000 (2)
- BOLT
- C18-05-40A (4)
- NUT
- D39-05-00B (4)

- (53F) WATER HEATER
- 51391-03-000
- DOOR
- 78506-01-CHT
- AL EXTR
- 2726-01-210 (2)
- 2726-01-212 (2)
- SCREW
- G39-10-169 (18)
- SEALANT



VIEW B

VIEW C

|                      |                    |
|----------------------|--------------------|
| FIRST USED           | 03 322E            |
| DO NOT SCALE DRAWING |                    |
| TITLE:               | WATER SYSTEM INSTL |
| SHEET 3              | PART NO 143279     |