



**DANGER**

**Danger of electrical shock, burns or death.** Always remove all power sources before attempting any repair, service or diagnostic work. Power can be present from shore power, generator, inverter or battery. All power sources must be disabled and secured before performing any service.



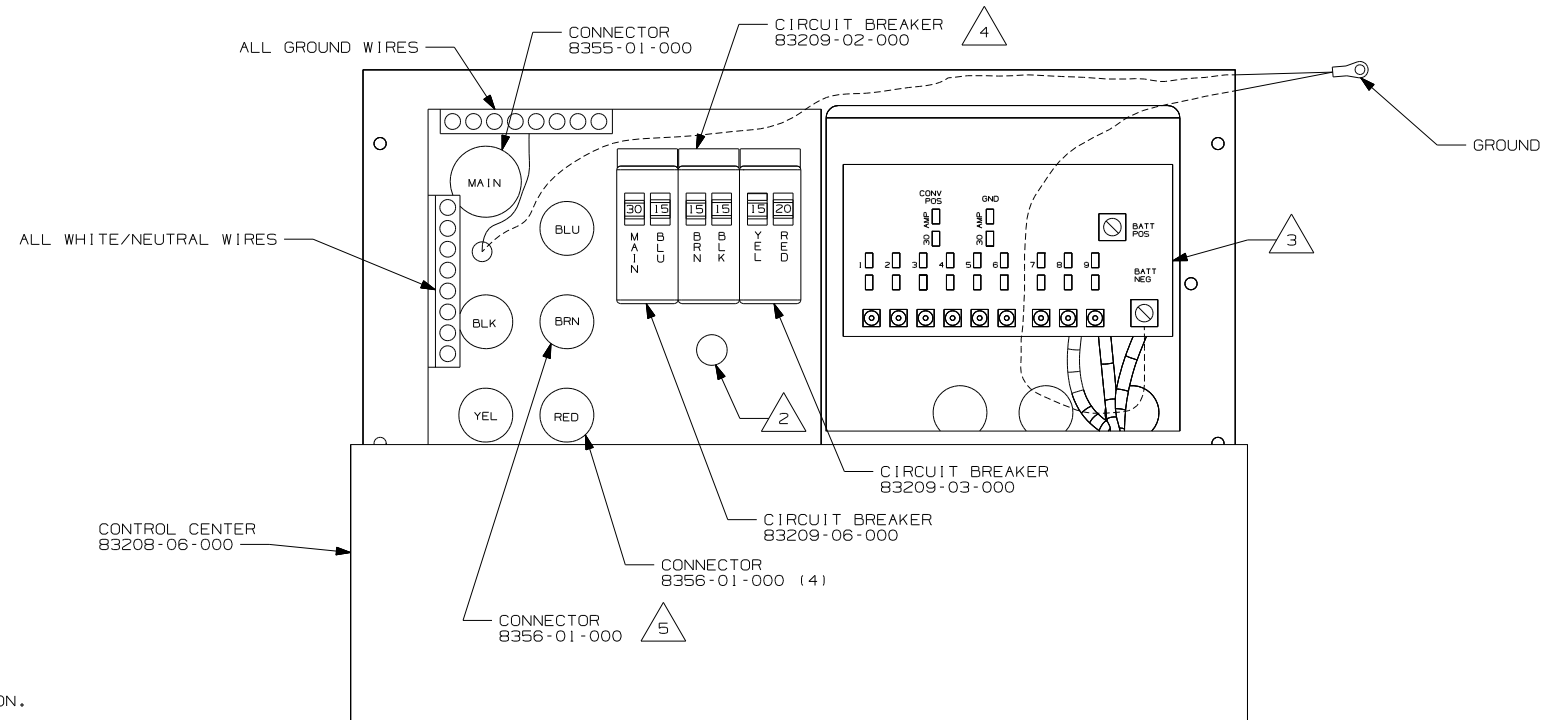
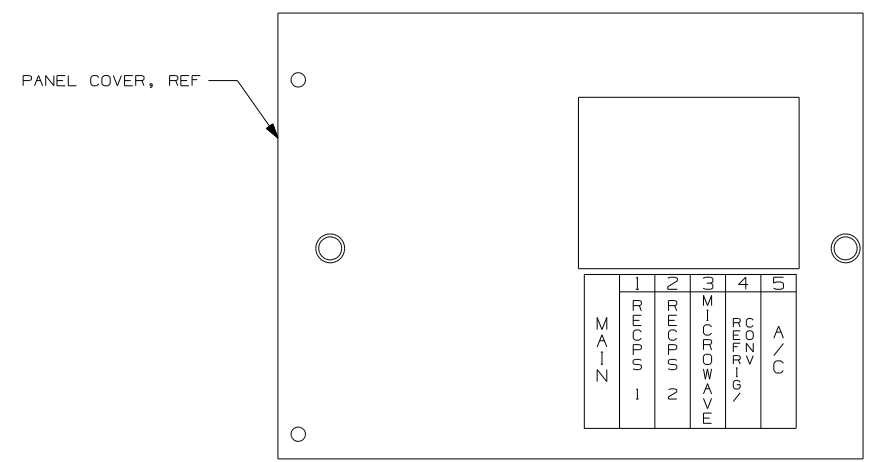
**CAUTION**

If you lack the skills, tools or equipment to perform diagnostic or repair work leave such work to an authorized Winnebago Industries dealer or other qualified shop.

	8	7	6	5	4	3	2	1
		322E	322R	324F	324V	329B	331C	331T
RED	12-UL	X	X	X	X	X	136135-07-058	136135-07-058
	12-CA	X	X	X	X	X	136136-07-058	136135-07-058
YEL	14-UL	X	X	X	X	X	136131-05-025	136131-05-025
	14-CA	X	X	X	X	X	136134-05-025	136134-05-025
BLK	14-UL	X	X	X	X	X	136131-06-023	136131-06-051
	14-CA	X	X	X	X	X	136134-06-023	136134-06-051
BRN	14-UL	X	X	X	X	X	136131-03-090	N/A
	14-CA	X	X	X	X	X	136134-03-090	N/A
	14-UL	X	X	X	X	X	N/A	136131-03-090
	14-CA	X	X	X	X	X	N/A	136134-03-090
	14-UL	X	X	X	X	X	136131-03-112	136131-03-112
	14-CA	X	X	X	X	X	136134-03-112	136134-03-112
BLU	14-UL	X	X	X	X	X	136131-02-187	136131-02-195
	14-CA	X	X	X	X	X	136134-02-187	136134-02-195
MAIN	10-UL	X	X	X	X	X	136137-01-070	136137-01-060
	10-CA	X	X	X	X	X	136138-01-070	136138-01-060
MAIN	10-UL	X	X	X	X	X	136137-01-080	N/A
	10-CA	X	X	X	X	X	136138-01-080	N/A
GROUND	8-G	136145-02-022	136145-02-023	136145-02-020	136145-02-016	136145-02-020	136145-02-022	136145-02-022
WIRE ASM 110V US		143370-01-000	143602-01-000	141966-01-000	142933-01-000	142680-01-000	X	X
WIRE ASM 110V CA		143370-02-000	143602-02-000	141966-02-000	142933-02-000	142680-02-000	X	X
GENERATOR CABLE ASM	UL	X	X	136137-01-036	136137-01-020	136137-01-025	X	X
	CA	X	X	136138-01-036	136138-01-020	136138-01-025	X	X

RELEASE REV DATE A  
 REV ZONE REVISION RECORD DATE DFTR-ORIG  
 DWG NO 141629

- (49X)
- (49X)
- (44X)
- (44X)
- (45G)
- (45G)
- (45G)
- (45G)
- (40N)
- (40N)



- (40N) GEN-4.0KW-ONANGAS-MICROQUIET
- (49X) BED-QUEEN, BACKWALL
- (45G) BED-TWINS
- (44X) BED-QUEEN, SIDEWALL
- (265) CODES/STANDARDS-CSA/CMVSS
- (1B1) CODES/STANDARDS USA
- (1B1) (265)

- (5) NOT USED WITH 322R
- (4) FOR 322R USE CIRCUIT BREAKER 83209-01-000
- (3) SEE WIRING INSLT-BODY, 12V FOR ADDITIONAL INFORMATION.
- (2) SECURE WIRES TO BACKSIDE OF LOAD CENTER WITH WIRE TIE 116673-01-000.

1. ALL GROUNDS WIRES TO BE COVERED WITH TUBING 8041-02-000.  
 NOTES:

(X-X) FOR ELECTRICAL CALLOUTS SEE DWG NO. 121339-01-000

**WINNEBAGO**

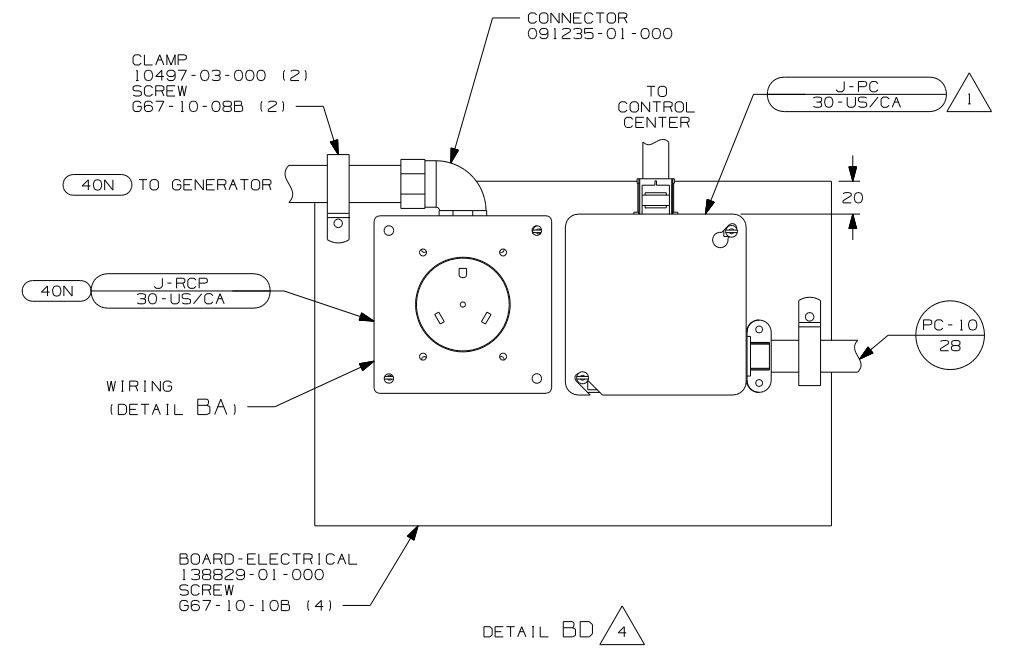
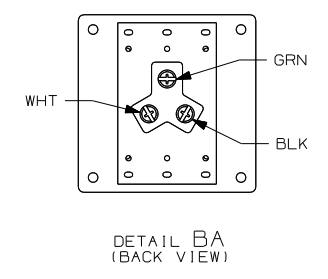
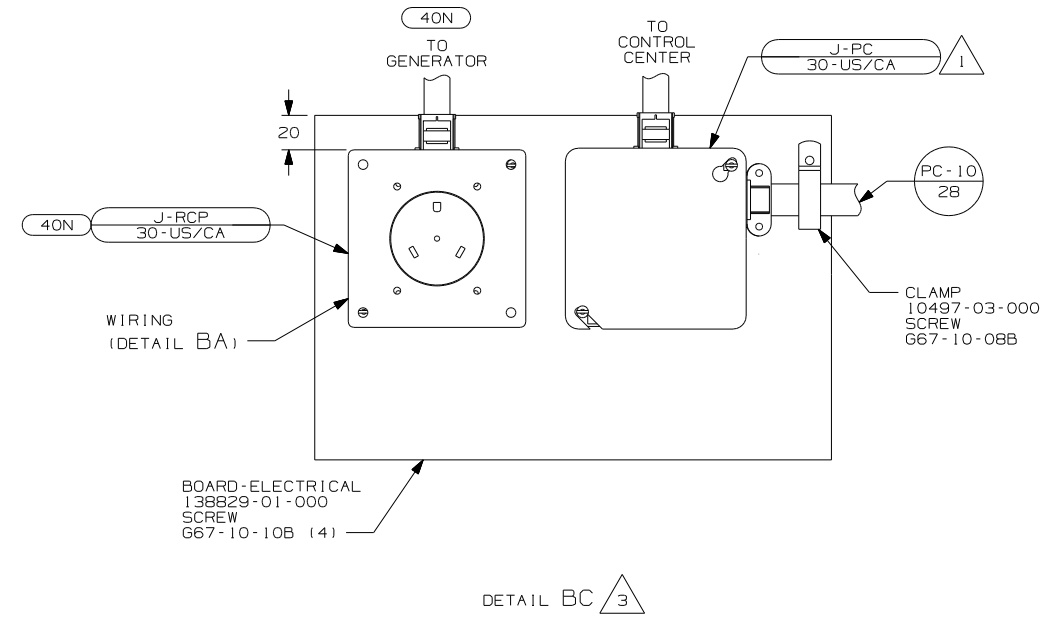
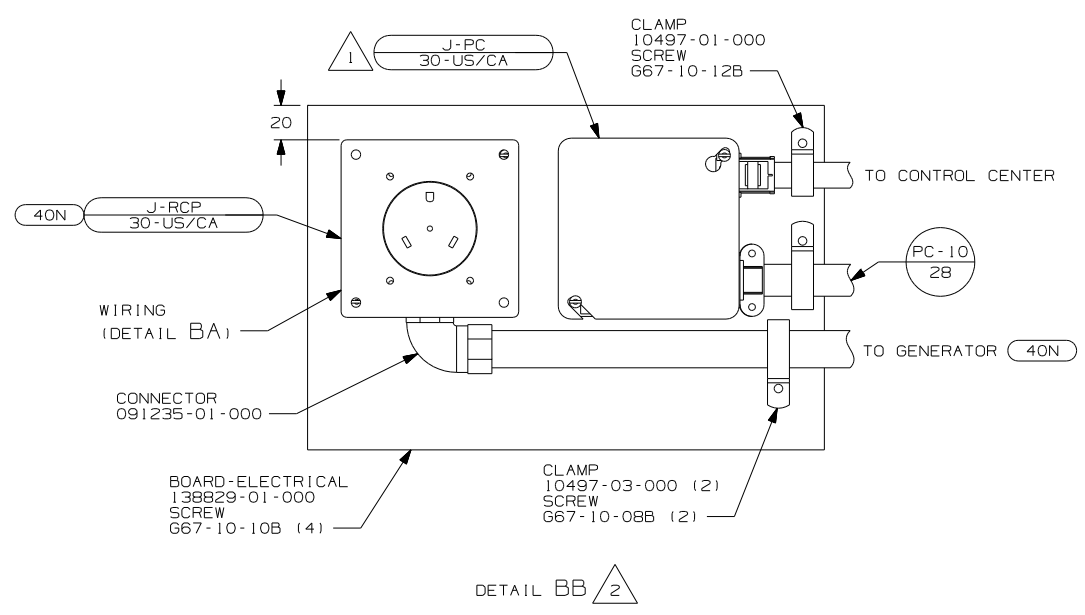
DFTR	ORIG. DATE
CHKR	ALL DIMENSIONS ARE IN MILLIMETERS
P.E.	
M.E.	FIRST USED
DSNR	03 300-SER
UNSPECIFIED TOLERANCES ARE:	
WHOLE DIM (X)	MATERIAL:
ONE-PLACE (X.X)	
TWO-PLACE (X.XX)	
ANGLE	
THIRD ANGLE PROJECTION	

DO NOT SCALE DRAWING

TITLE: LOAD CENTER/ATS ASM

SHEET 1 OF 2 PART NO 141629

REF: 1 04/23/03



- NOTES:
- 4 USED WITH 329B
  - 3 USED WITH 322R, 322E, 324V, 331T, 331C
  - 2 USED WITH 324F, 331C & 331T.
  - 1 CONNECT BLK TO BLK, WHT TO WHT, AND GRNDS TO GRNDS.

FOR ELECTRICAL TORQUE SPECIFICATIONS SEE DWG NO. 128783-01-000

FOR ELECTRICAL CALLOUTS SEE DWG NO. 121339-01-000

- 40N GEN-4.0KW-ONAN-GAS-MICROLITE
- 265 CODES/STANDARDS-CSA/CMVSS
- 1B1 CODES/STANDARDS USA

FIRST USED	03 300-SER
TITLE	DO NOT SCALE DRAWING
TITLE	LOAD CENTER/ATS ASM
SHEET 2	PART NO 141629