



DANGER

Danger of electrical shock, burns or death. Always remove all power sources before attempting any repair, service or diagnostic work. Power can be present from shore power, generator, inverter or battery. All power sources must be disabled and secured before performing any service.



CAUTION

If you lack the skills, tools or equipment to perform diagnostic or repair work leave such work to an authorized Winnebago Industries dealer or other qualified shop.

LAMP-MARKER
 BASE, SIDEWALL
 111102-01-000
 LENS-MARKER, RED
 111102-03-000
 SCREW
 G11-08-12T (EXT) (2)
 CONNECTOR
 58028-01-000 (2)

LEXT-1 (1B1)
 LEXT-2CA (265)

LAMP-MARKER
 BASE, SIDEWALL
 111102-01-000
 LENS-MARKER, AMBER
 111102-02-000
 SCREW
 G11-08-12T (EXT) (2)
 CONNECTOR
 58028-01-000 (2)

LAMP-MARKER
 BASE, SIDEWALL
 111102-01-000
 LENS-MARKER, RED
 111103-03-000
 SCREW
 G11-08-12T (EXT) (2)
 CONNECTOR
 58028-01-000 (2)

LAMP-MARKER
 BASE, SIDEWALL
 111102-01-000
 LENS-MARKER, AMBER
 111102-02-000
 SCREW
 G11-08-12T (EXT) (2)
 CONNECTOR
 58028-01-000 (2)

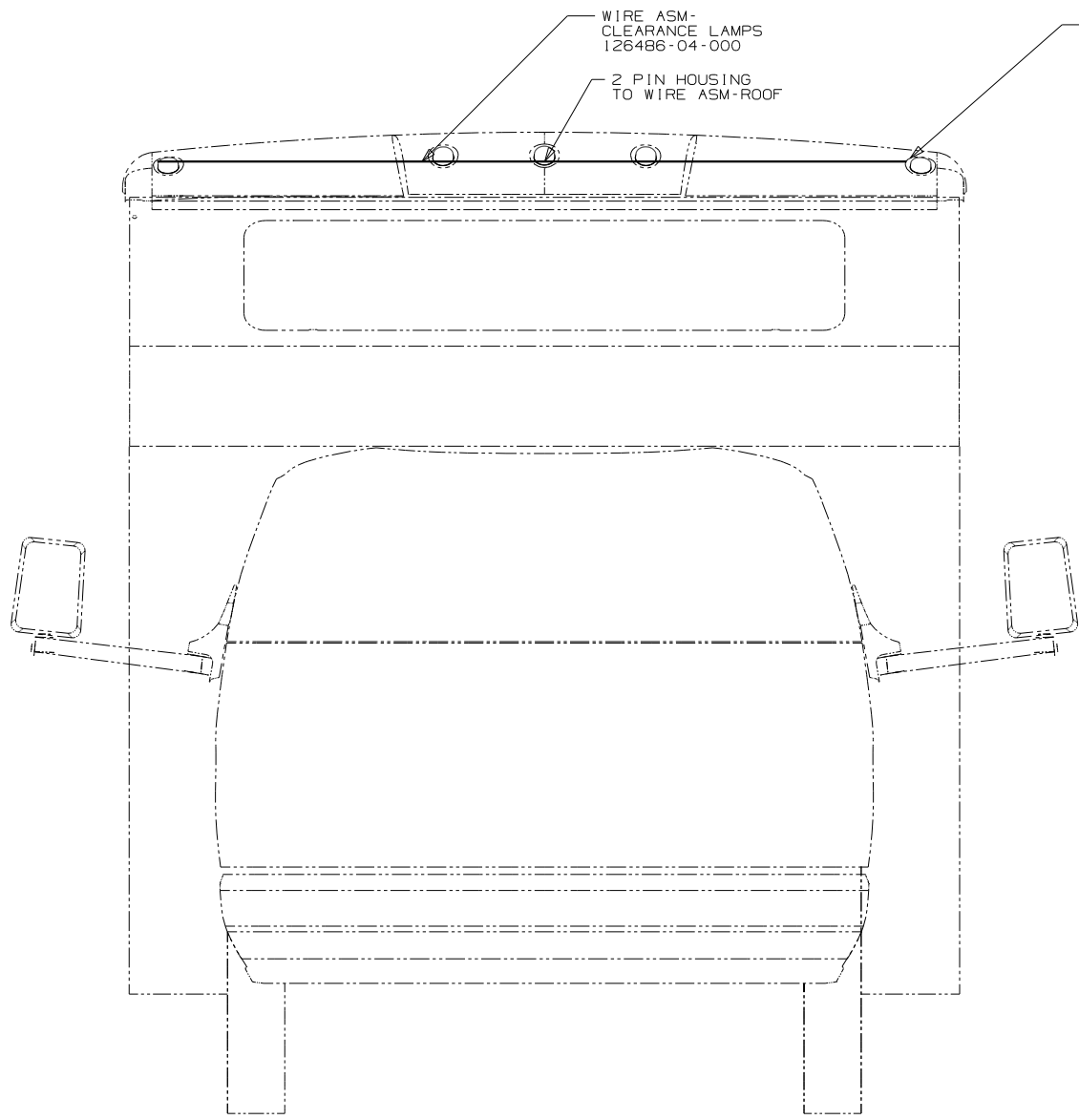
(265) CODES/STANDARDS-CSA/CMVSS
 (1B1) CODES STANDARDS/USA

FOR ELECTRICAL
 TORQUE
 SPECIFICATIONS
 SEE DWG NO.
 128783-01-000

(X-X)
 FOR
 ELECTRICAL
 CALLOUTS
 SEE DWG NO.
 121339-01-000

- NOTES:
- 3. ON 329B, COVER WIRES WITH TAPE 8363-01-000 AFTER CONNECTIONS ARE MADE. COVER ALL OF WIRE THAT IS EXPOSED ON THE OUTSIDE OF THE SIDEWALL
 - 2. USED ONLY WITH 331C AND 331T.
 - 1. INSTALL WITH WIRES TOWARD ROOF.

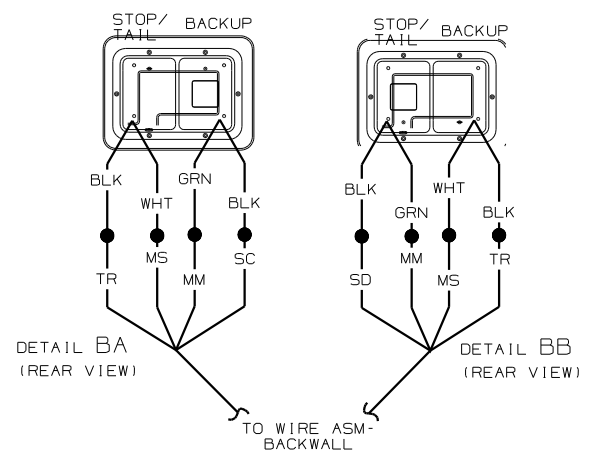
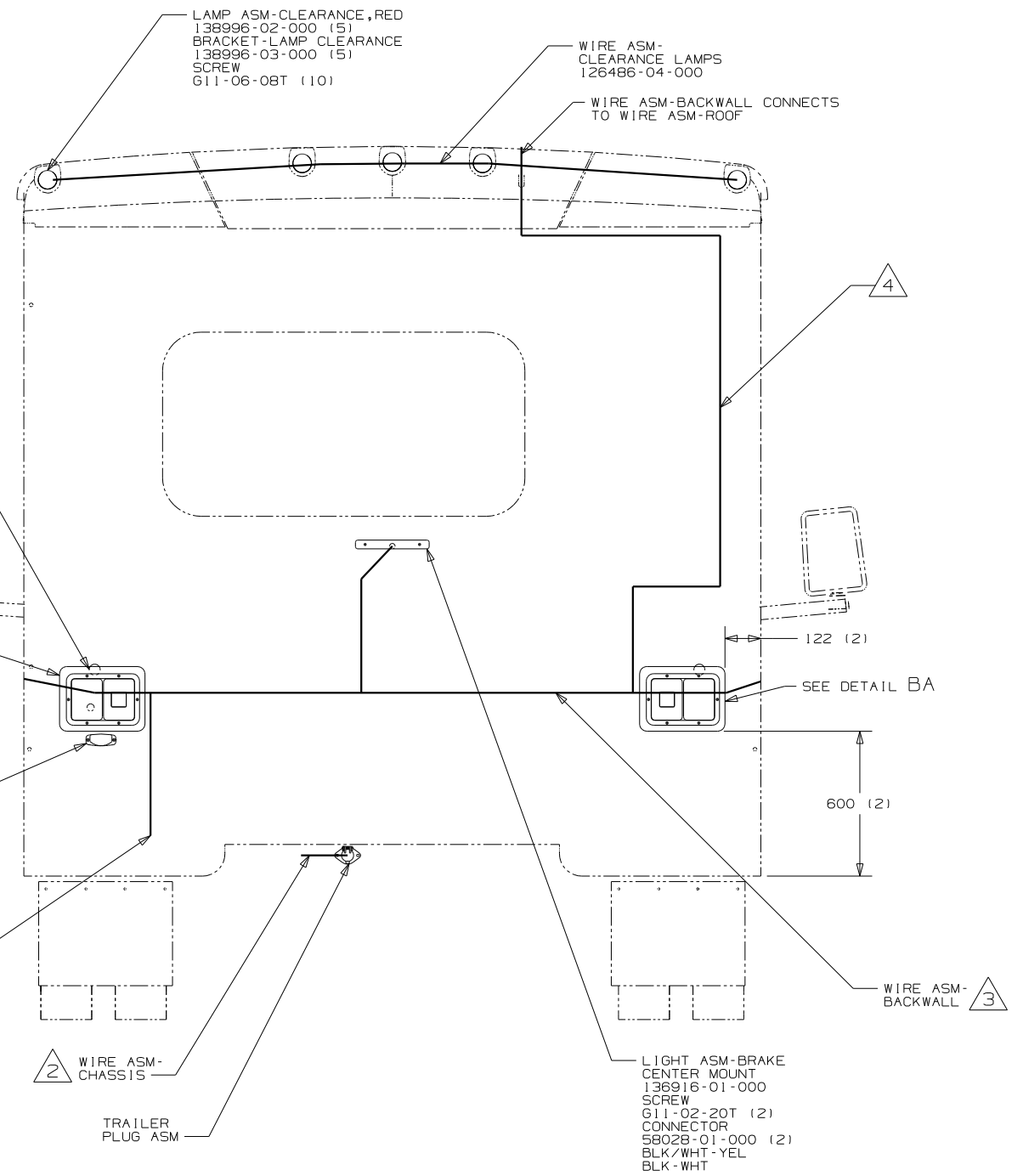
WINNEBAGO		COPYRIGHT 2003 WINNEBAGO INDUSTRIES, INC.	
DFTR	ORIG. DATE		
CHKR	ALL DIMENSIONS ARE IN MILLIMETERS		
P.E.	FIRST USED		
M.E.	03 300 SERIES		
DSNR			
UNSPECIFIED TOLERANCES ARE:		MATERIALS:	
WHOLE DIM (X)	: 1	<input checked="" type="checkbox"/>	
ONE-PLACE (X,X)	: 1.5	<input checked="" type="checkbox"/>	
TWO-PLACE (X,XX)	: 0.50	<input checked="" type="checkbox"/>	
ANGLE	: 1°	<input checked="" type="checkbox"/>	
THIRD ANGLE PROJECTION	<input checked="" type="checkbox"/>	<input type="checkbox"/>	
DO NOT SCALE DRAWING			
TITLE: WIRING INSTL-EXT LAMPS			
SHEET 1 OF 1	PART NO	141602	
REF:		1 02/28/03	



- TAILLAMP ASM-8163B-01-000 (2)
- SCREW G11-08-12T (16)
- POD TAILLAMP 103355-02-CHT
- SCREW G67-10-129 (8)
- CONNECTOR 5802B-01-000 (8)
- SEALER-TAPE 6964-21-000 (3,4)

- BRACKET-LICENSE 66432-03-000
- SCREW G67-10-129 (2)
- LIGHT-LICENSE 66432-02-000
- SCREW G39-08-12T (EXT) (2)
- CONNECTOR 5802B-01-000 (2)

6 PIN HOUSING TO WIRE ASM-TAILLAMP EXTENSION



- 4 ON 324V WIRE ASSEMBLY RUNS ON LEFT SIDE OF BACKWALL.
 - 3 LOCATED IN BACKWALL ASSEMBLY.
 - 2 SECURE WIRE BELOW COACH WITH CLAMP 10495-01-000 AND SCREW G67-10-12B.
- 1 CONNECTOR-PLUG, TRAILER 113589-01-000 TO BE SUPPLIED LOOSE IN COACH WITH TRAILER TOW PACKAGE.
- NOTES:

265 CODES/STANDARDS-CSA/CMVSS
1B1 CODES STANDARDS/USA

FOR ELECTRICAL TORQUE SPECIFICATIONS SEE DWG NO. 128783-01-000

FOR ELECTRICAL CALLOUTS SEE DWG NO. 121339-01-000

FIRST USED	03 300 SERIES
TITLE	DO NOT SCALE DRAWING
TITLE	WIRING INSTL-EXT LAMPS
SHEET 2	PART NO 141602