



DANGER

Danger of electrical shock, burns or death. Always remove all power sources before attempting any repair, service or diagnostic work. Power can be present from shore power, generator, inverter or battery. All power sources must be disabled and secured before performing any service.

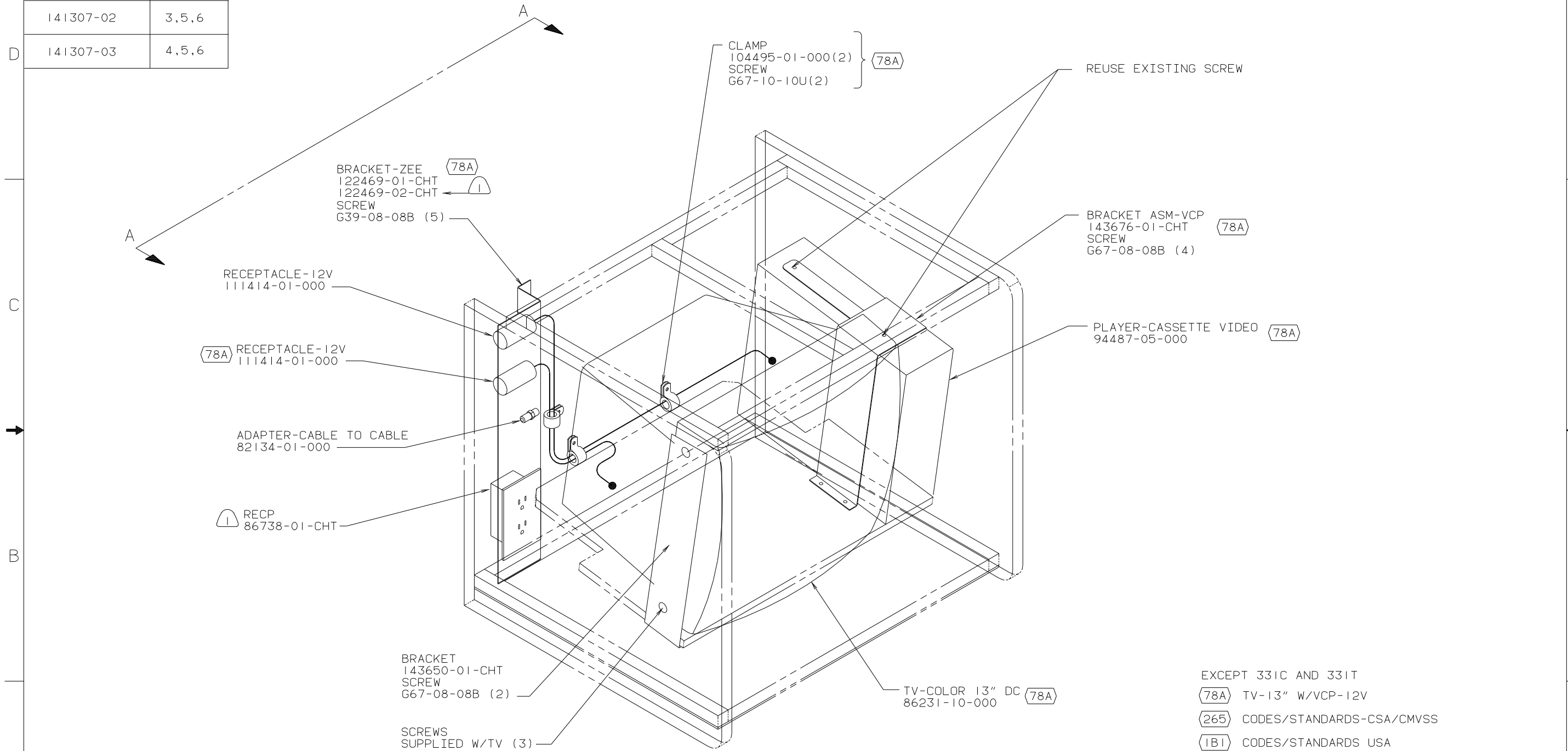


CAUTION

If you lack the skills, tools or equipment to perform diagnostic or repair work leave such work to an authorized Winnebago Industries dealer or other qualified shop.

DWG NO.	SHEET
141307-01	1 & 2
141307-02	3,5,6
141307-03	4,5,6

RELEASE	REV	DATE	DFTR	ADM	DWG NO	141307
REV ZONE	REVISION RECORD			DATE	DFTR-ORIG	



(78A) RECEPTACLE-12V
111414-01-000

(I) RECP
86738-01-CHT

ADAPTER-CABLE TO CABLE
82134-01-000

BRACKET-ZEE (78A)
122469-01-CHT
122469-02-CHT
SCREW
G39-08-08B (5)

BRACKET
143650-01-CHT
SCREW
G67-08-08B (2)

SCREWS
SUPPLIED W/TV (3)

CLAMP
104495-01-000(2) (78A)
SCREW
G67-10-10U(2)

REUSE EXISTING SCREW

BRACKET ASM-VCP (78A)
143676-01-CHT
SCREW
G67-08-08B (4)

PLAYER-CASSETTE VIDEO (78A)
94487-05-000

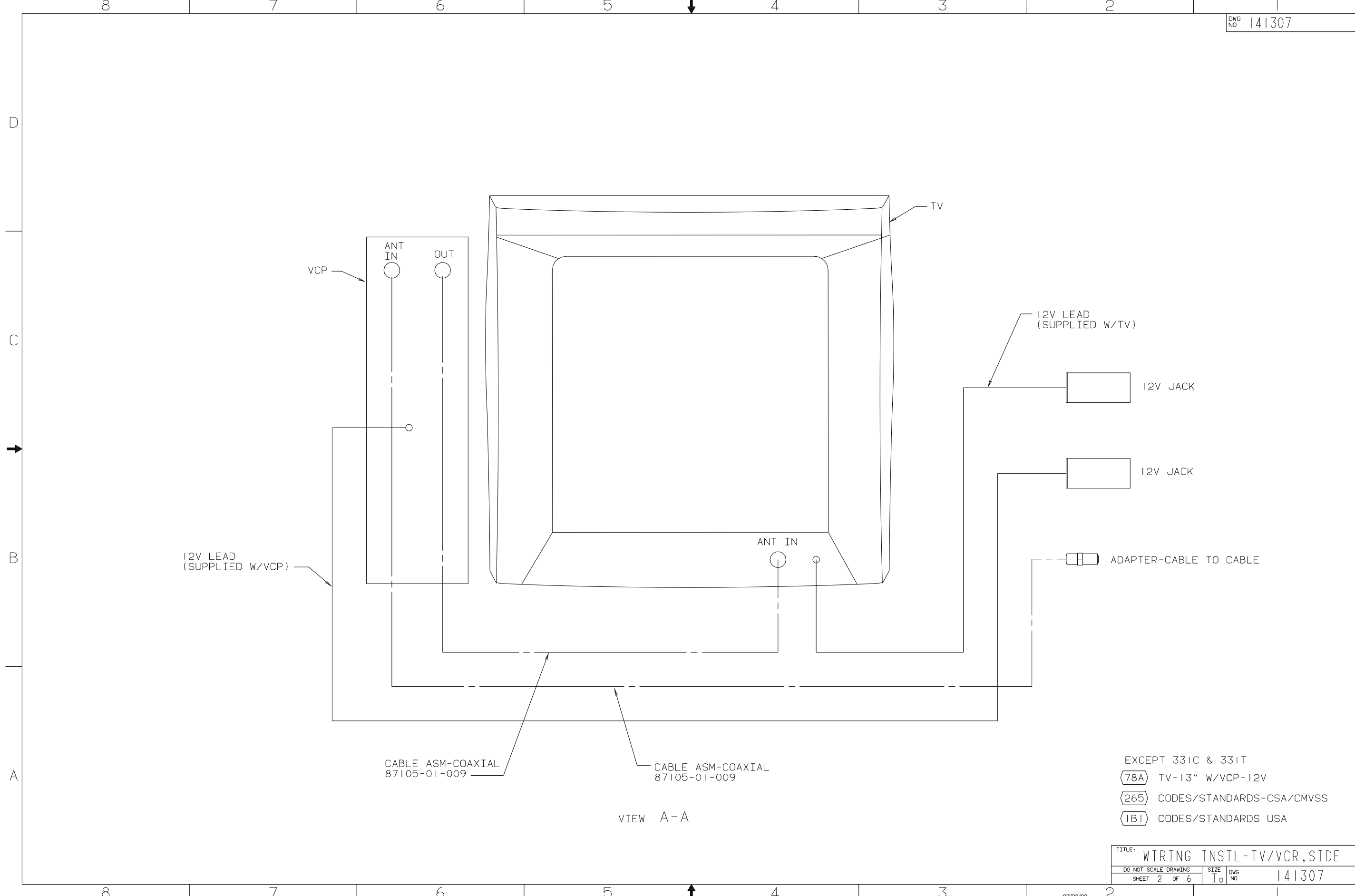
TV-COLOR 13" DC (78A)
86231-10-000

- EXCEPT 331C AND 331T
- (78A) TV-13" W/VCP-12V
- (265) CODES/STANDARDS-CSA/CMVSS
- (I) CODES/STANDARDS USA

(I) NOT USED WITH (78A)

NOTES:

COPYRIGHT 2002 WINNEBAGO INDUSTRIES, INC.		WINNEBAGO		03 C-BODY	
DFTR	DATE	UNSPECIFIED TOLERANCES ARE:	MATERIAL:		
CHKR	DATE	WHOLE DIM (X)	±		
P E	DATE	ONE-PLACE (X.X)	±		
M E	DATE	TWO-PLACE (X.XX)	±		
DSNR	DATE	ANGLE	±		
	DATE	THIRD ANGLE PROJECTION	☉		
LAYOUT NO	TITLE:		WIRING INSTL-TV/VCR, SIDE		
DIA Ø	SCALE: NONE	DO NOT SCALE DRAWING	SIZE	DWG NO	141307
ALL DIMENSIONS ARE IN MILLIMETERS		SHEET 1 OF 6	I D		
07/23/02		2	REF: 137743-F		



VCP ANT IN ANT OUT

TV

12V LEAD (SUPPLIED W/TV)

12V JACK

12V JACK

12V LEAD (SUPPLIED W/VCP)

ANT IN

ADAPTER-CABLE TO CABLE

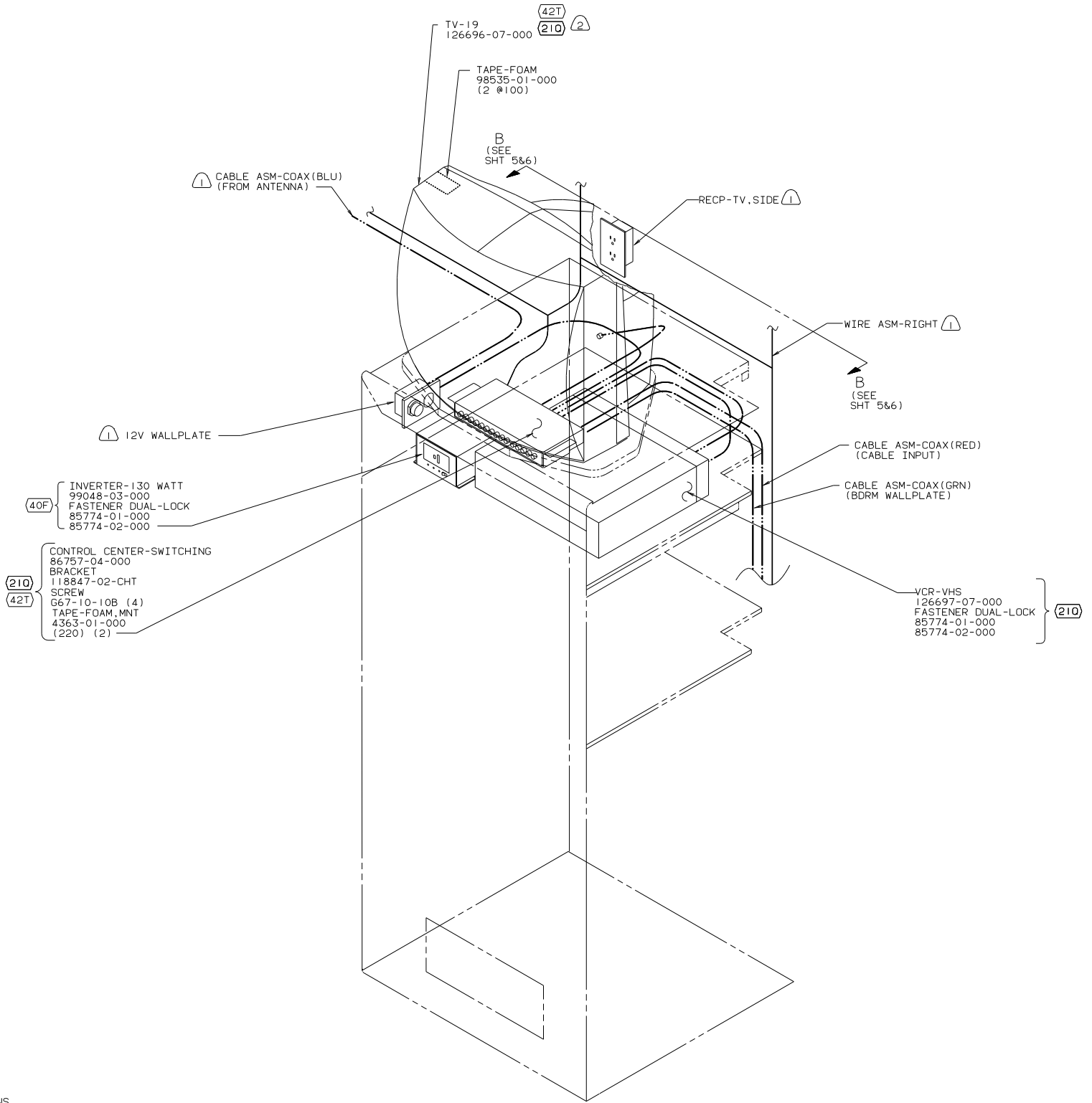
CABLE ASM-COAXIAL 87105-01-009

CABLE ASM-COAXIAL 87105-01-009

VIEW A-A

- EXCEPT 331C & 331T
- (78A) TV-13" W/VCP-12V
- (265) CODES/STANDARDS-CSA/CMVSS
- (1B1) CODES/STANDARDS USA

TITLE: WIRING INSTL-TV/VCR, SIDE			
DO NOT SCALE DRAWING	SIZE I _D	DWG NO	141307
SHEET 2 OF 6			



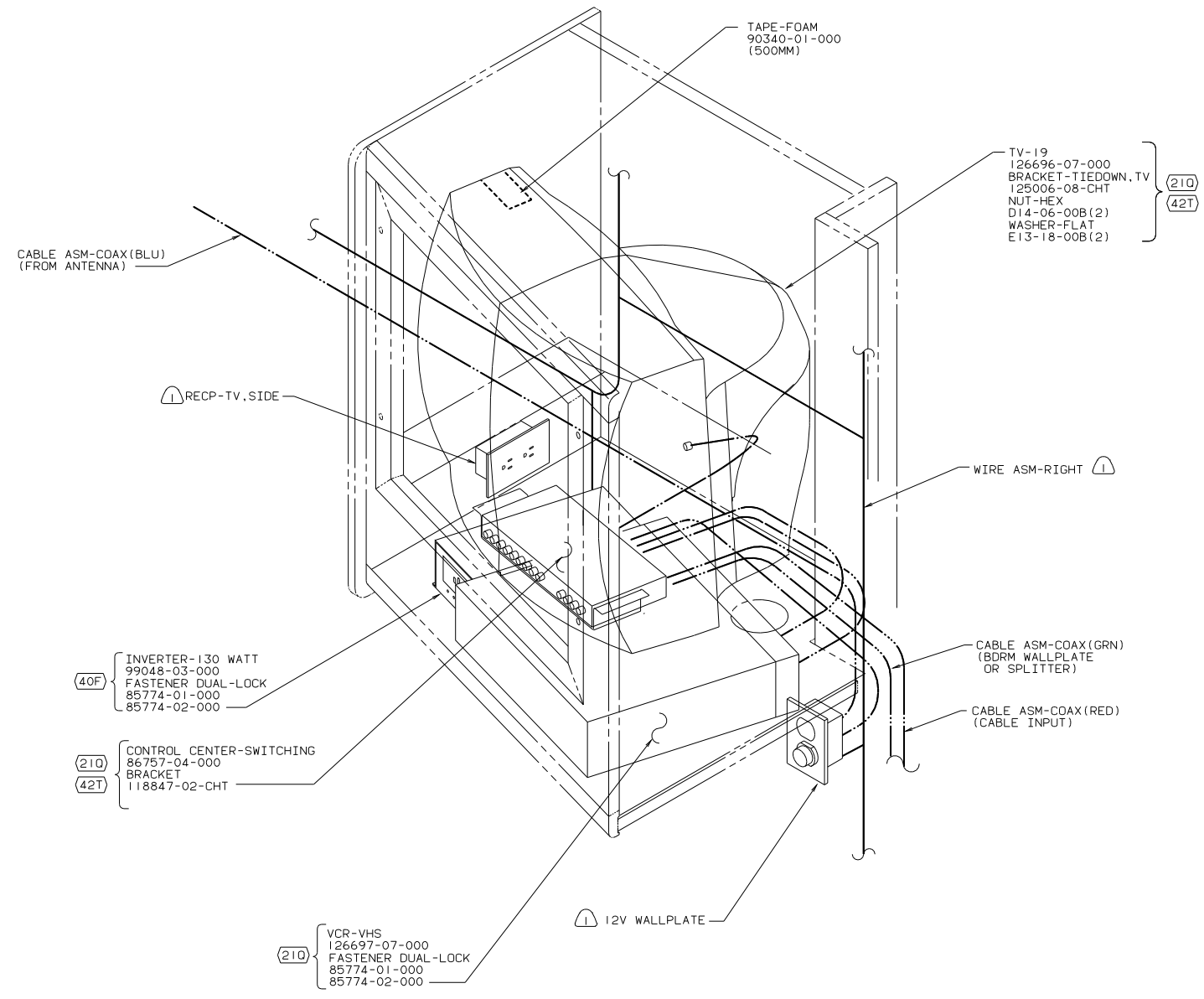
- (40F) INVERTER-130 WATT
99048-03-000
FASTENER DUAL-LOCK
85774-01-000
85774-02-000
- (210) CONTROL CENTER-SWITCHING
86757-04-000
BRACKET
118847-02-CHT
SCREW
G67-10-10B (4)
TAPE-FOAM,MNT
4363-01-000
(220) (2)
- (42T) TAPE-FOAM
98535-01-000
(2 @100)

- (210) VCR-VHS
126697-07-000
FASTENER DUAL-LOCK
85774-01-000
85774-02-000

(2) SEE CABINET ASM-SHELF-TV FOR TIEDOWNS.
 (1) SEE WIRING INSTL-BODY FOR ADDITIONAL INFORMATION.

331C SIDE ENTERTAINMENT CENTER
 (42T) TV-19" FRONT W/VIDEO SEL
 (40F) INVERTER-DC/AC-130W
 (265) CODES/STANDARDS-CSA/CMVSS
 (210) TV-19" W/VCR/VIDEO SELECTION
 (1B1) CODES/STANDARDS USA

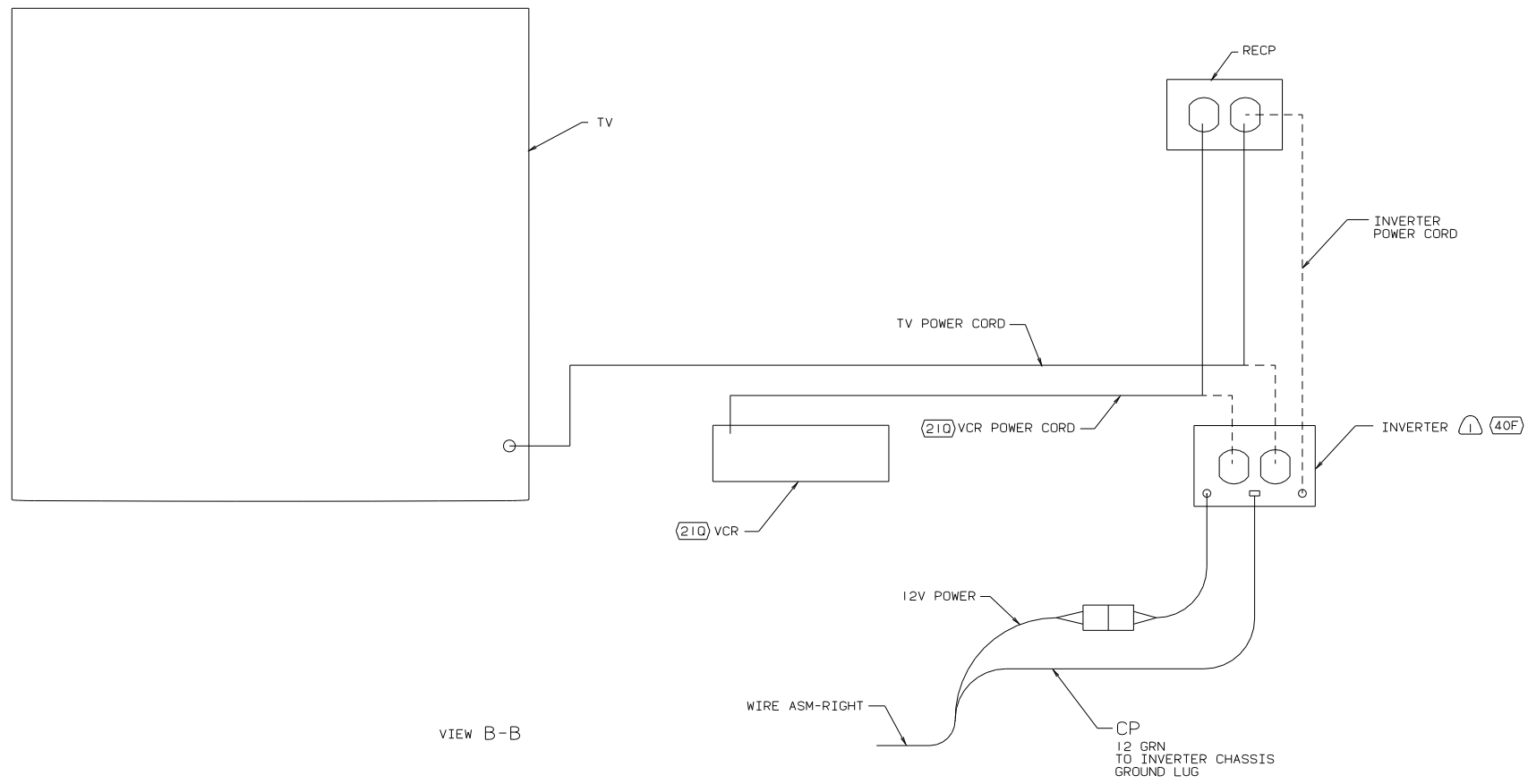
TITLE		WIRING INSTL-TV/VCR.SIDE	
DO NOT SCALE DRAWING	SIZE	DWG NO	141307
SHEET 3 OF 6	1E		



(I) SEE WIRING INSTL-BODY FOR ADDITIONAL INFORMATION.

- 331T SIDE ENTERTAINMENT CENTER
- (42T) TV-19" FRONT W/VIDEO SEL
 - (40F) INVERTER-DC/AC-130W
 - (265) CODES/STANDARDS-CSA/CMVSS
 - (210) TV-19" W/VCR/VIDEO SELECTION
 - (1B1) CODES/STANDARDS USA

TITLE: WIRING INSTL-TV/VCR, SIDE	
DO NOT SCALE DRAWING	SIZE: I.e
SHEET 4 OF 6	DWG NO 141307
07/23/02	

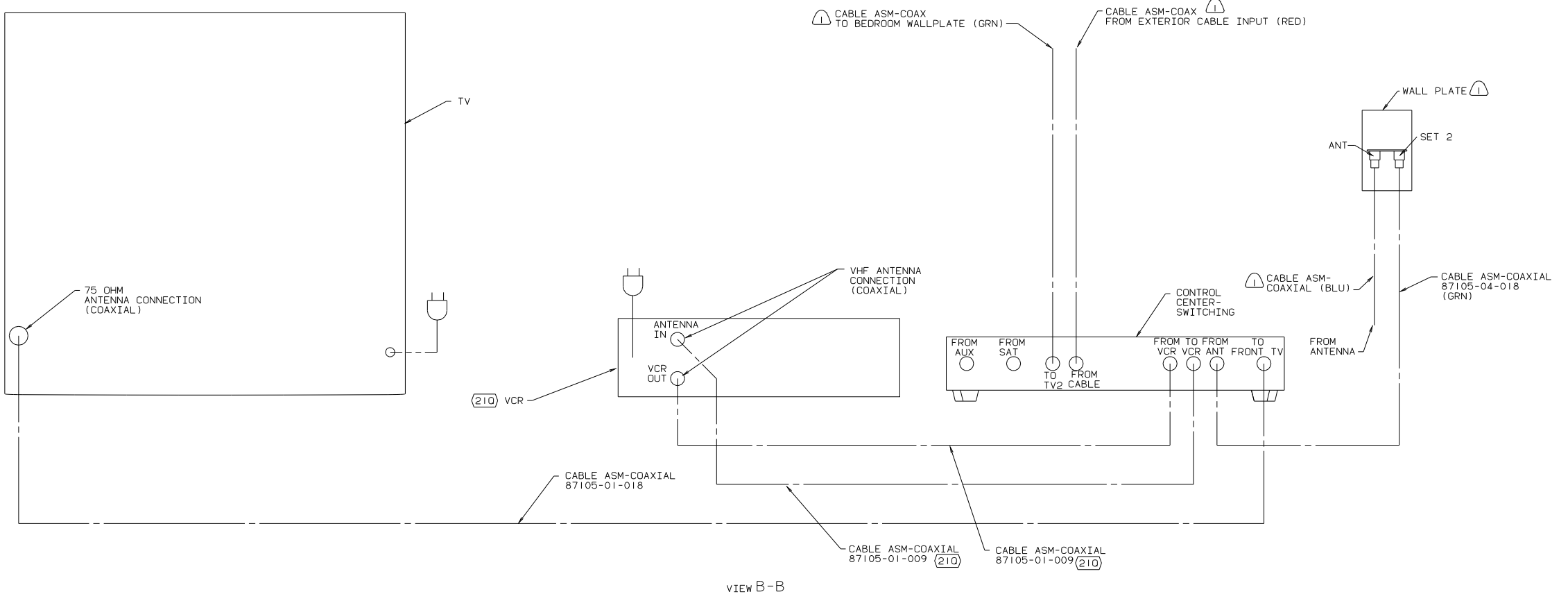


VIEW B-B

- 331C & 331T
110V AND 12V
- (42T) TV-19" FRONT W/VIDEO SEL
- (40F) INVERTER-DC/AC-130W
- (265) CODES/STANDARDS-CSA/CMVSS
- (210) TV-19" W/VCR/VIDEO SELECTION
- (1B1) CODES/STANDARDS USA

(1) WITH (40F), PLUG TV OR (TV AND VCR) INTO INVERTER. PLUG INVERTER INTO RECP-ENTERTAINMENT CTR.

TITLE: WIRE INSTL-TV/VCR, SIDE	
DO NOT SCALE DRAWING	SIZE
SHEET 5 OF 6	DWG NO 141307
07/23/02	



01 331C & 331T
 COAX CONNECTION
 (42T) TV-19" FRONT W/VIDEO SEL
 (265) CODES/STANDARDS-CSA/CMVSS
 (210) TV-19" W/VCR/VIDEO SELECTION
 (1B1) CODES/STANDARDS USA

NOTES:
 (1) SEE WIRING INSTL-BODY FOR ADDITIONAL INFORMATION.