



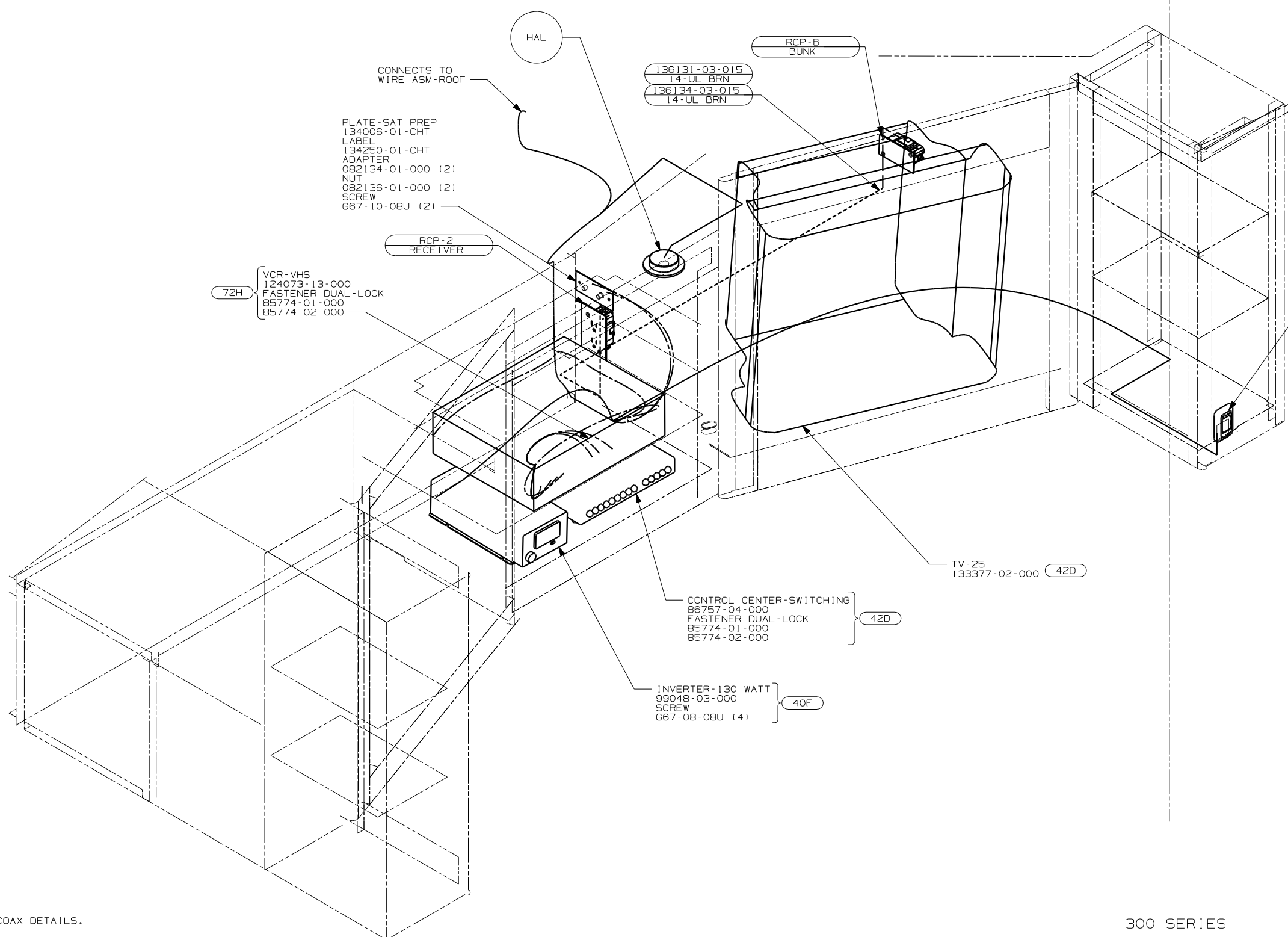
DANGER

Danger of electrical shock, burns or death. Always remove all power sources before attempting any repair, service or diagnostic work. Power can be present from shore power, generator, inverter or battery. All power sources must be disabled and secured before performing any service.



CAUTION

If you lack the skills, tools or equipment to perform diagnostic or repair work leave such work to an authorized Winnebago Industries dealer or other qualified shop.



CONNECTS TO WIRE ASM-ROOF

PLATE-SAT PREP
134006-01-CHT
LABEL
134250-01-CHT
ADAPTER
082134-01-000 (2)
NUT
082136-01-000 (2)
SCREW
667-10-08U (2)

136131-03-015
14-UL BRN
136134-03-015
14-UL BRN

72H
VCR-VHS
124073-13-000
FASTENER DUAL-LOCK
85774-01-000
85774-02-000

RCP-2
RECEIVER

CONTROL CENTER-SWITCHING
86757-04-000
FASTENER DUAL-LOCK
85774-01-000
85774-02-000

INVERTER-130 WATT
99048-03-000
SCREW
667-08-08U (4)

TV-25
133377-02-000 42D

SWITCH-ROCKER
135740-01-CHT
SWITCH-BASE
135741-01-CHT
SWITCH-BEZEL
135742-07-CHT
SCREW
611-08-08U (2)

- 72H VCR
- 42D TV-25" W/VIDEO SELECTION SYS
- 40F INVERTER-DC/AC-130 WATT
- 265 CODES/STANDARDS-CSA/CMVSS
- 1B1 CODES/STANDARDS USA

1B1 265

WINNEBAGO.

| | |
|-----------------------------|-----------------------------------|
| DFTR | ORIG. DATE |
| CHKR | ALL DIMENSIONS ARE IN MILLIMETERS |
| P.E. | |
| M.E. | FIRST USED |
| DSNR | 300/400 SER |
| UNSPECIFIED TOLERANCES ARE: | MATERIAL: |
| WHOLE DIM (X) : | |
| ONE-PLACE (X.X) : | |
| TWO-PLACE (X.XX) : | |
| ANGLE : | |
| THIRD ANGLE PROJECTION | |

DO NOT SCALE DRAWING

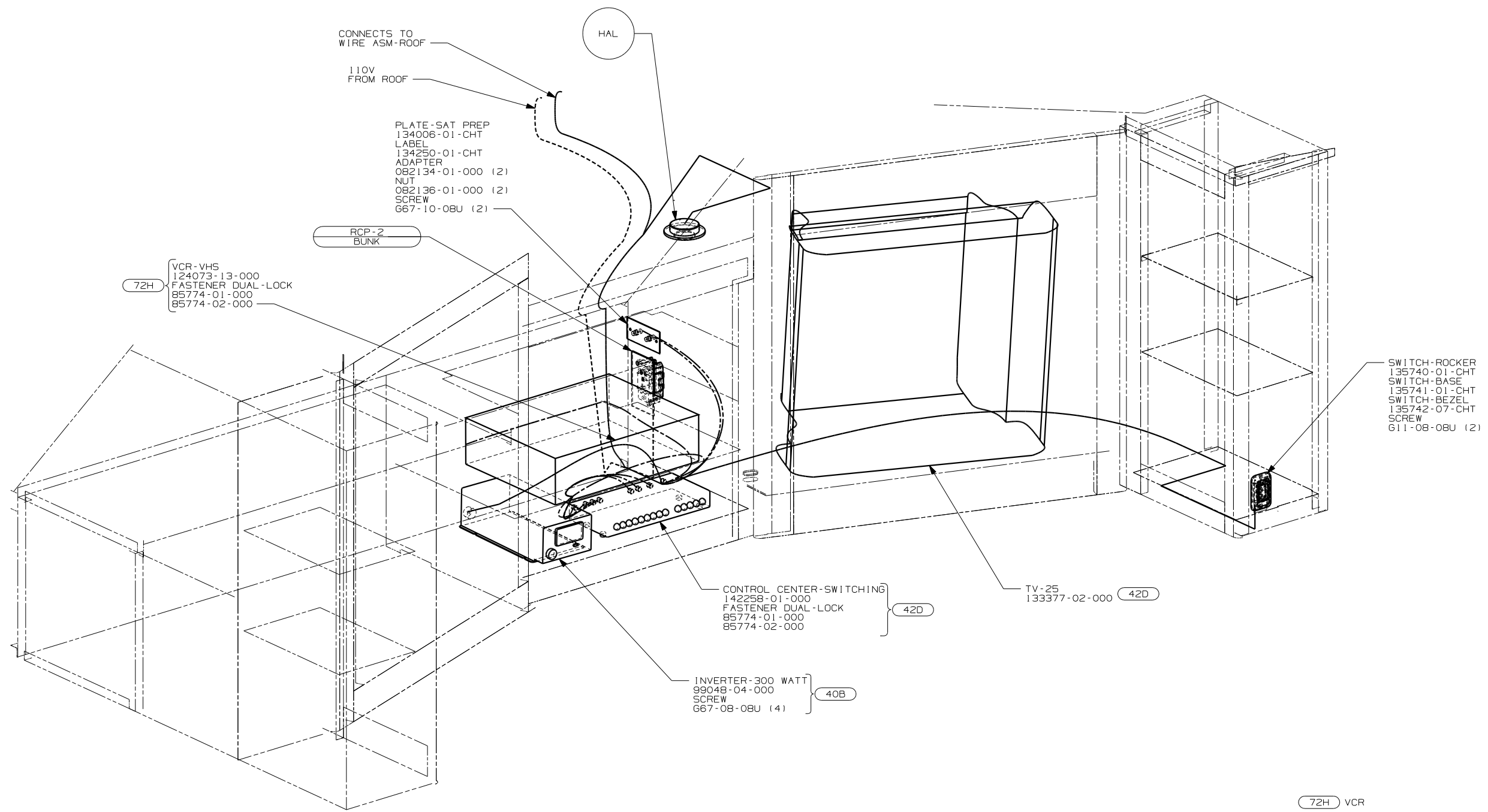
TITLE: WIRING INSTL-TV/VCR,FRONT

SHEET 1 OF 5 PART NO 141306

300 SERIES

(X-X) FOR ELECTRICAL CALLOUTS SEE DWG NO. 121339-01-000

- NOTES:
3. SEE SHT 4 FOR COAX DETAILS.
 2. SEE SHT 4 FOR 110V AND 12V DETAILS.
 1. SEE WIRING INSTL-BODY, 12V & 110V FOR ADDITIONAL INFORMATION.



- NOTES:
1. SEE WIRING INSTL-BODY, 12V & 110V FOR ADDITIONAL INFORMATION.
 2. SEE SHT 4 FOR 110V AND 12V DETAILS
 3. SEE SHT 4 FOR COAX DETAILS.

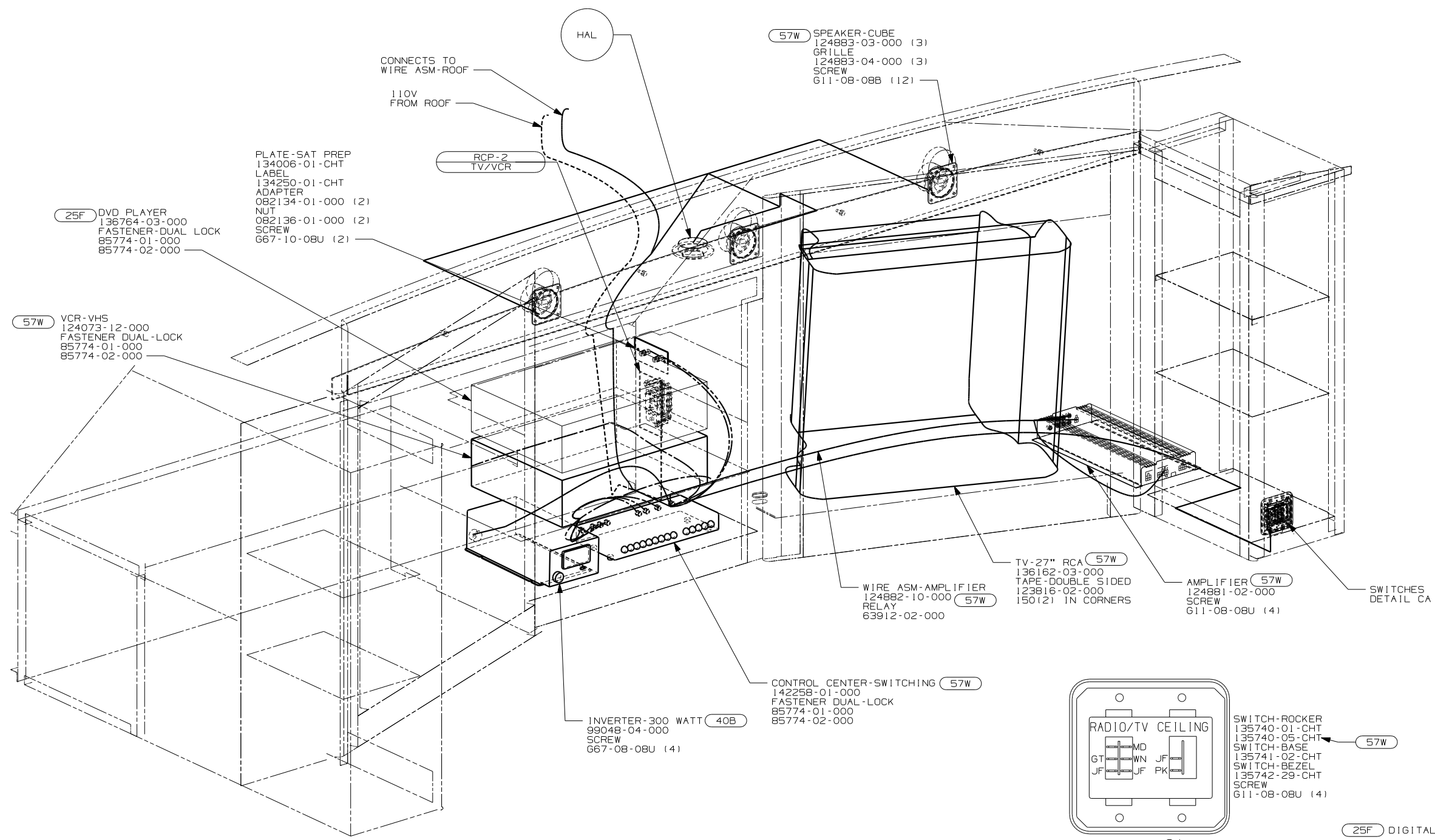
- (72H) VCR
- (42D) TV-25" W/VIDEO SELECTION SYS
- (40B) INVERTER-DC/AC, 300 WATT
- (265) CODES/STANDARDS-CSA/CMVSS
- (1B1) CODES/STANDARDS USA

400 SERIES W/OUT DELUXE SOUND

FOR ELECTRICAL
TORQUE
SPECIFICATIONS
SEE DWG NO.
128783-01-000

(X-X)
FOR
ELECTRICAL
CALLOUTS
SEE DWG NO.
121339-01-000

| | |
|-------------------------------------|-------------------|
| FIRST USED | |
| 300/400 SER | |
| DO NOT SCALE DRAWING | |
| TITLE: WIRING INSTL-TV/VCR,FRONT | |
| SHEET 2 | PART NO 141306 |



- 25F DIGITAL VIDEO DISC PLAYER
- 40B INVERTER-DC/AC, 300 WATT
- 57W DELUXE ENTERTAINMENT CENTER
- 265 CODES/STANDARDS-CSA/CMVSS
- 1B1 CODES/STANDARDS USA

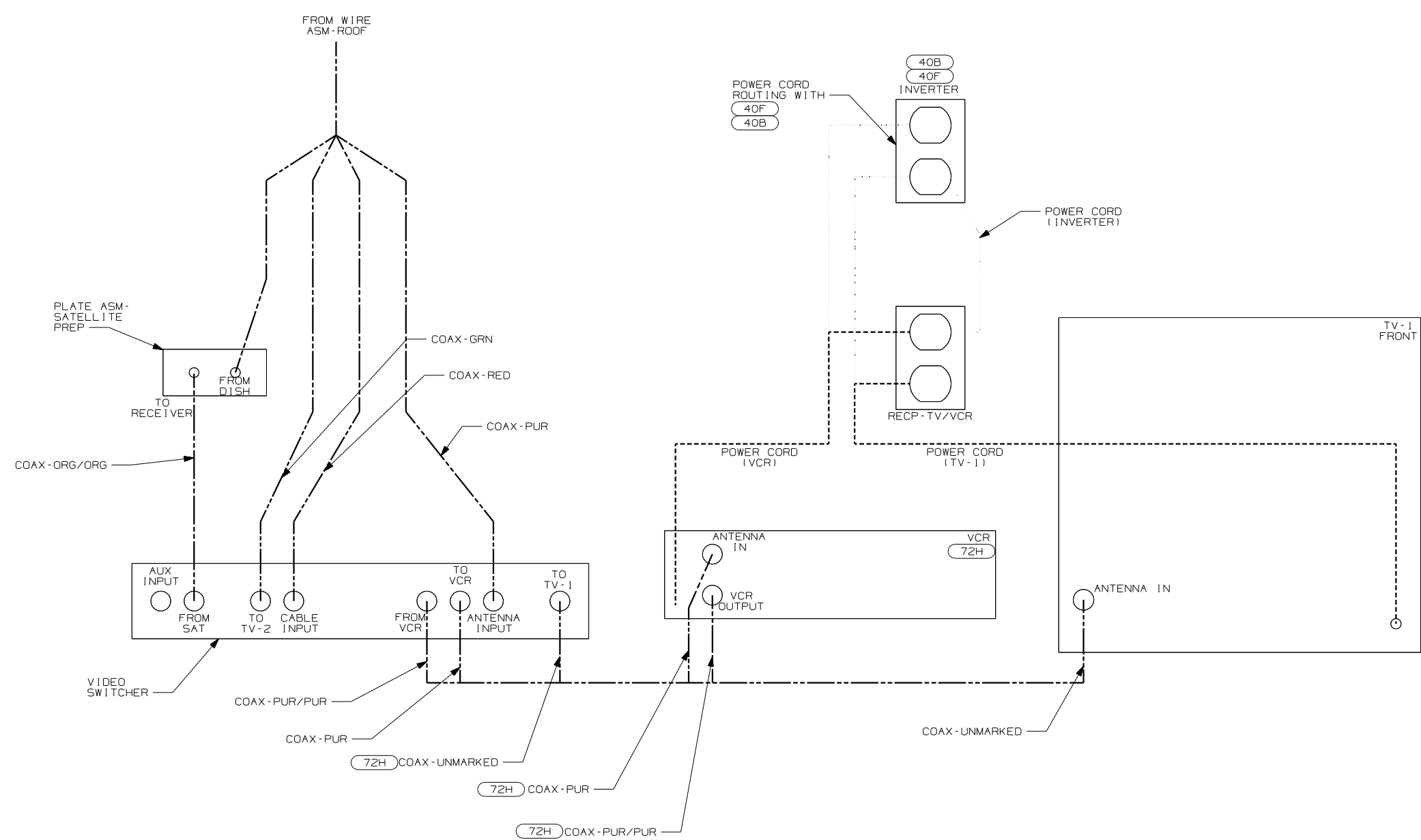
| | |
|---------------------------|----------------|
| FIRST USED | |
| 300/400 SER | |
| DO NOT SCALE DRAWING | |
| TITLE: | |
| WIRING INSTL-TV/VCR,FRONT | |
| SHEET 3 | PART NO 141306 |

400 SERIES WITH DELUXE SOUND

FOR ELECTRICAL
TORQUE
SPECIFICATIONS
SEE DWG NO.
128783-01-000

FOR ELECTRICAL
CALLOUTS
SEE DWG NO.
121339-01-000

- NOTES:
3. SEE SHT 5 FOR COAX DETAILS.
 2. SEE SHT 5 FOR 110V AND 12V DETAILS.
 1. SEE WIRING INSTL-BODY, 12V & 110V FOR ADDITIONAL INFORMATION.



- (40B) INVERTER-DC/AC, 300 WATT
- (25F) DIGITAL VIDEO DISC PLAYER
- (42D) TV-25" W/VIDEO SELECTION SYS
- (72H) VCR
- (40F) INVERTER-DC/AC, 130W
- (193) ANTENNA-TV, AMPLIFIED

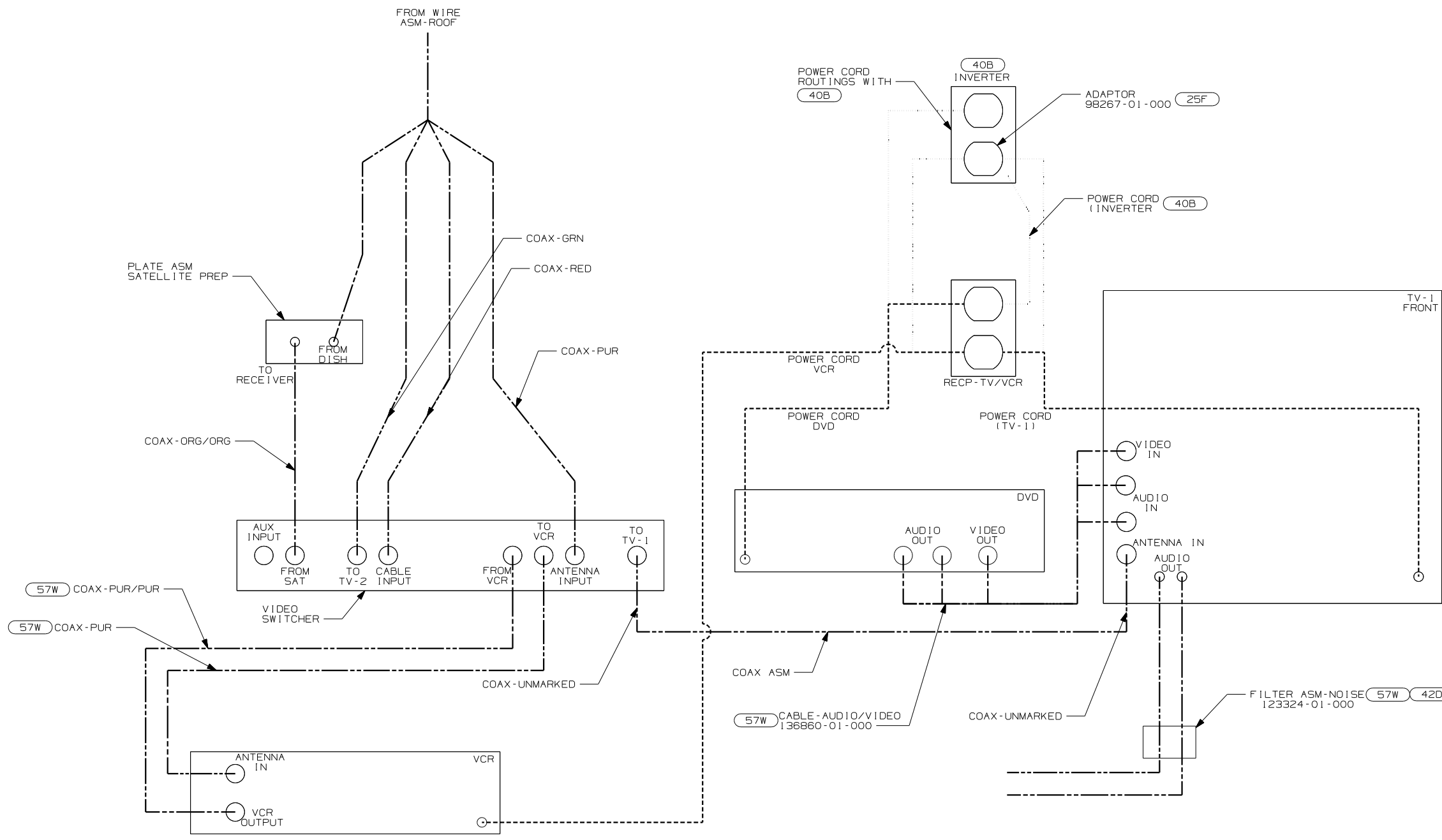
| | |
|---------------------------|----------------|
| FIRST USED | |
| 300/400 SER | |
| DO NOT SCALE DRAWING | |
| TITLE: | |
| WIRING INSTL-TV/VCR,FRONT | |
| SHEET 4 | PART NO 141306 |

300 SERIES
400 SERIES W/OUT DELUXE SOUND

FOR ELECTRICAL TORQUE SPECIFICATIONS SEE DWG NO. 128783-01-000

FOR ELECTRICAL CALLOUTS SEE DWG NO. 121339-01-000

NOTES:
1. SEE WIRING INSTL-BODY, 12V FOR ADDITIONAL INFORMATION.



- (25F) DIGITAL VIDEO DISC PLAYER
- (57W) DELUXE ENTERTAINMENT CENTER
- (42D) TV-25" W/SWITCHER
- (40B) INVERTER-DC/AC, 300 WATT
- (193) ANTENNA-TV, AMPLIFIED

| | |
|------------|---------------------------|
| FIRST USED | 300/400 SER |
| TITLE | DO NOT SCALE DRAWING |
| TITLE | WIRING INSTL-TV/VCR,FRONT |
| SHEET 5 | PART NO 141306 |

400 SERIES WITH DELUXE SOUND

FOR ELECTRICAL TORQUE SPECIFICATIONS SEE DWG NO. 128783-01-000

FOR ELECTRICAL CALLOUTS SEE DWG NO. 121339-01-000

1. SEE WIRING INSLT-BODY, 12V FOR ADDITIONAL INFORMATION.

NOTES: