



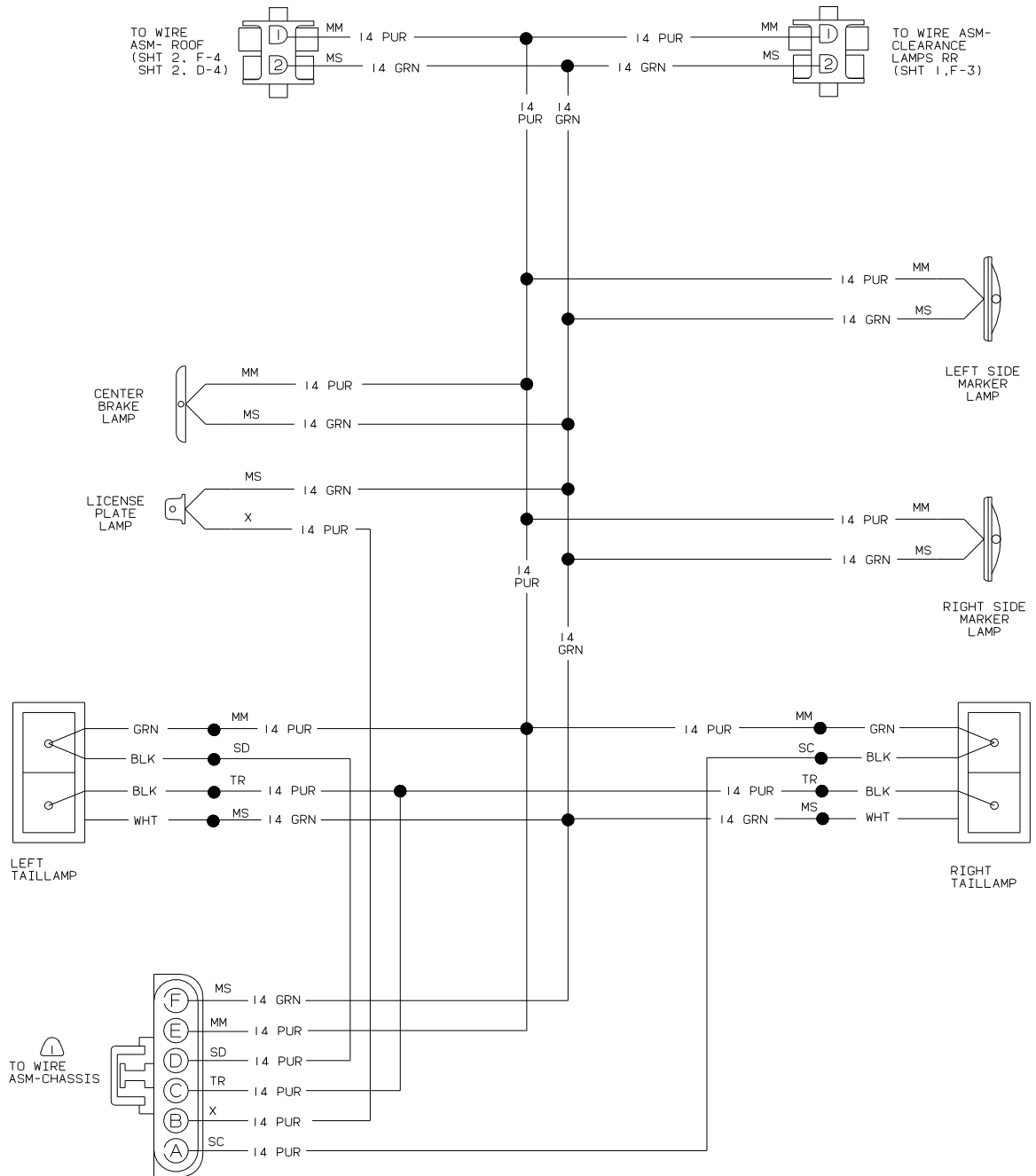
DANGER

Danger of electrical shock, burns or death. Always remove all power sources before attempting any repair, service or diagnostic work. Power can be present from shore power, generator, inverter or battery. All power sources must be disabled and secured before performing any service.

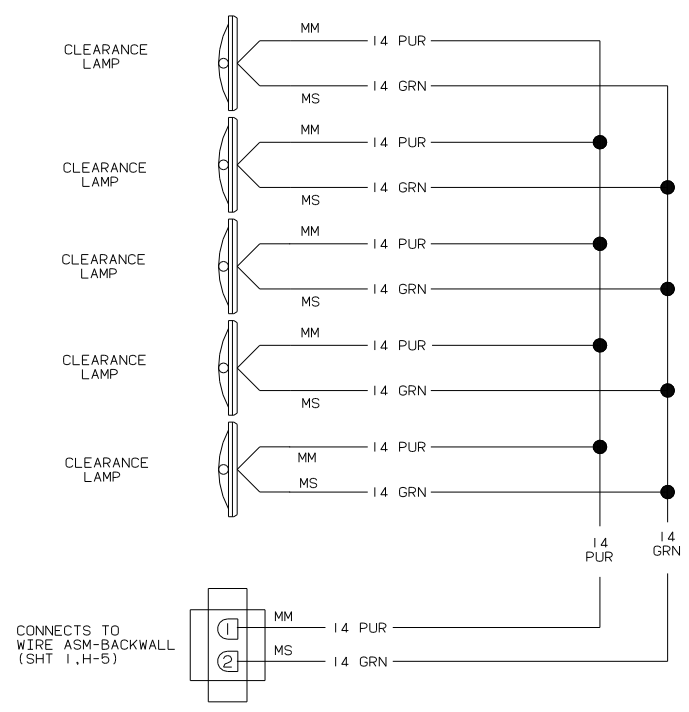


CAUTION

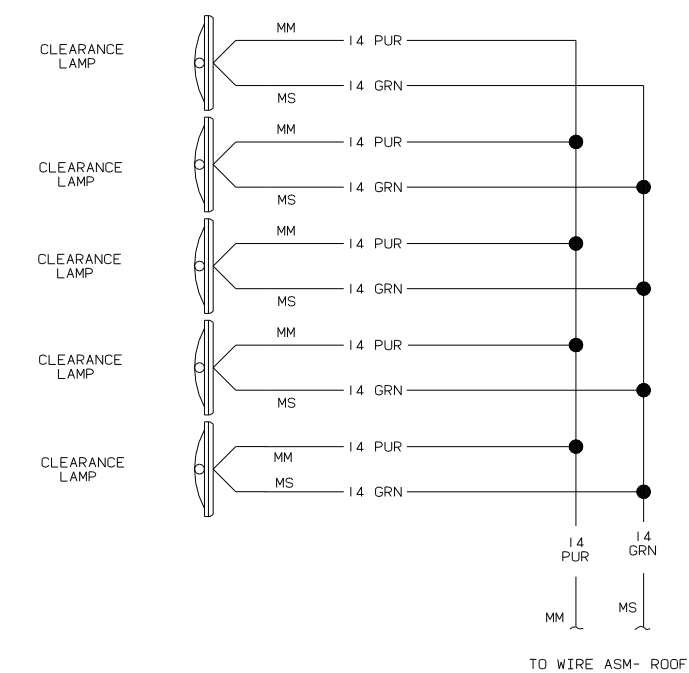
If you lack the skills, tools or equipment to perform diagnostic or repair work leave such work to an authorized Winnebago Industries dealer or other qualified shop.



SEE MANUFACTURER'S DIAGRAM FOR ADDITIONAL INFORMATION.

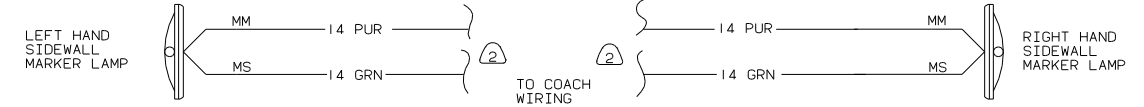
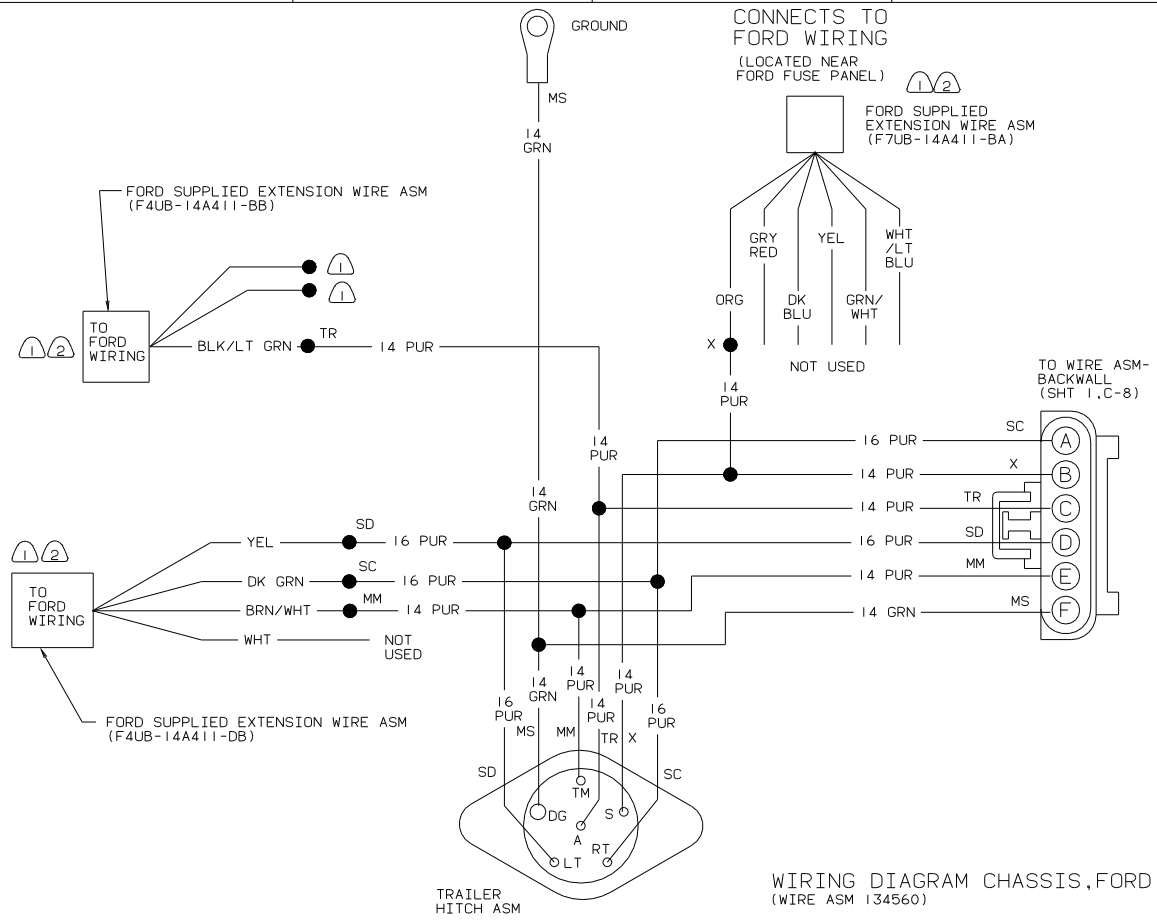


FRONT WIRING DIAGRAM
CLEARANCE LIGHTS
(WIRE ASM 132085-02)



FRONT WIRING DIAGRAM
CLEARANCE LIGHTS
(WIRE ASM 132085-01)

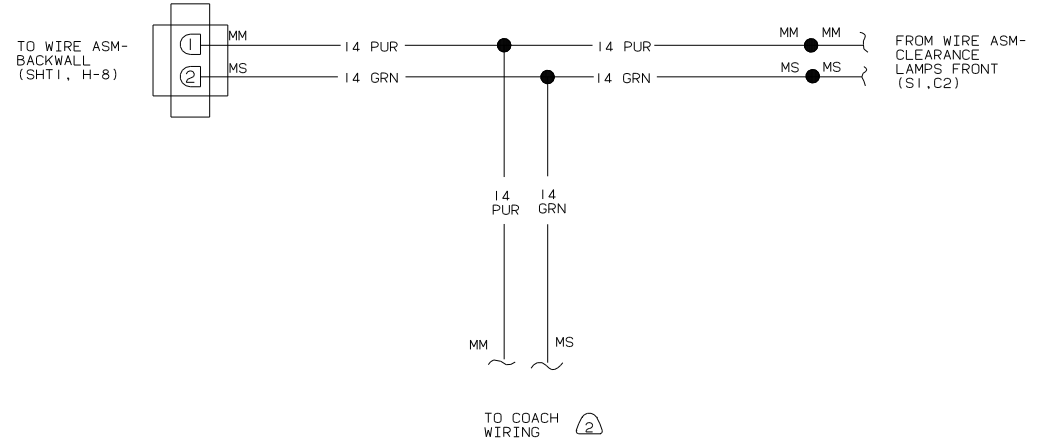
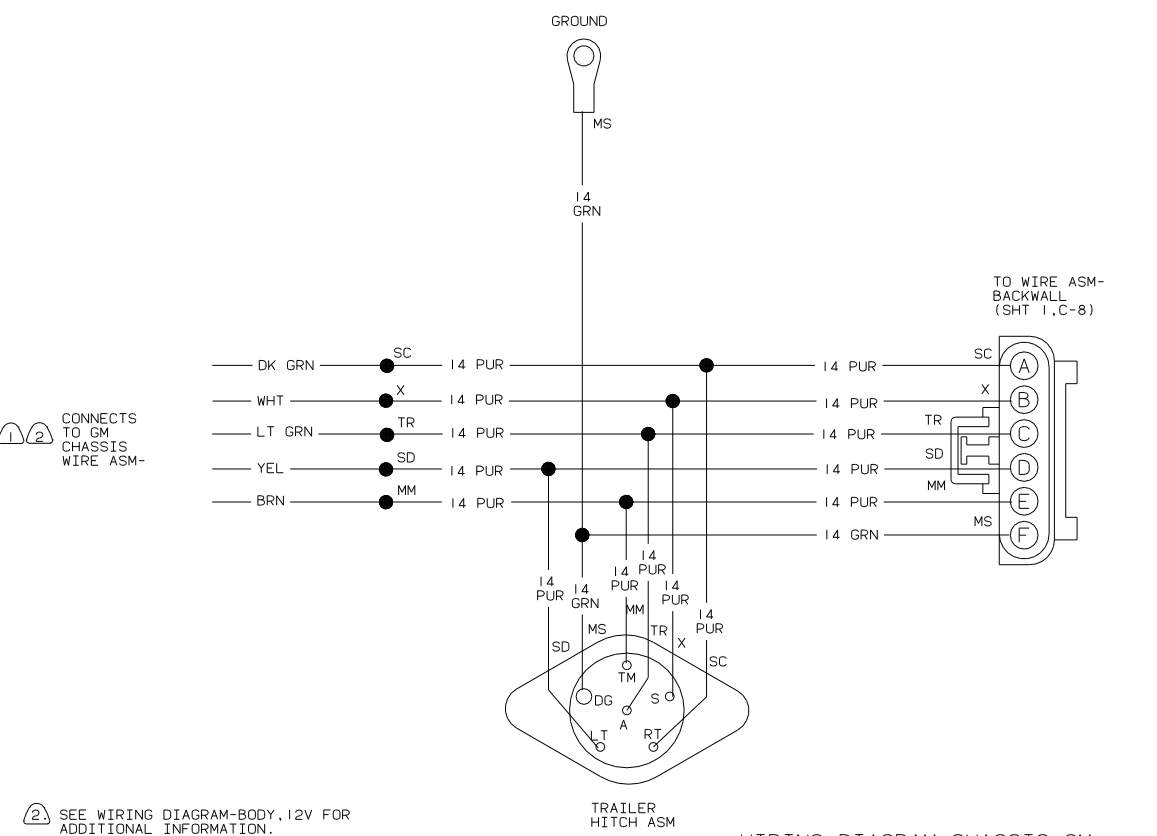
COPYRIGHT 2002 WINNEBAGO INDUSTRIES, INC.		WINNEBAGO		01 300/400
DATE	UNSPECIFIED TOLERANCES ARE:	MATERIAL:		
DATE	WHOLE DIM (XX)	+		
DATE	ONE-PLACE (X.X)	+		
DATE	TWO-PLACE (X.XX)	+		
DATE	ANGLE	+		
DATE	THIRD ANGLE PROJECTION	+		
LAYOUT NO	TITLE	WIRING DIAGRAM-AUTO LAMPS		
DIA #	SCALE: NONE	DO NOT SCALE DRAWINGS	SHEET NO	134998
ALL DIMENSIONS ARE IN MILLIMETERS		SHEET	OF 2	1E
REF: 132847		07/23/02		



WIRING DIAGRAM-COACH, MARKER LAMPS 331C, 331T, 430V, 431A



WIRE DIAGRAM-ROOF 322E, 322R, 324V, 327P, 329N, 429U



WIRE DIAGRAM-ROOF 331C, 331T, 430V, 431A

NOTES:

② SEE WIRING DIAGRAM-BODY, 12V FOR ADDITIONAL INFORMATION.

① SEE MANUFACTURER'S DIAGRAM FOR ADDITIONAL INFORMATION.