

- NOTES:
1. SLOPE OF HORIZONTAL PIPING TO BE 6 PER 305.
 2. SLOPE OF TRAP ARM MUST BE 6 PER 305.
 3. ALL PIPE AND FITTINGS TO BE ASSEMBLED WITH SOLVENT 4020-01-000.
 4. ALL EXTERIOR OPENINGS AROUND PIPE TO BE SEALED WITH 69637-01-000.
 5. EXPOSED PIPE ABOVE ROOF TO BE PAINTED 37163-01-000.

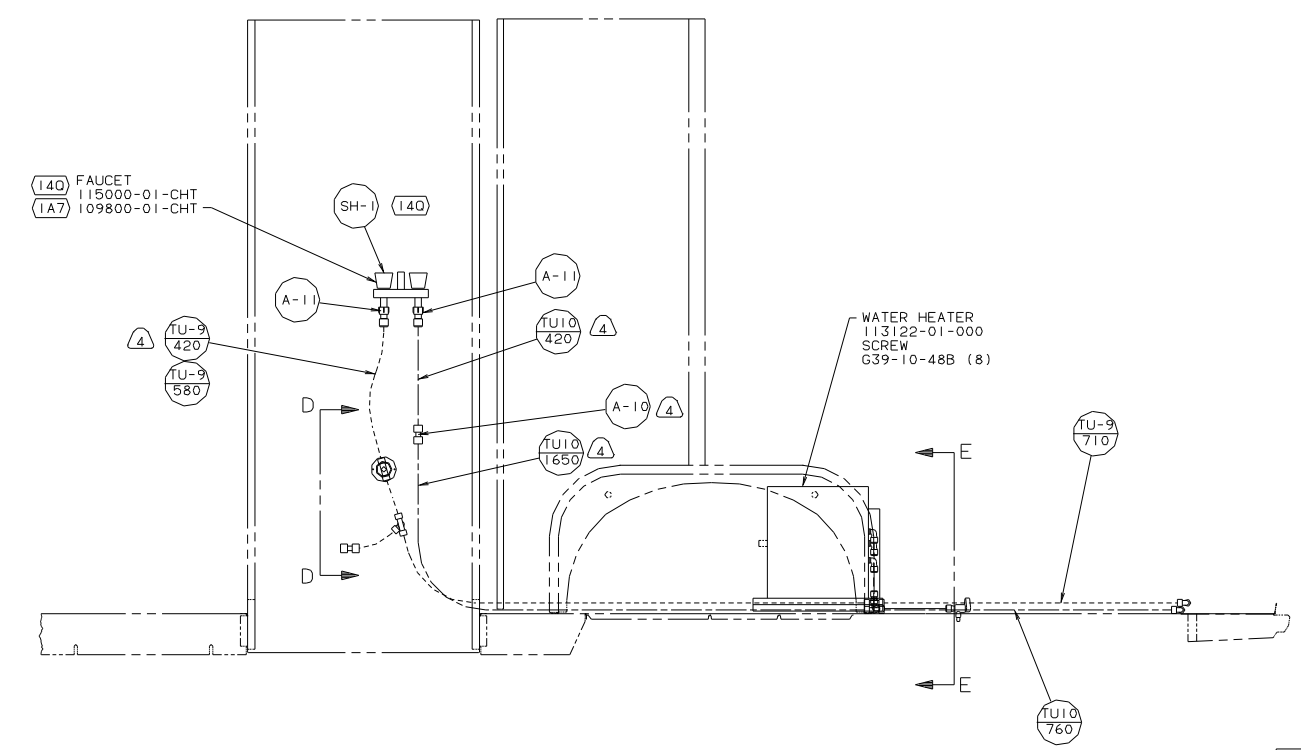
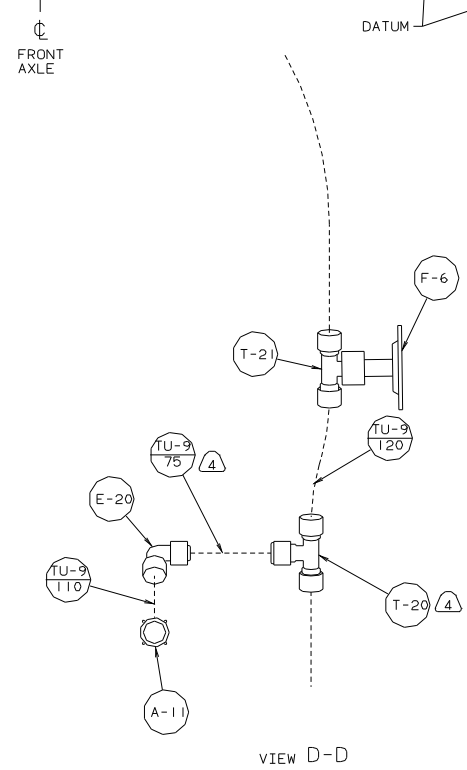
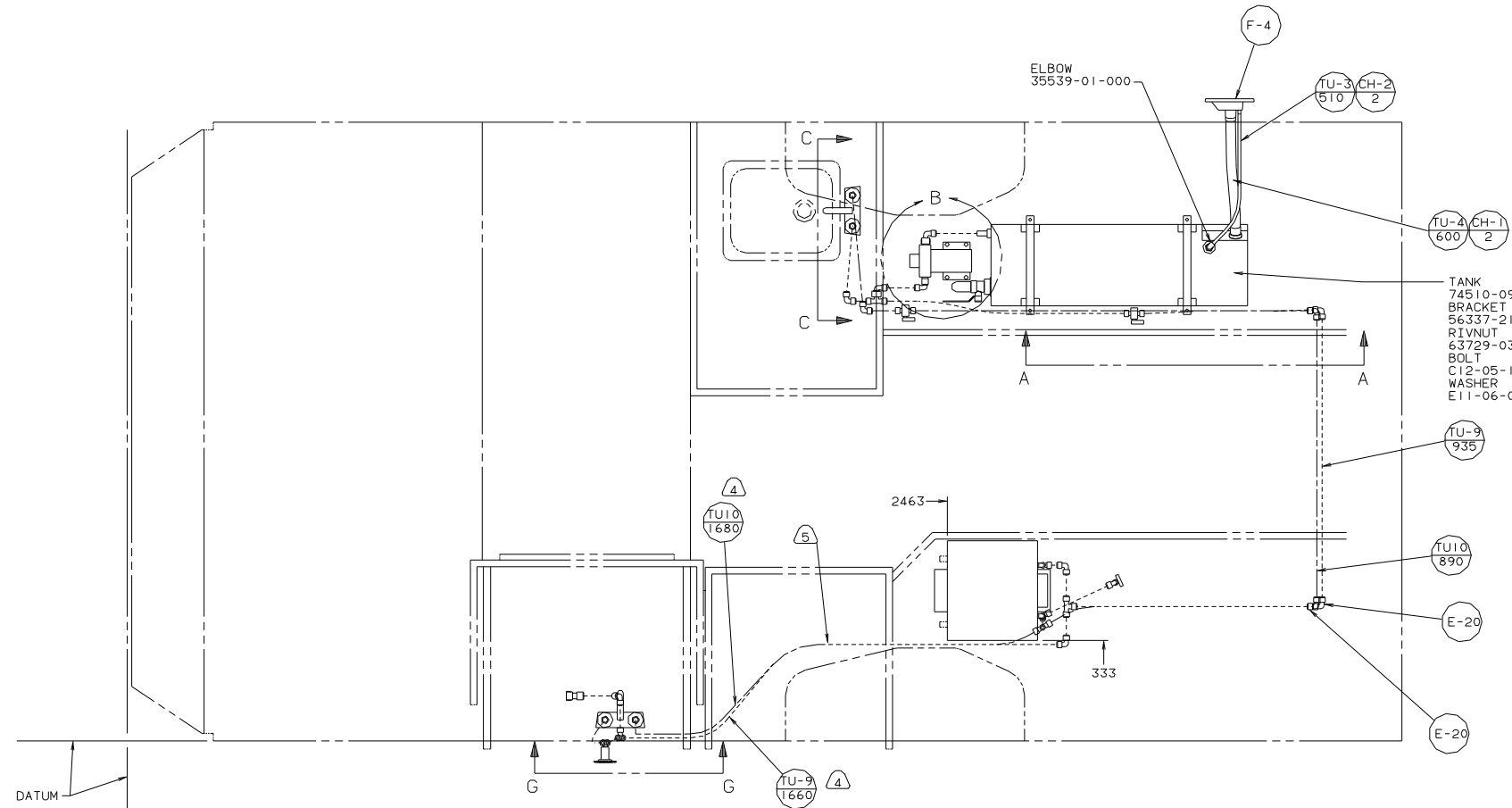
6. FOR CAN UNITS EACH HOLDING TANK SHALL HAVE A CSA APPROVAL STAMPED NEAR THE IAMPO APPROVAL.
7. SEE DWG 61607-01-000 FOR INSTALLATION OF GROMMET.
8. VENT PIPE MUST PROJECT 51 MIN AND 63.5 MAX ABOVE ROOF FOR PROPER FIT AND FUNCTION.
9. USE SCRAP CLOSED CELL NEOPRENE FROM 77075-01-02 OR -03 ON HAT CHANNELS FOR VIBRATION DAMPENING.
10. SECURE PIPES TO CABINET USING WIRE TIE 108046-02-000 AND SCREW G67-10-12U (8).

FOR DRAINAGE CALLOUTS SEE DWG NO. 116229-01-000

222 RD US/CANADIAN

- (265) CODES/STANDARDS-CSA/CMVSS
- (1B1) CODES STANDARDS/USA
- (1A7) SHOWER PACKAGE-WITHOUT
- (140) SHOWER PACKAGE

COPYRIGHT 2002 WINNEBAGO INDUSTRIES, INC. WINNEBAGO 03 2220D	
DATE	UNSPECIFIED TOLERANCES ARE:
DATE	WHOLE DIM (+.00) ±.03
DATE	ONE-PLACE (+.XX) ±.01
DATE	TWO-PLACE (+.XXX) ±.005
DATE	THIRD ANGLE PROJECTION
DATE	
LAYOUT NO. 200GEN	TITLE: DRAINAGE SYSTEM INSTL
DIA # SCALE: NONE	DO NOT SCALE DRAWING
SHEET 1 OF 1	DWG NO. 141598
ALL DIMENSIONS ARE IN MILLIMETERS	



- NOTES:
- ④ NOT REQUIRED WITH EXTERIOR SHOWER.
 - 3. ALL TUBING TO BE SECURED AT 1200 INTERVALS MAXIMUM WITH CLAMP 10495-01-000 OR CLIP 91951-01-000 AND SCREW G67-10-12B.
 - 2. TUBING TO BE INSTALLED WITH SUFFICIENT SLOPE TO PROVIDE DRAINAGE TO NEAREST VALVE.
 - 1. PLASTIC FITTINGS TO BE SEALED WITH SEALANT 84456-01-000.

⑤ WRAP WATER LINES WITH INSULATION 105290-01-000 ANY PLACE THEY ARE IN CONTACT WITH MOTOR AID LINES. FASTEN WITH WIRE TIES.

- ⑥4R EXTERIOR WASH STATION
- ①A7 SHOWER PACKAGE-WITHOUT
- ①40 SHOWER PACKAGE

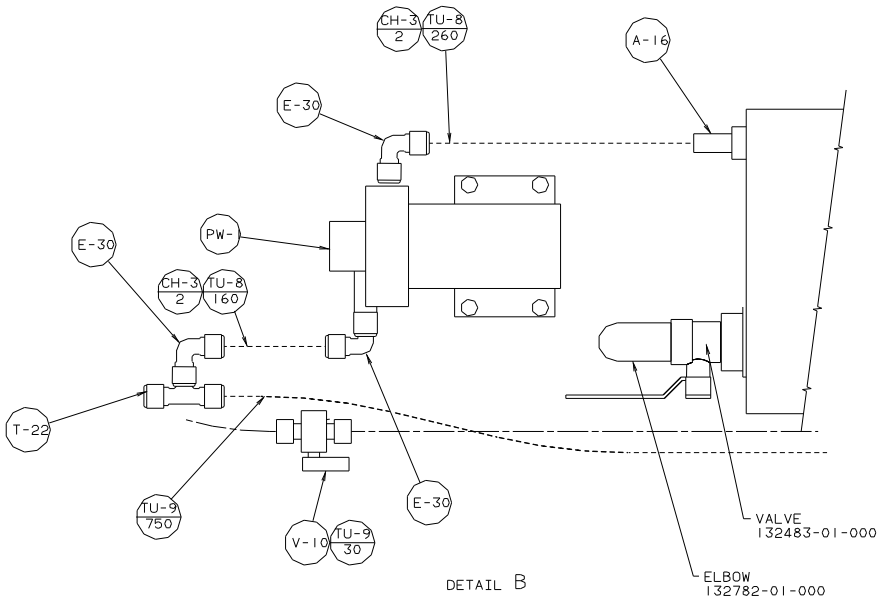
FOR WATER CALLOUTS SEE DWG NO. 116230-01-000

LEGEND	
HOT	-----
COLD	-----

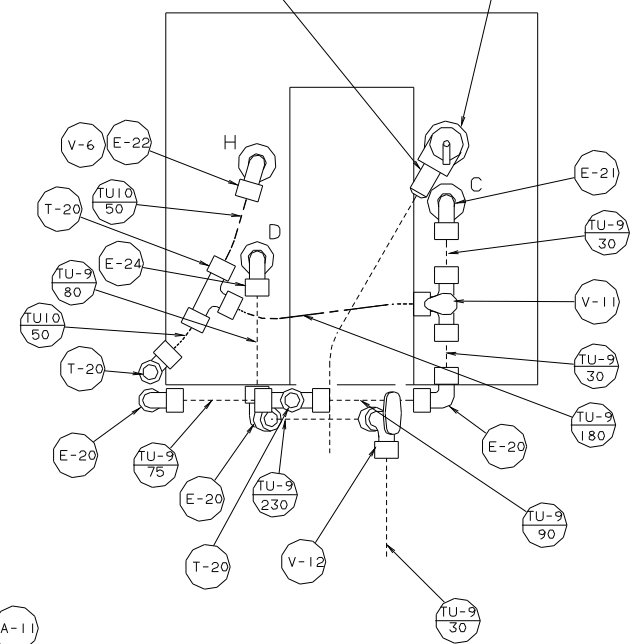
COPYRIGHT 2002 WINNEBAGO INDUSTRIES, INC.		WINNEBAGO		03 2220D	
DTR	DATE	UNSPECIFIED TOLERANCES ARE:	MATERIAL:		
CHR	DATE	ANGLE DIM (X)	+		
P E	DATE	ONE-PLACE (X, XX)	+		
M E	DATE	TWO-PLACE (X, XX)	+		
DNR	DATE	THIRD ANGLE PROJECTION	+		
LAYOUT NO	2220D	TITLE:	WATER SYSTEM INSTL		
DIA #	SCALE: NONE	DO NOT SCALE DRAWINGS	SHEET	NO	
ALL DIMENSIONS ARE IN MILLIMETERS		SHEET	1		OF 2
REF: 133334		DWG NO		141140	
REV 08/08/02					

FITTING-BRASS
90338-03-000
HOSE
7108-02-000
(400)
CLAMP
62401-04-000

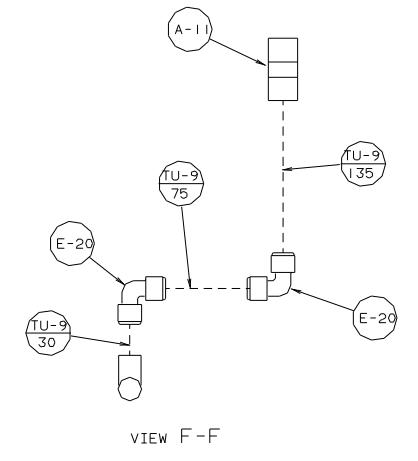
RELIEF VALVE
(SUPPLIED WITH
WATER HEATER)



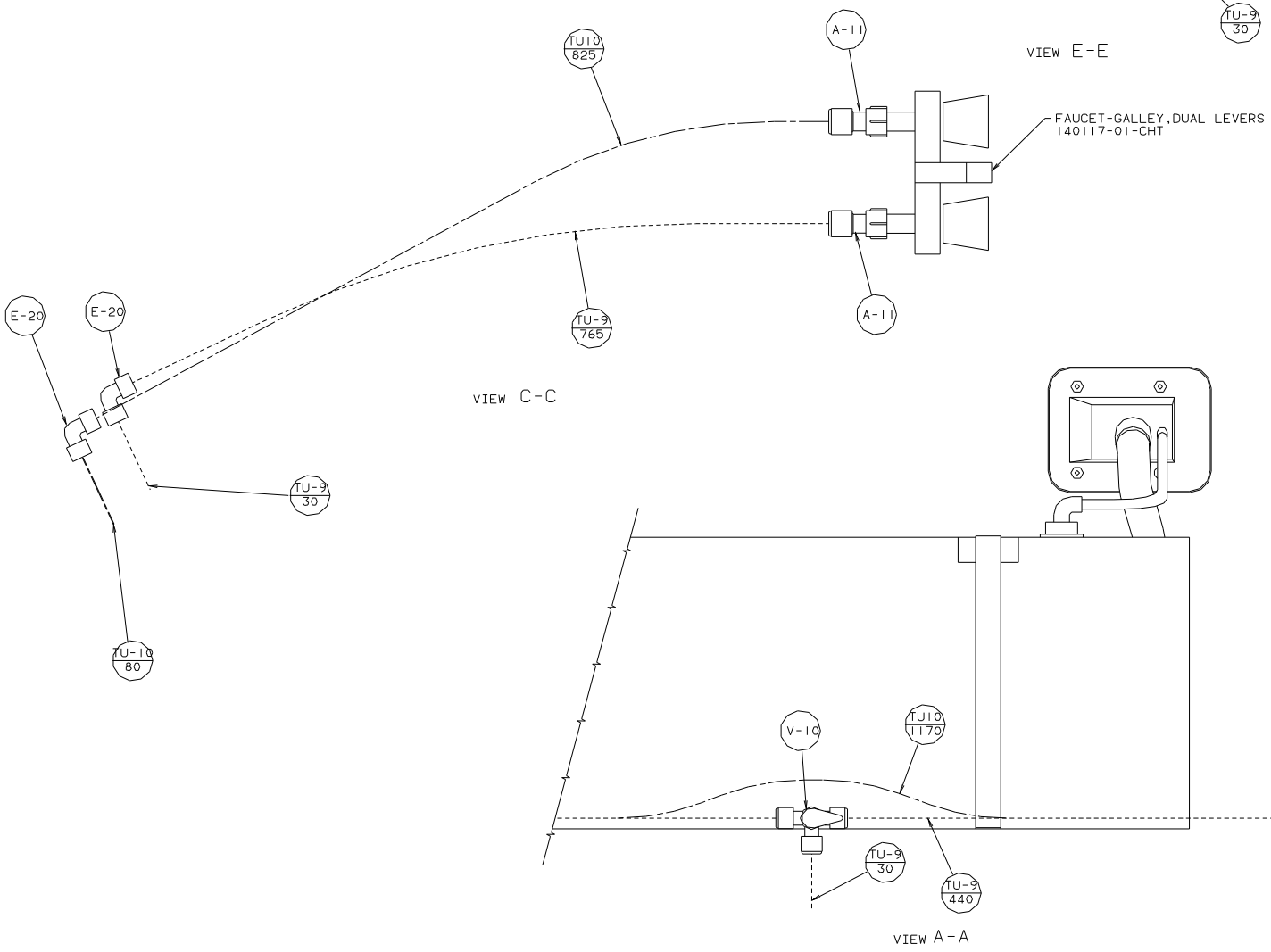
DETAIL B



VIEW E-E



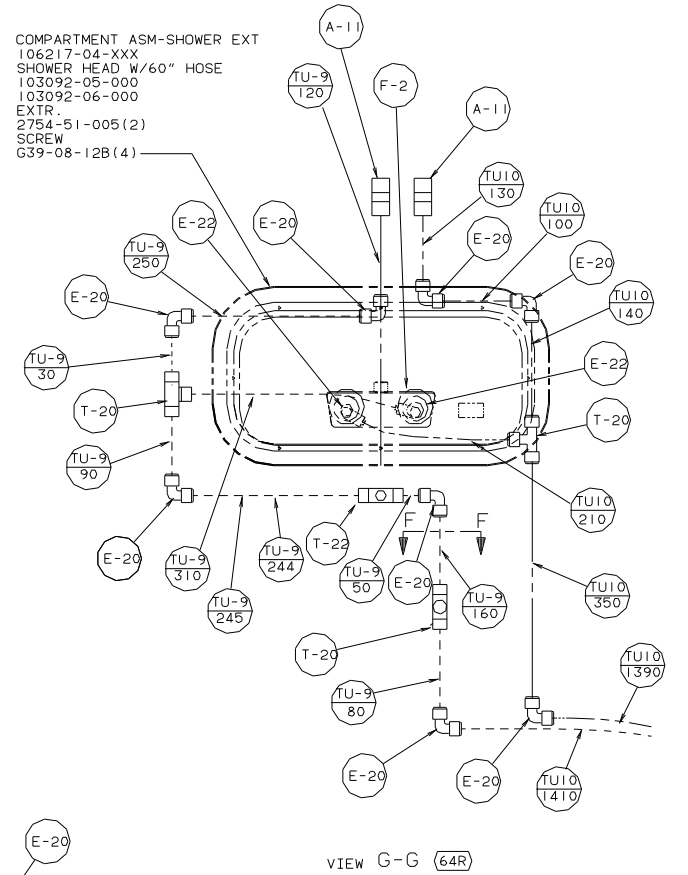
VIEW F-F



VIEW C-C

VIEW A-A

COMPARTMENT ASM-SHOWER EXT
106217-04-XXX
SHOWER HEAD W/60" HOSE
103092-05-000
103092-06-000
EXTR.
2754-51-005 (2)
SCREW
G39-08-12B (4)



VIEW G-G (64R)

03 222QD

TITLE:		WATER SYSTEM INSTL	
DO NOT SCALE DRAWING	SIZE	DWG NO	141140
SHEET 2 OF 2	REV	DATE	07/09/02