

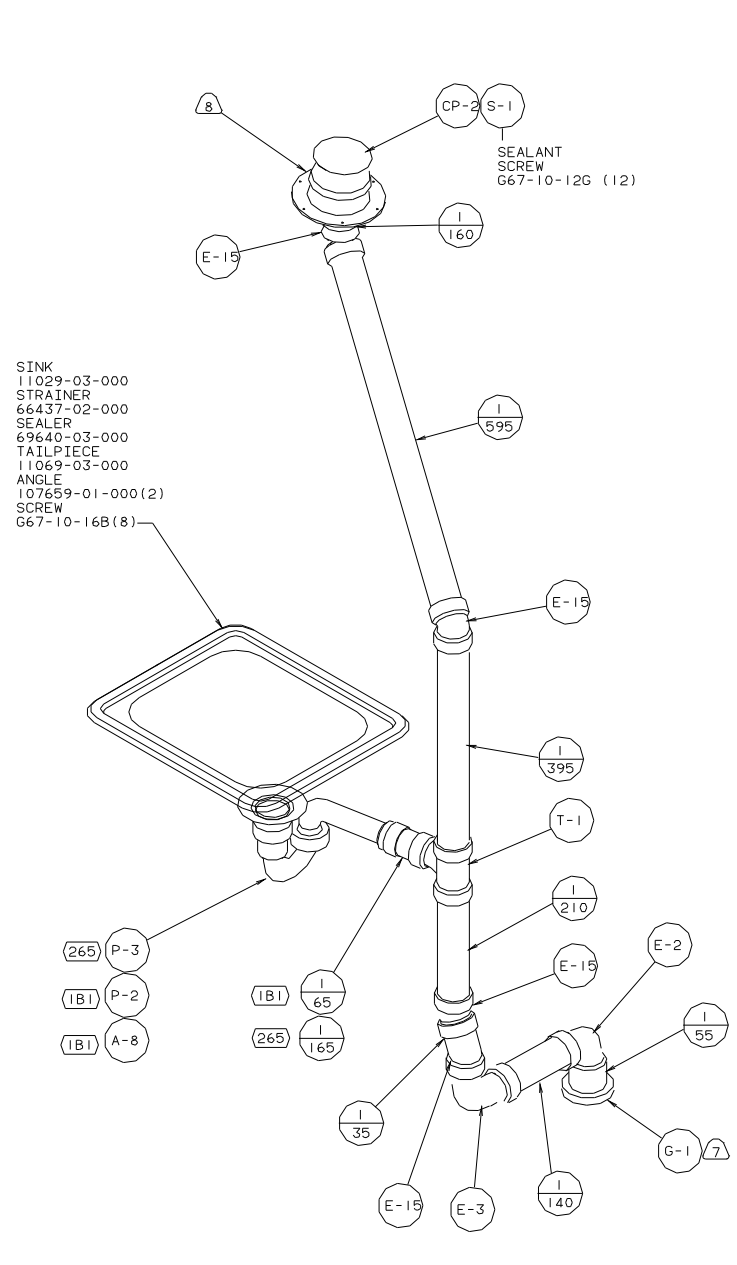
- NOTES:
1. SLOPE OF HORIZONTAL PIPING TO BE 6 PER 305 MIN.
 2. SLOPE OF TRAP ARM MUST BE 6 PER 305.
 3. ALL PIPE AND FITTINGS TO BE ASSEMBLED WITH SOLVENT 4020-01-000.
 4. ALL EXTERIOR OPENINGS AROUND PIPE TO BE SEALED WITH 69637-01-000.
 5. EXPOSED PIPE ABOVE ROOF TO BE PAINTED 37163-01-000.
 6. FOR CAN UNITS EACH HOLDING TANK SHALL HAVE A CSA APPROVAL STAMPED NEAR THE IAMPO APPROVAL.

7. SEE DWG 61607-01-000 FOR INSTALLATION OF GROMMET.
8. VENT PIPE MUST PROJECT 51 MIN AND 63.5 MAX ABOVE ROOF FOR PROPER FIT AND FUNCTION.
9. SECURE PIPES TO CABINET USING WIRE TIE 108046-02-000 AND SCREW G67-10-12U (8).
10. PLACE GASKET BETWEEN FLOOR AND BOTTOM OF TANK.

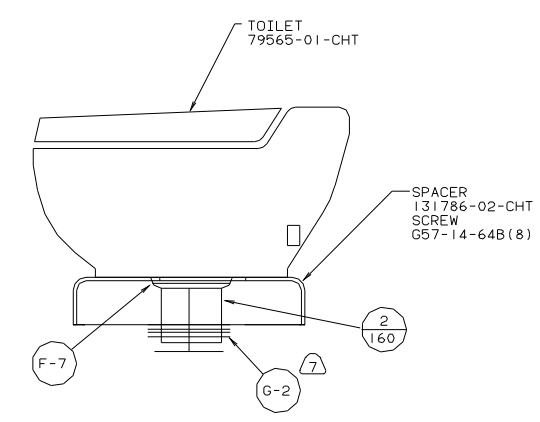
FOR DRAINAGE CALLOUTS SEE DWG NO. 116229-01-000

- (265) CODES/STANDARDS-CSA/CMVSS
- (1B1) CODES STANDARDS/USA
- (1A7) SHOWER PACKAGE-WITHOUT
- (140) SHOWER PACKAGE

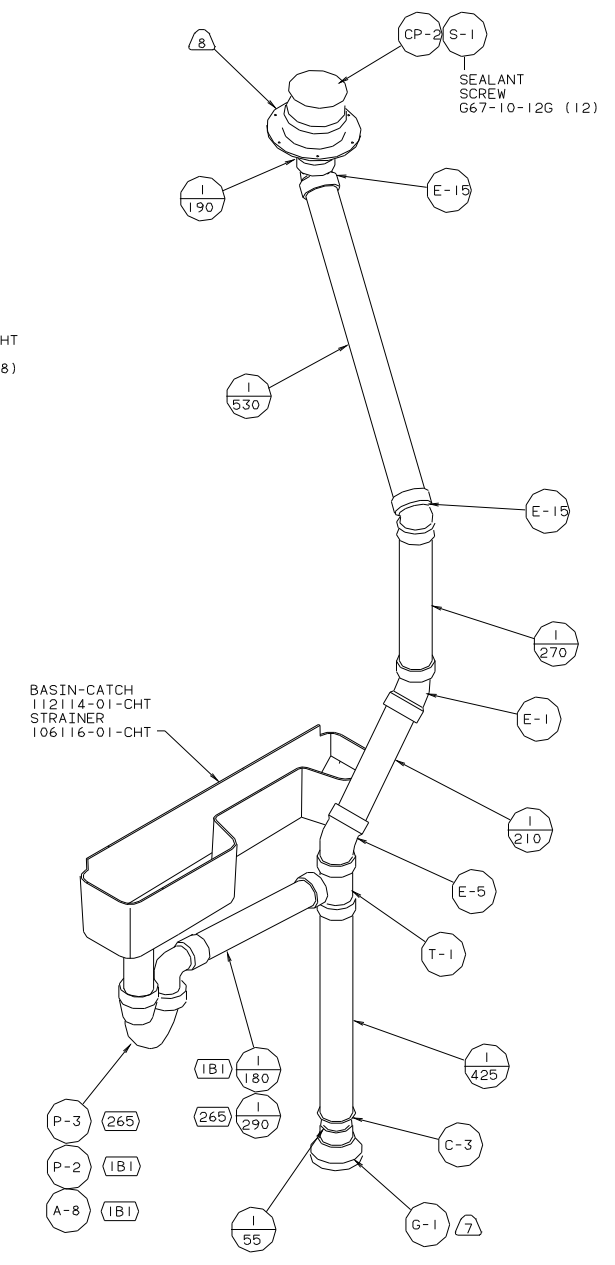
COPYRIGHT 2002 WINNEBAGO INDUSTRIES, INC.		WINNEBAGO		03 222HD
DWTR	DATE	UNSPECIFIED TOLERANCES ARE:	MATERIAL:	
CHR	DATE	ANGLE DIM (XX)	+	
P E	DATE	ONE-PLACE (X,XX)	+	
M E	DATE	TWO-PLACE (X,XX)	+	
	DATE	ANGLE	+	
DNR	DATE	THIRD ANGLE PROJECTION		
LAYOUT NO	222HD	TITLE:	DRAINAGE SYSTEM INSTL	
DIA #	SCALE: NONE	DO NOT SCALE DRAWING	SIZE	DWG NO
ALL DIMENSIONS ARE IN MILLIMETERS		SHEET 1 OF 3	1E	NO 141597
REF: 135954 C		07/09/02		



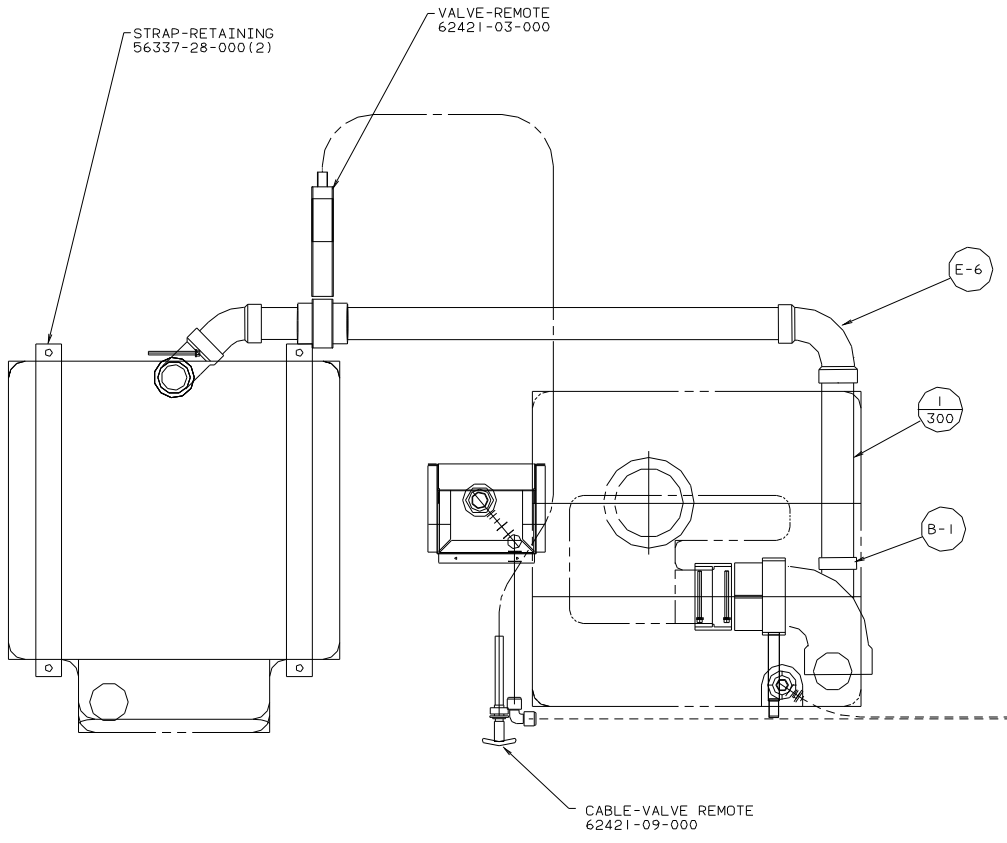
DETAIL A



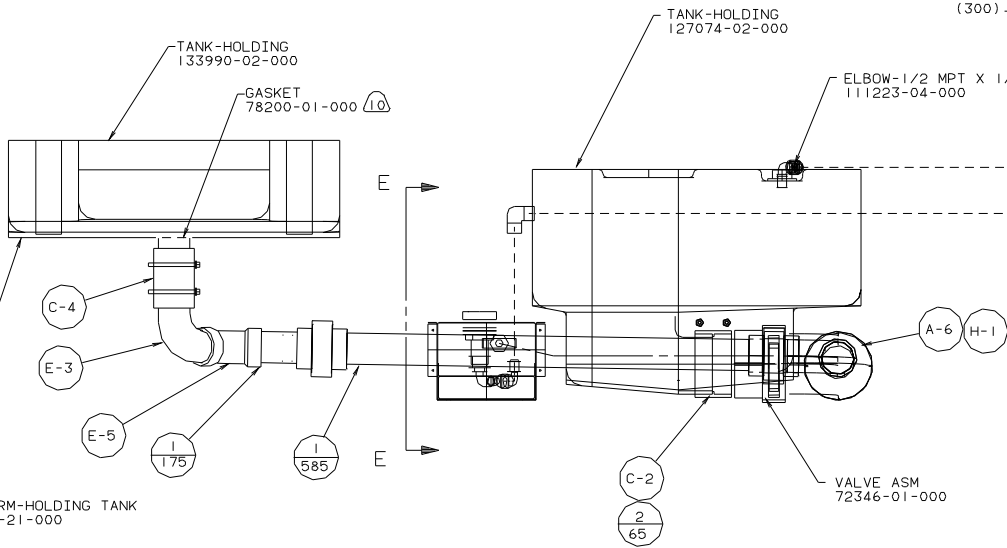
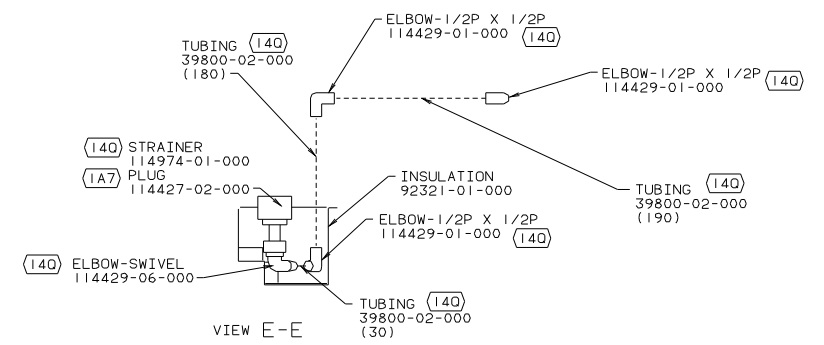
DETAIL B



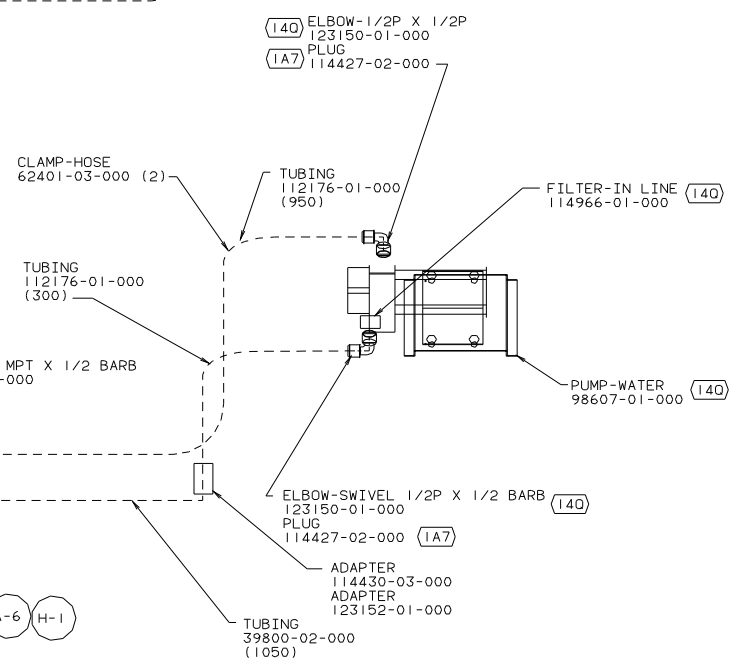
DETAIL C

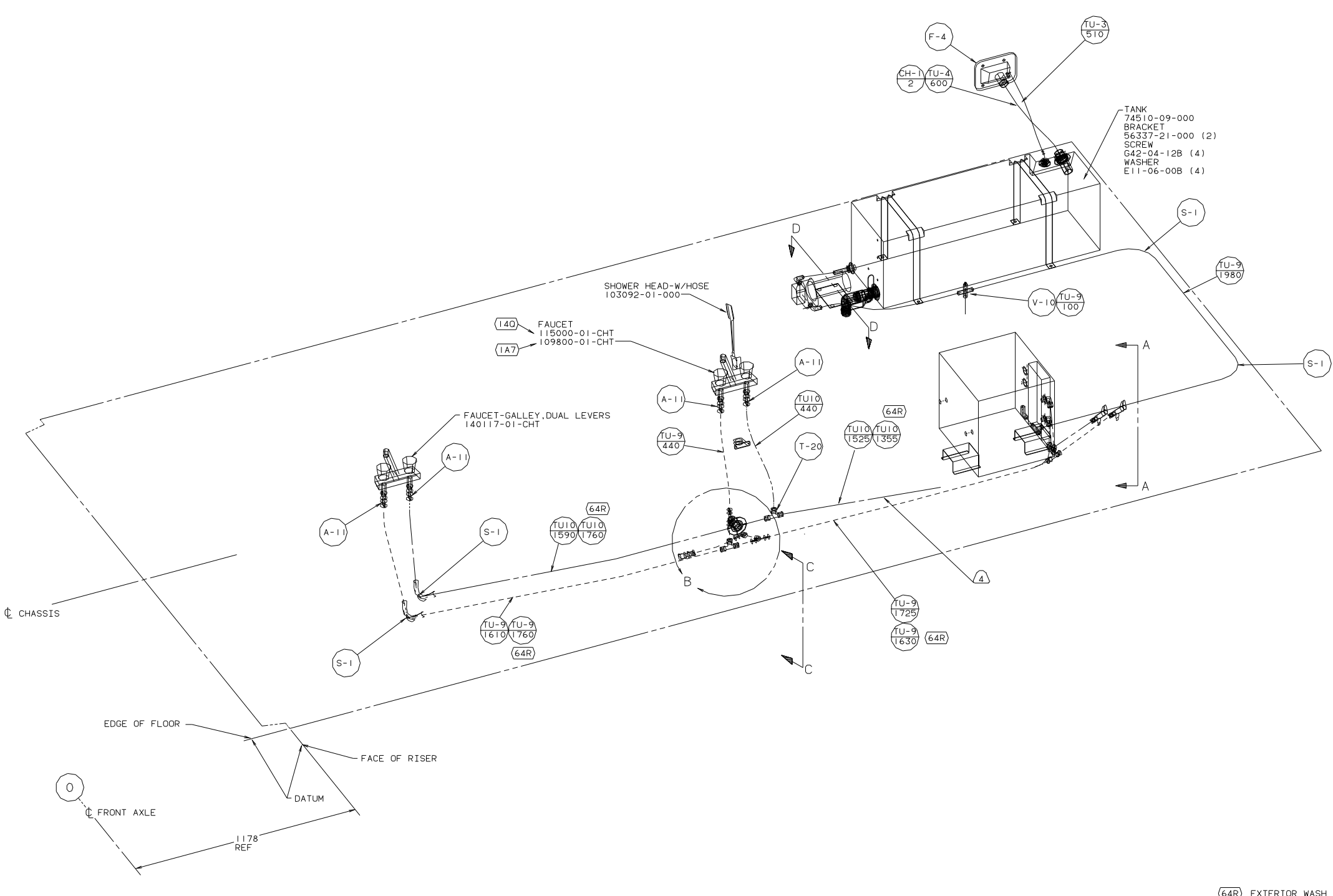


VIEW D-D



VIEW F-F





- NOTES:
1. PLASTIC FITTINGS TO BE SEALED WITH SEALANT 84456-01-000
 2. TUBING TO BE INSTALLED WITH SUFFICIENT SLOPE TO PROVIDE DRAINAGE TO NEAREST VALVE.
 3. ALL TUBING TO BE SECURED AT 1200 INTERVALS MAXIMUM WITH CLAMP 10495-01-000 OR CLIP 91951-01-000 AND SCREW G67-10-12B.
 4. WRAP WATER LINES WITH INSULATION 105290-01-000 ANY PLACE THEY ARE IN CONTACT WITH MOTOR AID LINES. FASTEN WITH WIRE TIES.

- (64R) EXTERIOR WASH STATION
- (140) SHOWER PACKAGE
- (1A7) SHOWER PACKAGE-WITHOUT

(X-X) FOR WATER CALLOUTS SEE DWG NO. 116230-01-000

LEGEND	
HOT	----
COLD	- - - - -

WINNEBAGO INDUSTRIES, INC. **WINNEBAGO** 03 222HD

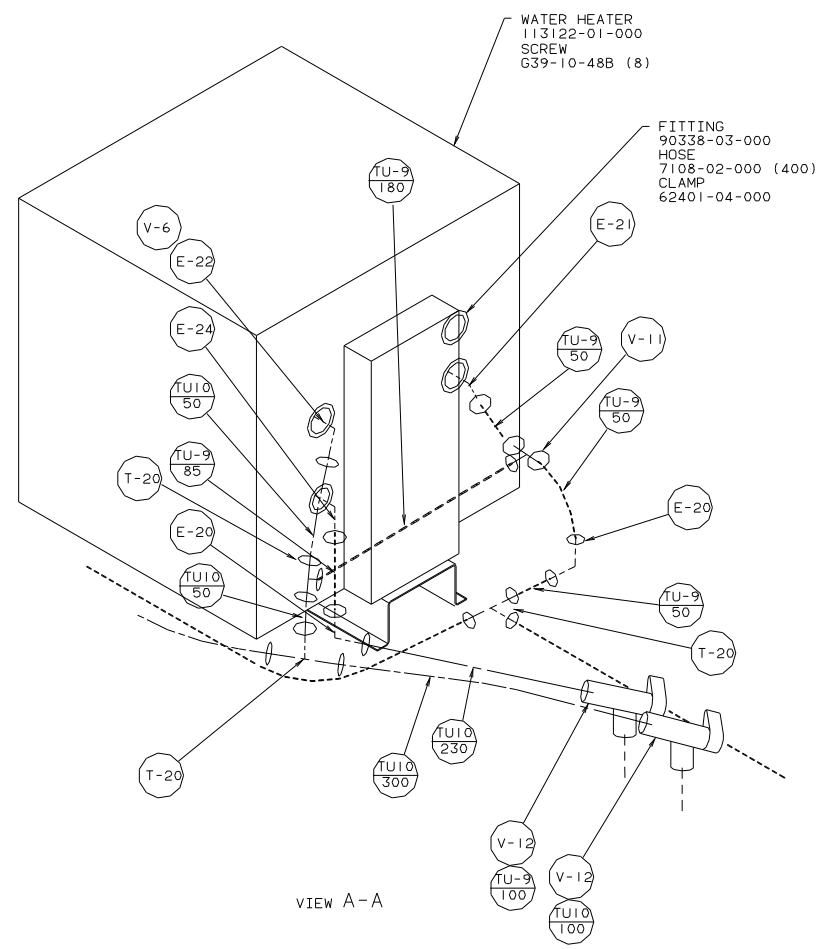
DTM	DATE	UNSPECIFIED TOLERANCES ARE:	MATERIAL:
CHR	DATE	ANGLE DIM (X)	+
P E	DATE	ONE-PLACE (X, XX)	+
M E	DATE	TWO-PLACE (X, XX)	+
DRNR	DATE	ANGLE	+
	DATE	THIRD ANGLE PROJECTION	

LAYOUT NO: 0C222HD TITLE: WATER SYSTEM INSTL

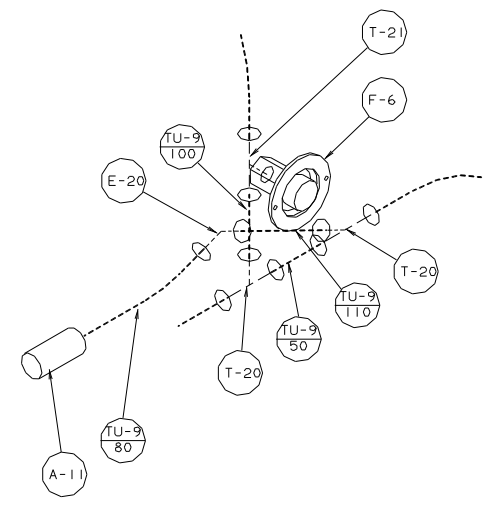
DIA # SCALE: NONE DO NOT SCALE DRAWINGS SHEET NO: 141141

ALL DIMENSIONS ARE IN MILLIMETERS SHEET 1 OF 2

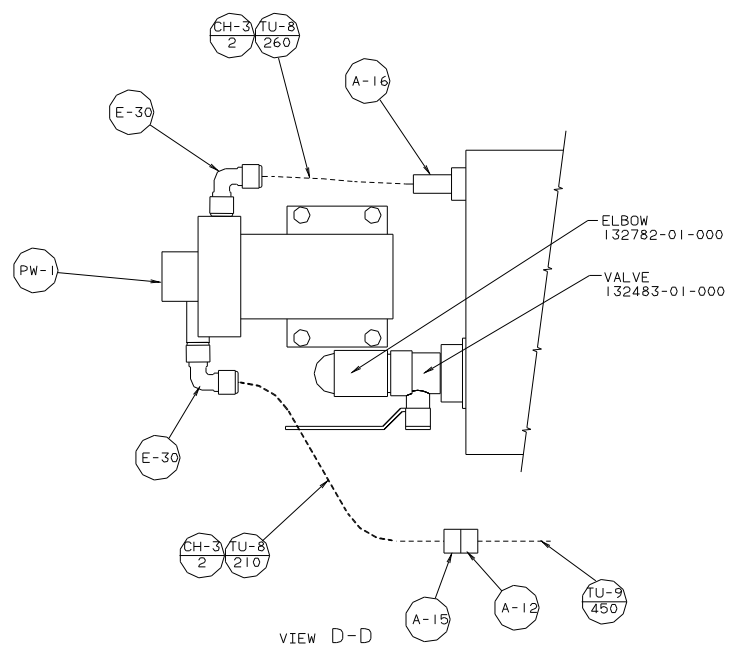
REF: 133332 J | 07/09/02



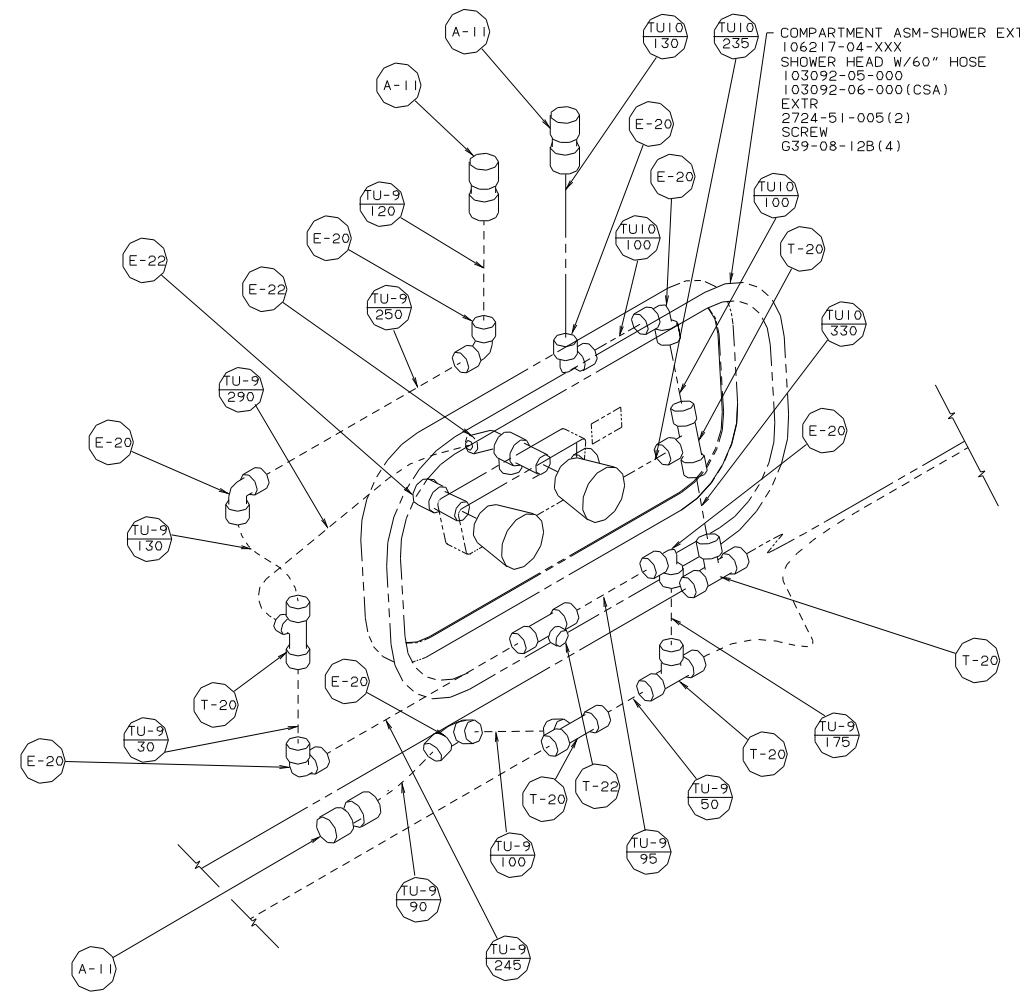
VIEW A-A



DETAIL B



VIEW D-D



VIEW C-C (64R)

COMPART ASM-SHOWER EXT
 106217-04-XXX
 SHOWER HEAD W/60" HOSE
 103092-05-000
 103092-06-000 (CSA)
 EXTR
 2724-51-005 (2)
 SCREW
 639-08-12B (4)