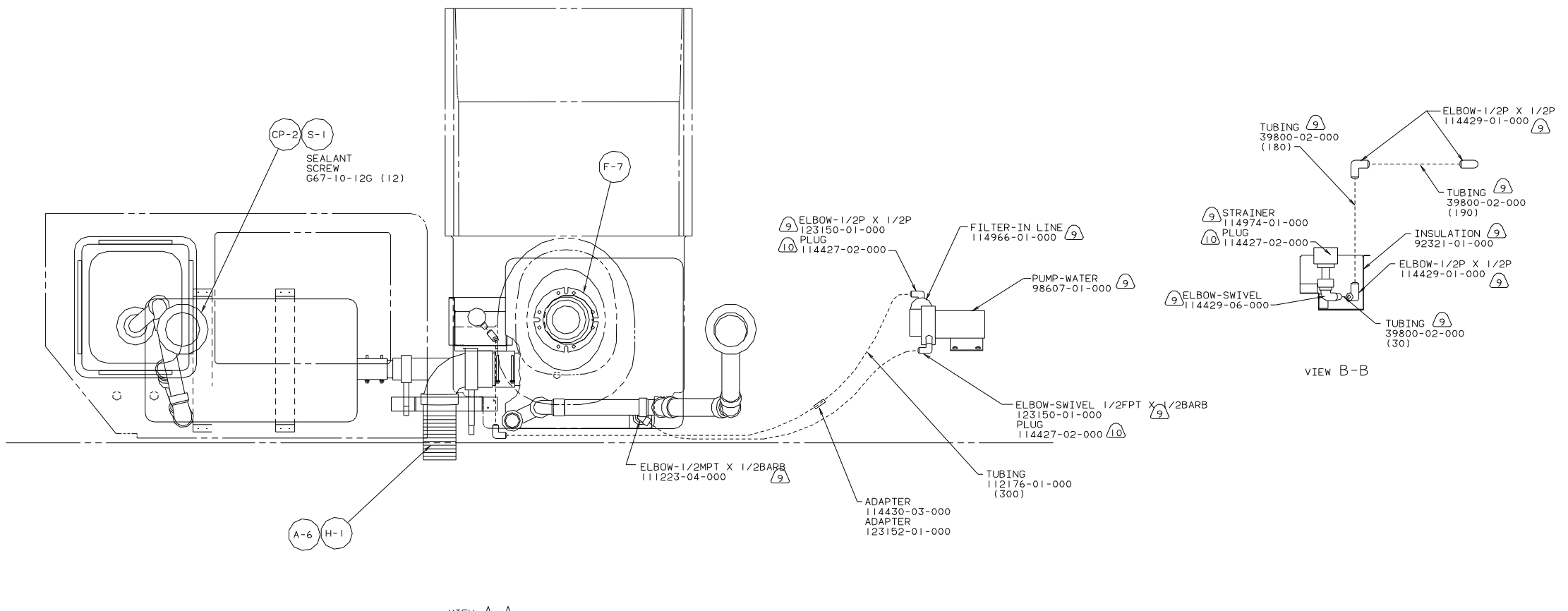


5. EXPOSED PIPE ABOVE ROOF TO BE PAINTED 37163-01-000.
4. ALL EXTERIOR OPENINGS AROUND PIPE TO BE SEALED WITH 69637-01-000.
3. ALL PIPE AND FITTINGS TO BE ASSEMBLED WITH SOLVENT 4020-01-000.
2. SLOPE OF TRAP ARM MUST BE 6 PER 305.
1. SLOPE OF HORIZONTAL PIPING TO BE 6 PER 305 MIN.
10. IA7 SHOWER PACKAGE WITHOUT.
9. IA40 SHOWER PACKAGE.
8. VENT PIPE MUST PROJECT 51 MM MIN AND 63.5 MM MAX ABOVE ROOF FOR PROPER FIT AND FUNCTION.
7. SEE DWG 61607-01-000 FOR INSTALLATION OF GROMMET.
6. FOR CANADIAN UNITS EACH HOLDING TANK SHALL HAVE A CSA APPROVAL STAMPED NEAR THE IAMPO APPROVAL.
13. SECURE PIPES TO CABINET USING WIRE TIE 108046-02-000 AND SCREW G67-10-12U (8).
12. NOT USED ON CANADIAN UNIT.
11. USE SCRAP CLOSED CELL NEOPRENE FROM 77075-01.-02 OR -03 ON BRACKETS FOR VIBRATION DAMPENING.

FOR DRAINAGE CALLOUTS SEE DWG NO. 116229-01-000

COPYRIGHT 2002 WINNEBAGO INDUSTRIES, INC. <b>WINNEBAGO</b> 03 222 FD		MATERIAL:	
DTR	DATE	UNSPECIFIED TOLERANCES ARE:	
CHR	DATE	ANGLE DIM (X) :	+
P E	DATE	ONE-PLACE (X, XX) :	+
M E	DATE	TWO-PLACE (X, XX) :	+
DNR	DATE	THIRD ANGLE PROJECTION	
LAYOUT NO	221R16	TITLE:	DRAINAGE SYSTEM INSTL
DIA #	SCALE: NONE	DO NOT SCALE DIMENSIONS	SIZE DWG NO 141596
ALL DIMENSIONS ARE IN MILLIMETERS		SHEET 1 OF 2	DATE 07/09/02



CP-2 S-1  
SEALANT SCREW  
G67-10-12G (12)

F-7

ELBOW-1/2P X 1/2P  
123150-01-000  
PLUG  
114427-02-000

FILTER-IN LINE  
114966-01-000

PUMP-WATER  
98607-01-000

STRAINER  
114974-01-000  
PLUG  
114427-02-000

INSULATION  
92321-01-000

ELBOW-SWIVEL  
114429-06-000

ELBOW-1/2P X 1/2P  
114429-01-000

TUBING  
39800-02-000  
(30)

VIEW B-B

ELBOW-SWIVEL 1/2FPT X 1/2BARB  
123150-01-000  
PLUG  
114427-02-000

TUBING  
112176-01-000  
(300)

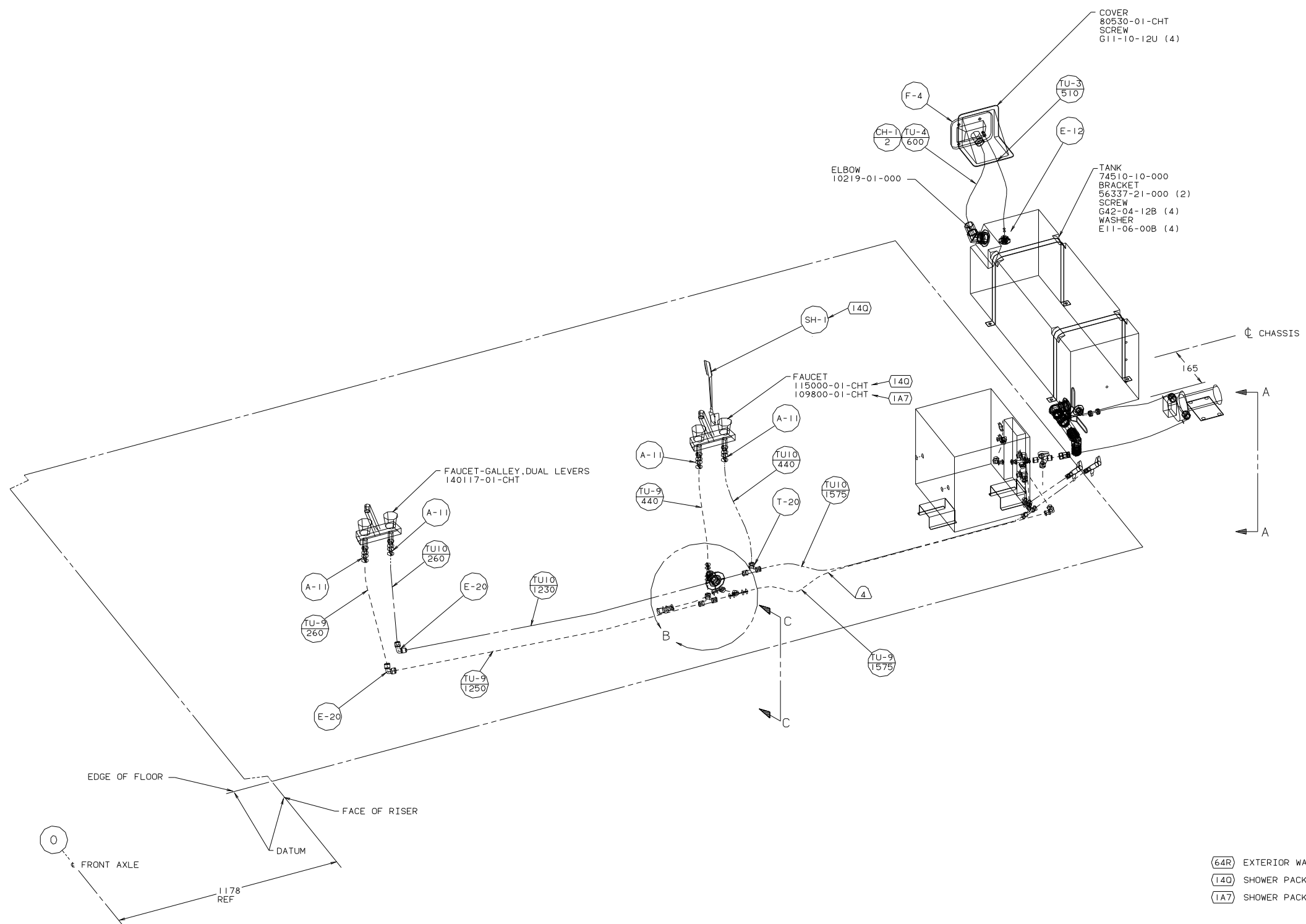
ADAPTER  
114430-03-000  
ADAPTER  
123152-01-000

ELBOW-1/2MPT X 1/2BARB  
111223-04-000

A-6 H-1

VIEW A-A

TITLE: DRAINAGE SYSTEM INSTL	
DO NOT SCALE DRAWING	SIZE: 11x17
SHEET 2 OF 2	DWG NO 141596
DATE: 07/09/02	



- (64R) EXTERIOR WASH STATION
- (140) SHOWER PACKAGE
- (1A7) SHOWER PACKAGE-WITHOUT

X-X  
FOR WATER CALLOUTS SEE DWG NO. 116230-01-000

- 4 WRAP WATER LINES WITH INSULATION 105290-01-000 ANY PLACE THEY ARE IN CONTACT WITH MONITOR AID LINES. FASTEN WITH WIRE TIES.
3. ALL TUBING TO BE SECURED AT 1200 INTERVALS MAXIMUM WITH CLAMP 10495-01-000 OR CLIP 91951-01-000 AND SCREW G67-10-12B.
2. TUBING TO BE INSTALLED WITH SUFFICIENT SLOPE TO PROVIDE DRAINAGE TO NEAREST VALVE.
1. PLASTIC FITTINGS TO BE SEALED WITH SEALANT 84456-01-000

LEGEND	
HOT	-----
COLD	- - - - -

COPYRIGHT 2002 WINNEBAGO INDUSTRIES, INC. **WINNEBAGO** 03 222FD

DTR	DATE	UNSPECIFIED TOLERANCES ARE:	MATERIAL:
CHR	DATE	WHOLE DIM (XX) ± .7	
P E	DATE	ONE-PLACE (X, XX) ± .1	
M E	DATE	TWO-PLACE (X, XX) ± .05	
	DATE	ANGLE	
	DATE	THIRD ANGLE PROJECTION	

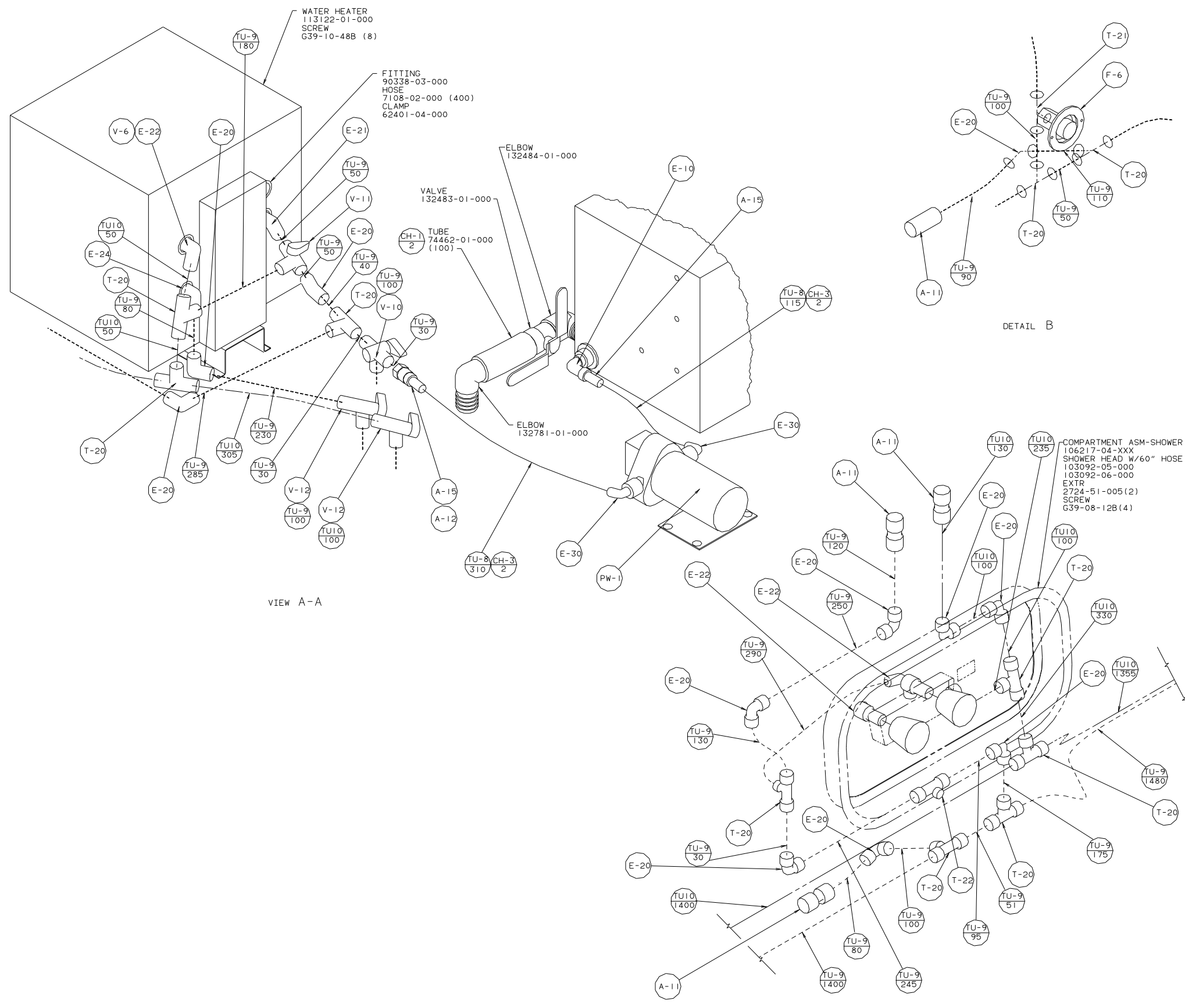
LAYOUT NO: 0C222FD TITLE: WATER SYSTEM INSTL

DIA # SCALE: NONE DO NOT SCALE DRAWINGS SHEET NO: 141142

ALL DIMENSIONS ARE IN MILLIMETERS SHEET 1 OF 2

REF: 133333 c | 07/09/02

NOTES:



VIEW A-A

DETAIL B

VIEW C-C (64R)  
WITH EXTERIOR SHOWER