

8

7

6

5

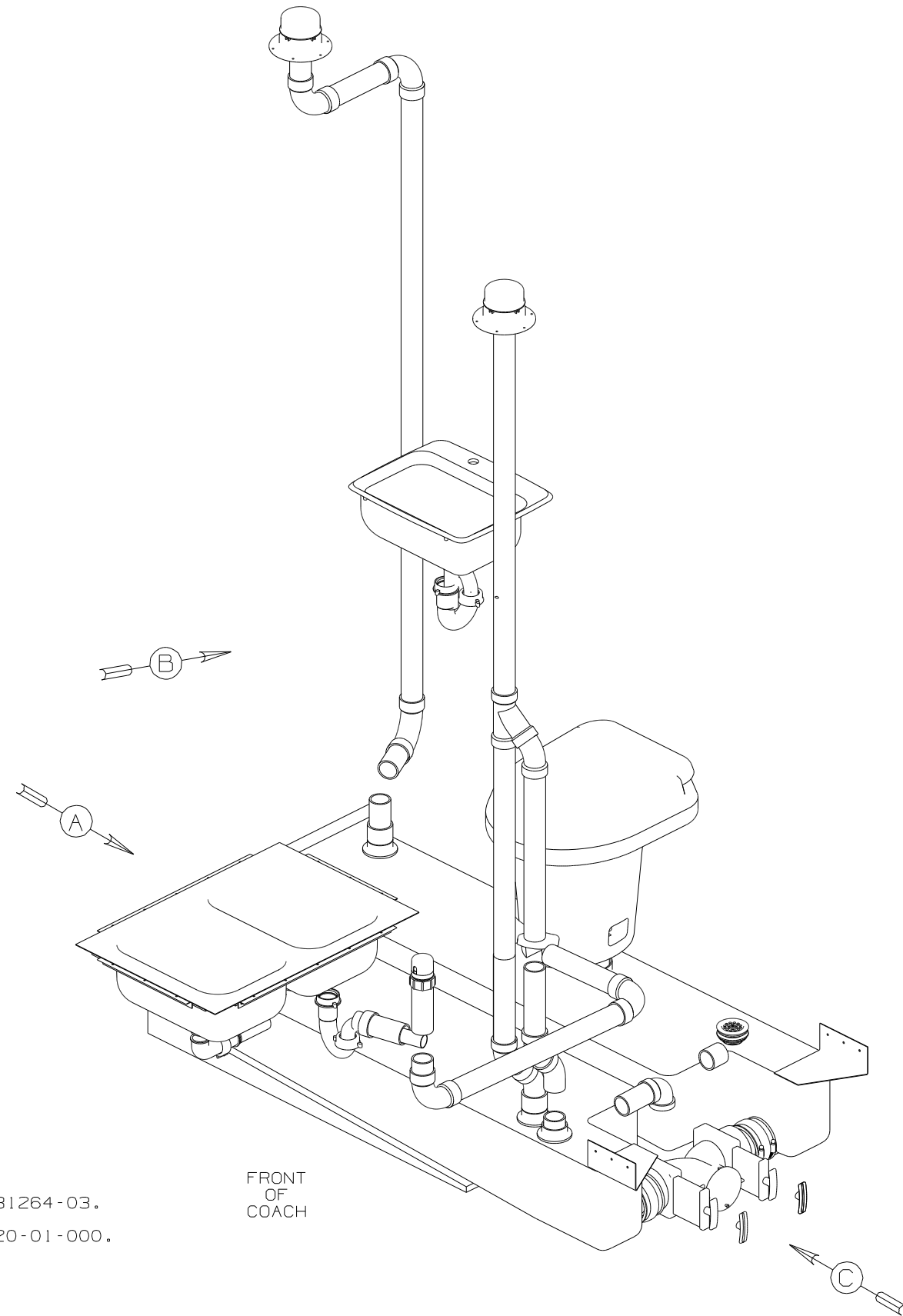
4

3

2

1

RELEASE	REV DATE	DWG NO
A		138950
REV ZONE	REVISION RECORD	DATE



- 7 SECURE VENTS TO FLOOR WITH BRACKET 136878-01-CHT, CLAMP 62401-02-000, SCREW G67-10-12B.
- 6 VENT PIPE MUST PROECT 51 MIN AND 64 MAX ABOVE ROOF FOR PROPER FIT AND FUNCTION.
- 5. SEAL AROUND SHOWER WITH SILICONE.
- 4. ALL EXTERIOR OPENINGS AROUND PIPE TO BE SEALED WITH 131264-03.
- 3. ALL PIPE AND FITTINGS TO BE ASSEMBLED WITH SOLVENT 4020-01-000.
- 2. SLOPE OF TRAP ARM MUST BE 6 PER 305 mm.
- 1. SLOPE OF HORIZONTAL PIPING TO BE 6 PER 305 mm.

NOTES:

FRONT OF COACH

(X-X)
FOR DRAINAGE CALLOUTS SEE DWG NO 116229-01-000

WINNEBAGO		COPYRIGHT 2003 WINNEBAGO INDUSTRIES, INC.	
DFT	ORIG. DATE	ALL DIMENSIONS ARE IN MILLIMETERS	
CHKR		FIRST USED	
P.E.		02 221B	
M.E.		UNSPECIFIED TOLERANCES ARE:	
DSNR		MATERIAL:	
		WHOLE DIM (X) :	7
		ONE-PLACE (X.X) :	
		TWO-PLACE (X.XX) :	
		ANGLE :	
THIRD ANGLE PROJECTION		DO NOT SCALE DRAWING	
TITLE:		DRAINAGE SYSTEM INSTL	
SHEET 1 OF 3	PART NO	138950	
REF:	1 04/24/03		

8

7

6

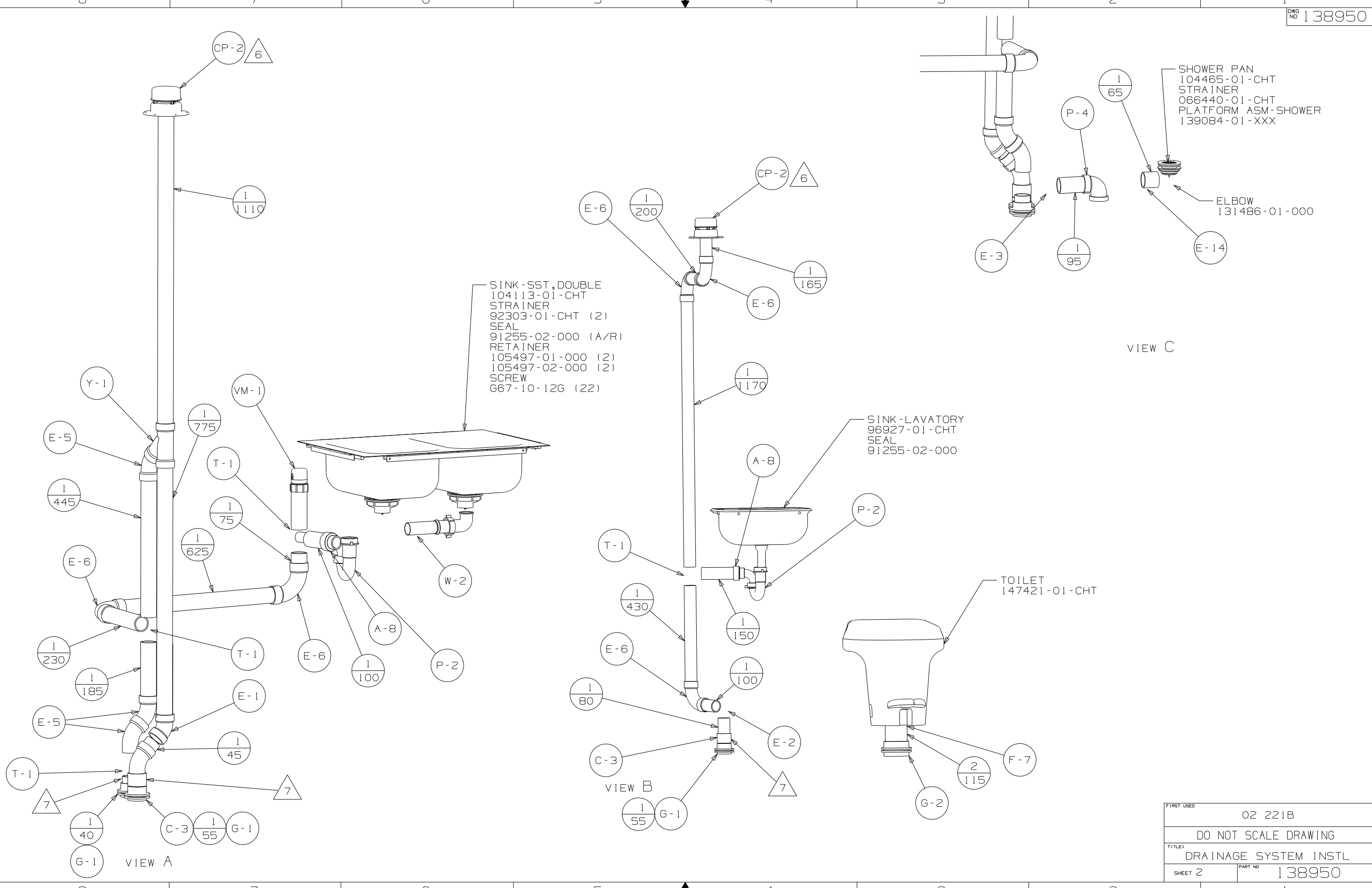
5

4

3

2

1



SINK - SST, DOUBLE
 104113-01-CHT
 STRAINER
 92303-01-CHT (2)
 SEAL
 91255-02-000 (A/R)
 RETAINER
 105497-01-000 (2)
 105497-02-000 (2)
 SCREW
 667-10-12G (22)

SHOWER PAN
 104465-01-CHT
 STRAINER
 066440-01-CHT
 PLATFORM ASM-SHOWER
 139084-01-XXX

VIEW C

VIEW B

VIEW A

FIRST USED	02 221B
DO NOT SCALE DRAWING	
TITLE	DRAINAGE SYSTEM INSTL
SHEET 2	PART NO 138950

SUPPORT-HOLDING TANK
139696-01-XXX

FOAM-SUPPORT
130223-13-000

TANK-HOLDING
139259-02-CHT

BRACKET ASM
139691-01-CHT

TANK-HOLDING
139258-02-CHT

BRACKET ASM
139691-02-CHT

N-3

C-2

2/60

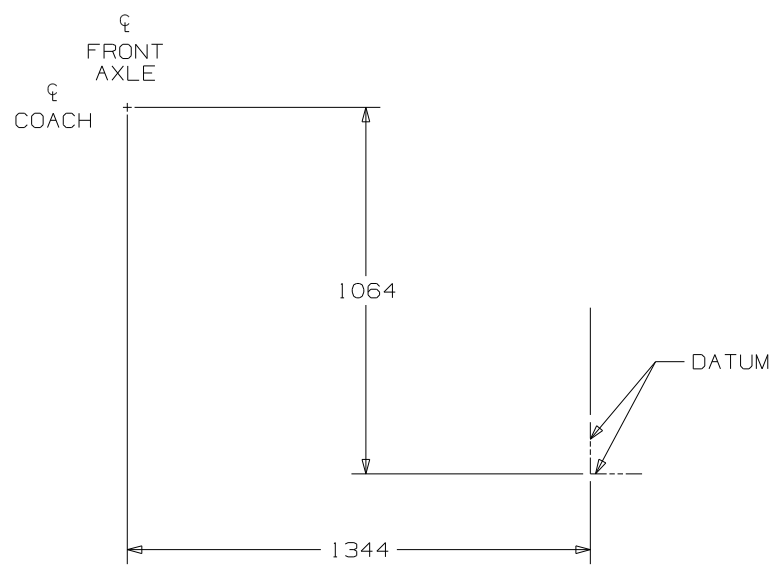
V-11

H-1

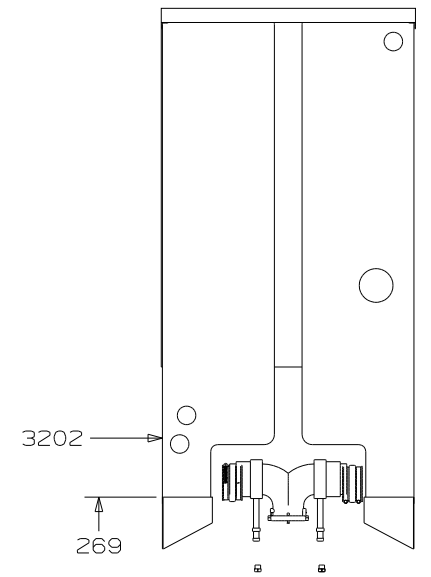
C-2

N-3

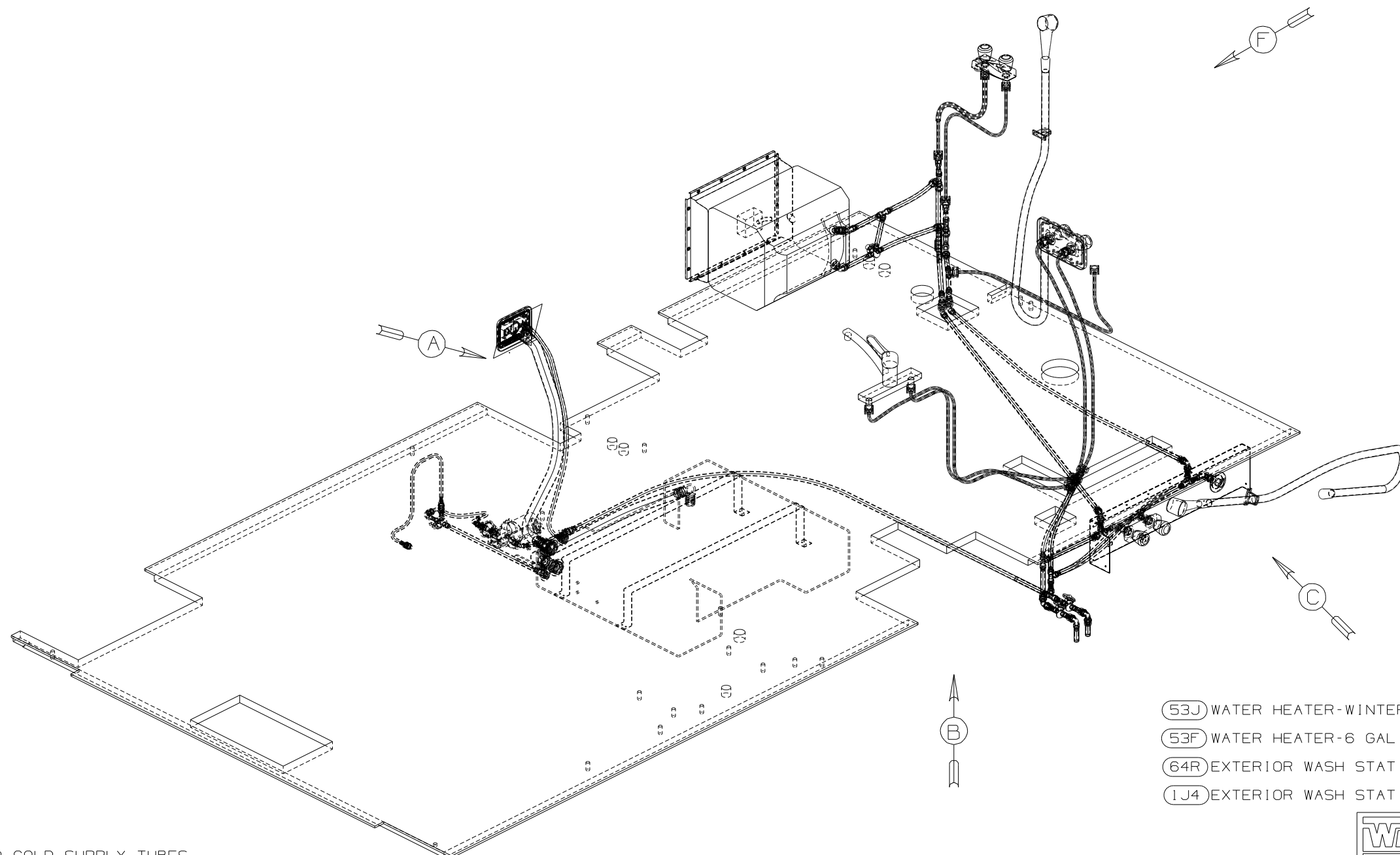
VIEW C



VIEW D



FIRST USED	02 221B
TITLE	DO NOT SCALE DRAWING DRAINAGE SYSTEM INSTL
SHEET 3	PART NO 138950

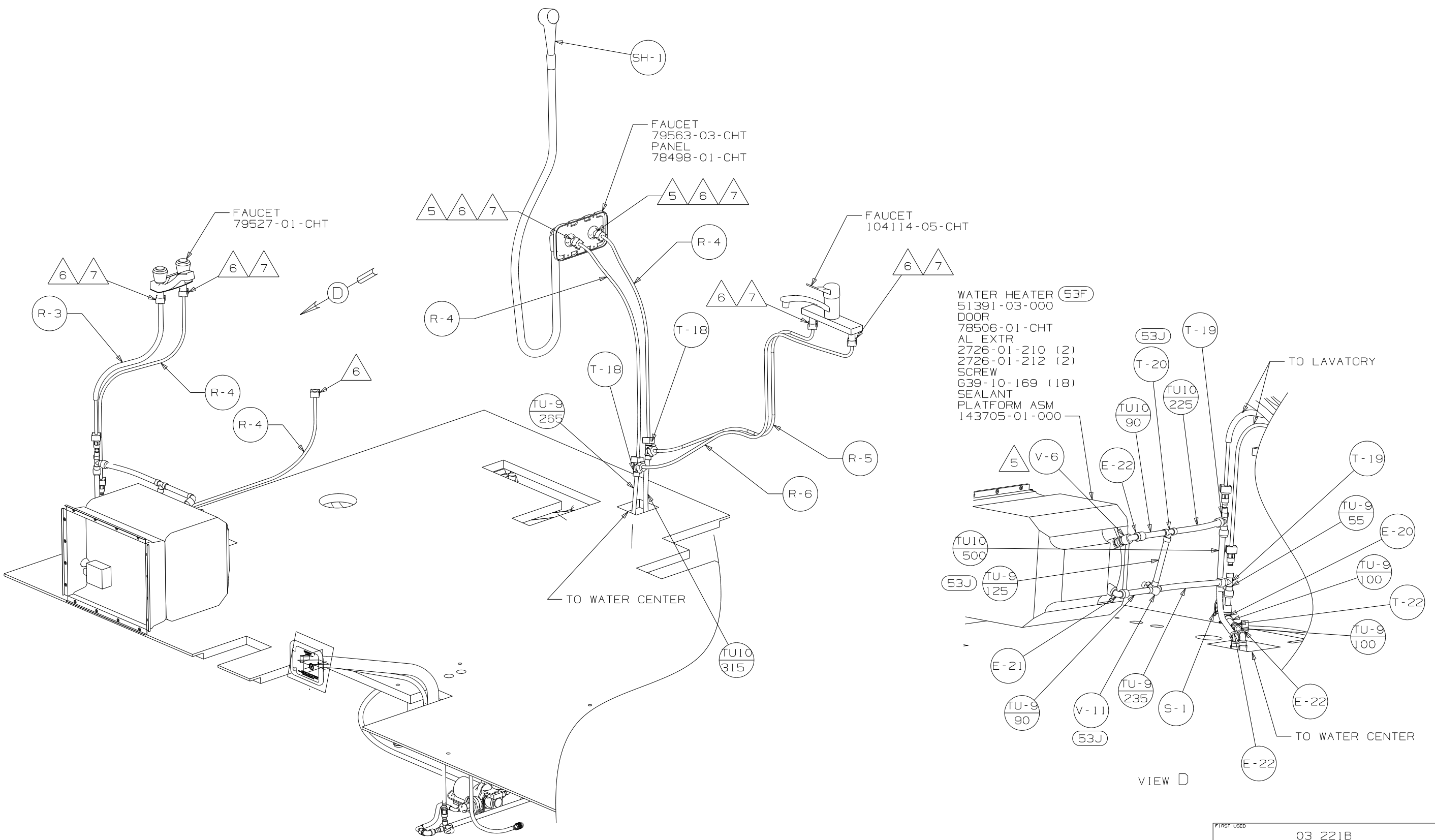


- (53J) WATER HEATER-WINTERIZATION BY-PASS VALVE
- (53F) WATER HEATER-6 GAL ELEC IGN
- (64R) EXTERIOR WASH STATION
- (1J4) EXTERIOR WASH STATION-WITHOUT

- NOTES:
- 7 LABEL THE HOT AND COLD SUPPLY TUBES.
 - 6 TAPE FITTING TO TUBE, BEFORE CABINET SET, TO PREVENT FITTING FROM MOVING.
 - 5 ADD TEFLON TAPE 10405-01-000 TO FITTING.
 - 4 ADD TEFLON TAPE 10405-03-000 TO FITTING.
3. ALL TUBING TO BE SECURED AT 1200 INTERVALS MAXIMUM WITH CLAMP 10495-01-000 OR CLIP 9151-01-000 AND SCREW 667-10-12B.
 2. TUBING TO BE INSTALLED WITH SUFFICIENT SLOPE TO PROVIDE DRAINAGE TO NEAREST VALVE.
 1. PLASTIC FITTINGS TO BE SEALED WITH SEALANT 84456-01-000.

WINNEBAGO		COPYRIGHT 2003 WINNEBAGO INDUSTRIES, INC.	
DFTR	ORIG. DATE	ALL DIMENSIONS ARE IN MILLIMETERS	
CHKR		FIRST USED	
P.E.		03 221B	
M.E.		UNSPECIFIED TOLERANCES ARE:	
DSNR		MATERIAL:	
		WHOLE DIM (X)	: 7
		ONE-PLACE (X.X)	:
		TWO-PLACE (X.XX)	:
		ANGLE	:
THIRD ANGLE PROJECTION		DO NOT SCALE DRAWING	
TITLE: WATER SYSTEM INSTL			
SHEET 1 OF 4		PART NO 141865	
REF: 138953 02/27/03			

(X-X)
FOR
WATER
CALLOUTS
SEE DWG NO
116230-01-000

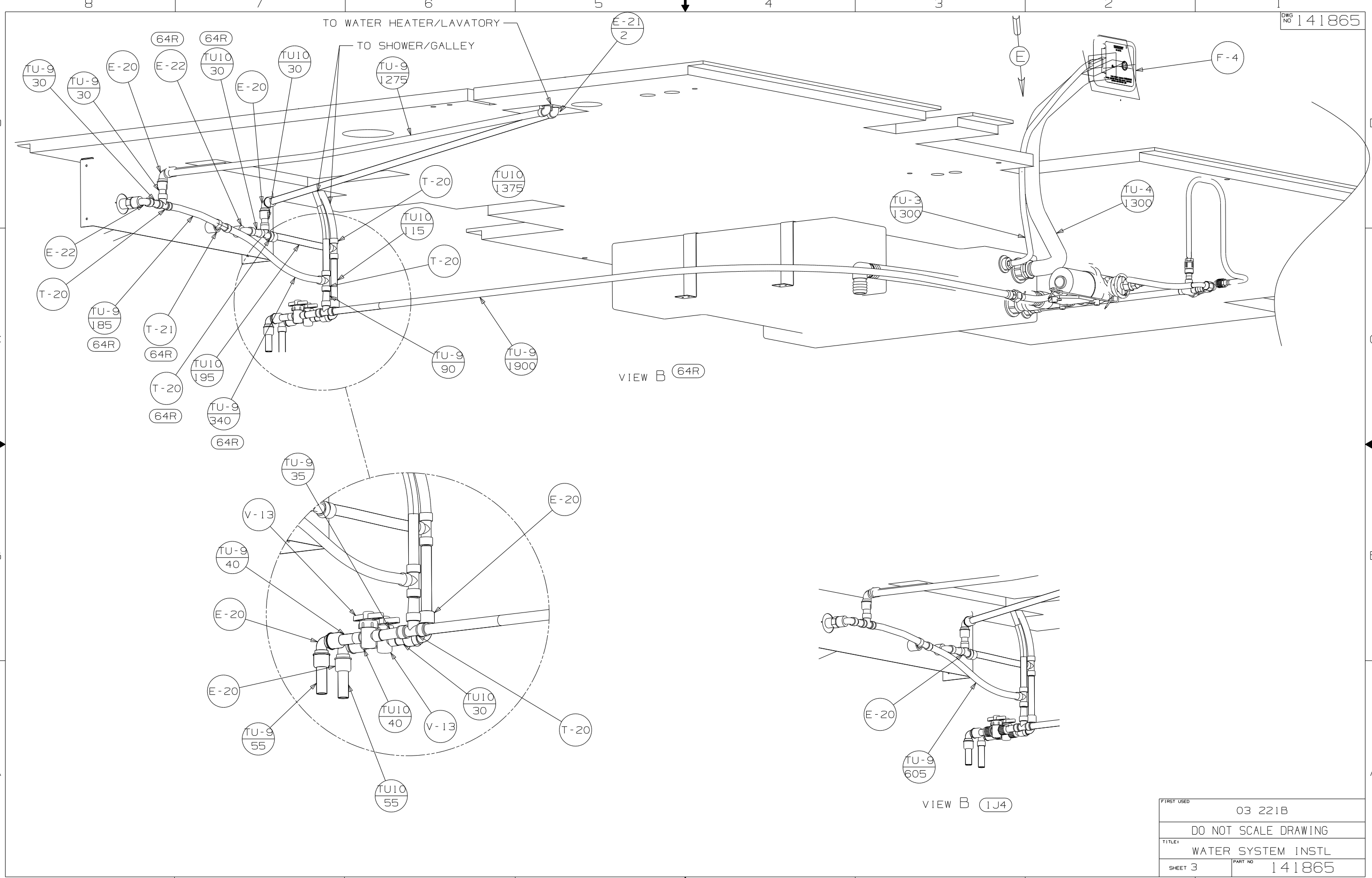


- WATER HEATER (53F)
- 51391-03-000
- DOOR
- 78506-01-CHT
- AL EXTR
- 2726-01-210 (2)
- 2726-01-212 (2)
- SCREW
- 639-10-169 (18)
- SEALANT
- PLATFORM ASM
- 143705-01-000

VIEW A

VIEW D

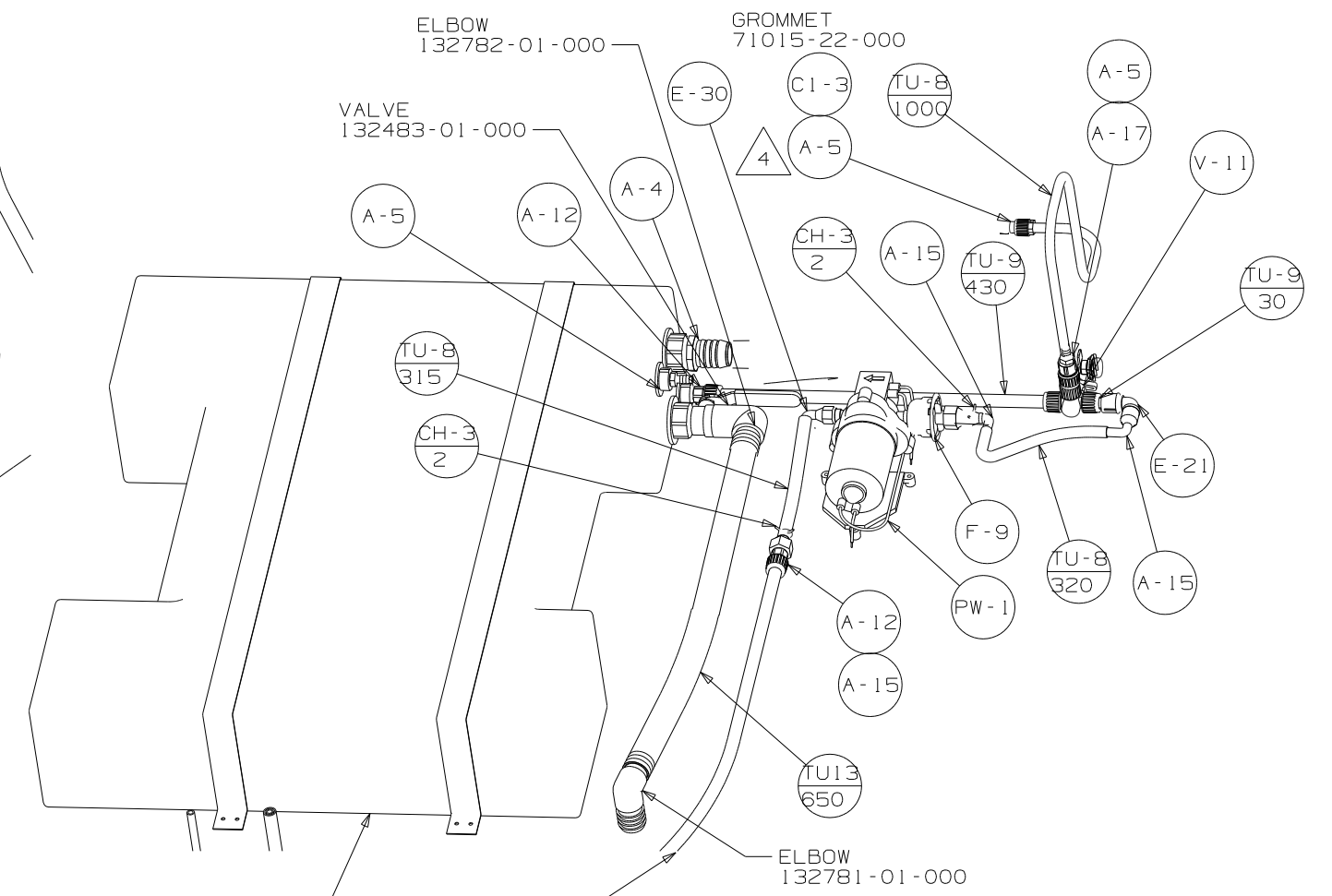
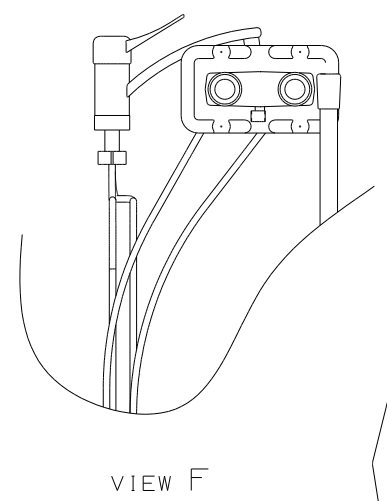
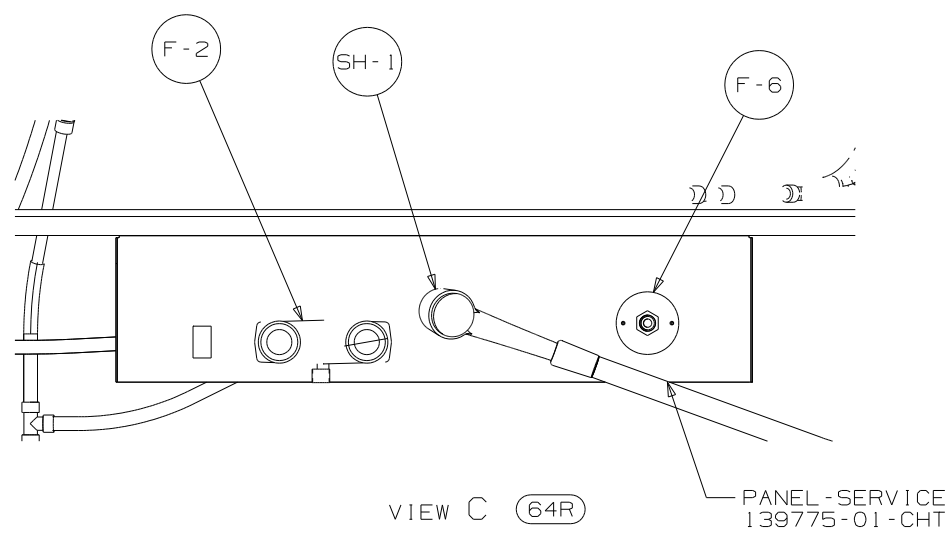
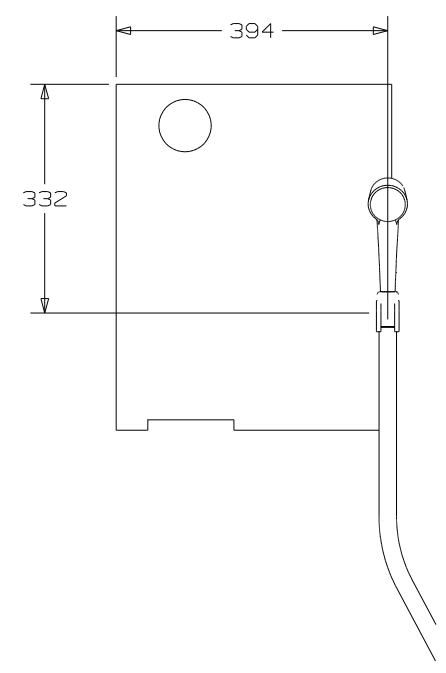
FIRST USED	03 221B
TITLE	DO NOT SCALE DRAWING
TITLE	WATER SYSTEM INSTL
SHEET 2	PART NO 141865



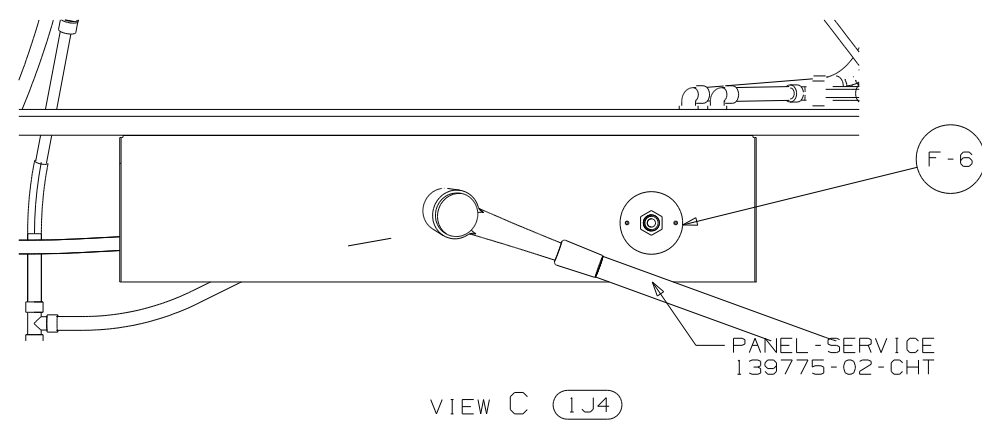
VIEW B (64R)

VIEW B (1J4)

FIRST USED	03 221B
DO NOT SCALE DRAWING	
TITLE	WATER SYSTEM INSTL
SHEET 3	PART NO 141865



TANK - WATER, 20 GAL
 128785-04-000
 STRAP - TANK
 139774-01-CHT (2)



FIRST USED	03 221B
TITLE	DO NOT SCALE DRAWING
	WATER SYSTEM INSTL
SHEET 4	PART NO 141865