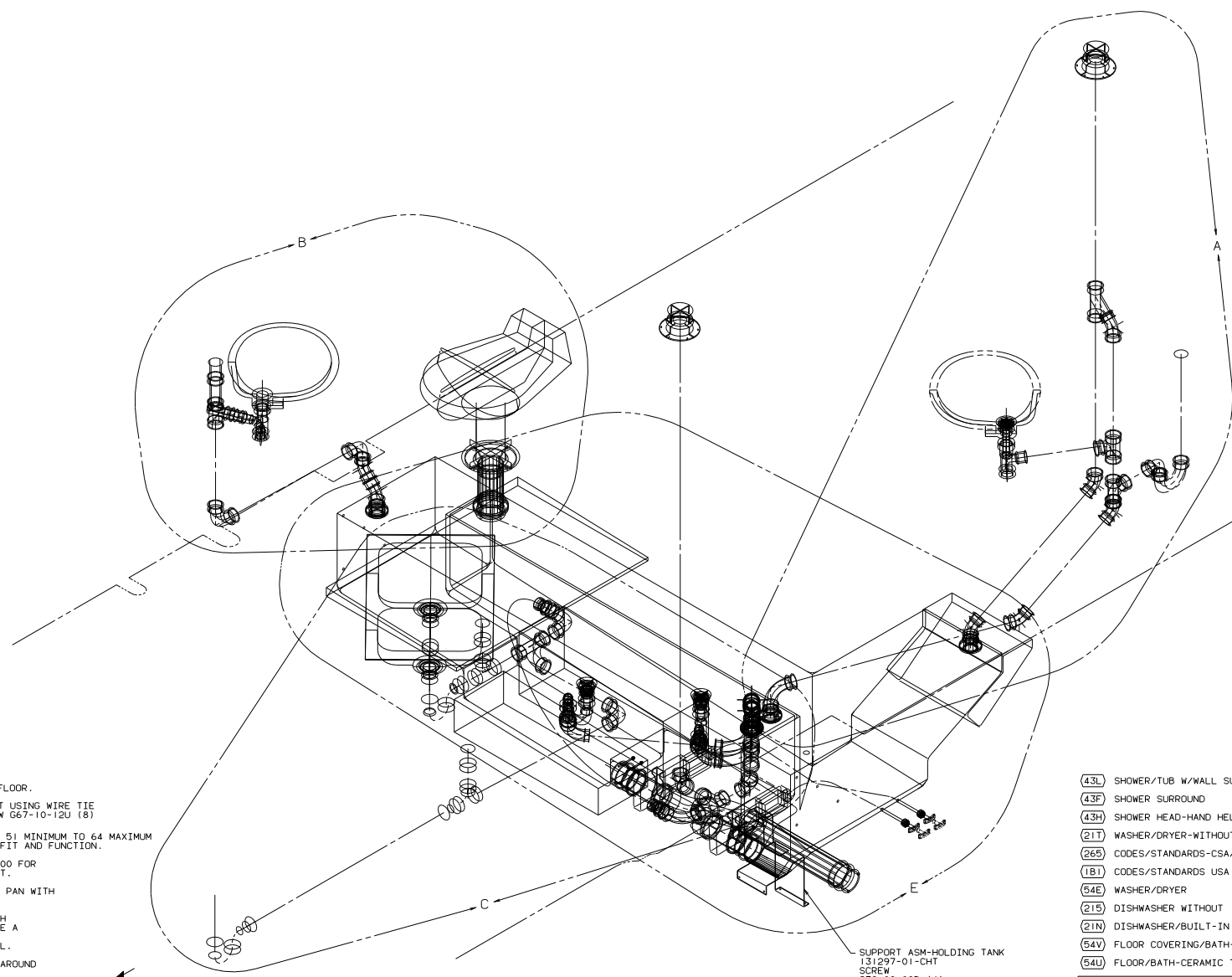


DWG NO	MODEL
137724-01	040J
137724-02	040JD
137724-03	040WD



- ⑫ USE WITH 040J.
 - ⑪ USE WITH 040JD.
 - ⑩ SECURE DRAIN TUBES TO FLOOR.
 - ⑨ SECURE PIPES TO CABINET USING WIRE TIE 108046-02-000 AND SCREW G67-10-12U (8)
 - ⑧ VENT PIPE MUST PROJECT 51 MINIMUM TO 64 MAXIMUM ABOVE ROOF FOR PROPER FIT AND FUNCTION.
 - ⑦ SEE DRAWING 61607-01-000 FOR INSTALLATION OF GROMMET.
 - ⑥ SEAL ALL AROUND SHOWER PAN WITH SILICONE 78474-01-CHT.
5. FOR CANADIAN UNITS EACH HOLDING TANK SHALL HAVE A CSA APPROVAL STAMPED NEAR THE IAMPO APPROVAL.
4. ALL EXTERIOR OPENINGS AROUND PIPE TO BE SEALED WITH 69637-01-000
3. ALL PIPE AND FITTINGS TO BE ASSEMBLED WITH SOLVENT 4620-01-000
2. SLOPE OF TRAP MUST BE 6 PER 300 MINIMUM.
1. SLOPE OF HORIZONTAL PIPING TO BE 6 PER 300 MINIMUM.

- ④3L SHOWER/TUB W/WALL SURROUND
- ④3F SHOWER SURROUND
- ④3H SHOWER HEAD-HAND HELD
- ②1T WASHER/DRYER-WITHOUT
- ②6S CODES/STANDARDS-CSA/CMVSS
- ①B1 CODES/STANDARDS USA
- ⑤4E WASHER/DRYER
- ②1S DISHWASHER WITHOUT
- ②1N DISHWASHER/BUILT-IN
- ⑤4V FLOOR COVERING/BATH-VINYL
- ⑤4U FLOOR/BATH-CERAMIC TILE

SUPPORT ASM-HOLDING TANK
 131297-01-CHT
 SCREW
 639-08-088 (4)

COMPONENT		DATE		UNSPECIFIED TOLERANCES ARE:		MATERIAL	
QTY	DATE	WHOLE DIM (IN)	FRACTION	ONE-PLACE (IN.X)	ANGLE	ONE-PLACE (IN.X)	ANGLE
CHG	DATE	DATE	DATE	DATE	DATE	DATE	DATE
REV	DATE	DATE	DATE	DATE	DATE	DATE	DATE
DATE	DATE	DATE	DATE	DATE	DATE	DATE	DATE

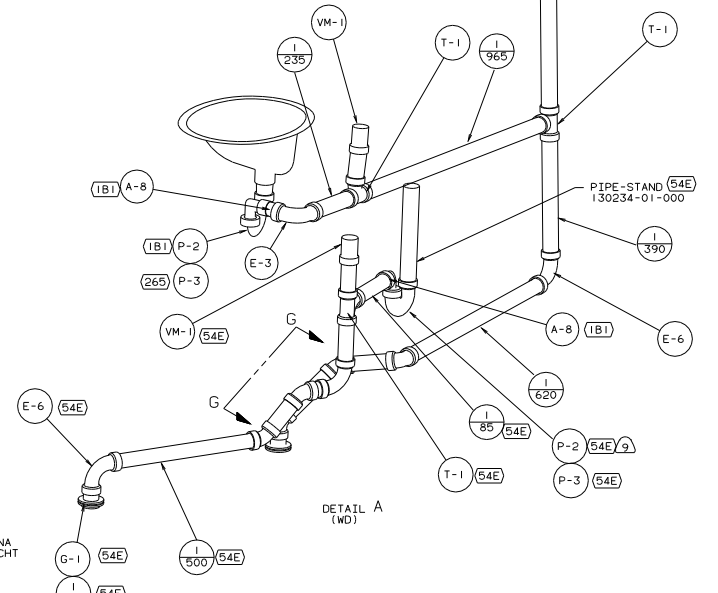
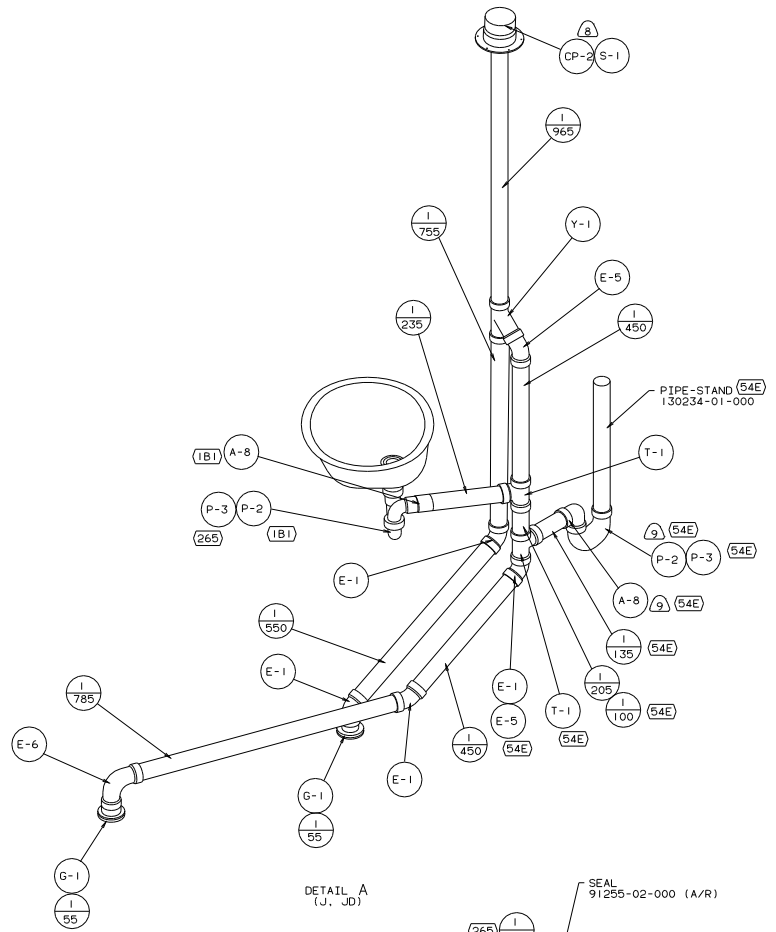
WINNERACO INDUSTRIES, INC. 02 040J

FOR DRAINAGE CALLOUTS SEE DWG NO. 116229-01-000

DRAINAGE SYSTEM INSTL

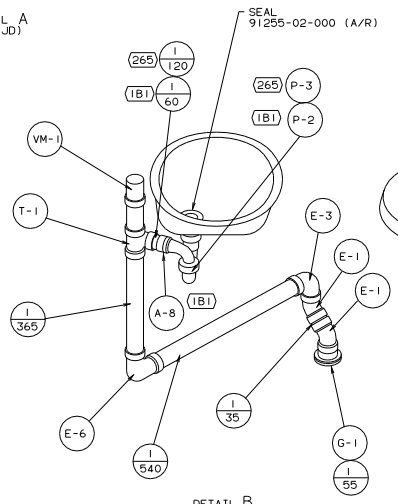
137724

(X-X)

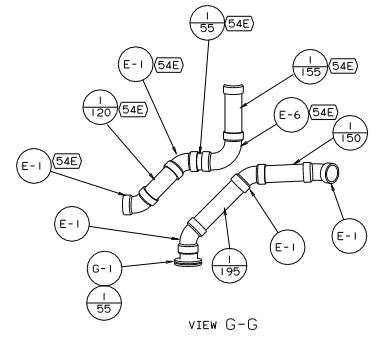
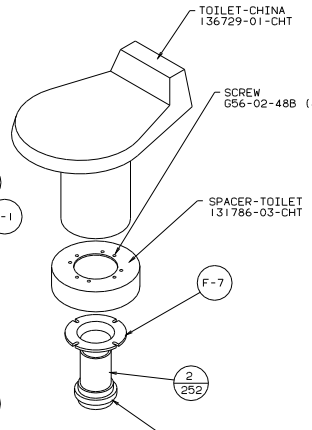


DETAIL A
(J. JD)

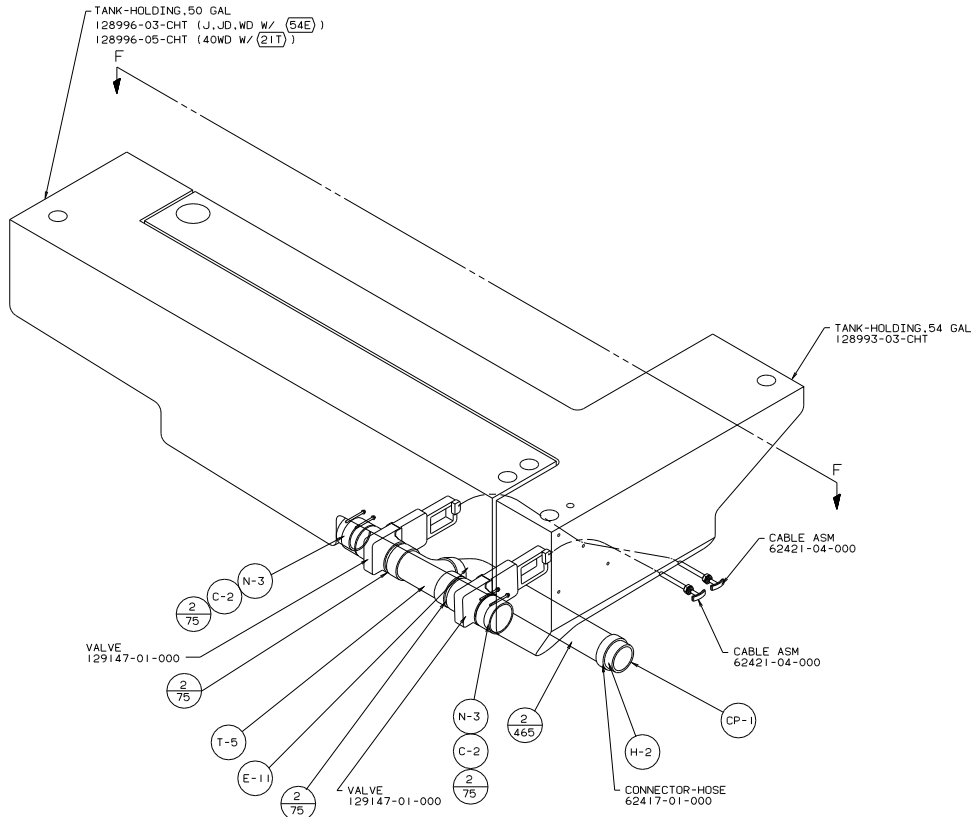
DETAIL A
(WD)



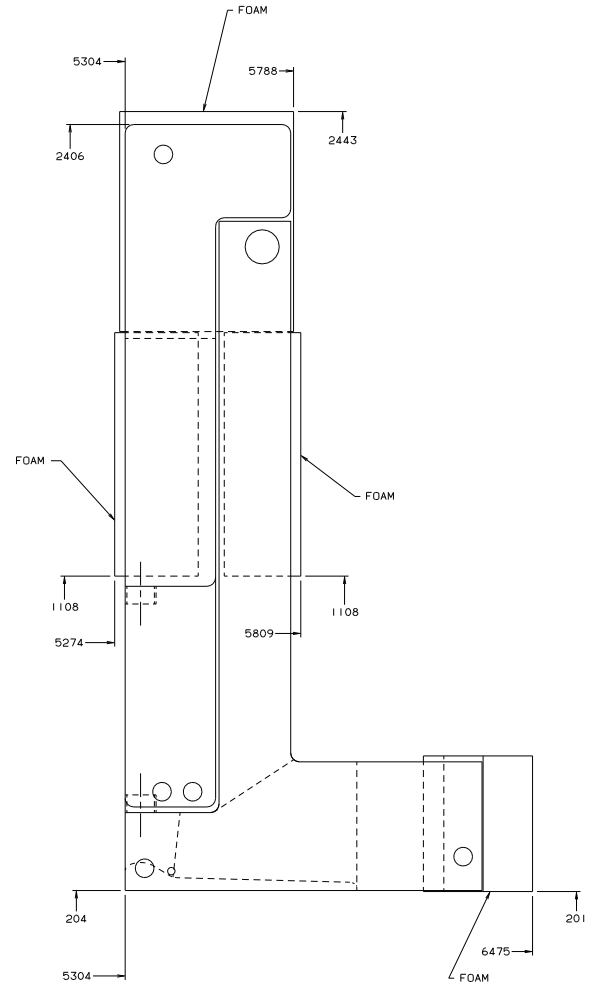
DETAIL B



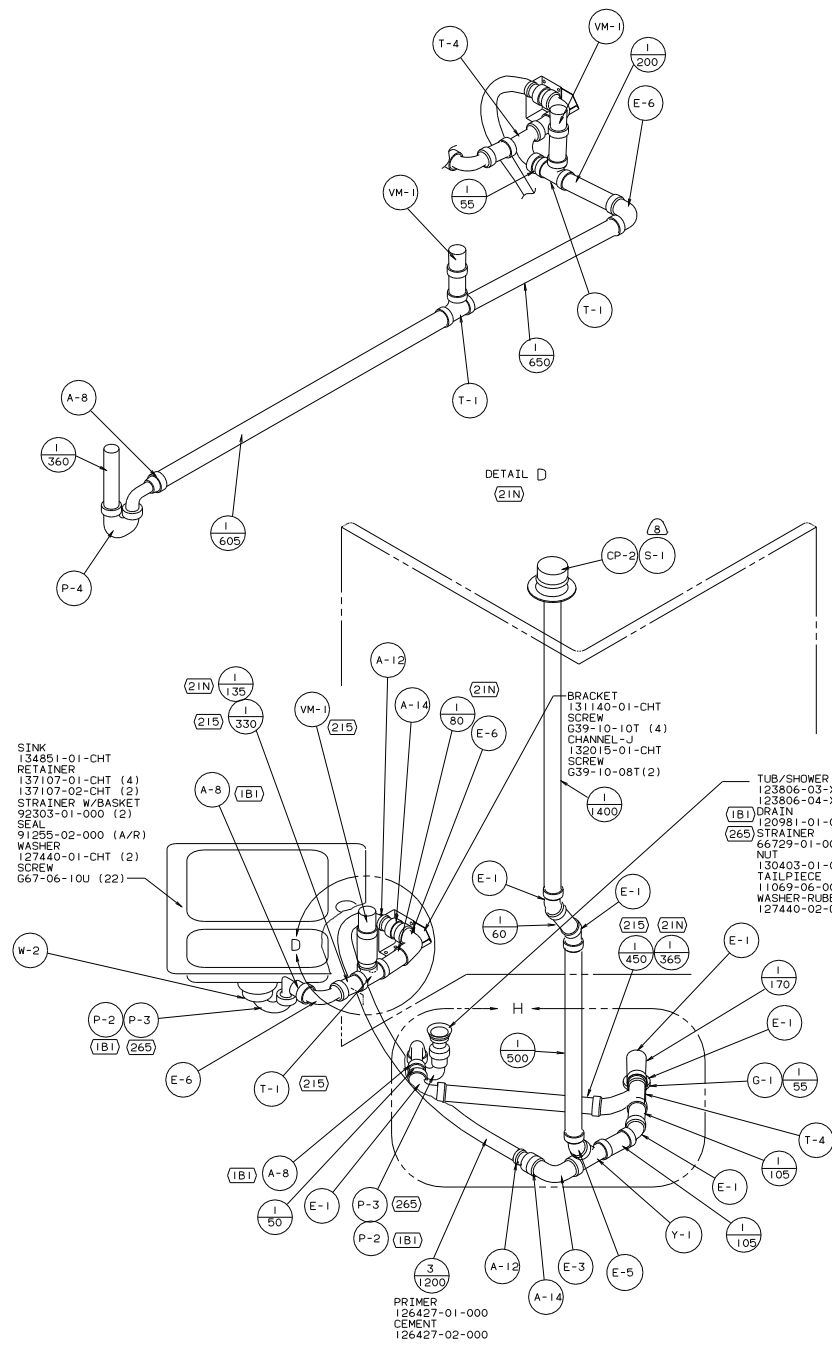
VIEW G-G



DETAIL E



VIEW F-F



DETAIL D (21N)

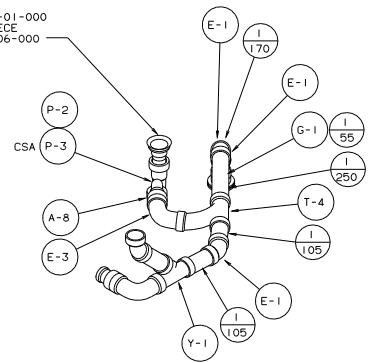
DETAIL C (215) (43)

- SINK
- 134851-01-CHT
- RETAINER
- 137107-01-CHT (4)
- 137107-02-CHT (2)
- STRAINER W/BASKET
- 92303-01-000 (2)
- SEAL
- 91255-02-000 (A/R)
- WASHER
- 127440-01-CHT (2)
- SCREW
- 667-06-10U (22)

- BRACKET
- I 31140-01-CHT
- SCREW
- I 639-10-10T (4)
- CHANNEL-J
- I 132015-01-CHT
- SCREW
- I 639-10-08T (2)

- TUB/SHOWER INSTL-ENCLOSURE
- I 123806-03-XXX (JD,WD)
- I 123806-04-XXX (J)
- (I 8) DRAIN
- I 120981-01-000
- (I 265) STRAINER
- I 66729-01-000
- NUT
- I 130403-01-000
- TAILPIECE
- I 11069-06-000
- WASHER-RUBBER
- I 127440-02-CHT

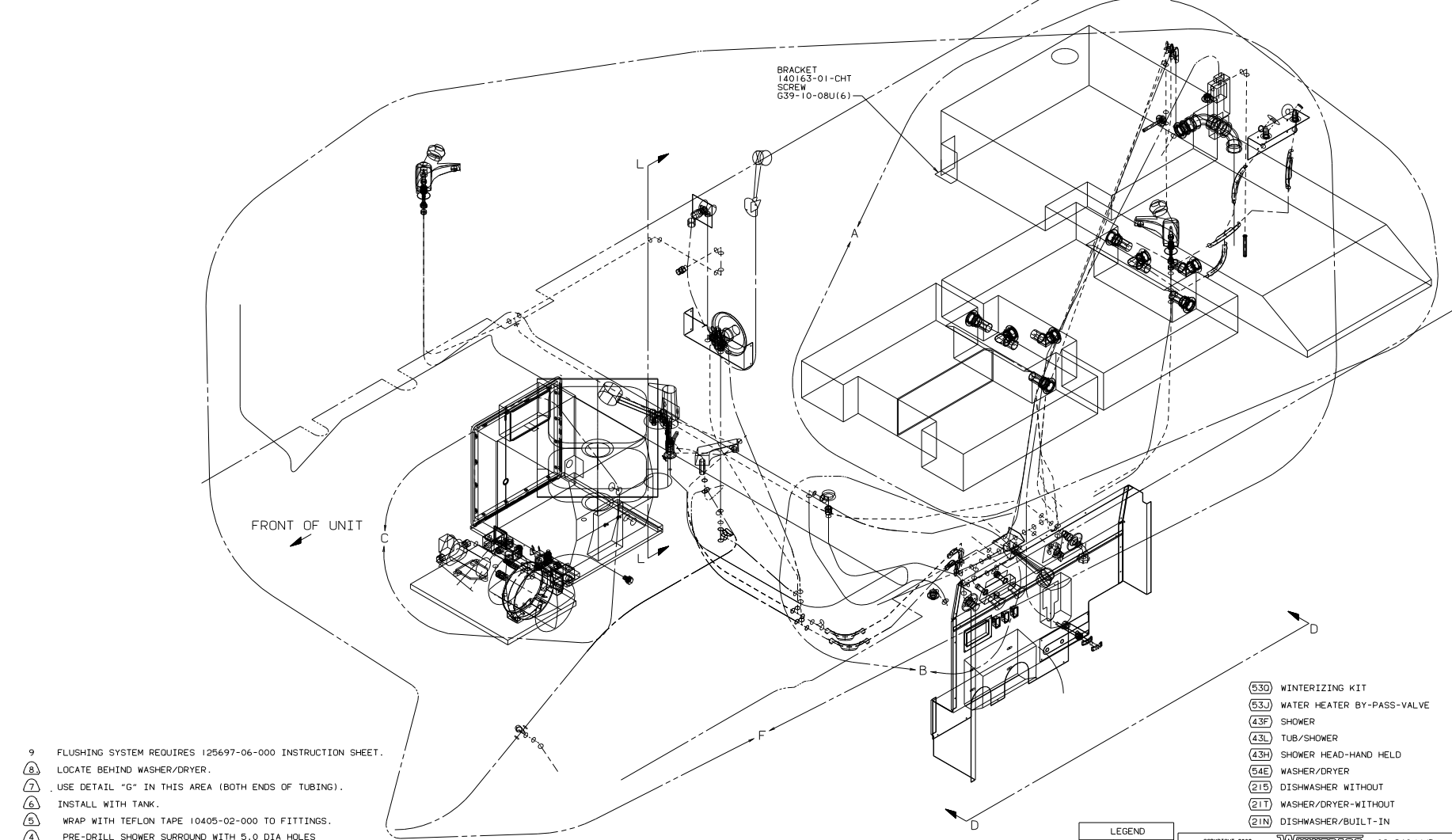
- SHOWER COMPL
- I 136561-01-XXX (40JD,WD)
- I 136561-02-XXX (40J)
- STRAINER
- I 66440-01-000
- GASKET-FOAM
- I 132376-01-CHT
- NUT
- I 130403-01-000
- TAILPIECE
- I 11069-06-000



DETAIL H (43F)

DWG NO	MODEL
137721-01	040J
137721-02	040JD
137721-03	040WD
137721-04	040E

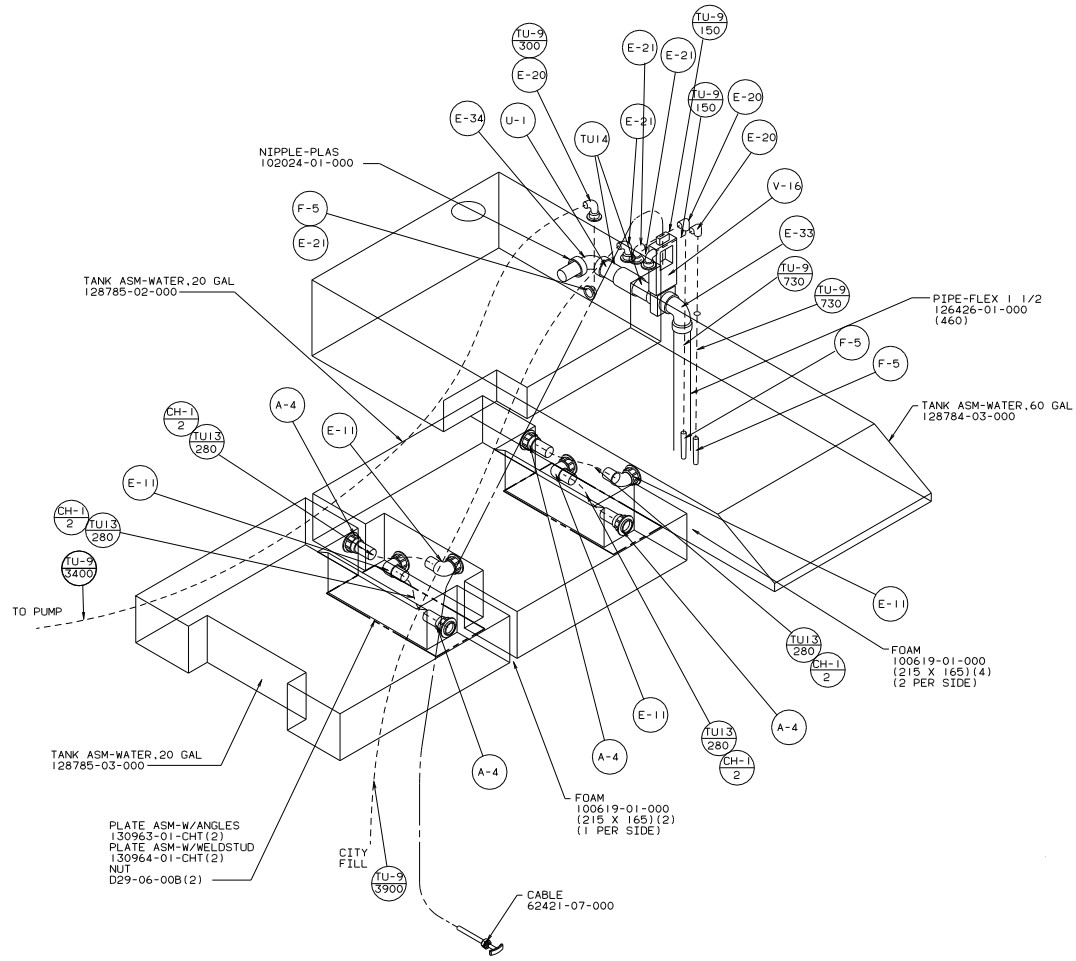
RELEASE DATE 137721
 REV AL DATE OF THIS SHEET
 REVISION RECORD DATE BY PR-SPG



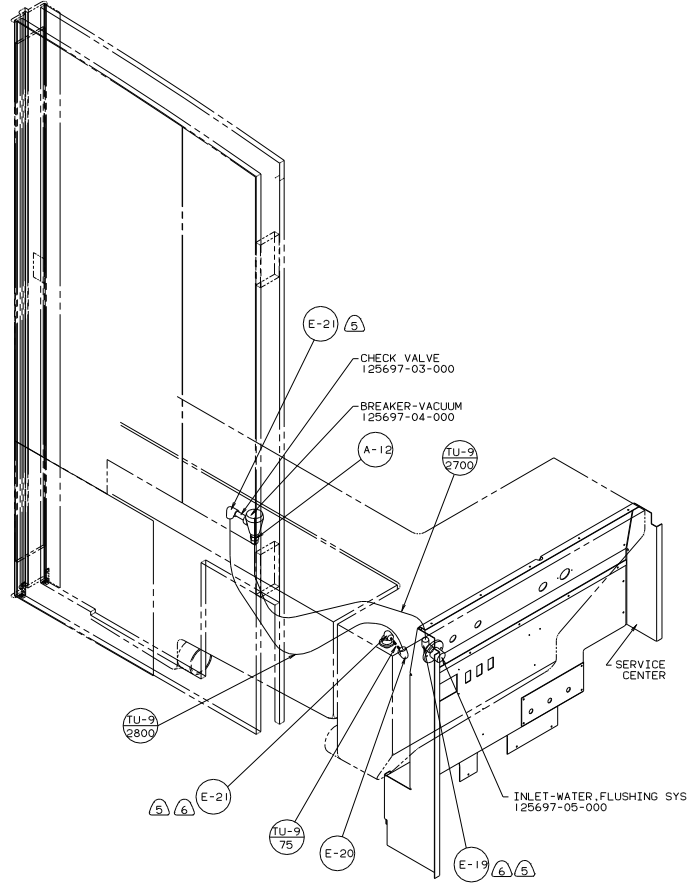
- 9 FLUSHING SYSTEM REQUIRES 125697-06-000 INSTRUCTION SHEET.
- LOCATE BEHIND WASHER/DRYER.
- USE DETAIL "G" IN THIS AREA (BOTH ENDS OF TUBING).
- INSTALL WITH TANK.
- WRAP WITH TEFLON TAPE 10405-02-000 TO FITTINGS.
- PRE-DRILL SHOWER SURROUND WITH 5.0 DIA HOLES USING MOUNTING BRACKET AS A TEMPLATE.
3. ALL TUBING TO BE SECURED AT 1200 INTERVALS MAXIMUM WITH CLAMP 10495-01-000 OR CLIP 91951-01-000 AND SCREW G67-10-12B.
2. TUBING TO BE INSTALLED WITH SUFFICIENT SLOPE TO PROVIDE DRAINAGE TO NEAREST VALVE.
1. PLASTIC FITTINGS TO BE SEALED WITH SEALANT 84456-01-000.

NOTES:

LEGEND		CORVEX WEIGHT 2002			WINNERACO INDUSTRIES, INC. WINNERACO 02 040J/JD	
HOT	-----	QTY	DATE	UNSPECIFIED TOLERANCES ARE:		
COLD	-----	CHDR	DATE	FR. DR. DR. DR. DR. DR.		
			DATE	1/2 PL. DR. DR. DR. DR. DR.		
			DATE	1/2 PL. DR. DR. DR. DR. DR.		
			DATE	1/2 PL. DR. DR. DR. DR. DR.		
			DATE	1/2 PL. DR. DR. DR. DR. DR.		
			DATE	1/2 PL. DR. DR. DR. DR. DR.		
			DATE	1/2 PL. DR. DR. DR. DR. DR.		
			DATE	1/2 PL. DR. DR. DR. DR. DR.		
			DATE	1/2 PL. DR. DR. DR. DR. DR.		
FOR WATER CALLOUTS SEE DWG NO. 116230-01-000			<div style="display: flex; justify-content: space-between;"> LANPT 040JD TITLE: WATER SYSTEM INSTL </div> <div style="display: flex; justify-content: space-between;"> NO. 1 SHEET 1 E 9 </div>			
(X-X)		REF: 135145 S I 137721				



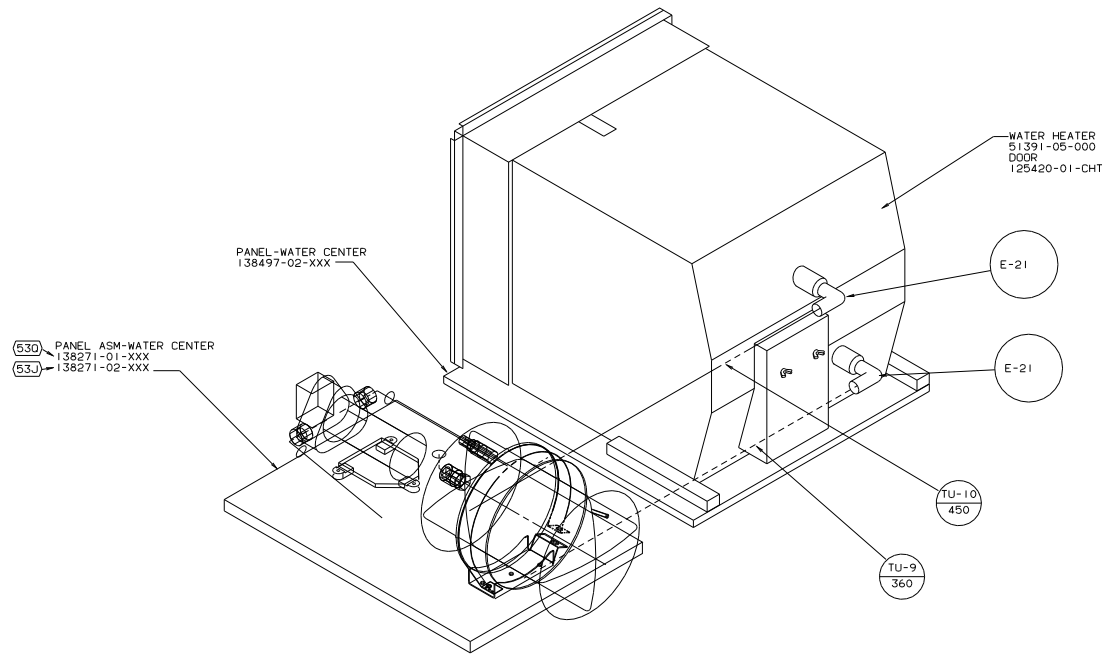
DETAIL A



DETAIL B
FLUSHING SYSTEM

02 Q40J, JD, WD, E

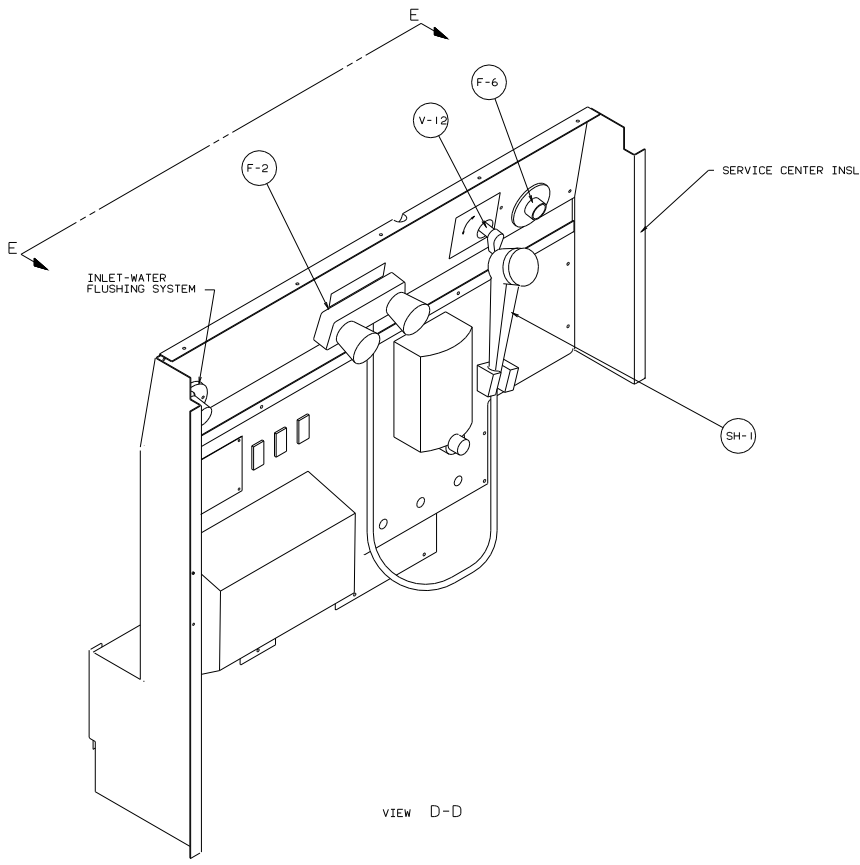
TITLE		WATER SYSTEM INSTL	
30 NET SCALE DRAWING	SIZE	DATE	137721
SHEET 2	OF 9	1 E	



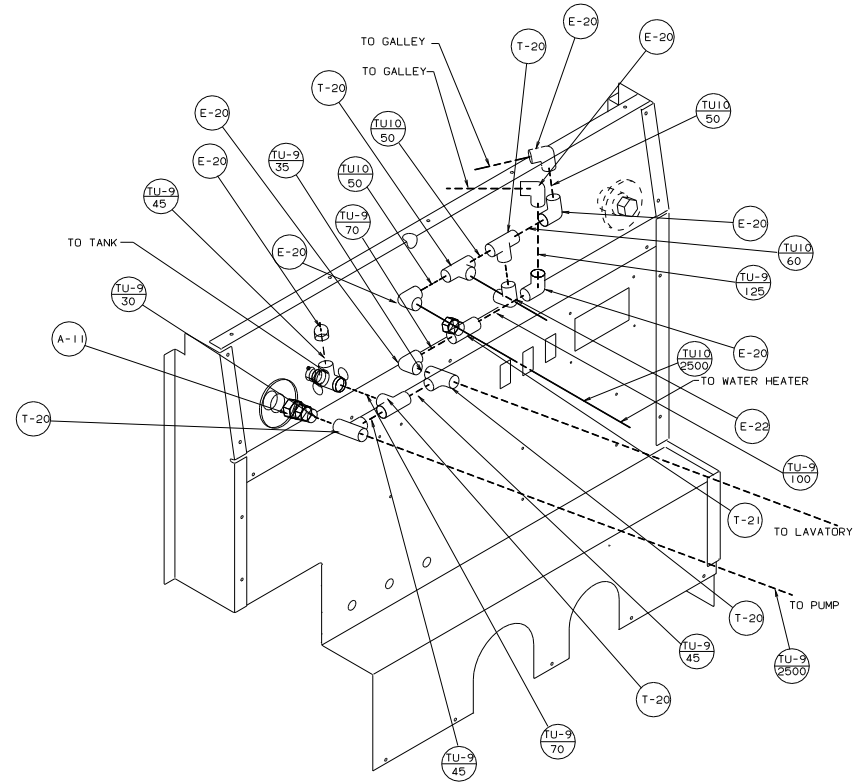
DETAIL C

02 Q40J, 4D, WD, E

TITLE: WATER SYSTEM INSTL	
DO NOT SCALE DRAWING	DATE
SHEET 3 of 9	1 E 137721



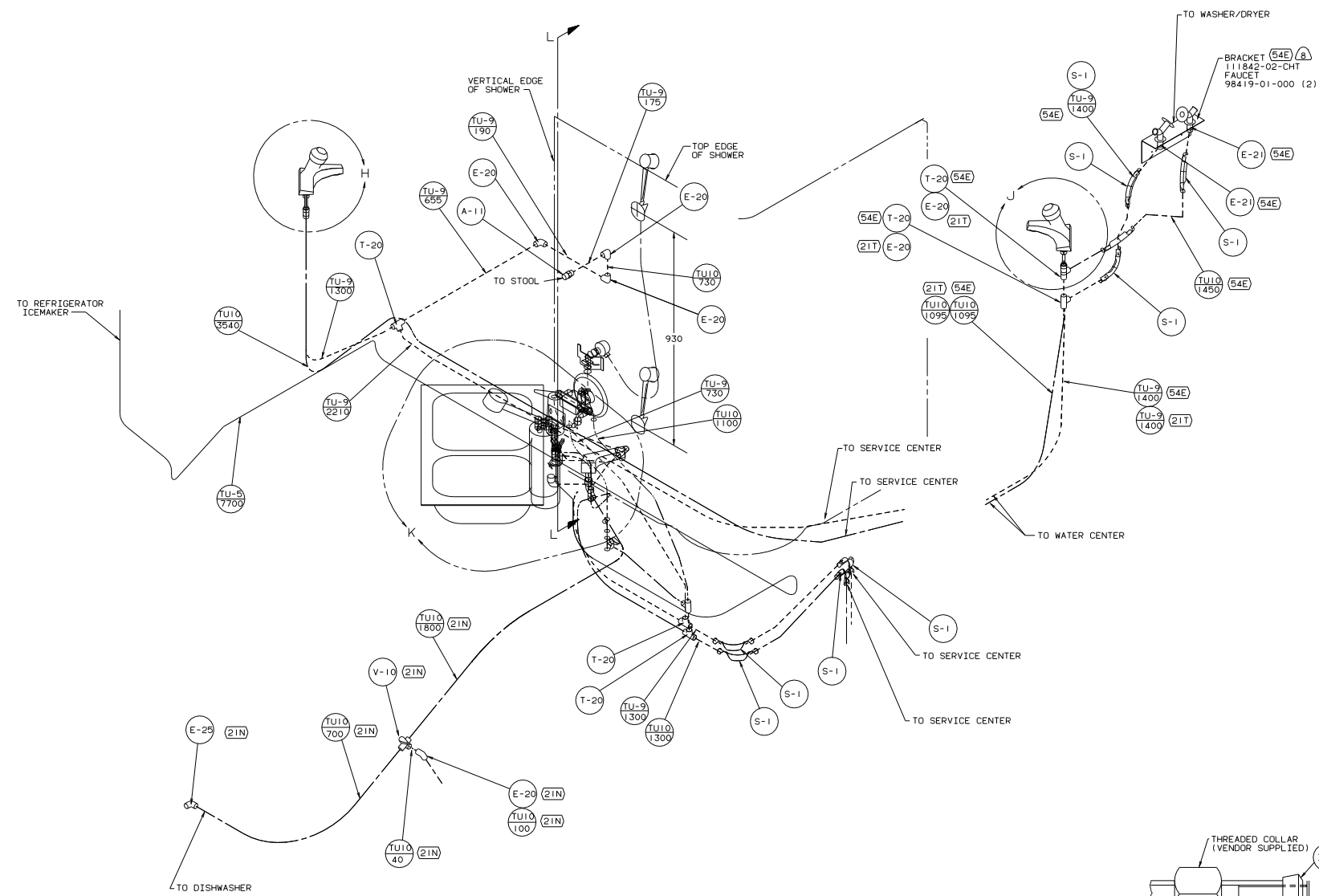
VIEW D-D



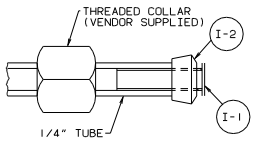
VIEW E-E

02 040J, JD, WD, E

TITLE:		WATER SYSTEM INSL	
30 NET SCALE DRAWING	DATE	1	1
SHEET 4 OF 9	REV		
			137721

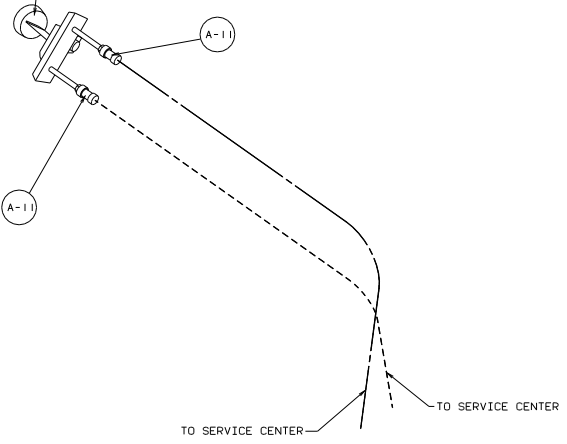


DETAIL F



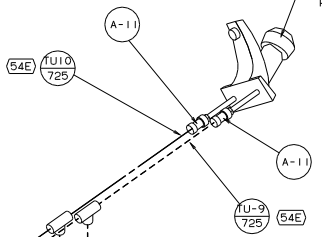
DETAIL G

FAUCET
128997-01-CHT (40J)
FAUCET
134735-01-CHT (40JD,40WD)
POP UP FAUCET
110760-04-000 (JD,WD)



DETAIL H

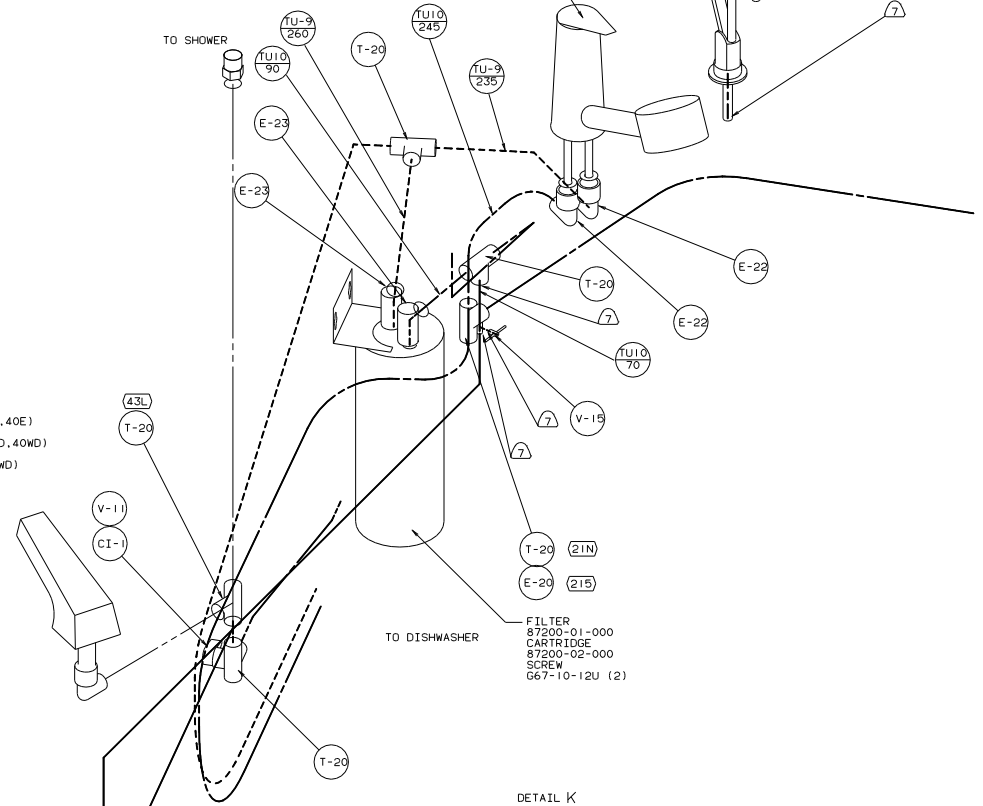
FAUCET
128997-01-CHT (40J,40E)
FAUCET
134735-01-CHT (40JD,40WD)
POP UP FAUCET
110760-04-000 (JD,WD)



DETAIL J

FAUCET
123744-03-CHT (40J,40E)
123744-01-CHT (40JD,40WD)
BACKING-FAUCET
139295-01-CHT

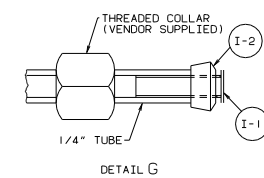
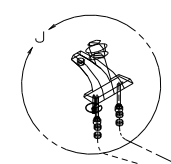
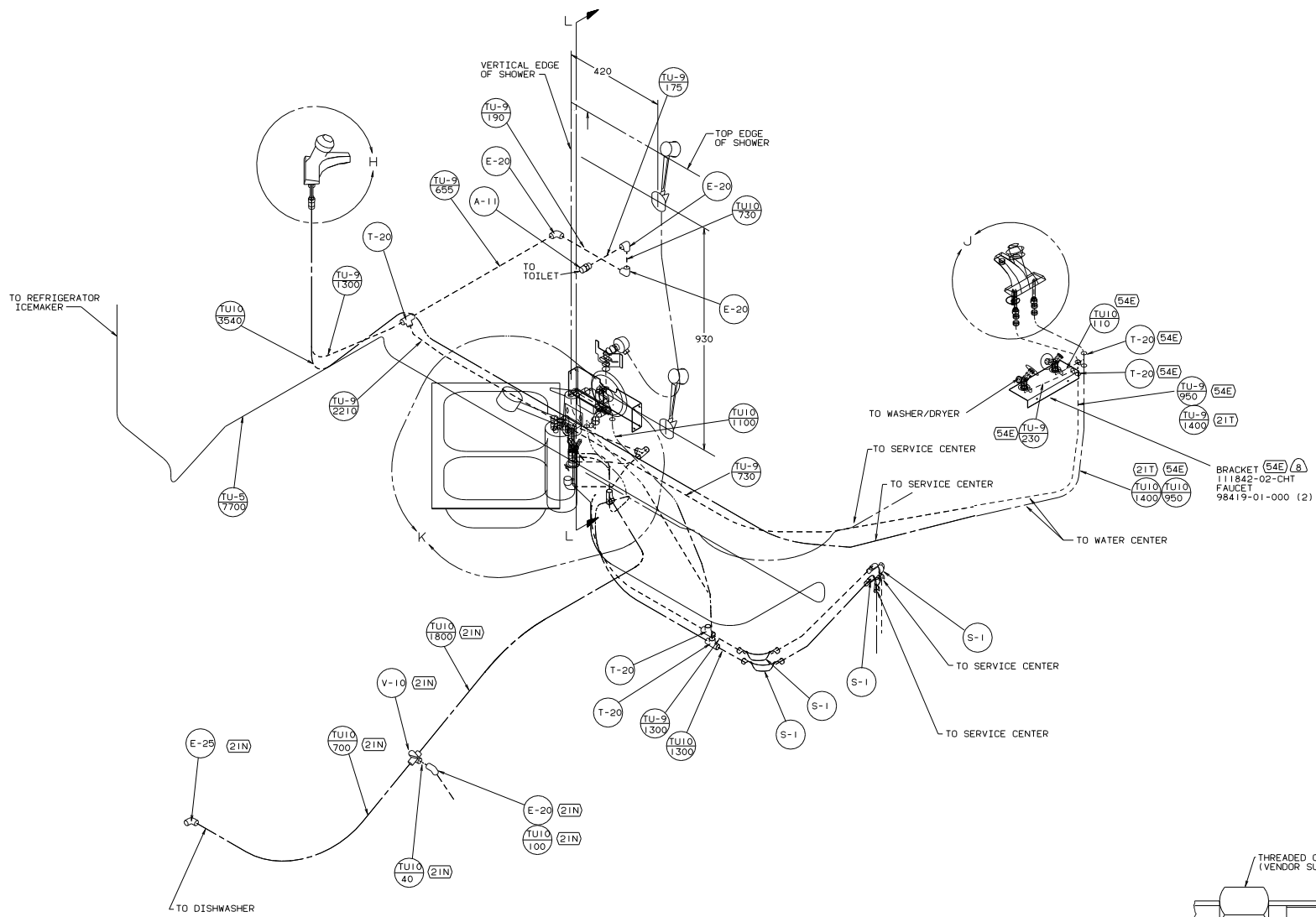
FAUCET
103635-01-000 (40J,40E)
103635-03-000 (40JD,40WD)



DETAIL K

02 Q40J, JD, WD, E

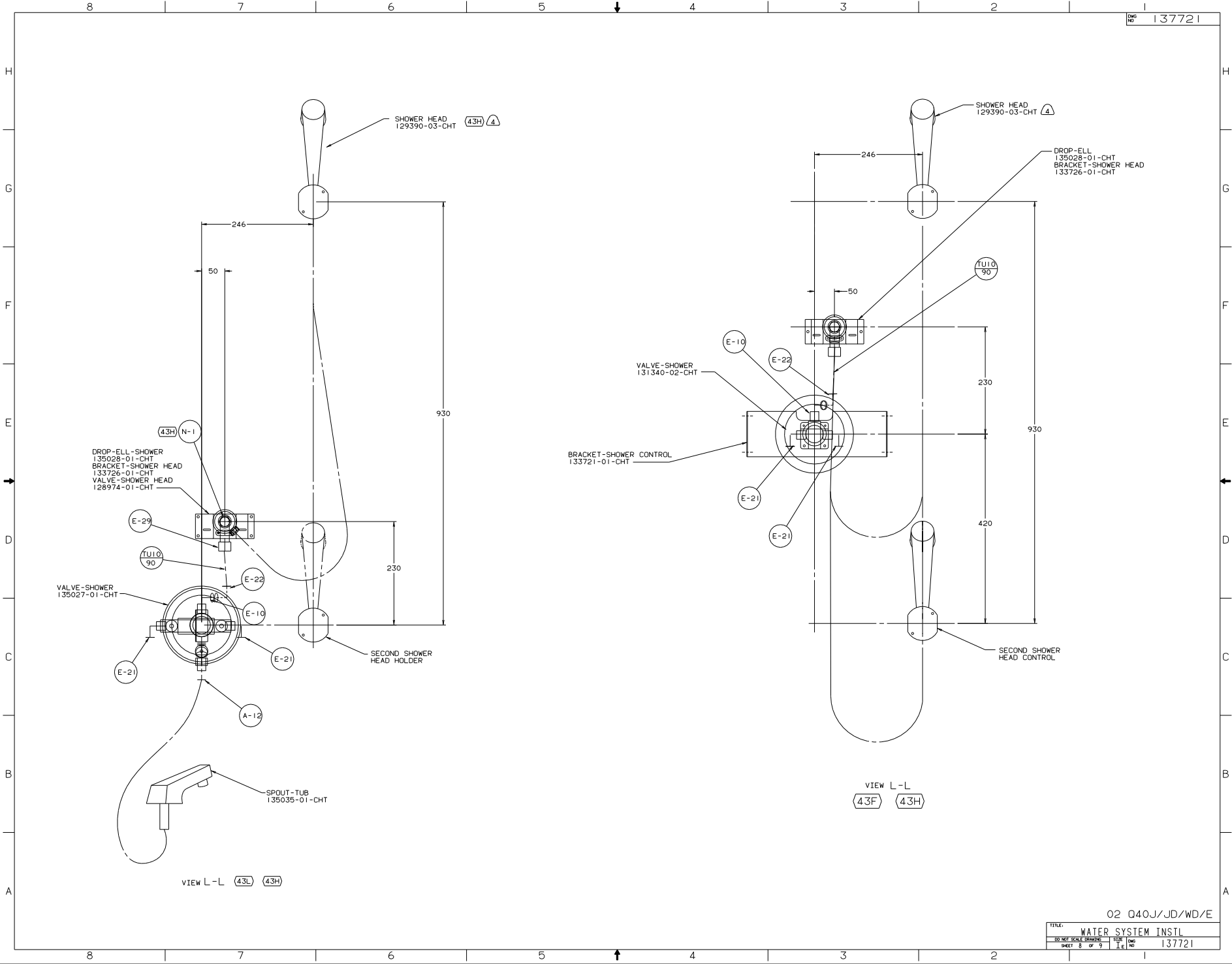
TITLE: WATER SYSTEM INSTL		DATE	DWG NO
30 NET SCALE DRAWING	SHEET	6	137721
	OF	8	



DETAIL F

TITLE: WATER SYSTEM INSTL		
30 NET SCALE DRAWING	SHEET	DWG NO
7 of 9	1	137721

02 Q40WD



SHOWER HEAD
129390-03-CHT (43H) (4)

SHOWER HEAD
129390-03-CHT (4)

DROP-ELL
135028-01-CHT
BRACKET-SHOWER HEAD
133726-01-CHT

DROP-ELL-SHOWER
135028-01-CHT
BRACKET-SHOWER HEAD
133726-01-CHT
VALVE-SHOWER HEAD
128974-01-CHT

VALVE-SHOWER
131340-02-CHT

BRACKET-SHOWER CONTROL
133721-01-CHT

VALVE-SHOWER
135027-01-CHT

SPOUT-TUB
135035-01-CHT

VIEW L-L (43L) (43H)

VIEW L-L
(43F) (43H)

02 Q40J/JD/WD/E

TITLE		WATER SYSTEM INSTL	
30 MET SCALE DRAWING	DATE	1/1	NO
SHEET 8	OF 9	1/1	NO
		137721	

