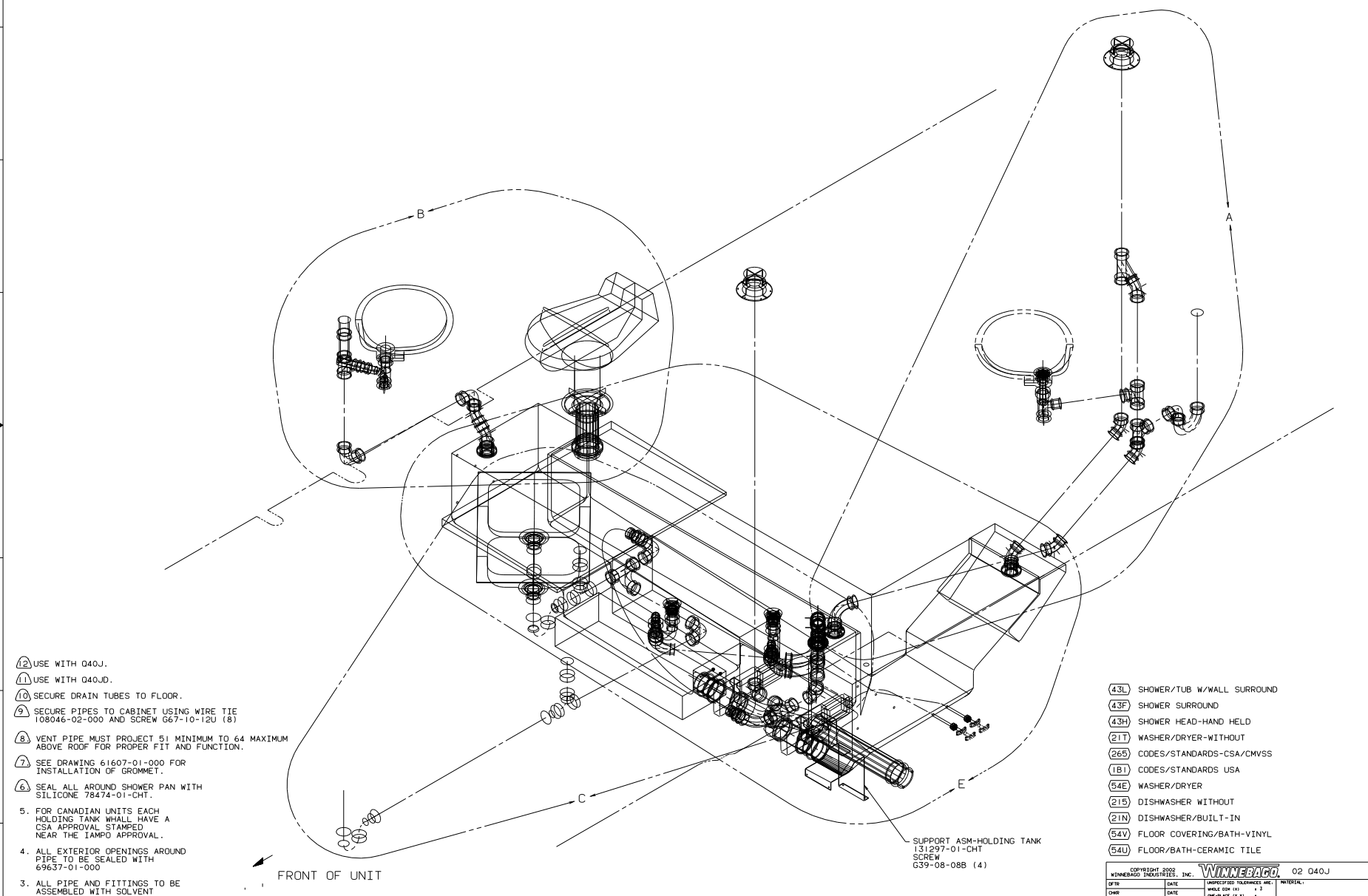


DWG NO	MODEL
137724-01	040J
137724-02	040JD
137724-03	040WD



- (12) USE WITH 040J.
 - (11) USE WITH 040JD.
 - (10) SECURE DRAIN TUBES TO FLOOR.
 - (9) SECURE PIPES TO CABINET USING WIRE TIE 108046-02-000 AND SCREW G67-10-12U (8)
 - (8) VENT PIPE MUST PROJECT 51 MINIMUM TO 64 MAXIMUM ABOVE ROOF FOR PROPER FIT AND FUNCTION.
 - (7) SEE DRAWING 61607-01-000 FOR INSTALLATION OF GROMMET.
 - (6) SEAL ALL AROUND SHOWER PAN WITH SILICONE 78474-01-CHT.
5. FOR CANADIAN UNITS EACH HOLDING TANK SHALL HAVE A CSA APPROVAL STAMPED NEAR THE IAPMO APPROVAL.
 4. ALL EXTERIOR OPENINGS AROUND PIPE TO BE SEALED WITH 69637-01-000
 3. ALL PIPE AND FITTINGS TO BE ASSEMBLED WITH SOLVENT
 2. SLOPE OF TRAP MUST BE 6 PER 300 MINIMUM.
 1. SLOPE OF HORIZONTAL PIPING TO BE 6 PER 300 MINIMUM.
- NOTES:

- (4.3L) SHOWER/TUB W/WALL SURROUND
- (4.3F) SHOWER SURROUND
- (4.3H) SHOWER HEAD-HAND HELD
- (21T) WASHER/DRYER-WITHOUT
- (26S) CODES/STANDARDS-CSA/CMVSS
- (1B1) CODES/STANDARDS USA
- (54E) WASHER/DRYER
- (21S) DISHWASHER WITHOUT
- (21N) DISHWASHER/BUILT-IN
- (54V) FLOOR COVERING/BATH-VINYL
- (54U) FLOOR/BATH-CERAMIC TILE

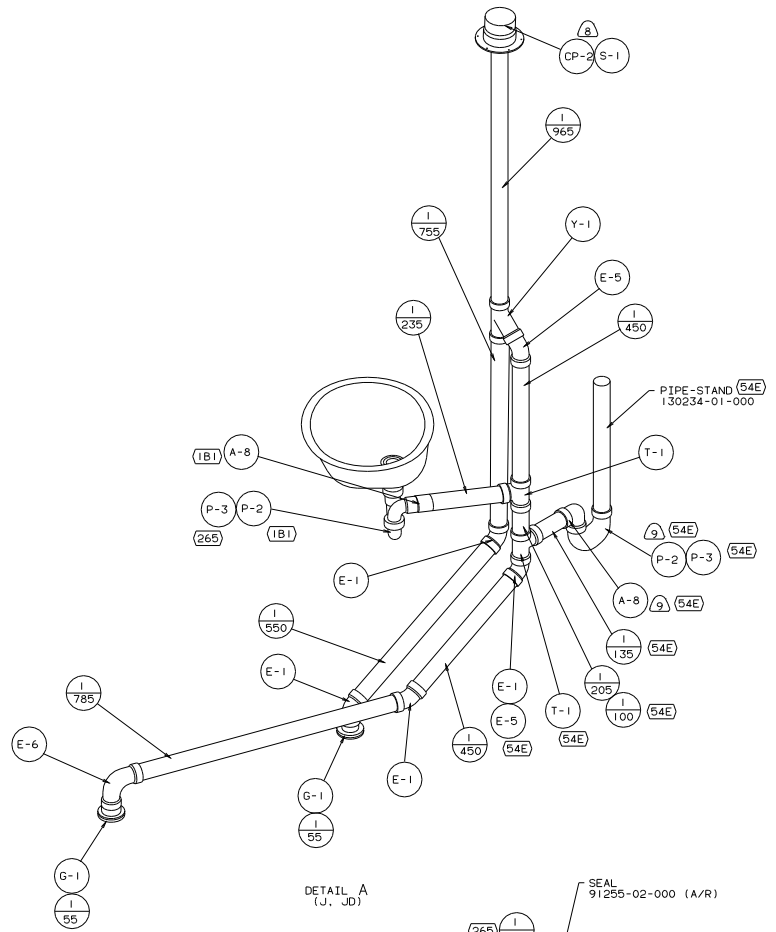
SUPPORT ASM-HOLDING TANK
 131297-01-CHT
 SCREW
 639-08-088 (4)

(X-X)

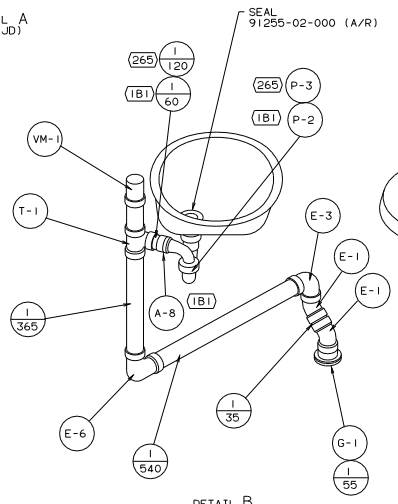
FOR
 DRAINAGE
 CALLOUTS
 SEE DWG NO.
 116229-01-000

QTY	DATE	UNSPECIFIED TOLERANCES ARE:	MATERIAL
CHP	DATE	HALF DIM (1/8)	
FR	DATE	ONE-PLACE (1/8)	
PL	DATE	TWO-PLACE (1/8)	
W	DATE	ANGLE	
CONR	DATE	THIRD ANGLE PRED. 45°	

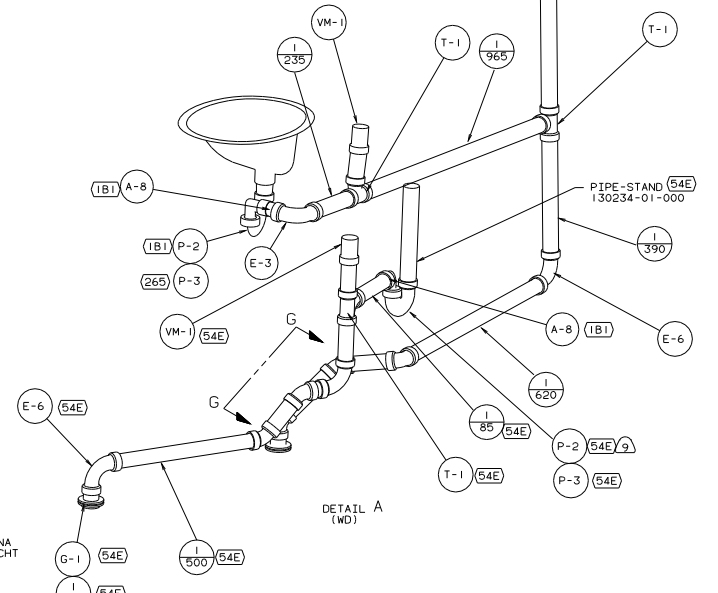
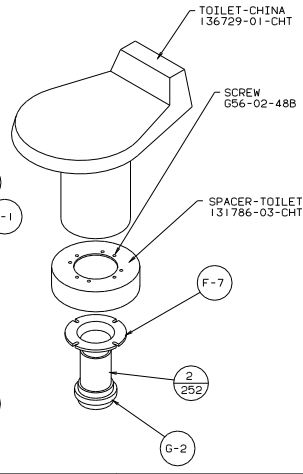
DRAWING NO: 040JD TITLE: DRAINAGE SYSTEM INSTL
 DIA. & SCALE: NONE 30-MET SCALE DRAWING: 1:1E
 ALL DIMENSIONS ARE IN MILLIMETERS SHEET 1 OF 4 DWG NO 137724
 REF: 135148 K 1



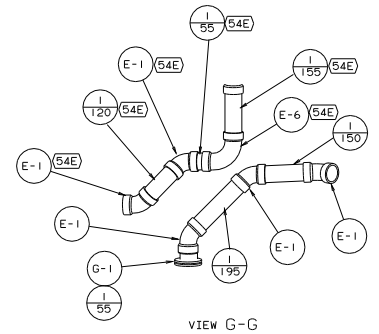
DETAIL A (J. JD)



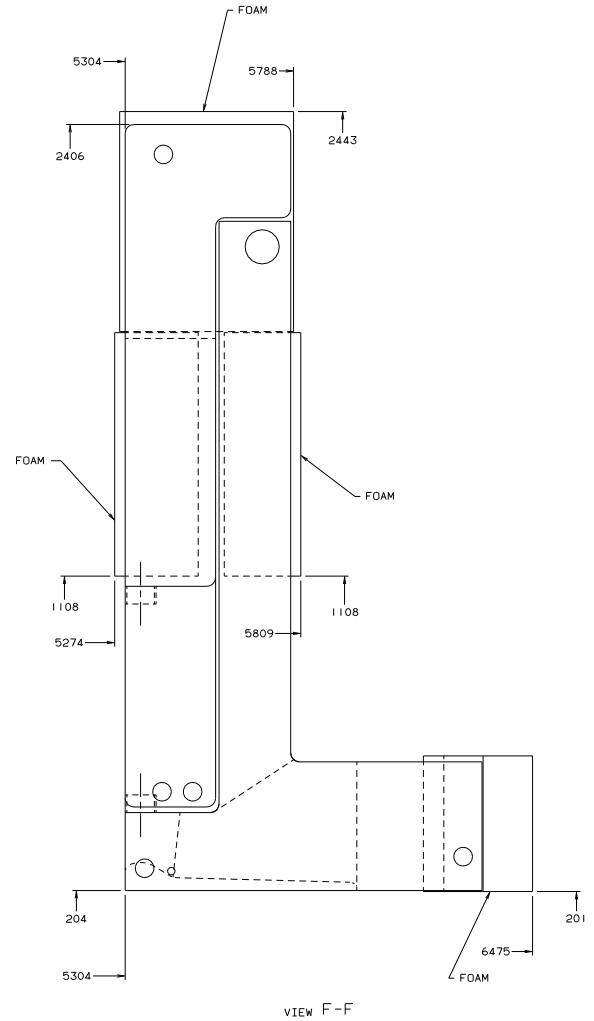
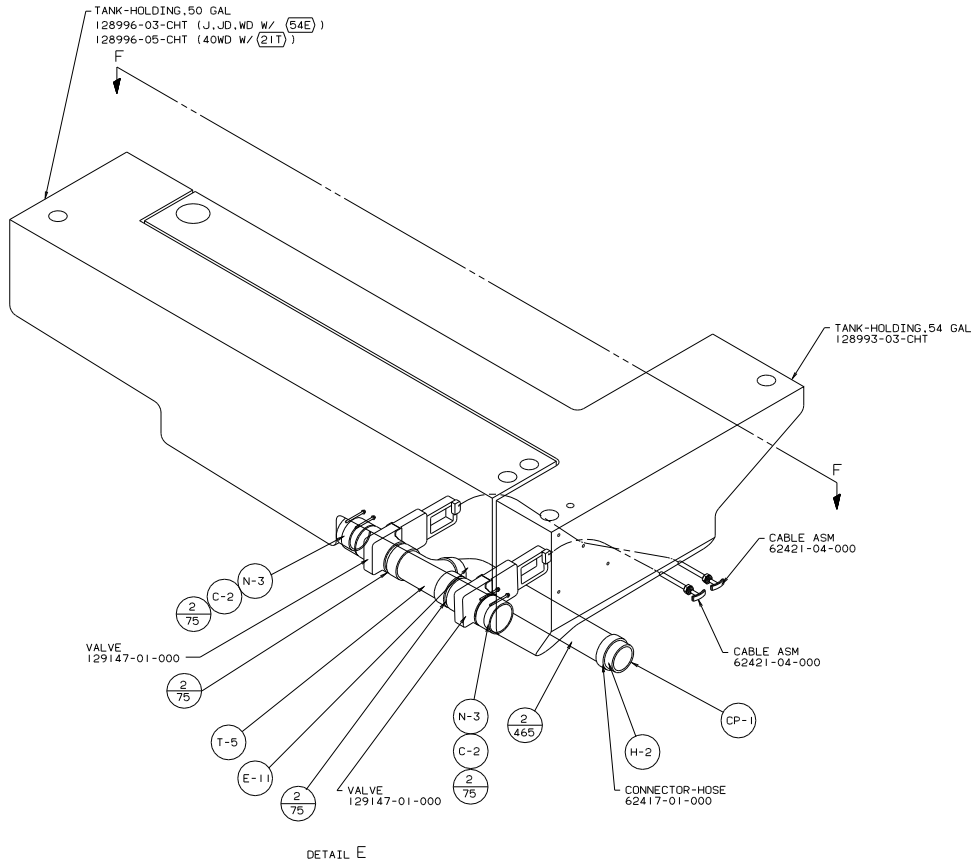
DETAIL B

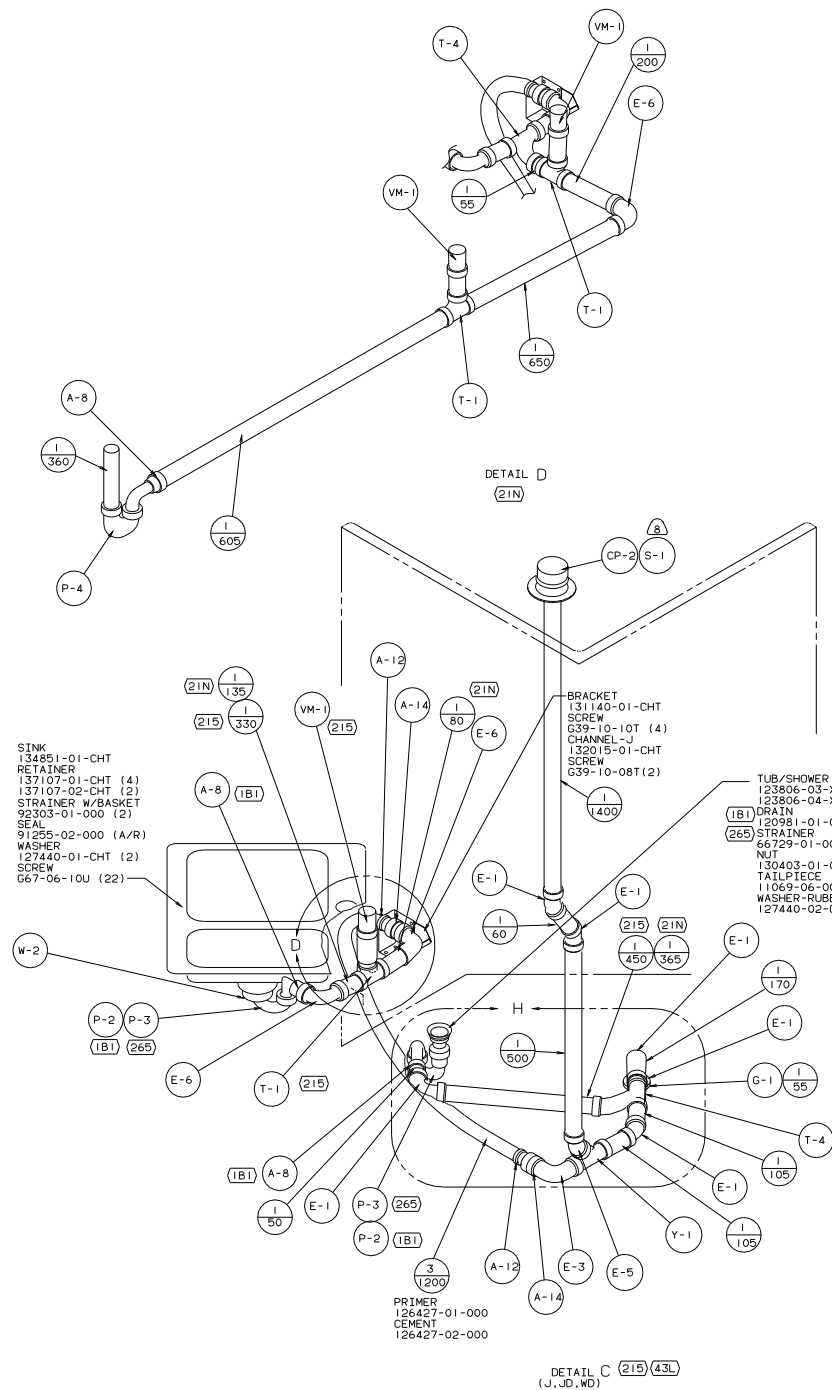


DETAIL A (WD)

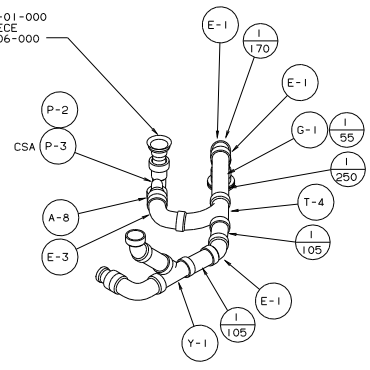


VIEW G-G



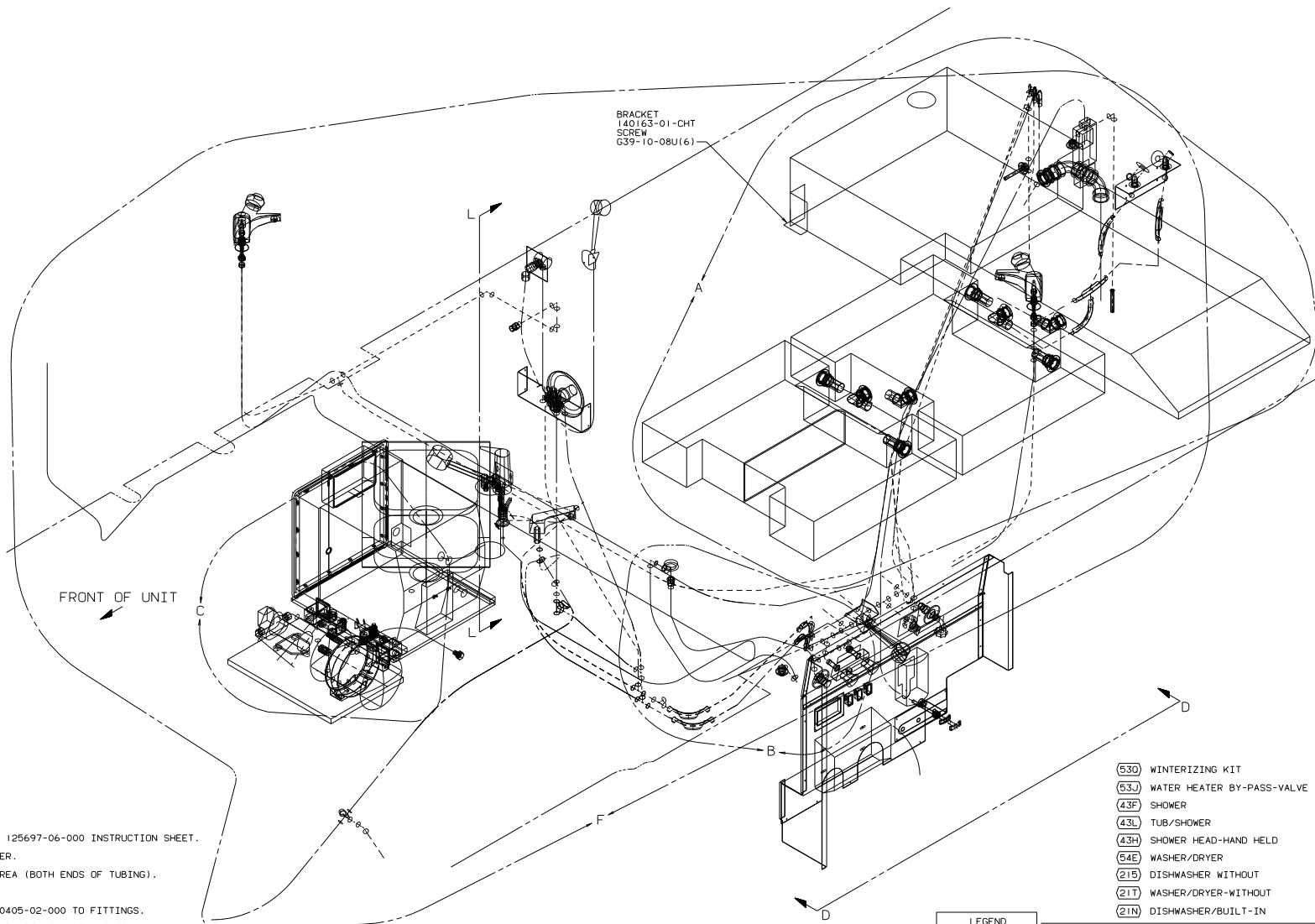


- SHOWER COMPL
136561-01-XXX (40JD,WD)
- 136561-02-XXX (40J)
- STRAINER
66440-01-000
- GASKET-FOAM
132376-01-CHT
- NUT
130403-01-000
- TAILPIECE
11069-06-000



DETAIL C (215) (43)

DWG NO	MODEL
137721-01	Q40J
137721-02	Q40JD
137721-03	Q40WD
137721-04	Q40E



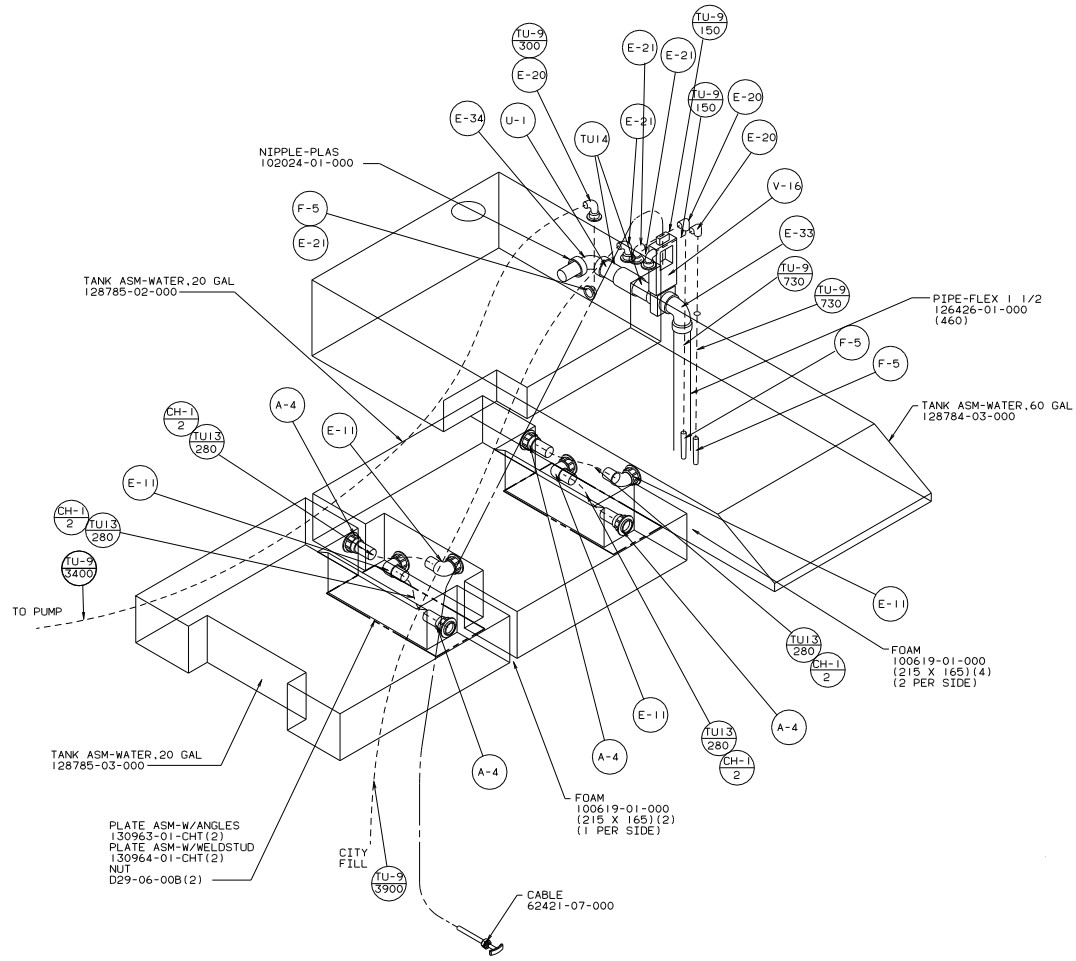
- 9 FLUSHING SYSTEM REQUIRES 125697-06-000 INSTRUCTION SHEET.
- Ⓐ LOCATE BEHIND WASHER/DRYER.
- Ⓐ USE DETAIL "G" IN THIS AREA (BOTH ENDS OF TUBING).
- Ⓐ INSTALL WITH TANK.
- Ⓐ WRAP WITH TEFLON TAPE 10405-02-000 TO FITTINGS.
- Ⓐ PRE-DRILL SHOWER SURROUND WITH 5.0 DIA HOLES USING MOUNTING BRACKET AS A TEMPLATE.
3. ALL TUBING TO BE SECURED AT 1200 INTERVALS MAXIMUM WITH CLAMP 10495-01-000 OR CLIP 91951-01-000 AND SCREW G67-10-12B.
2. TUBING TO BE INSTALLED WITH SUFFICIENT SLOPE TO PROVIDE DRAINAGE TO NEAREST VALVE.
1. PLASTIC FITTINGS TO BE SEALED WITH SEALANT 84456-01-000.

- 530 WINTERIZING KIT
- 53J WATER HEATER BY-PASS-VALVE
- 43F SHOWER
- 43L TUB/SHOWER
- 43H SHOWER HEAD-HAND HELD
- 54E WASHER/DRYER
- 215 DISHWASHER WITHOUT
- 21T WASHER/DRYER-WITHOUT
- 21N DISHWASHER/BUILT-IN

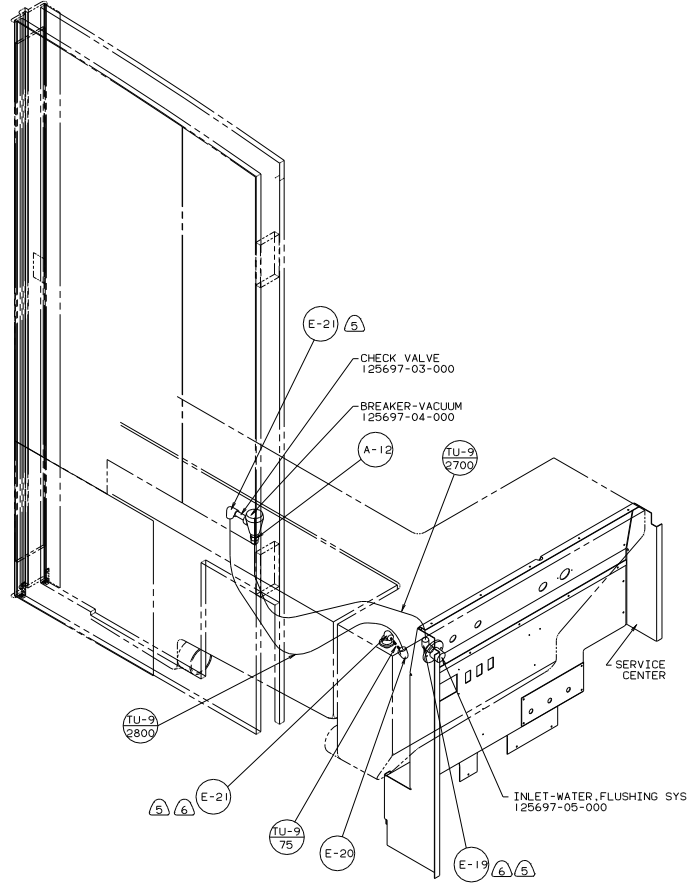
LEGEND	
HOT	-----
COLD	-----

FOR WATER CALLOUTS SEE DWG NO. 116230-01-000

CORWEIGHT 2002		WINNERAGG INDUSTRIES, INC.		02 Q40J/JD	
QTY	DATE	UNSPECIFIED TOLERANCES ARE:			
CHG	DATE	FRONT VIEW			
TR	DATE	TOP-PLATE (X.X)			
TR	DATE	FRONT-PLATE (X.X)			
TR	DATE	ANGLE			
TR	DATE	TRUSS ANGLE			
TR	DATE	PROJECTION			
DRAWN BY: Q40JD		TITLE: WATER SYSTEM INSTL			
SHEET NO: 1		TOTAL SHEETS: 9		DWG NO: 137721	
SCALE: NONE		SCALE: NONE		SHEET: 1 OF 9	
ALL DIMENSIONS ARE IN MILLIMETERS				REF: 135145 S I	



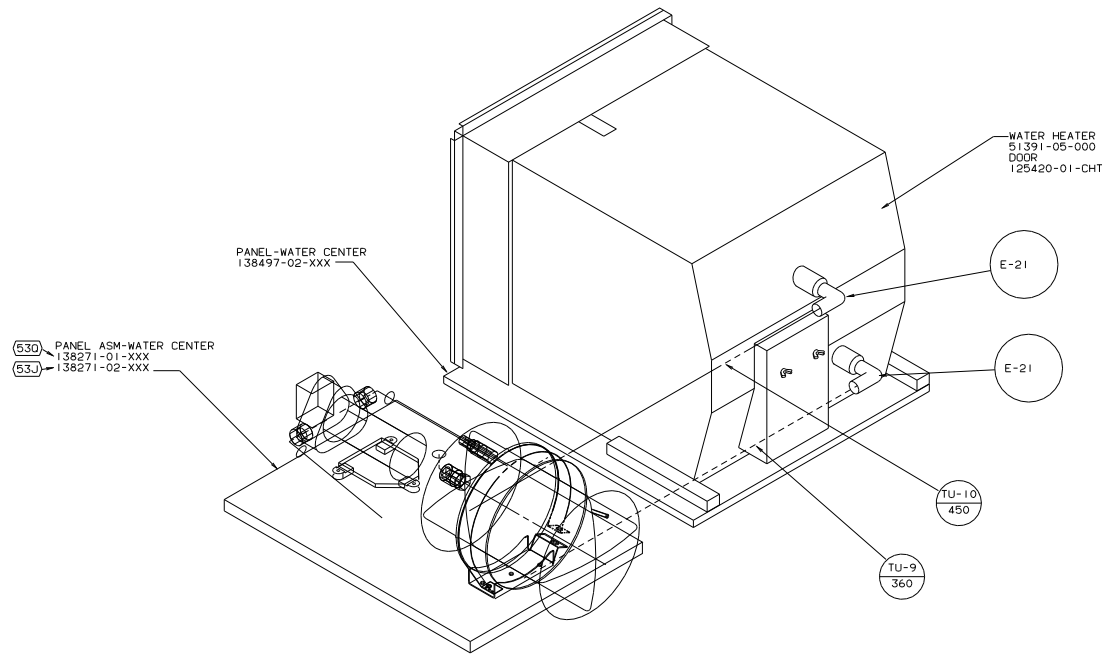
DETAIL A



DETAIL B
FLUSHING SYSTEM

02 Q40J, JD. WD. E

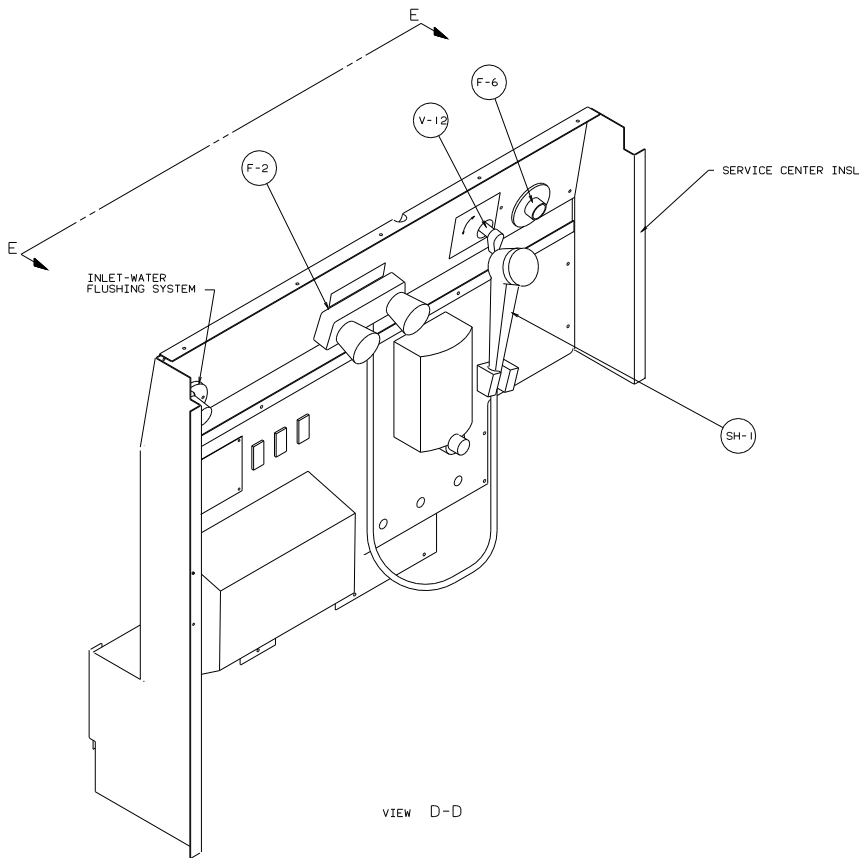
TITLE		WATER SYSTEM INSTL	
30 NET SCALE DRAWING	SIZE	DATE	137721
SHEET 2	OF 9	1 E	



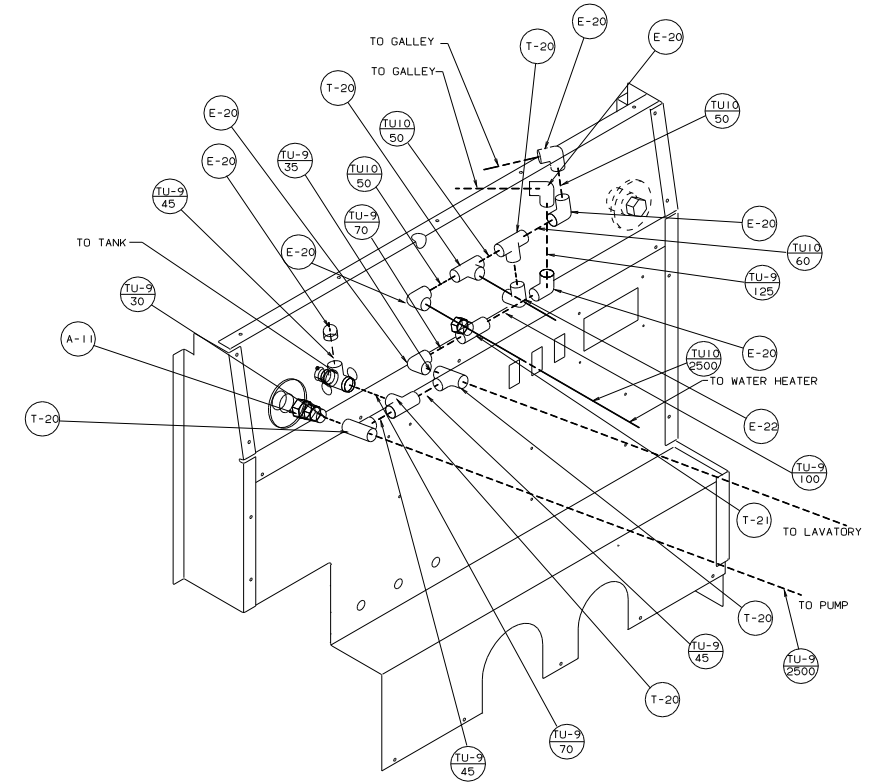
DETAIL C

02 Q40J, 4D, WD, E

TITLE: WATER SYSTEM INSTL	
DO NOT SCALE DRAWING	DATE
SHEET 3 of 9	1/E NO 137721



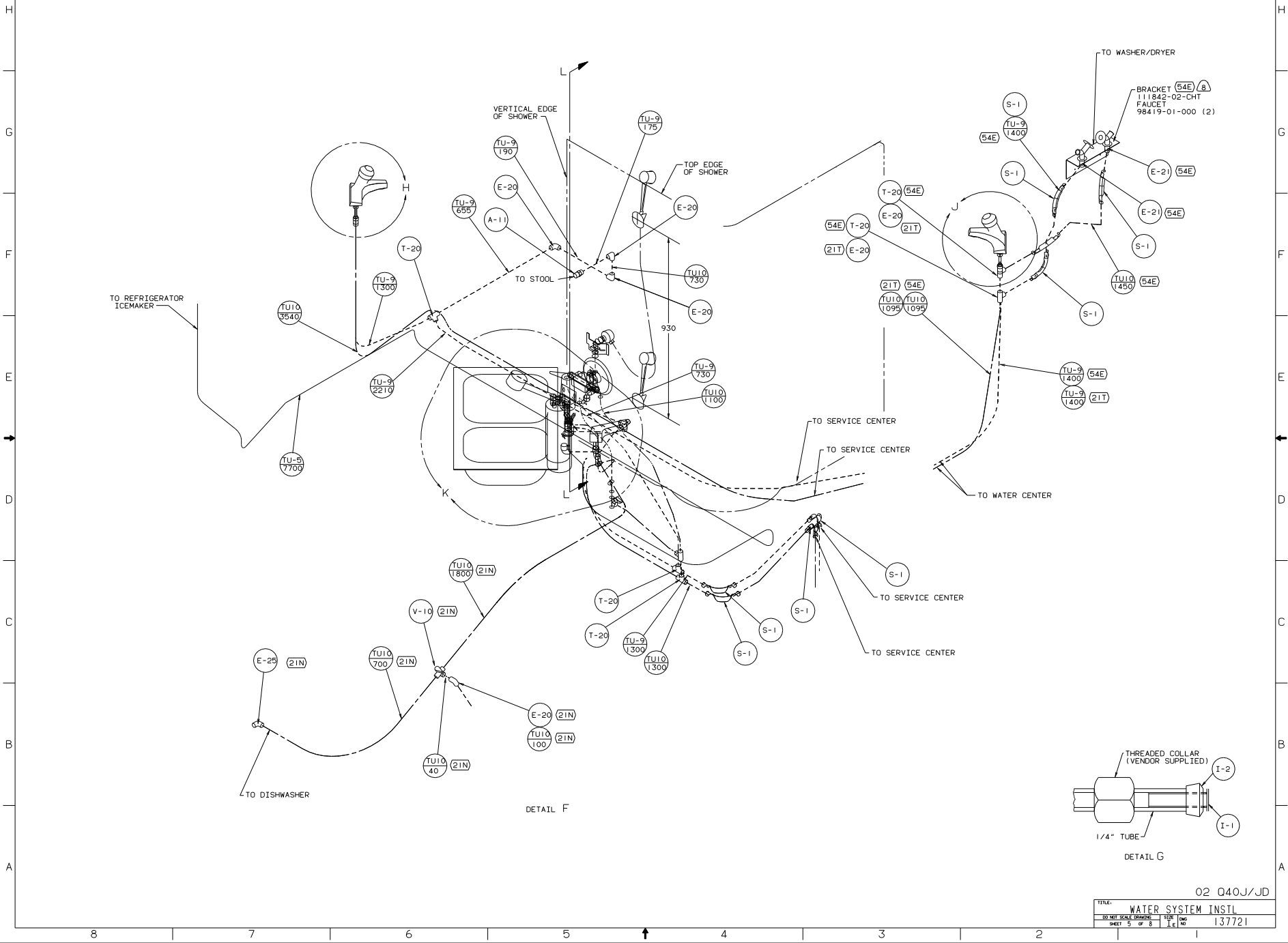
VIEW D-D



VIEW E-E

02 040J, JD, WD, E

TITLE:		WATER SYSTEM INSL	
30 NET SCALE DRAWING	SIZE	1/4"	1/2"
SHEET 4 OF 9	DATE	11/61	137721



VERTICAL EDGE OF SHOWER

TOP EDGE OF SHOWER

TO WASHER/DRYER

TO REFRIGERATOR ICEMAKER

TO SERVICE CENTER

TO SERVICE CENTER

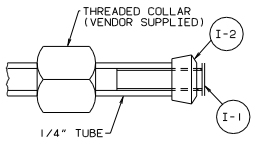
TO WATER CENTER

TO SERVICE CENTER

TO SERVICE CENTER

TO DISHWASHER

DETAIL F

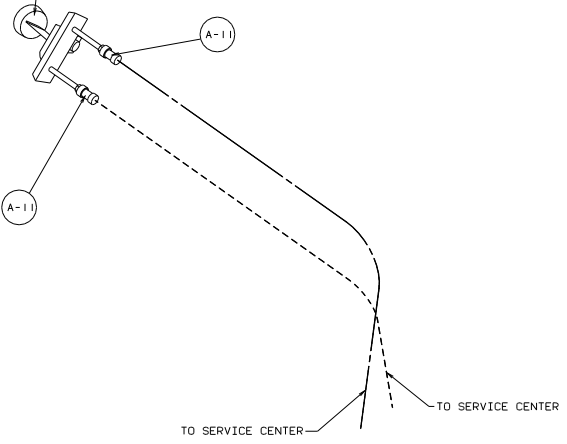


DETAIL G

02 Q40J/JD

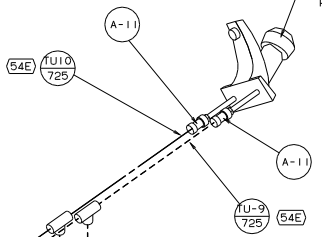
TITLE: WATER SYSTEM INSTL	
30 NET SCALE DRAWING	DATE
SHEET 5 OF 8	1 E 1
	137721

FAUCET
128997-01-CHT (40J)
FAUCET
134735-01-CHT (40JD,40WD)
POP UP FAUCET
110760-04-000 (JD,WD)



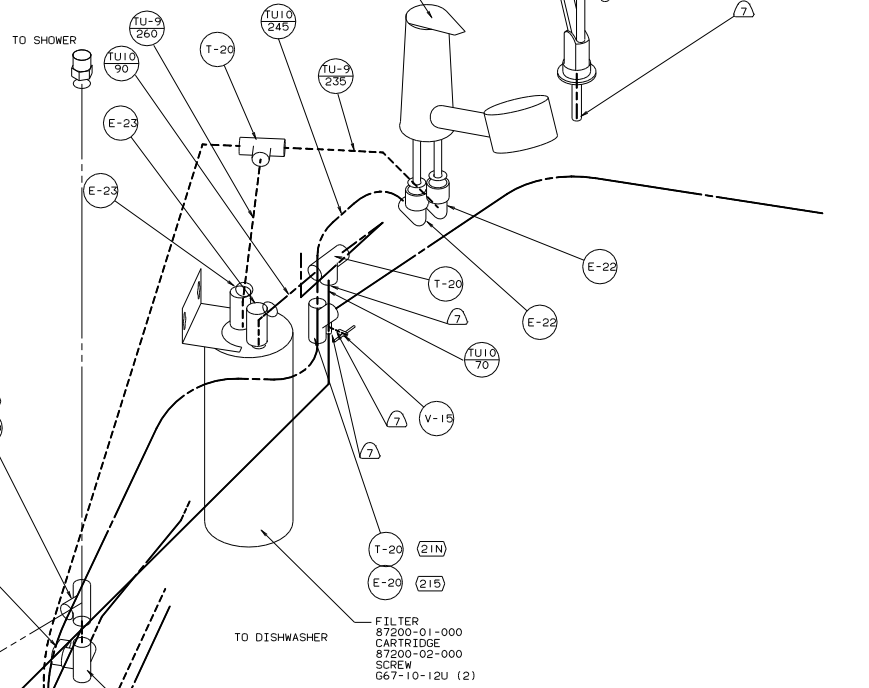
DETAIL H

FAUCET
128997-01-CHT (40J,40E)
FAUCET
134735-01-CHT (40JD,40WD)
POP UP FAUCET
110760-04-000 (JD,WD)



DETAIL J

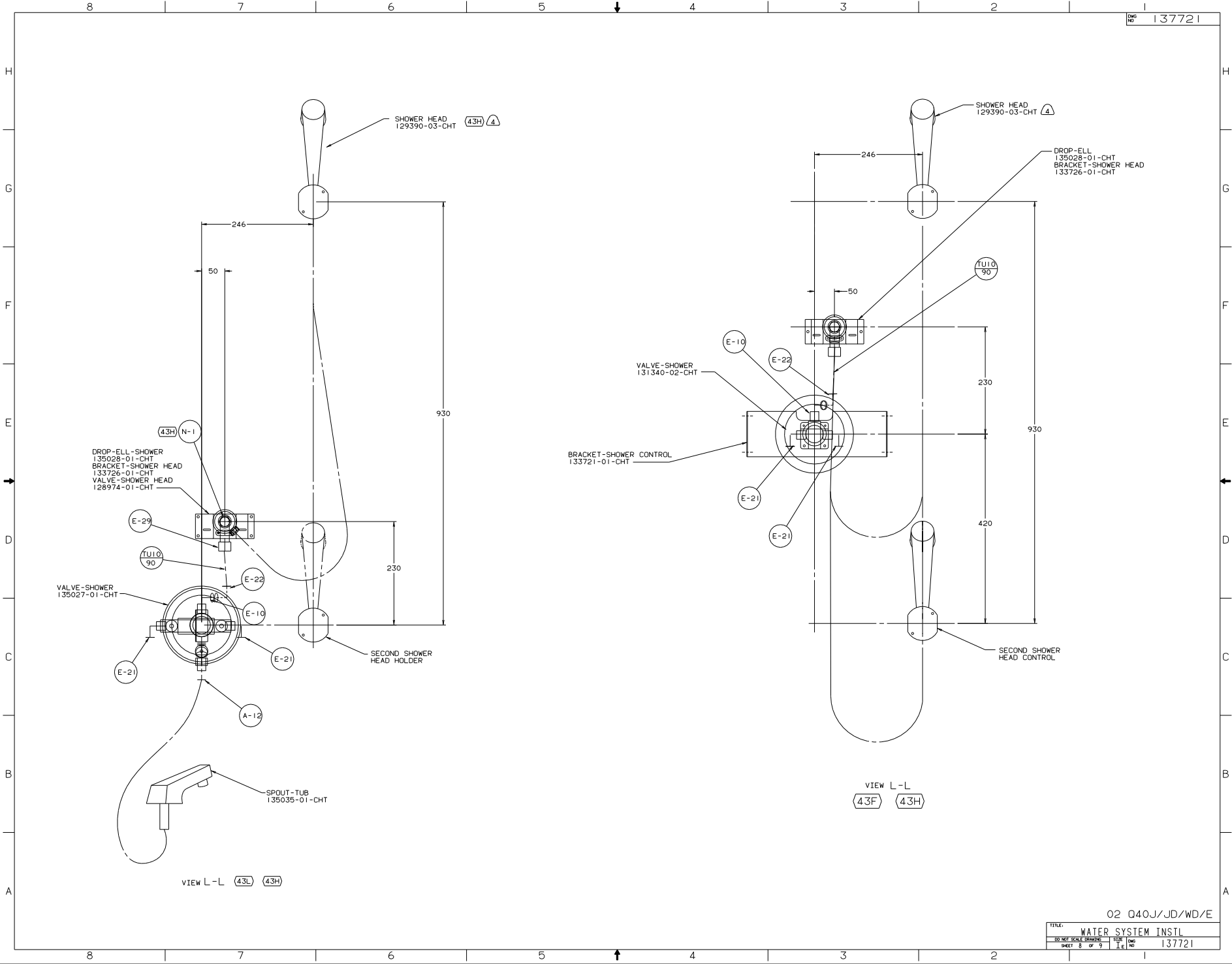
FAUCET
123744-03-CHT (40J,40E)
123744-01-CHT (40JD,40WD)
BACKING-FAUCET
139295-01-CHT



DETAIL K

02 Q40J, JD, WD, E

TITLE: WATER SYSTEM INSTL		DATE	DWG NO
30 NET SCALE DRAWING	SHEET	1	137721
SHEET 6	OF 8		



02 Q40J/JD/WD/E

TITLE		WATER SYSTEM INSTL	
30 MET SCALE DRAWING	DATE	1	1
SHEET 8 OF 9	REV	1	1
	DWG NO	137721	

