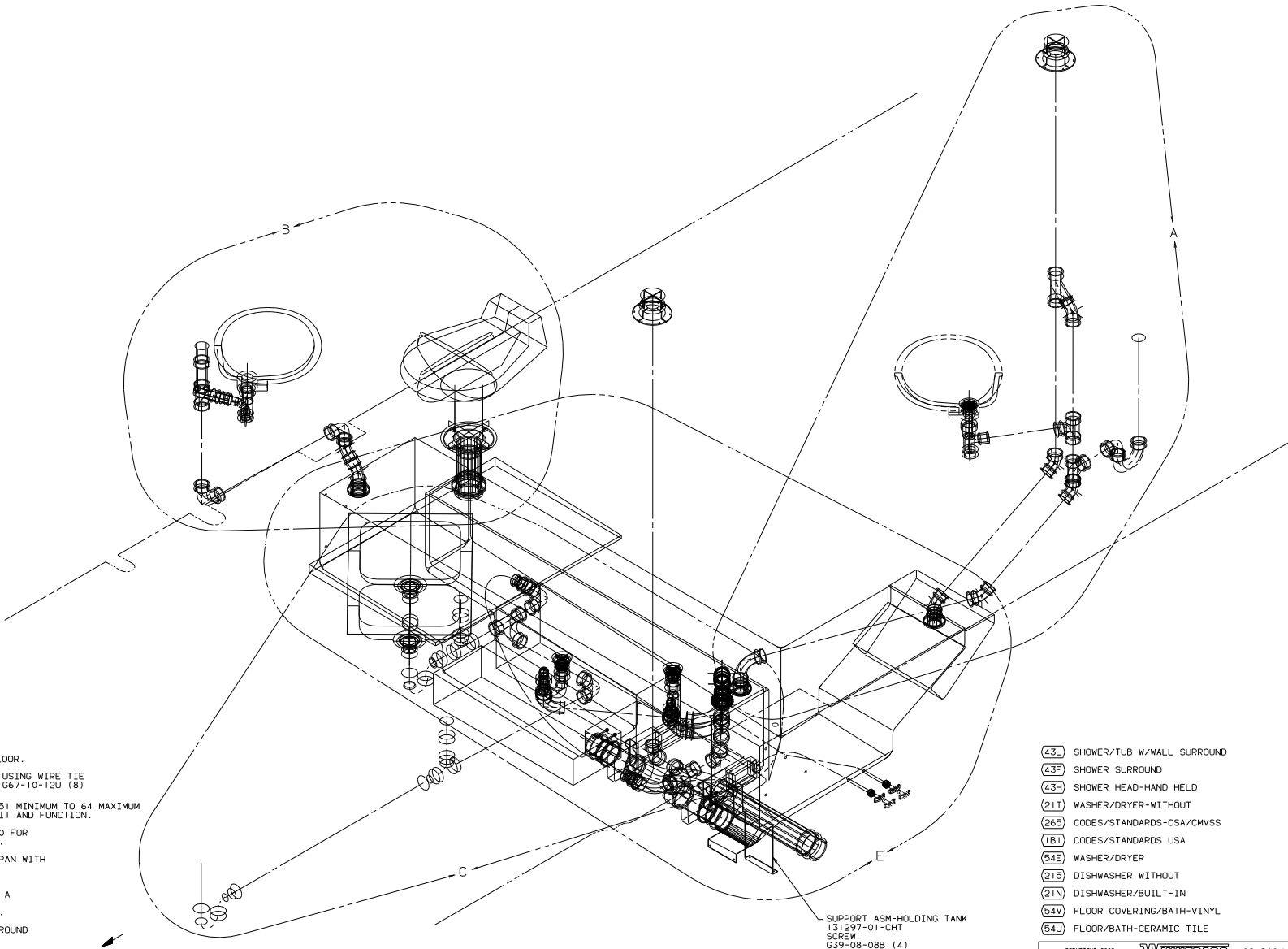


DWG NO	MODEL
137724-01	040J
137724-02	040JD
137724-03	040WD

RELEASE BY	DATE	BY	DATE	BY	DATE	NO	137724
REVISION RECORD							



- (12) USE WITH 040J.
 - (11) USE WITH 040JD.
 - (10) SECURE DRAIN TUBES TO FLOOR.
 - (9) SECURE PIPES TO CABINET USING WIRE TIE 108046-02-000 AND SCREW G67-10-12U (8)
 - (8) VENT PIPE MUST PROJECT 51 MINIMUM TO 64 MAXIMUM ABOVE ROOF FOR PROPER FIT AND FUNCTION.
 - (7) SEE DRAWING 61607-01-000 FOR INSTALLATION OF GROMMET.
 - (6) SEAL ALL AROUND SHOWER PAN WITH SILICONE 78474-01-CHT.
5. FOR CANADIAN UNITS EACH HOLDING TANK SHALL HAVE A CSA APPROVAL STAMPED NEAR THE IAMPO APPROVAL.
4. ALL EXTERIOR OPENINGS AROUND PIPE TO BE SEALED WITH 69637-01-000
3. ALL PIPE AND FITTINGS TO BE ASSEMBLED WITH SOLVENT 4620-01-000
2. SLOPE OF TRAP MUST BE 6 PER 300 MINIMUM.
1. SLOPE OF HORIZONTAL PIPING TO BE 6 PER 300 MINIMUM.

SUPPORT ASM-HOLDING TANK
131297-01-CHT
SCREW
G39-08-08B (4)

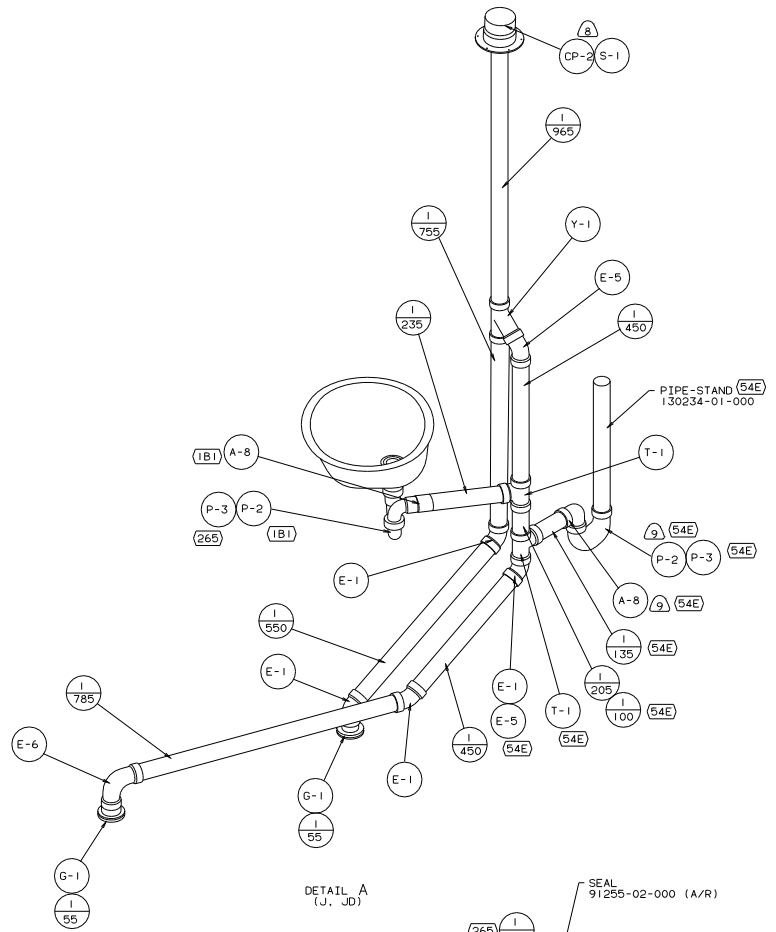
- (43L) SHOWER/TUB W/WALL SURROUND
- (43F) SHOWER SURROUND
- (43H) SHOWER HEAD-HAND HELD
- (21T) WASHER/DRYER-WITHOUT
- (26S) CODES/STANDARDS-CSA/CMVSS
- (1B1) CODES/STANDARDS USA
- (54E) WASHER/DRYER
- (21S) DISHWASHER WITHOUT
- (21N) DISHWASHER/BUILT-IN
- (54V) FLOOR COVERING/BATH-VINYL
- (54U) FLOOR/BATH-CERAMIC TILE

FRONT OF UNIT

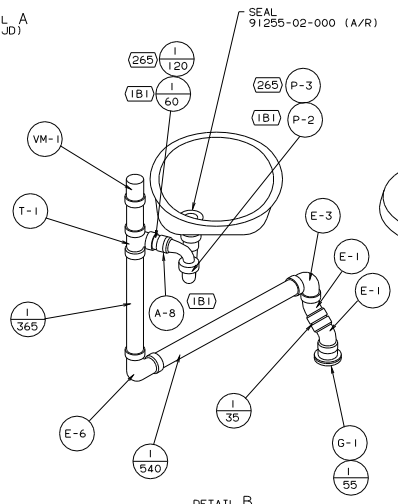
X-X

FOR DRAINAGE CALLOUTS SEE DWG NO. 116229-01-000

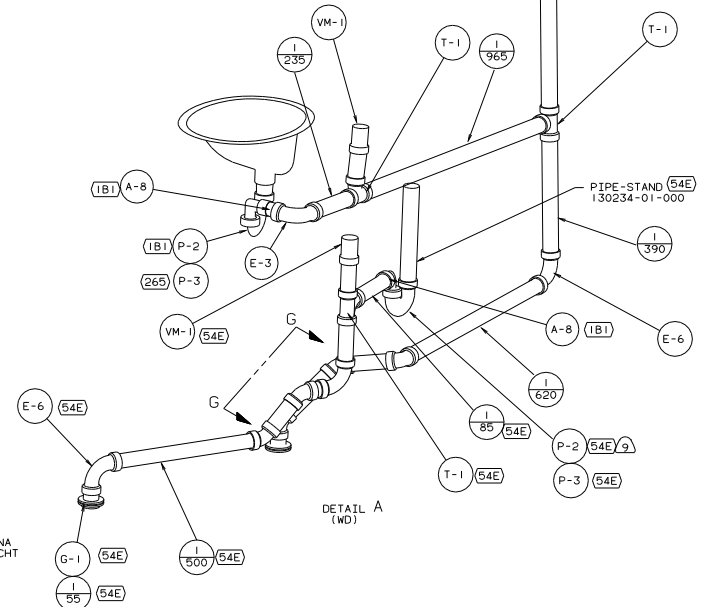
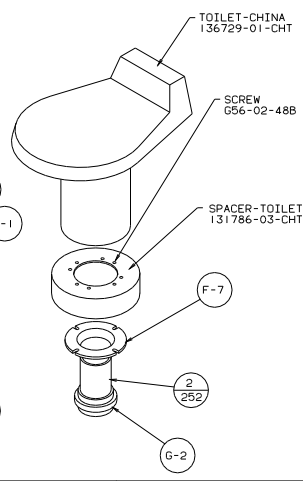
COPYRIGHT 2002 WINNERACO INDUSTRIES, INC.		WINNERACO		02 040J
QTY	DATE	UNSPECIFIED TOLERANCES ARE:	MATERIAL	
QTY	DATE	WHOLE DIM (IN)	F 8	
QTY	DATE	ONE-PLACE (IN.XI)	.	
QTY	DATE	TWO-PLACE (IN.XXI)	.	
QTY	DATE	ANGLE		
QTY	DATE	TWO ANGLE PROJECTION		
QTY	DATE			
DRAWN BY 040JD		TITLE: DRAINAGE SYSTEM INSTL		
DIA # 1 SCALE: NONE		SHEET 4 OF 4		
ALL DIMENSIONS ARE IN MILLIMETERS		REF: 135148 K		



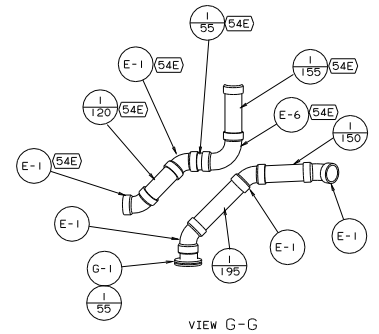
DETAIL A (J. JD)



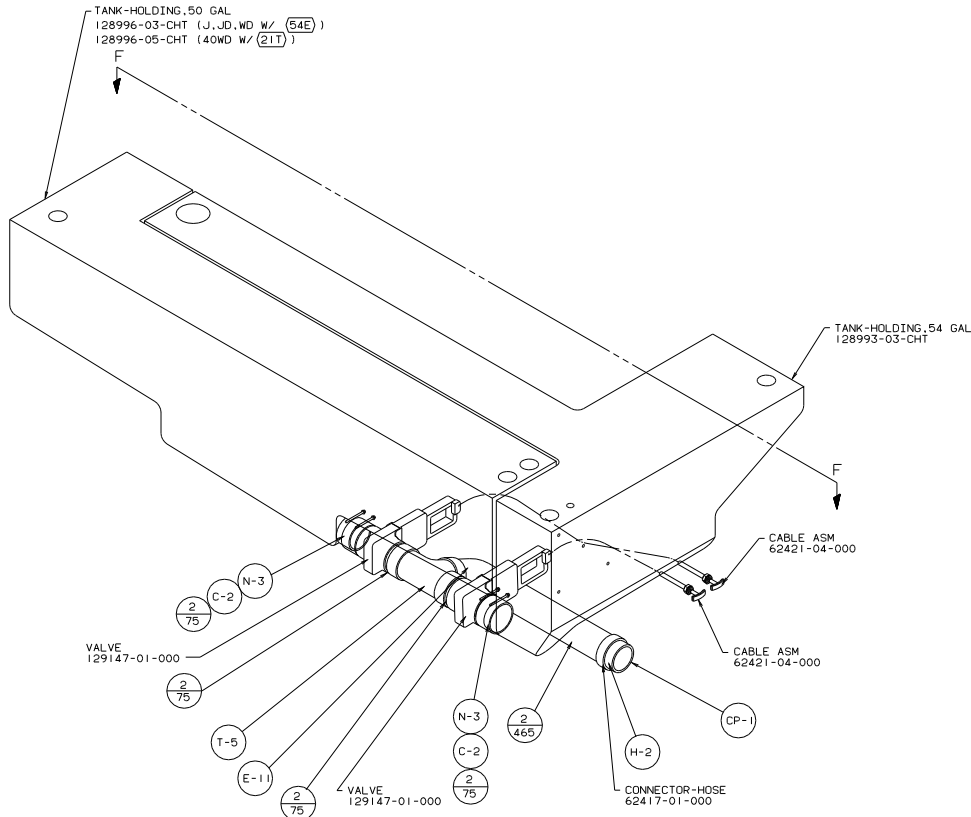
DETAIL B



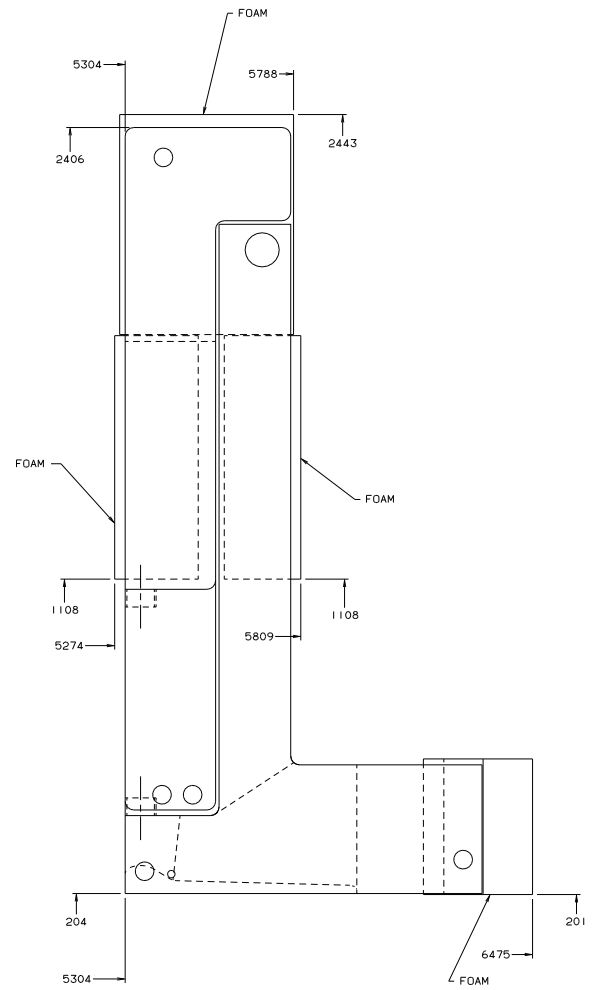
DETAIL A (WD)



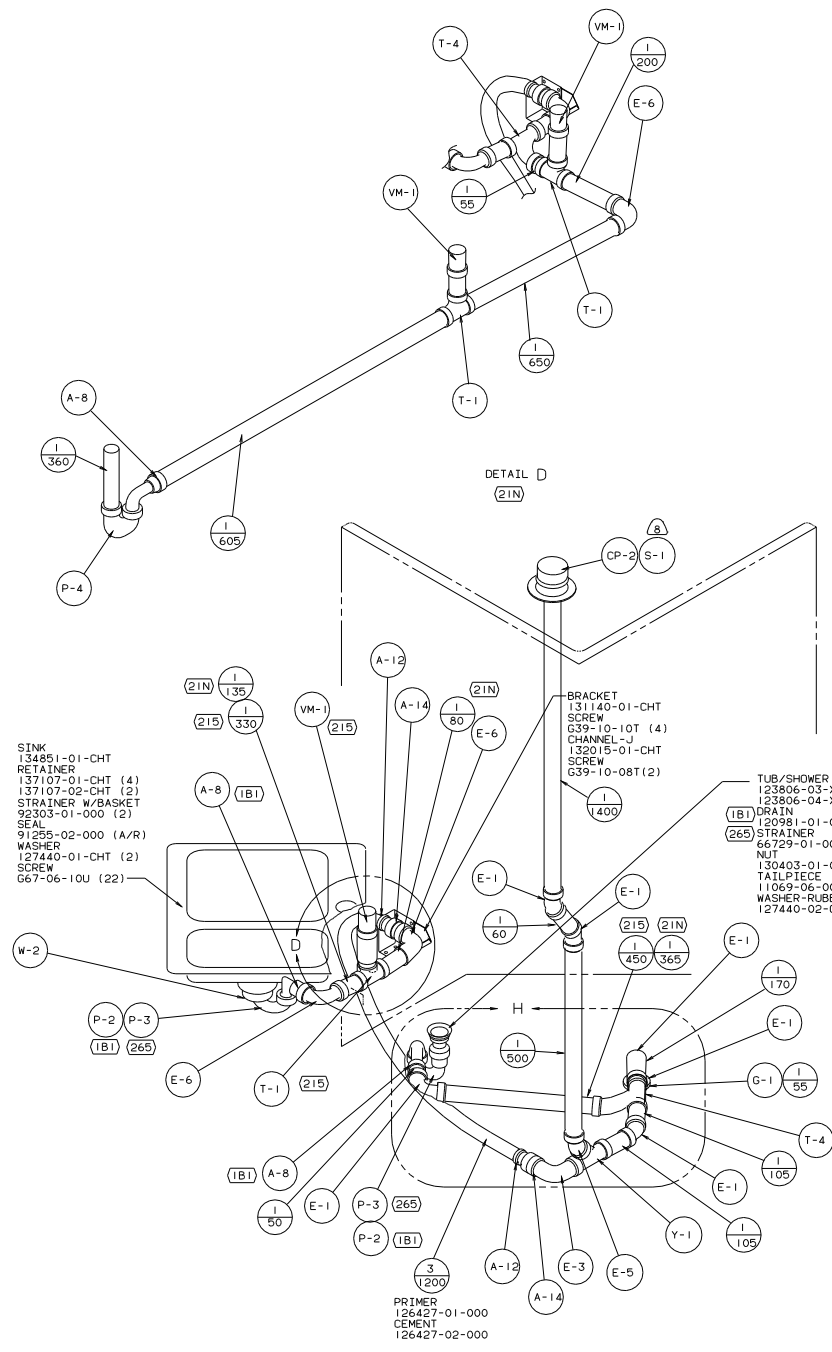
VIEW G-G



DETAIL E



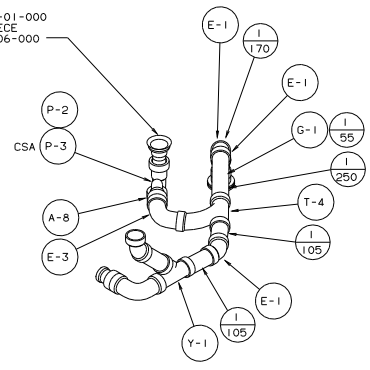
VIEW F-F



DETAIL D (21N)

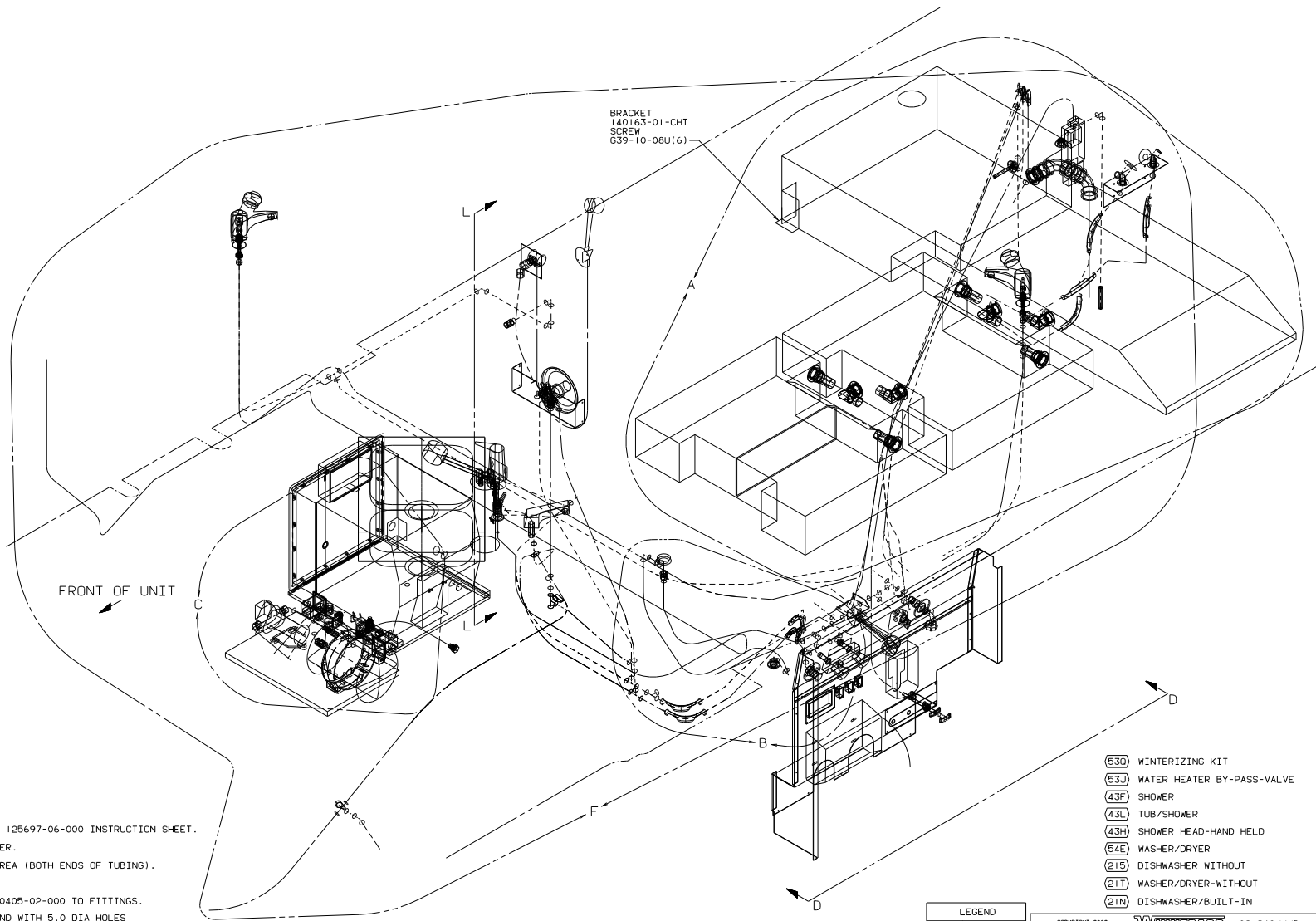
DETAIL C (215) (43)

- SHOWER COMPL**
 136561-01-XXX (40JD,WD)
 136561-02-XXX (40J)
 STRAINER
 66440-01-000
 GASKET-FOAM
 132376-01-CHT
 NUT
 130403-01-000
 TAILPIECE
 11069-06-000



DETAIL H (43F)

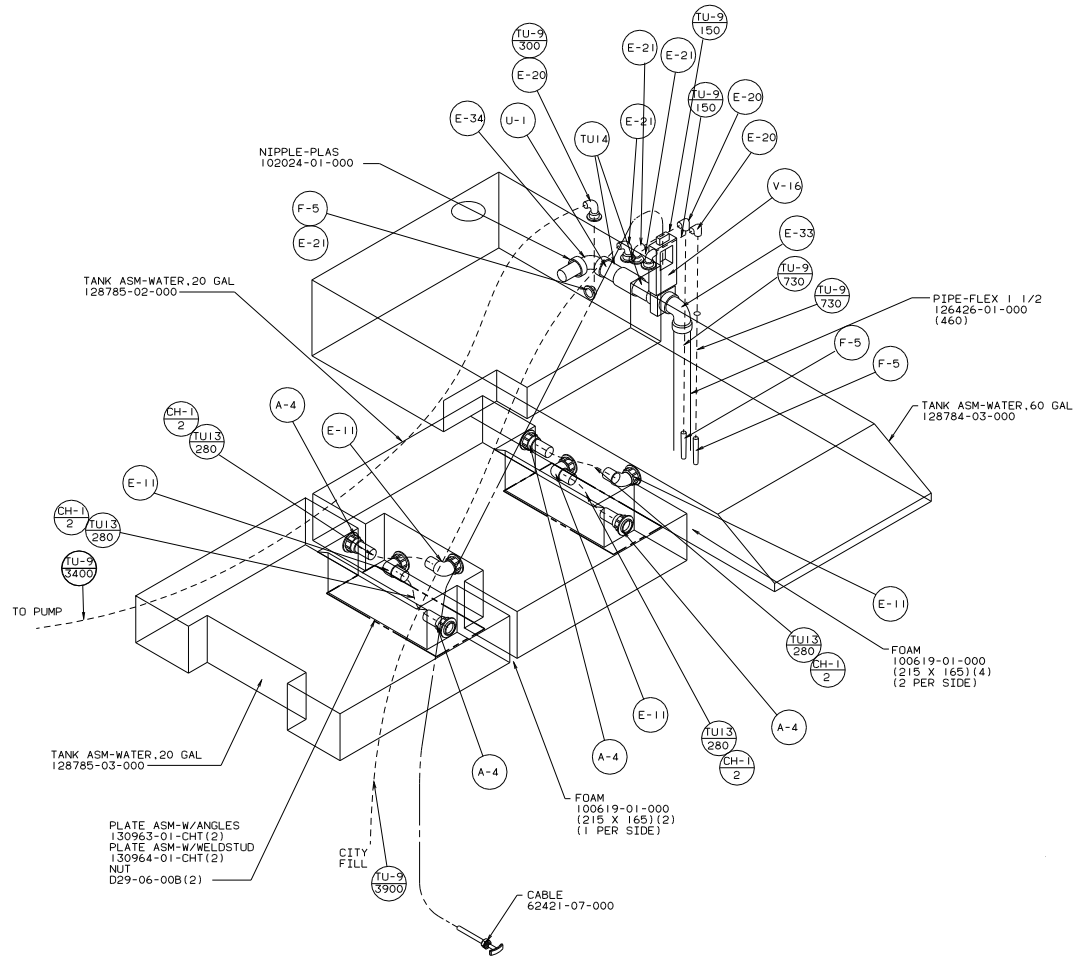
DWG NO	MODEL
137721-01	Q40J
137721-02	Q40JD
137721-03	Q40WD
137721-04	Q40E



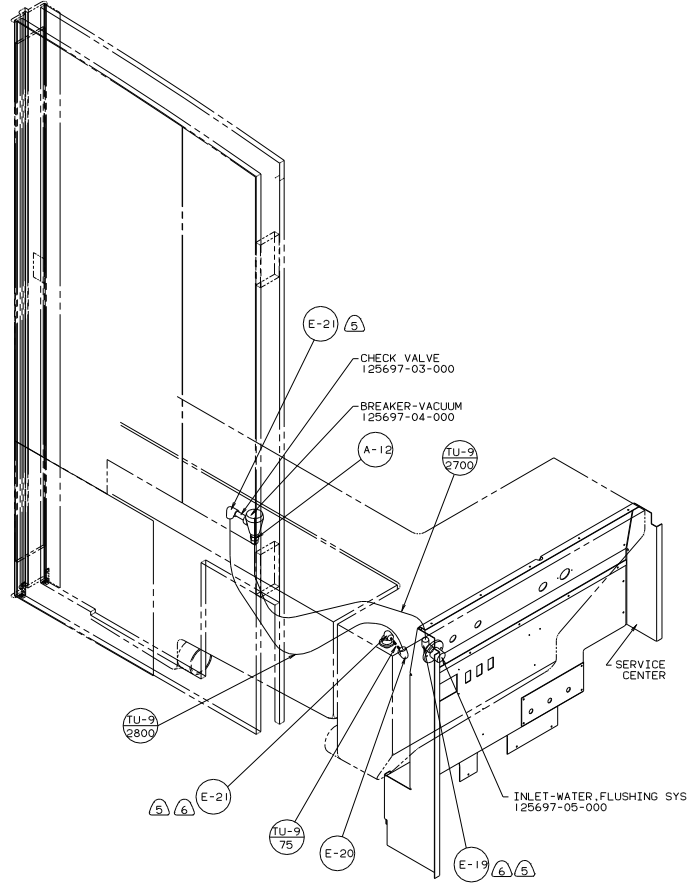
- 9 FLUSHING SYSTEM REQUIRES 125697-06-000 INSTRUCTION SHEET.
- (B) LOCATE BEHIND WASHER/DRYER.
- (A) USE DETAIL "G" IN THIS AREA (BOTH ENDS OF TUBING).
- (B) INSTALL WITH TANK.
- (B) WRAP WITH TEFLON TAPE 10405-02-000 TO FITTINGS.
- (A) PRE-DRILL SHOWER SURROUND WITH 5.0 DIA HOLES USING MOUNTING BRACKET AS A TEMPLATE.
- 3. ALL TUBING TO BE SECURED AT 1200 INTERVALS MAXIMUM WITH CLAMP 10495-01-000 OR CLIP 91951-01-000 AND SCREW G67-10-12B.
- 2. TUBING TO BE INSTALLED WITH SUFFICIENT SLOPE TO PROVIDE DRAINAGE TO NEAREST VALVE.
- 1. PLASTIC FITTINGS TO BE SEALED WITH SEALANT 84456-01-000.

- (530) WINTERIZING KIT
- (53J) WATER HEATER BY-PASS-VALVE
- (43F) SHOWER
- (43L) TUB/SHOWER
- (43H) SHOWER HEAD-HAND HELD
- (54E) WASHER/DRYER
- (215) DISHWASHER WITHOUT
- (21T) WASHER/DRYER-WITHOUT
- (21N) DISHWASHER/BUILT-IN

LEGEND		CORWEIGHT 2002		WINNERAGO INDUSTRIES, INC.		02 Q40J/JD	
HOT	-----	QTY	DATE	UNSPECIFIED TOLERANCES ARE:			
COLD	-----	CHDR	DATE	FRONT VIEW (1:1)			
		TYPE	DATE	FACE-PLATE (1:1)			
		DATE	DATE	ANGLE			
		DATE	DATE	THRU HOLES			
		DATE	DATE	PROJECTION			
<div style="border: 1px solid black; padding: 2px; display: inline-block;">X-X</div> FOR WATER CALLOUTS SEE DWG NO. 116230-01-000		DRAWN BY: Q40JD CHECKED BY:		TITLE: WATER SYSTEM INSTL			
DIA & SCALE: NONE		30 NET SCALE DRAWING		SHEET 1E OF 9			
ALL DIMENSIONS ARE IN MILLIMETERS		SHEET 1 OF 9		REF: 135145 S I 137721			



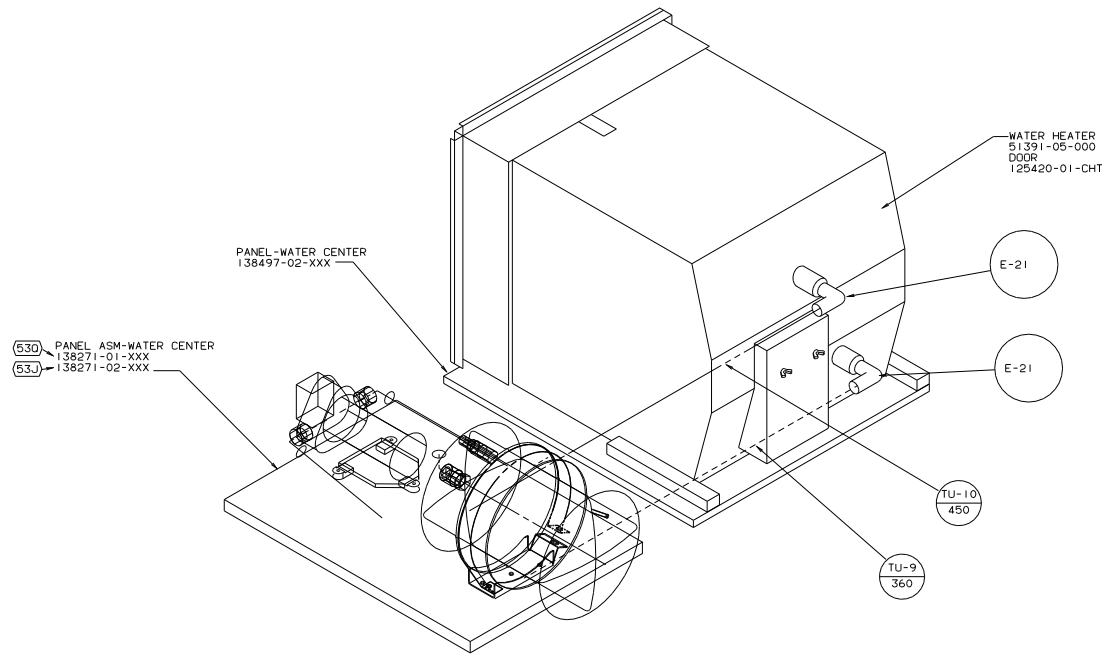
DETAIL A



DETAIL B
FLUSHING SYSTEM

02 Q40J, JD. WD. E

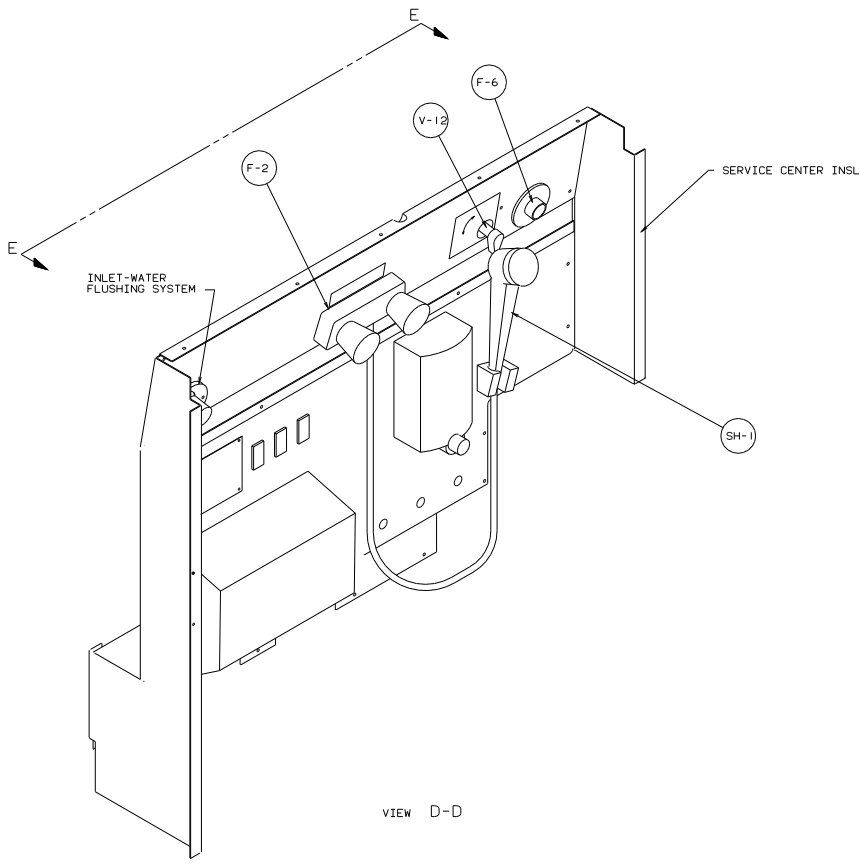
TITLE		WATER SYSTEM INSTL	
30 NET SCALE DRAWING	SIZE	DATE	137721
SHEET 2	OF 9	1 E	



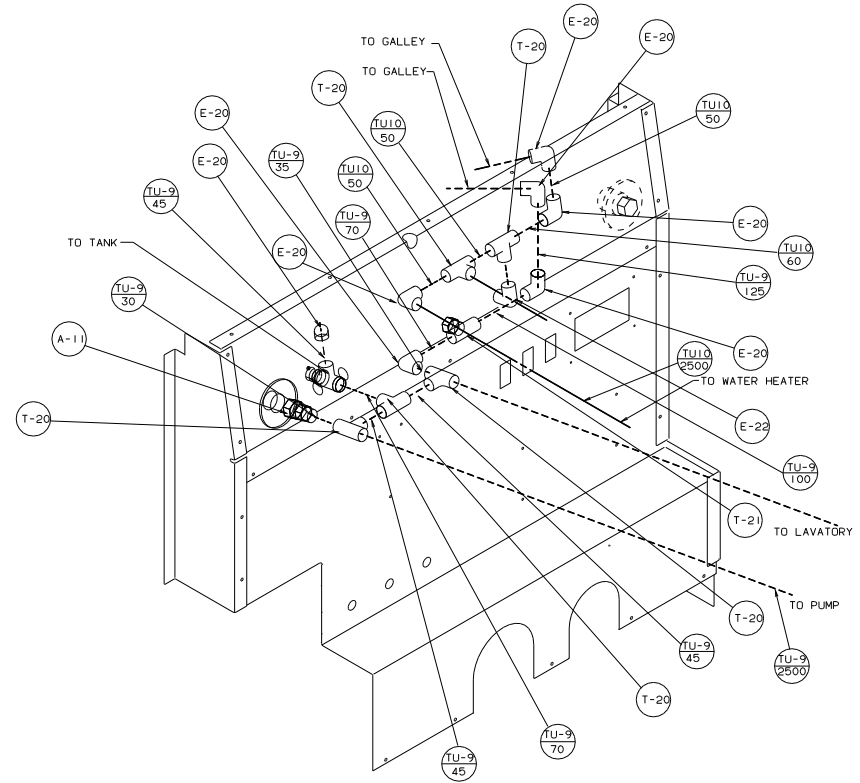
DETAIL C

02 Q40J, 4D, WD, E

TITLE: WATER SYSTEM INSTL	
30 MET SCALE DRAWING	SIZE 1/8"
SHEET 3 of 9	DWG NO 137721



VIEW D-D

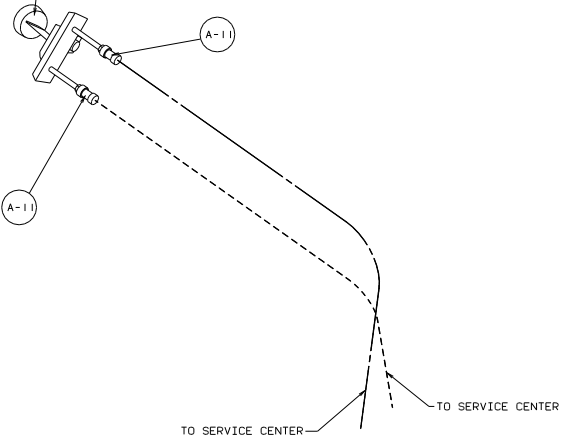


VIEW E-E

02 D40J, JD, WD, E

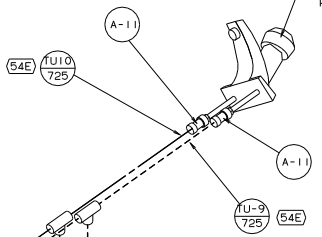
TITLE: WATER SYSTEM INSL		DWG NO 137721	
30 NET SCALE DRAWING	SIZE 1/8"	SHEET 4 OF 9	

FAUCET
128997-01-CHT (40J)
FAUCET
134735-01-CHT (40JD,40WD)
POP UP FAUCET
110760-04-000 (JD,WD)



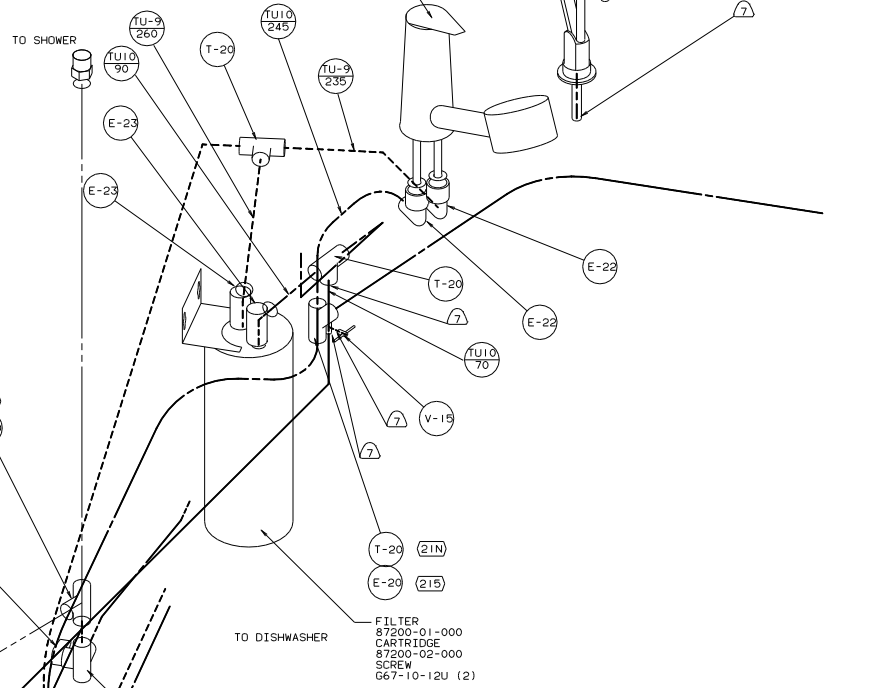
DETAIL H

FAUCET
128997-01-CHT (40J,40E)
FAUCET
134735-01-CHT (40JD,40WD)
POP UP FAUCET
110760-04-000 (JD,WD)



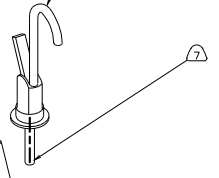
DETAIL J

FAUCET
123744-03-CHT (40J,40E)
123744-01-CHT (40JD,40WD)
BACKING-FAUCET
139295-01-CHT



DETAIL K

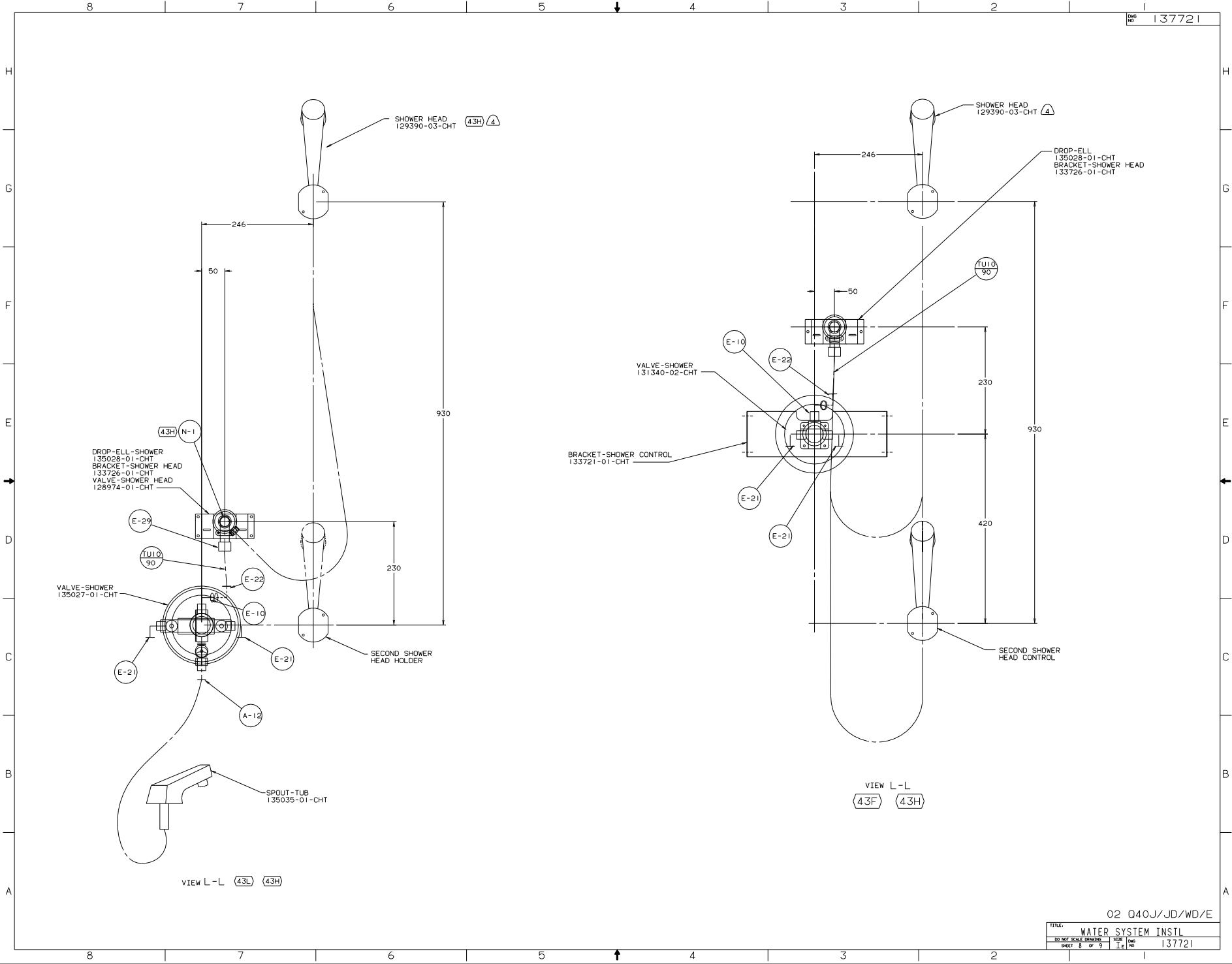
FAUCET
103635-01-000 (40J,40E)
103635-03-000 (40JD,40WD)



FILTER
87200-01-000
CARTRIDGE
87200-02-000
SCREW
G67-10-12U (2)

02 Q40J, JD, WD, E

TITLE: WATER SYSTEM INSTL		DATE	DWG NO
30 NET SCALE DRAWING	SHEET	1	137721
SHEET	6	OF	8



TITLE:		02 Q40J/JD/WD/E	
WATER SYSTEM INSTL			
30 NET SCALE DRAWING	DATE	1	1
SHEET 8 OF 9	REV	1	1
	NO		137721

