



**DANGER**

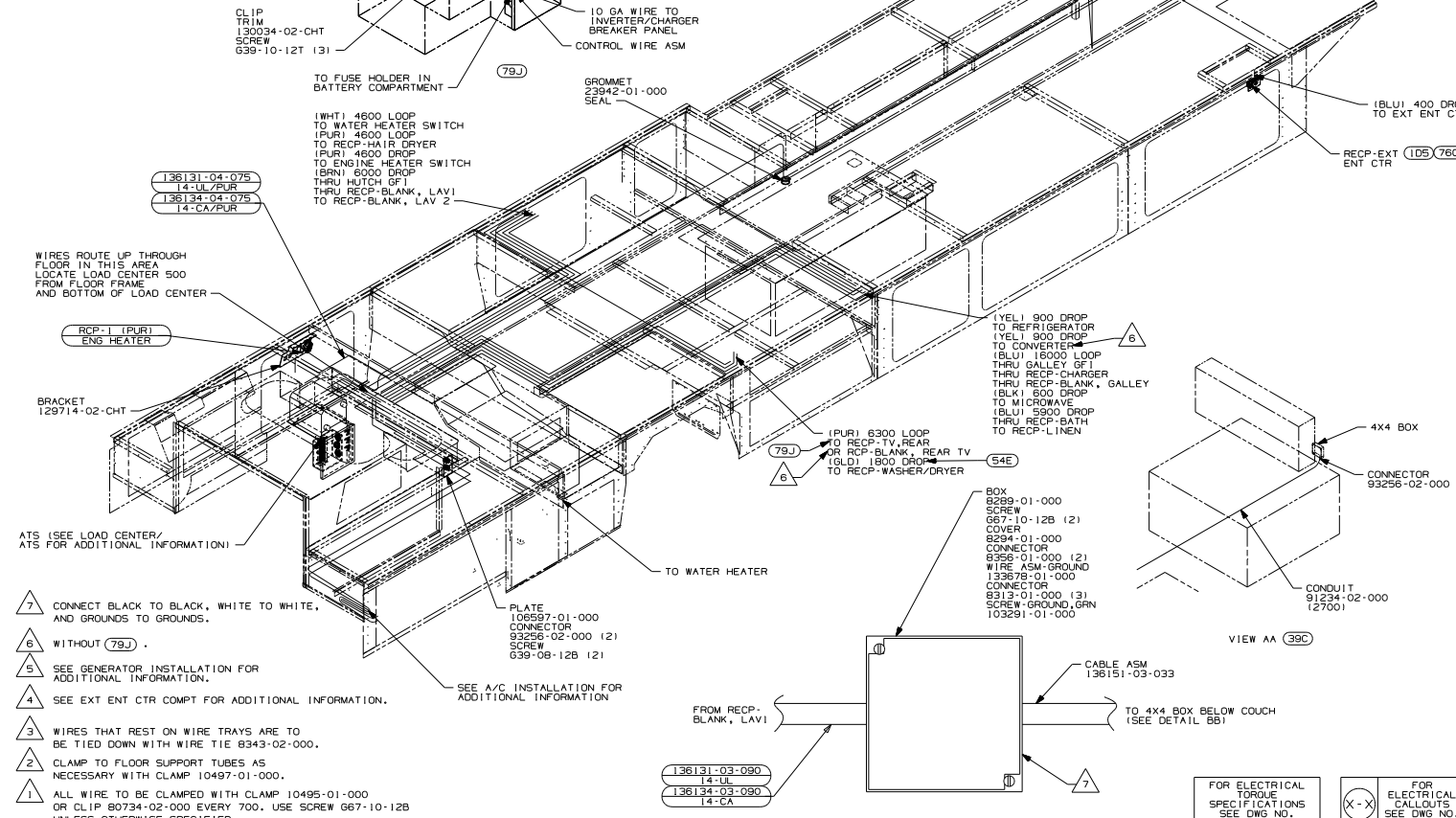
**Danger of electrical shock, burns or death.** Always remove all power sources before attempting any repair, service or diagnostic work. Power can be present from shore power, generator, inverter or battery. All power sources must be disabled and secured before performing any service.



**CAUTION**

If you lack the skills, tools or equipment to perform diagnostic or repair work leave such work to an authorized Winnebago Industries dealer or other qualified shop.

DRAWING NO.	FEATURE
140178-01	-----
140178-11	(1B1) (12D)
140178-12	(1B1) (7BJ)
140178-13	(1B1) (12D) (79J)
140178-14	(1B1) (7BJ) (79J)
140178-15	(265) (12D)
140178-16	(265) (7BJ)
140178-17	(265) (12D) (79J)
140178-18	(265) (7BJ) (79J)



- 7 CONNECT BLACK TO BLACK, WHITE TO WHITE, AND GROUNDS TO GROUNDS.
- 6 WITHOUT (79J).
- 5 SEE GENERATOR INSTALLATION FOR ADDITIONAL INFORMATION.
- 4 SEE EXT ENT CTR COMPT FOR ADDITIONAL INFORMATION.
- 3 WIRES THAT REST ON WIRE TRAYS ARE TO BE TIED DOWN WITH WIRE TIE 8343-02-000.
- 2 CLAMP TO FLOOR SUPPORT TUBES AS NECESSARY WITH CLAMP 10497-01-000.
- 1 ALL WIRE TO BE CLAMPED WITH CLAMP 10495-01-000 OR CLIP 80734-02-000 EVERY 700. USE SCREW 667-10-12B UNLESS OTHERWISE SPECIFIED.

- (79J) INVERTER/CHARGER-1,500 WATT
- (40B) INVERTER-DC/AC-300 WATT
- (67D) GEN-7,5KW-ONAN-QUIET DIESEL
- (54E) WASHER/DRYER
- (76C) ENTERTAINMENT CTR/EXT CASSETTE
- (1D5) ENTERTAINMENT CENTER/EXT W/CD
- (39C) GEN-6,5KW ONAN LP MARO GOLD
- (1B1) (265) (12D) (7BJ)

**WINNEBAGO**

ORIG. N \_\_\_\_\_ ORIG. DATE B/22/01

DWR \_\_\_\_\_ ALL DIMENSIONS ARE IN MILLIMETERS

P.E. \_\_\_\_\_

W.E. \_\_\_\_\_ FIRST USED \_\_\_\_\_

DRAWN \_\_\_\_\_

UNSPECIFIED TOLERANCES ARE: MATERIAL: \_\_\_\_\_

HOLES DIM. ± .01

ONE-PLACE ± .01

TWO-PLACE ± .005

THREE-PLACE ± .002

FINISH \_\_\_\_\_

THIRD ANGLE PROJECTION

DO NOT SCALE DRAWING

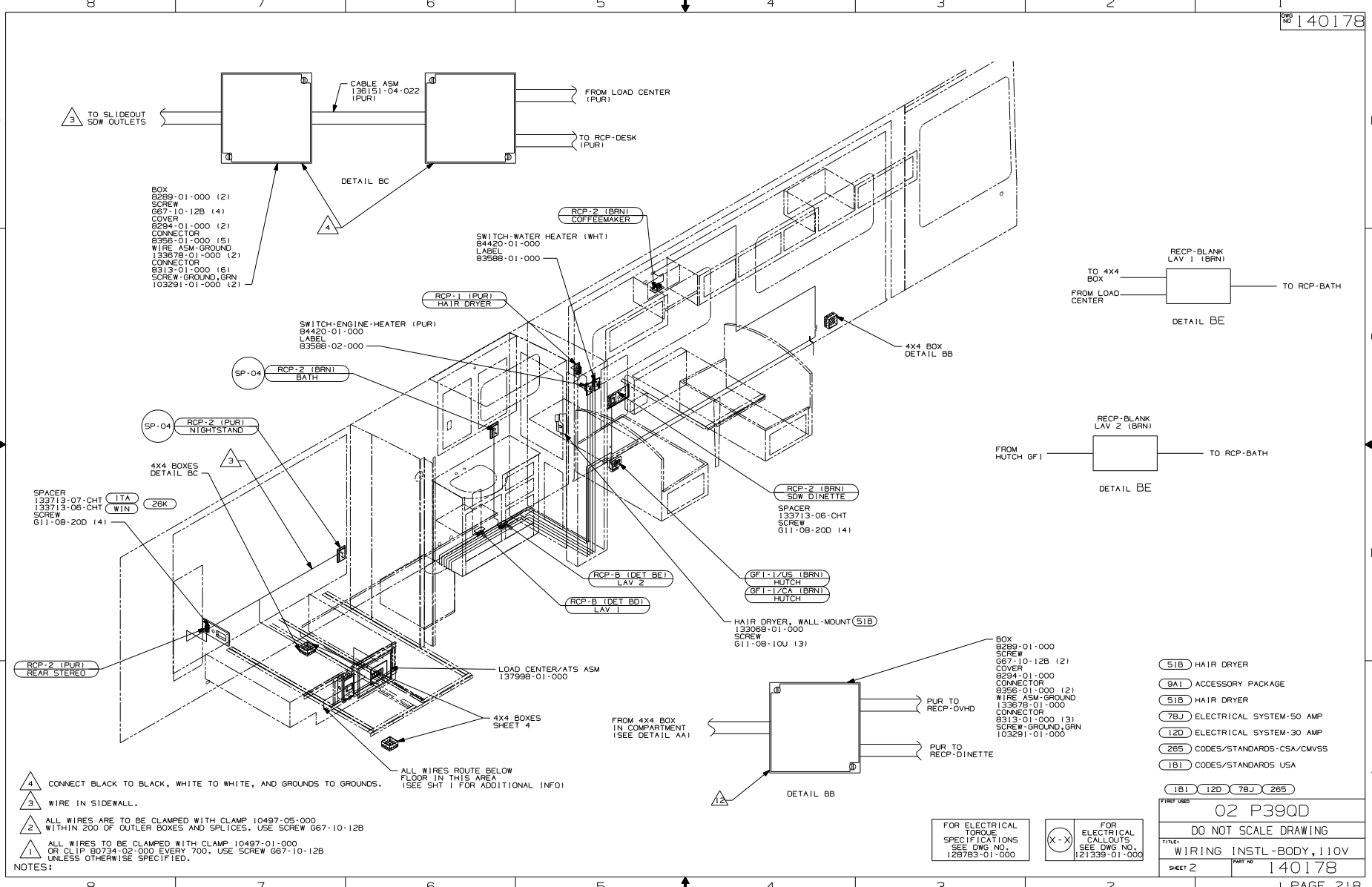
TITLE: WIRING INSTL-BODY,110V

SHEET 1 of 4 PART NO 140178

REF: NONE 1 PAGE 217

FOR ELECTRICAL TORQUE SPECIFICATIONS SEE DWG NO. 128793-01-000

FOR ELECTRICAL CALLOUTS SEE DWG NO. 121339-01-000



- BOX 8289-01-000 (2)
- SCREW 667-10-12B (4)
- COVER 8294-01-000 (2)
- CONNECTOR 8356-01-000 (5)
- WIRE ASM-GROUND 133678-01-000 (2)
- CONNECTOR 8313-01-000 (6)
- SCREW-GROUND, GRN 103291-01-000 (2)

SWITCH-WATER HEATER (WHT)  
84420-01-000  
LABEL 83588-01-000

SWITCH-ENGINE HEATER (PUR)  
84420-01-000  
LABEL 83588-02-000

SP-04 RCP-2 (BRN) BATH

SP-04 RCP-2 (PUR) NIGHTSTAND

4X4 BOXES DETAIL BC

SPACER 133713-07-CHT LTA WIN 26K 133713-06-CHT SCREW 611-08-20D (4)

RCP-2 (PUR) REAR STEREO

LOAD CENTER/ATS ASM 137998-01-000

FROM 4X4 BOX IN COMPARTMENT (SEE DETAIL AA)

HAIR DRYER, WALL-MOUNT (SIB)  
13306B-01-000  
SCREW 611-08-10U (3)

RCP-2 (BRN) SDW DINETTE  
SPACER 133713-08-CHT SCREW 611-08-20D (4)

FROM HUTCH GF1

RCP-BLANK LAV 2 (BRN)  
DETAIL BE

TO 4X4 BOX FROM LOAD CENTER  
RCP-BLANK LAV 1 (BRN)  
DETAIL BE

PUR TO RCP-OVHD  
PUR TO RCP-DINETTE

DETAIL BB

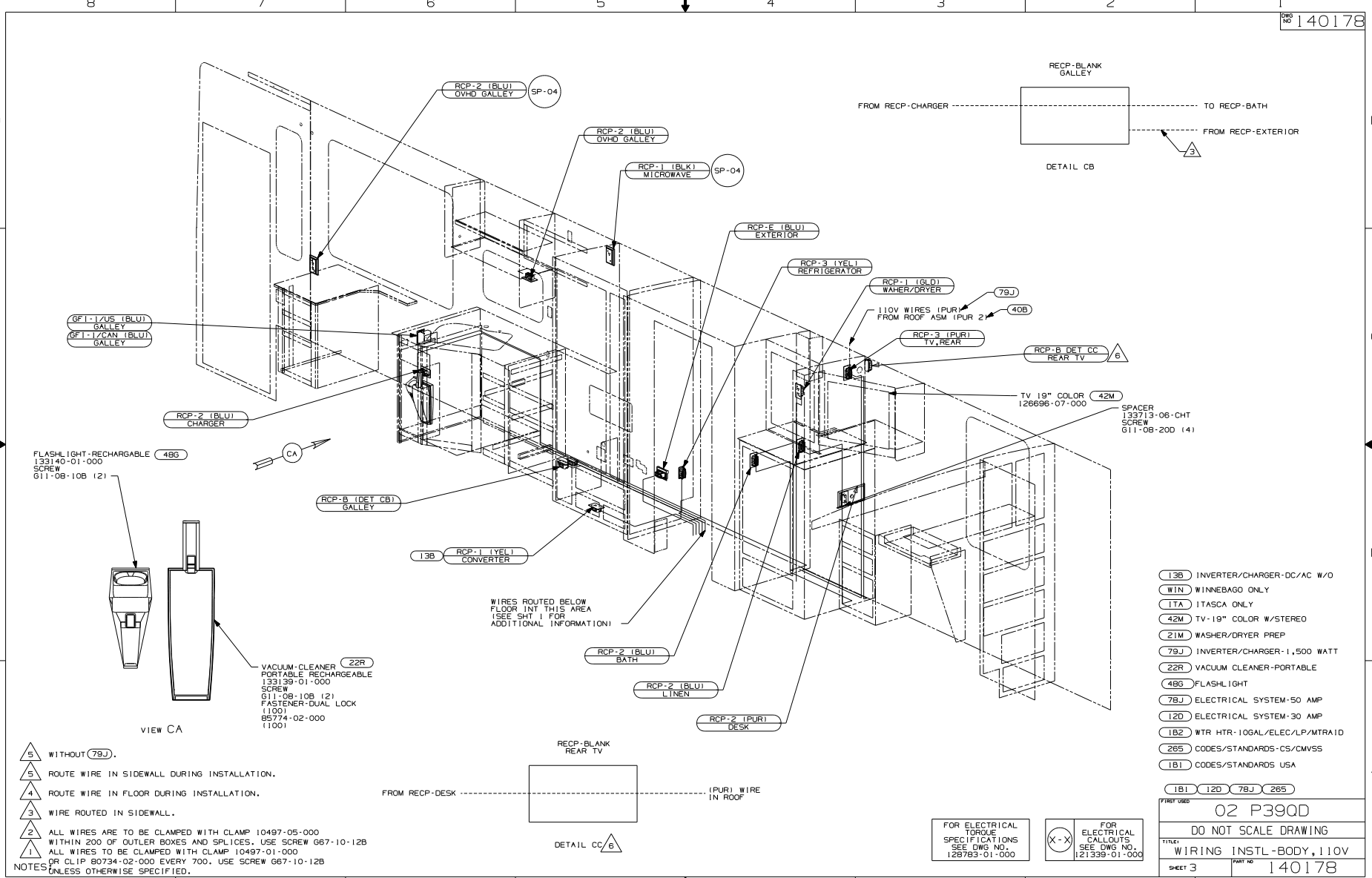
- (SIB) HAIR DRYER
- (9A1) ACCESSORY PACKAGE
- (S1B) HAIR DRYER
- (78J) ELECTRICAL SYSTEM-50 AMP
- (12D) ELECTRICAL SYSTEM-30 AMP
- (265) CODES/STANDARDS-CSA/CMVSS
- (1B1) CODES/STANDARDS USA

FIRST USED	
02 P390D	
DO NOT SCALE DRAWING	
TITLE:	WIRING INSTL-BODY, 110V
SHEET 2	PART NO 140178

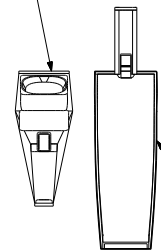
FOR ELECTRICAL TORQUE SPECIFICATIONS SEE DWG NO. 128793-01-000

FOR ELECTRICAL CALLOUTS SEE DWG NO. 121339-01-000

- 4 CONNECT BLACK TO BLACK, WHITE TO WHITE, AND GROUNDS TO GROUNDS.
  - 3 WIRE IN SIDEWALL.
  - 2 ALL WIRES ARE TO BE CLAMPED WITH CLAMP 10497-05-000 WITHIN 200 OF OUTLER BOXES AND SPLICES. USE SCREW 667-10-12B
  - 1 ALL WIRES TO BE CLAMPED WITH CLAMP 10497-01-000 OR CLIP 80734-02-000 EVERY 700. USE SCREW 667-10-12B UNLESS OTHERWISE SPECIFIED.
- NOTES:



FLASHLIGHT-RECHARGEABLE (48G)  
133140-01-000  
SCREW  
G11-08-10B (2)



VIEW CA

VACUUM-CLEANER (22R)  
PORTABLE RECHARGEABLE  
133139-01-000  
SCREW  
G11-08-10B (2)  
FASTENER-DUAL LOCK  
(100)  
85774-02-000  
(100)

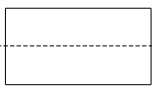
WIRES ROUTED BELOW  
FLOOR INT THIS AREA  
(SEE SH1 FOR  
ADDITIONAL INFORMATION)

- 5 WITHOUT (79J).
  - 5 ROUTE WIRE IN SIDEWALL DURING INSTALLATION.
  - 4 ROUTE WIRE IN FLOOR DURING INSTALLATION.
  - 3 WIRE ROUTED IN SIDEWALL.
  - 2 ALL WIRES ARE TO BE CLAMPED WITH CLAMP 10497-05-000 WITHIN 200 OF OUTLER BOXES AND SPLICES. USE SCREW G67-10-12B
  - 1 ALL WIRES TO BE CLAMPED WITH CLAMP 10497-01-000 OR CLIP 80734-02-000 EVERY 700. USE SCREW G67-10-12B
- NOTES UNLESS OTHERWISE SPECIFIED.

- (13B) INVERTER/CHARGER-DC/AC W/O
- (WIN) WINNEBAGO ONLY
- (ITA) ITASCA ONLY
- (42M) TV-19" COLOR W/STEREO
- (21M) WASHER/DRYER PREP
- (79J) INVERTER/CHARGER-1,500 WATT
- (22R) VACUUM CLEANER-PORTABLE
- (48G) FLASHLIGHT
- (79J) ELECTRICAL SYSTEM-50 AMP
- (12D) ELECTRICAL SYSTEM-30 AMP
- (1B2) WTR HTR-10GAL/ELEC/LP/MTR/10
- (265) CODES/STANDARDS-CS/CMVSS
- (1B1) CODES/STANDARDS USA

(1B1) (12D) (79J) (265)

RECP-BLANK REAR TV



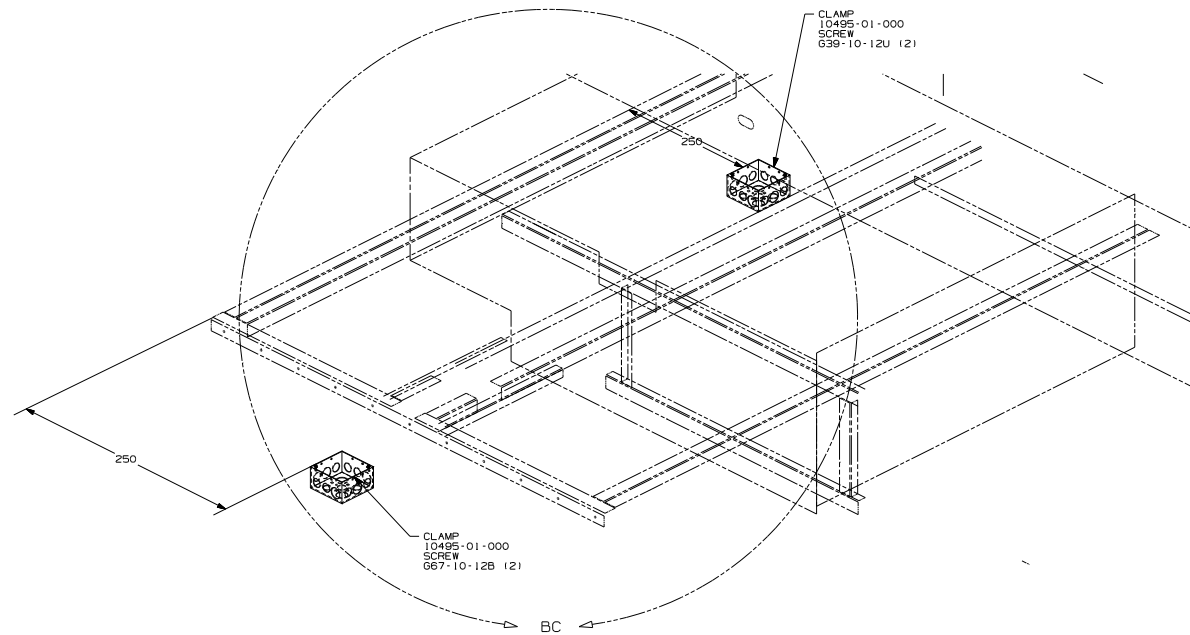
DETAIL CC

FOR ELECTRICAL TORQUE SPECIFICATIONS SEE DWG NO. 128793-01-000



FOR ELECTRICAL CALLOUTS SEE DWG NO. 121339-01-000

02 P390D  
DO NOT SCALE DRAWING  
WIRING INSTL-BODY,110V  
SHEET 3 PART NO 140178



- 4. SEE WIRING DIAGRAM-BODY FOR ADDITIONAL INFORMATION.
- 3. ALL GROUND WIRE TO BE COVERED WITH TUBING 8041-02-000.
- 2. ALL 110V WIRE TO BE CLAMPED WITH CLAMP 10497-05-000 WITHIN 200 OF OUTLET BOXES, USE SCREW 667-10-12B.
- 1. ALL WIRES TO BE SECURED WITH CLAMP 10495-01-000 OR CLIP 80734-01-000 EVERY 600MM. USE SCREW 667-10-12B UNLESS OTHERWISE SPECIFIED.

NOTES:

(265) CODES/STANDARDS-CSA/CMVSS

(IB1) CODES/STANDARDS USA

(IB1) (265)

FIRST USED 02 P39QD

DO NOT SCALE DRAWING

TITLE: WIRING INSTL-BODY,110V

SHEET 4 PART NO 140178

FOR ELECTRICAL TORQUE SPECIFICATIONS SEE DWG NO. 128793-01-000

FOR ELECTRICAL CALLOUTS SEE DWG NO. 121339-01-000

