



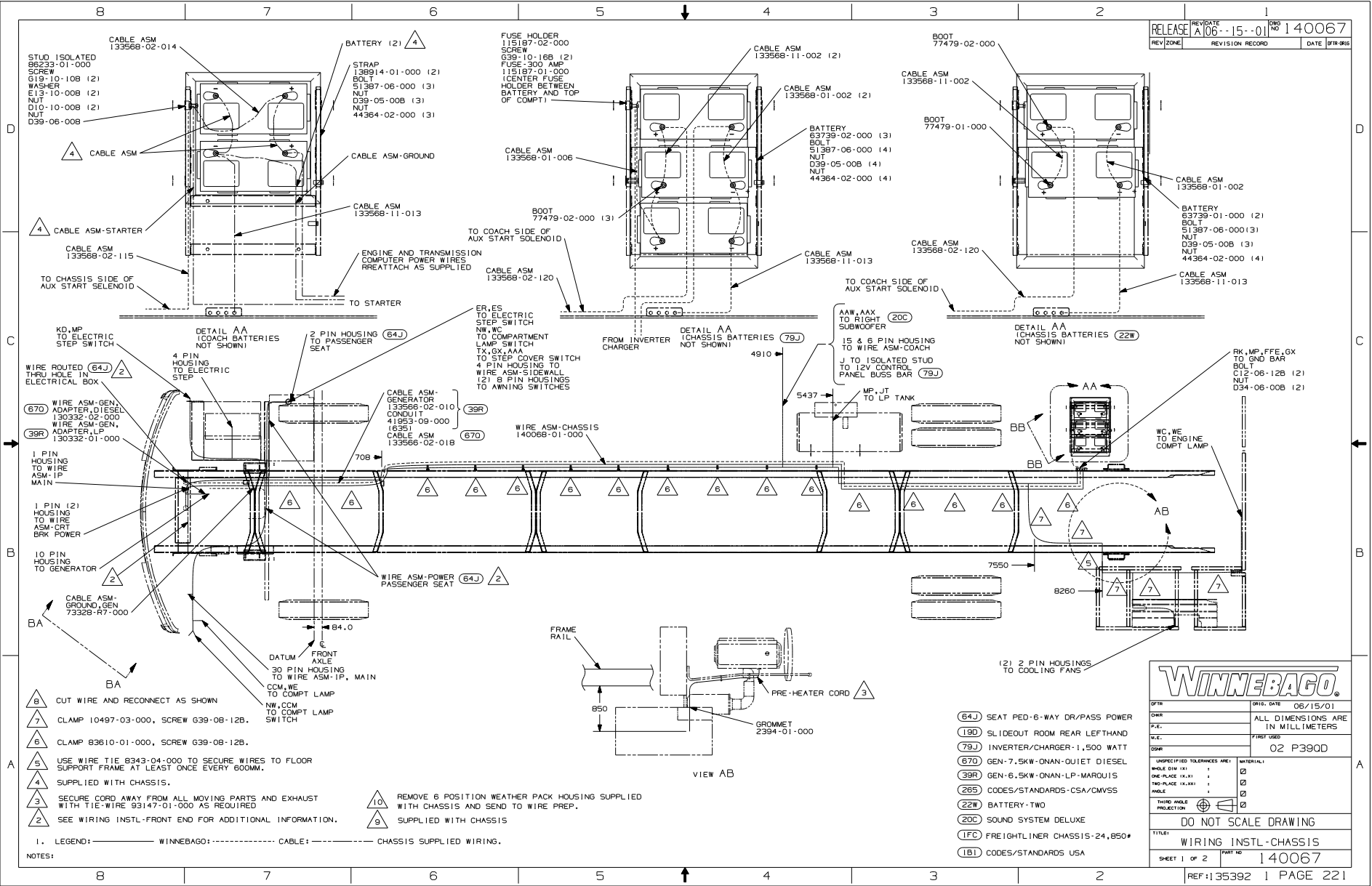
DANGER

Danger of electrical shock, burns or death. Always remove all power sources before attempting any repair, service or diagnostic work. Power can be present from shore power, generator, inverter or battery. All power sources must be disabled and secured before performing any service.



CAUTION

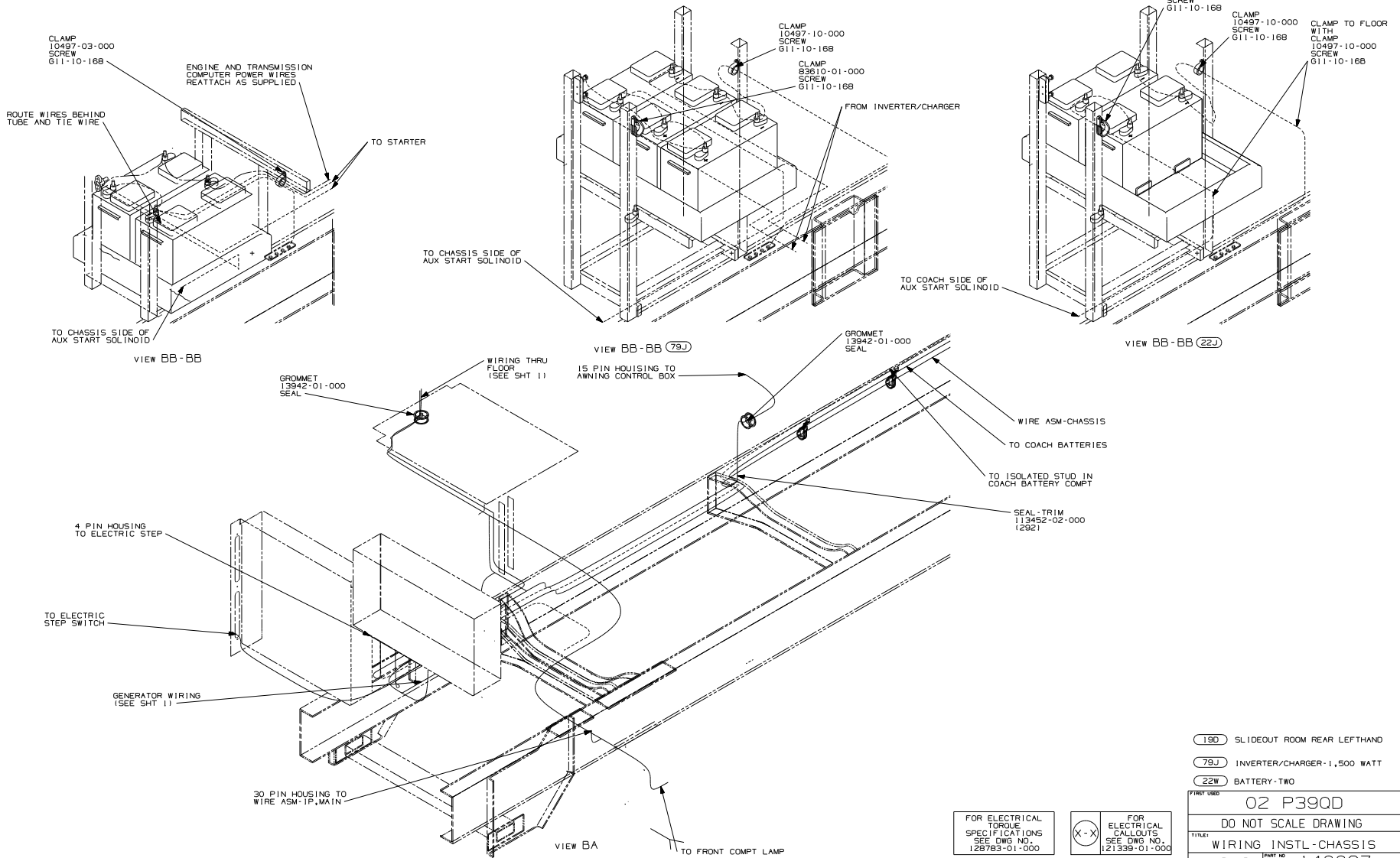
If you lack the skills, tools or equipment to perform diagnostic or repair work leave such work to an authorized Winnebago Industries dealer or other qualified shop.



WINNEBAGO

QTR: _____ ORG. DATE: 06/15/01
 DWR: _____ ALL DIMENSIONS ARE IN MILLIMETERS
 P.E.: _____
 V.E.: _____ FIRST USED: _____
 DWN: _____
 UNSPECIFIED TOLERANCES ARE: MATERIAL:
 HOLE DIA (X) 1: 1 0
 ONE-PLACE (X) .01: 1 0
 TWO-PLACE (X) .003: 1 0
 FINISH: 1 0
 THIRD ANGLE PROJECTION
 DO NOT SCALE DRAWING
 TITLE: WIRING INSTL-CHASSIS
 SHEET 1 of 2 PART NO. 140067

- (1) LEGEND: ——— WINNEBAGO: --- CABLE: - - - CHASSIS SUPPLIED WIRING.
- (2) SEE WIRING INSTL-FRONT END FOR ADDITIONAL INFORMATION.
- (3) SECURE CORD AWAY FROM ALL MOVING PARTS AND EXHAUST WITH TIE-WIRE 93147-01-000 AS REQUIRED
- (4) SUPPLIED WITH CHASSIS.
- (5) USE WIRE TIE 8343-04-000 TO SECURE WIRES TO FLOOR SUPPORT FRAME AT LEAST ONCE EVERY 600MM.
- (6) CLAMP 83610-01-000, SCREW 639-08-12B.
- (7) CLAMP 10497-03-000, SCREW 639-08-12B.
- (8) CUT WIRE AND RECONNECT AS SHOWN
- (9) SUPPLIED WITH CHASSIS
- (10) REMOVE 6 POSITION WEATHER PACK HOUSING SUPPLIED WITH CHASSIS AND SEND TO WIRE PREP.



- (19D) SLIDEOUT ROOM REAR LEFTHAND
- (79J) INVERTER/CHARGER-1,500 WATT
- (22W) BATTERY-TWO

FIRST USED	
02 P390D	
DO NOT SCALE DRAWING	
TITLE: WIRING INSTL-CHASSIS	
SHEET 2 of 2	PART NO 140067

FOR ELECTRICAL TORQUE SPECIFICATIONS SEE DWG NO. 128793-01-000

FOR ELECTRICAL CALLOUTS SEE DWG NO. 121339-01-000