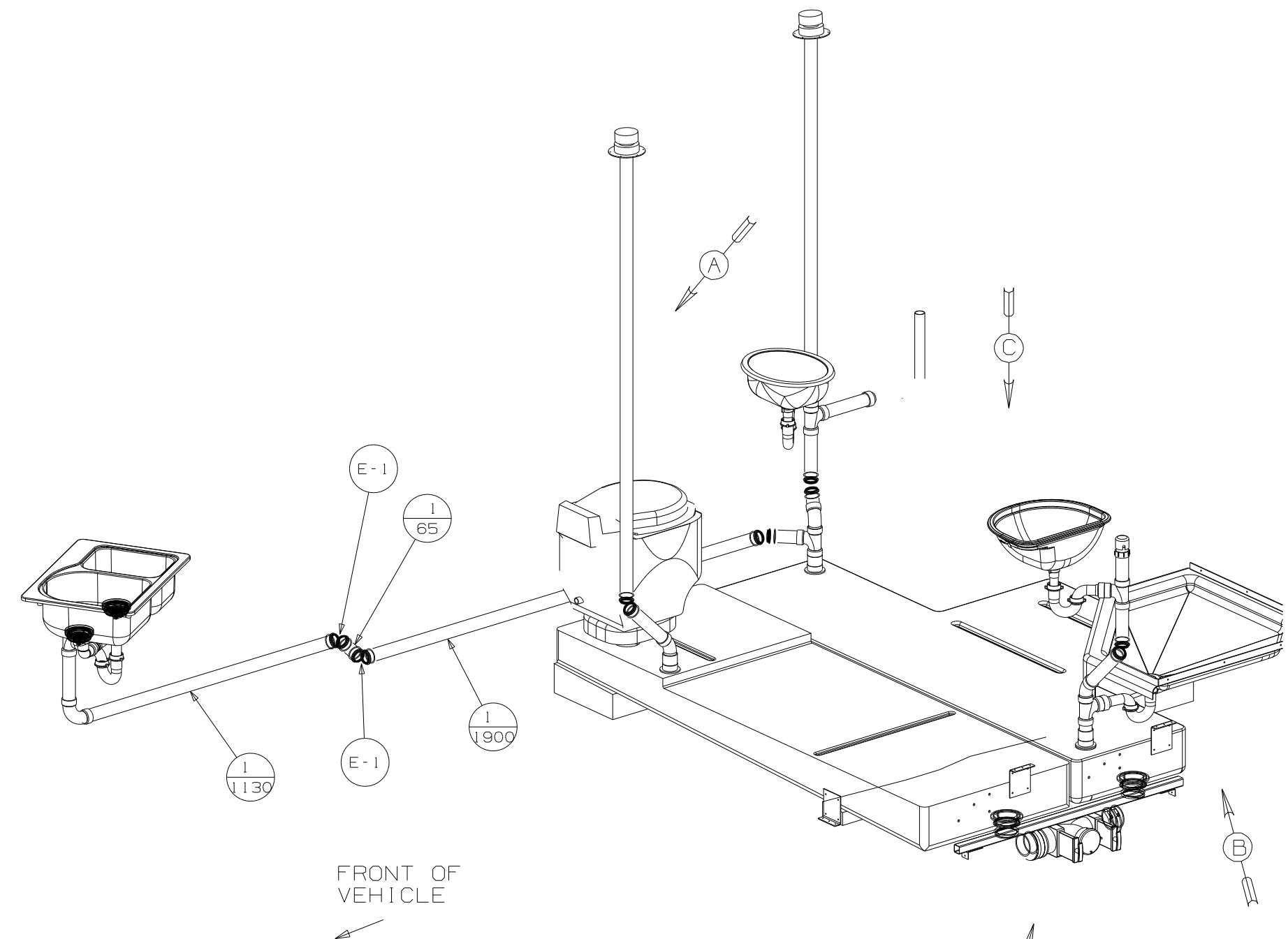


DWG NO	----
139795-01	ITASCA
139795-02	WINNEBAGO

RELEASE	REV DATE	DWG NO	139795
REV ZONE	REVISION RECORD	DATE	DFTR-ORIG



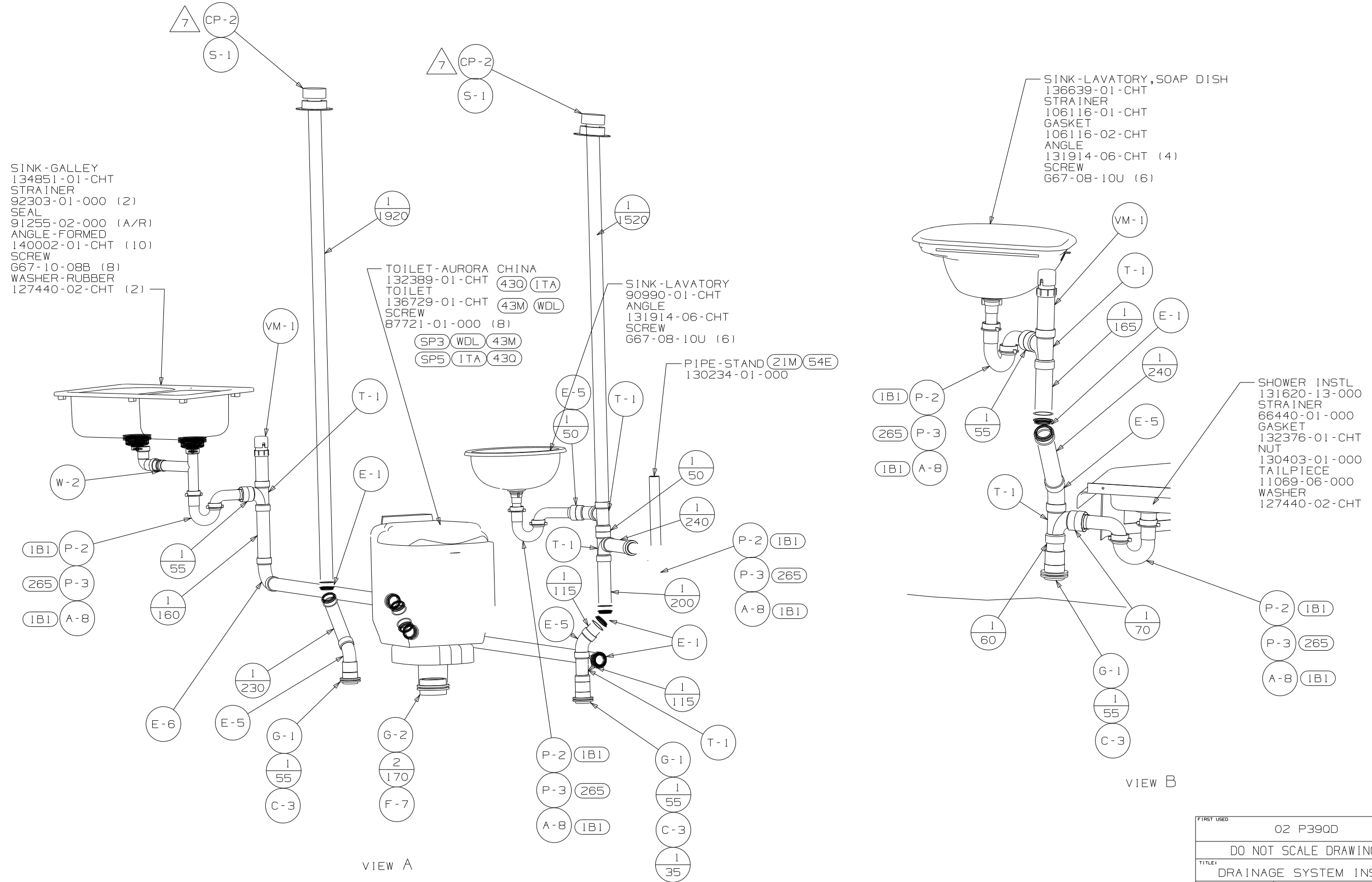
FRONT OF VEHICLE
←

- (430) TOILET-PORCELAIN
- (ITA) ITASCA
- (43M) TOILET PORCELAIN-ELONGATE
- (WDL) WINNEBAGO DELUXE UPGRADE
- (1B1) CODES/STANDARDS-USA
- (265) CODES/STANDARDS-CSA/CMVSS
- (21M) WASHER/DRYER PREP
- (54E) WASHER/DRYER

- NOTES:
7. VENT PIPE MUST PROJECT 51 MIN AND 63.5 MAX ABOVE ROOF FOR PROPER FIT AND FUNCTION.
 6. FASTEN TO BOTTOM OF UPPER FLOOR.
 5. SEAL AROUND SHOWER WITH SILICONE.
 4. ALL EXTERIOR OPENINGS AROUND PIPE TO BE SEALED WITH 110744-01-000.
 3. ALL PIPE AND FITTINGS TO BE ASSEMBLED WITH SOLVENT 4020-01-000.
 2. SLOPE OF TRAP ARM MUST BE 6 PER 305 MM.
 1. SLOPE OF HORIZONTAL PIPING TO BE 6 PER 305 MM.

(X-X)
FOR DRAINAGE CALLOUTS SEE DWG NO 116229-01-000

WINNEBAGO		COPYRIGHT 2002 WINNEBAGO INDUSTRIES, INC.	
DFTR	ORIG. DATE	ALL DIMENSIONS ARE IN MILLIMETERS	
CHKR		FIRST USED	
P.E.		02 P390D	
M.E.		UNSPECIFIED TOLERANCES ARE:	
DSNR		MATERIAL:	
		WHOLE DIM (X)	: 7
		ONE-PLACE (X.X)	:
		TWO-PLACE (X.XX)	:
		ANGLE	:
THIRD ANGLE PROJECTION		DO NOT SCALE DRAWING	
TITLE:		DRAINAGE SYSTEM INSTL	
SHEET 1 OF 3		PART NO 139795	



SINK-GALLEY
 134851-01-CHT
 STRAINER
 92303-01-000 (2)
 SEAL
 91255-02-000 (A/R)
 ANGLE-FORMED
 140002-01-CHT (10)
 SCREW
 G67-10-08B (8)
 WASHER-RUBBER
 127440-02-CHT (2)

TOILET-AURORA CHINA
 132389-01-CHT (430) (ITA)
 TOILET
 136729-01-CHT (43M) (WDL)
 SCREW
 B7721-01-000 (8)
 SP3 WDL 43M
 SP5 ITA 430

SINK-LAVATORY
 90990-01-CHT
 ANGLE
 131914-06-CHT
 SCREW
 G67-08-10U (6)

PIPE-STAND (21M) (54E)
 130234-01-000

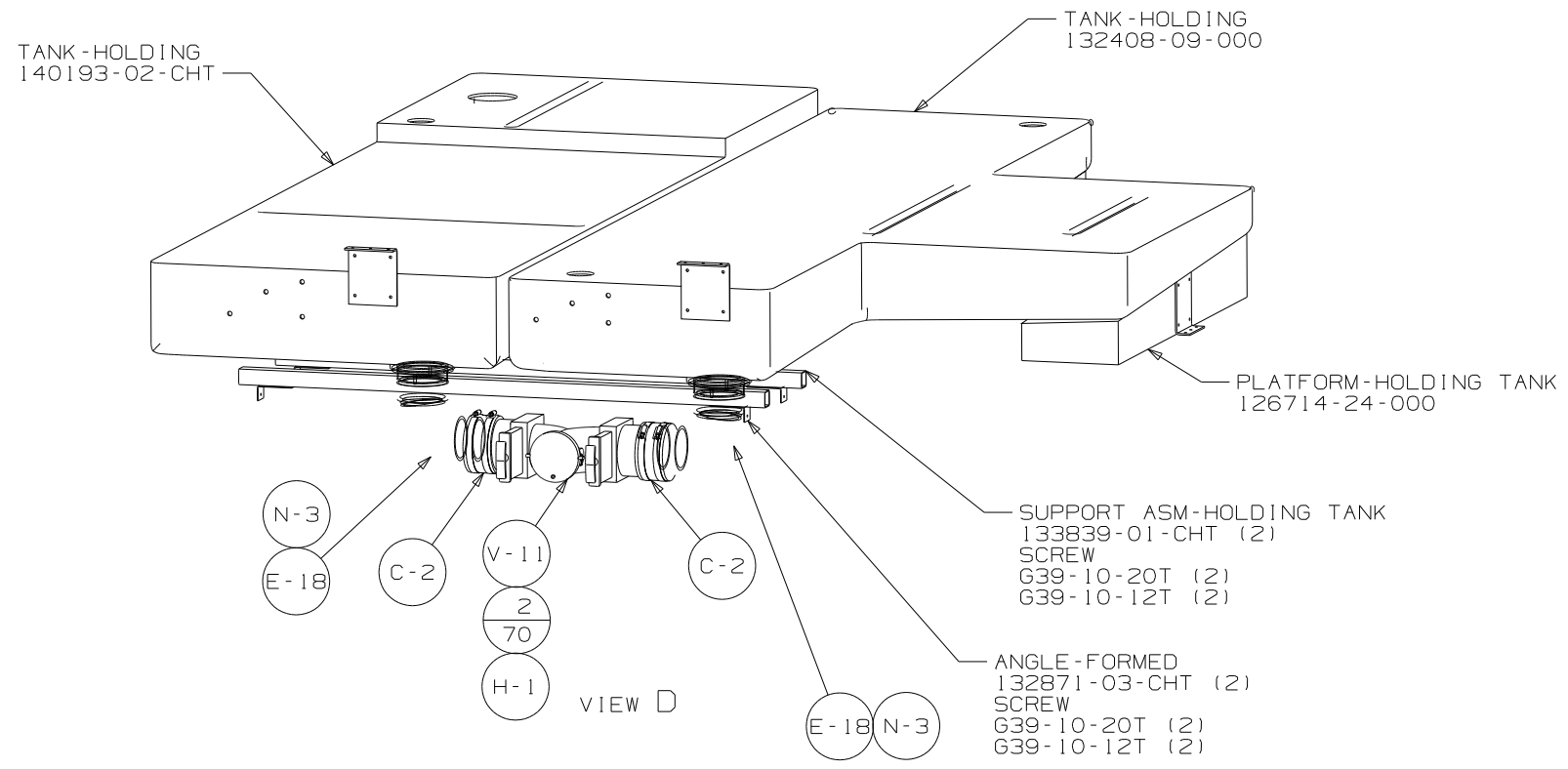
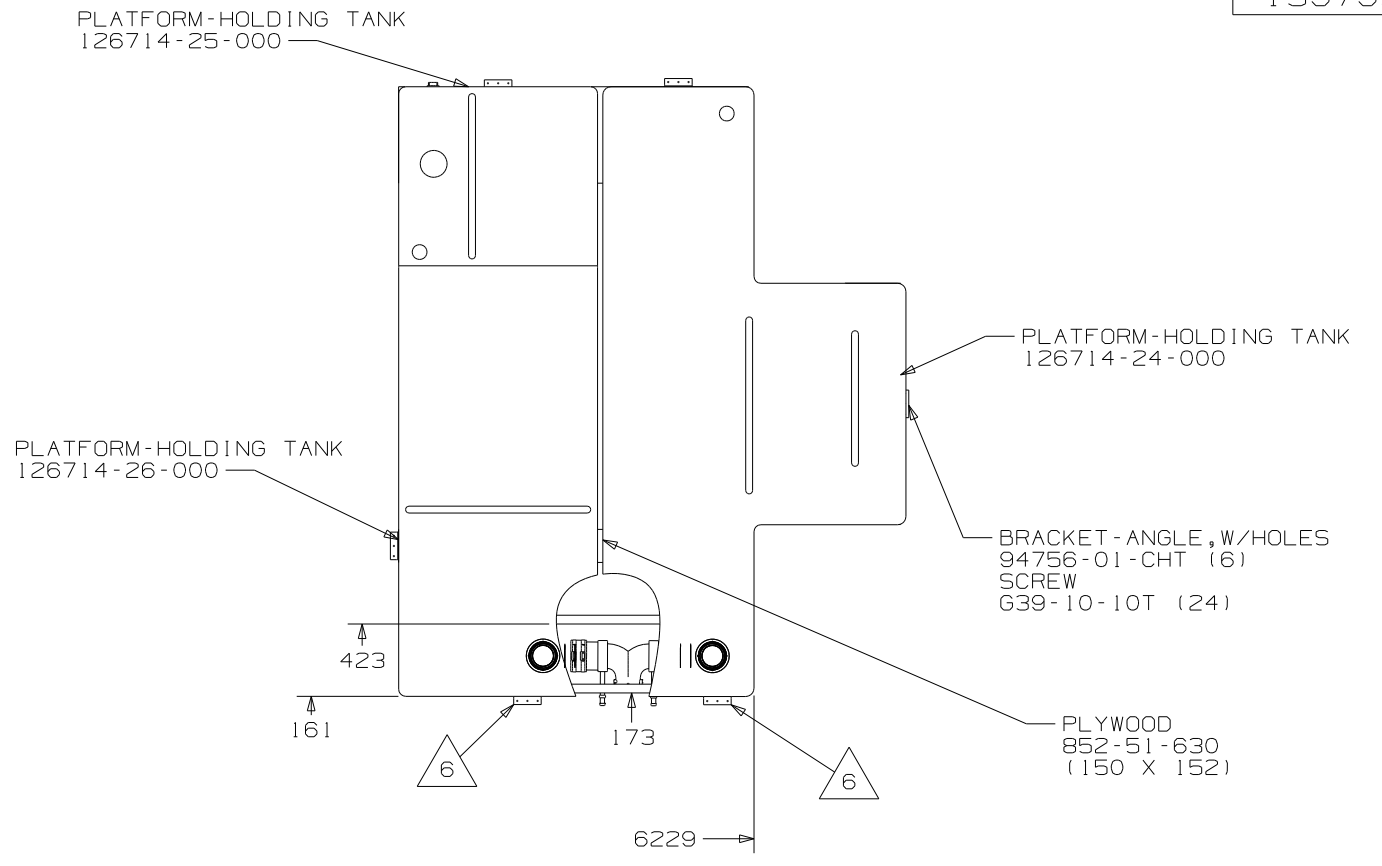
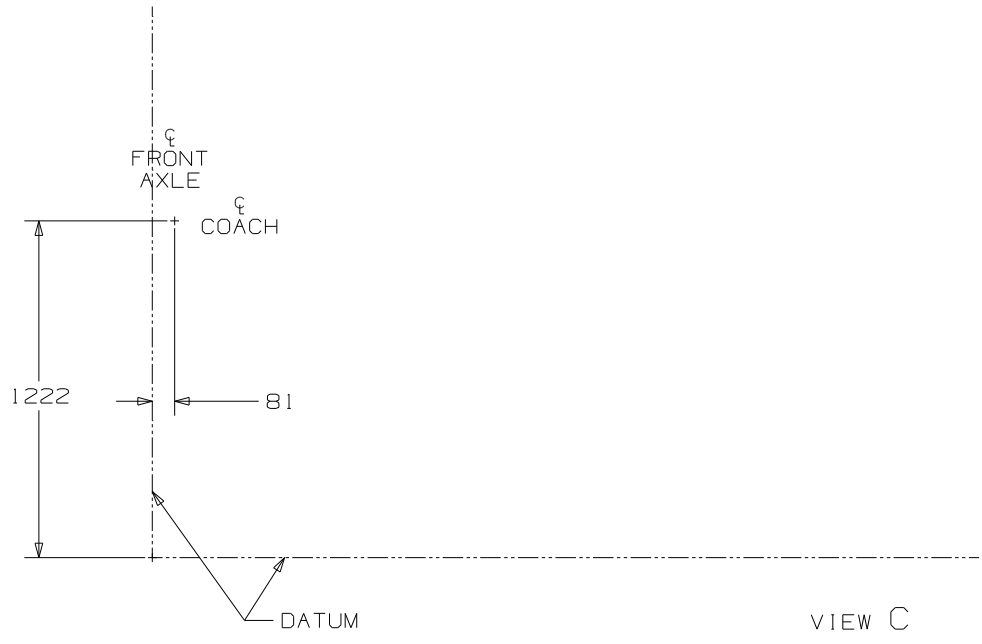
SINK-LAVATORY, SOAP DISH
 136639-01-CHT
 STRAINER
 106116-01-CHT
 GASKET
 106116-02-CHT
 ANGLE
 131914-06-CHT (4)
 SCREW
 G67-08-10U (6)

SHOWER INSTL
 131620-13-000
 STRAINER
 66440-01-000
 GASKET
 132376-01-CHT
 NUT
 130403-01-000
 TAILPIECE
 11069-06-000
 WASHER
 127440-02-CHT

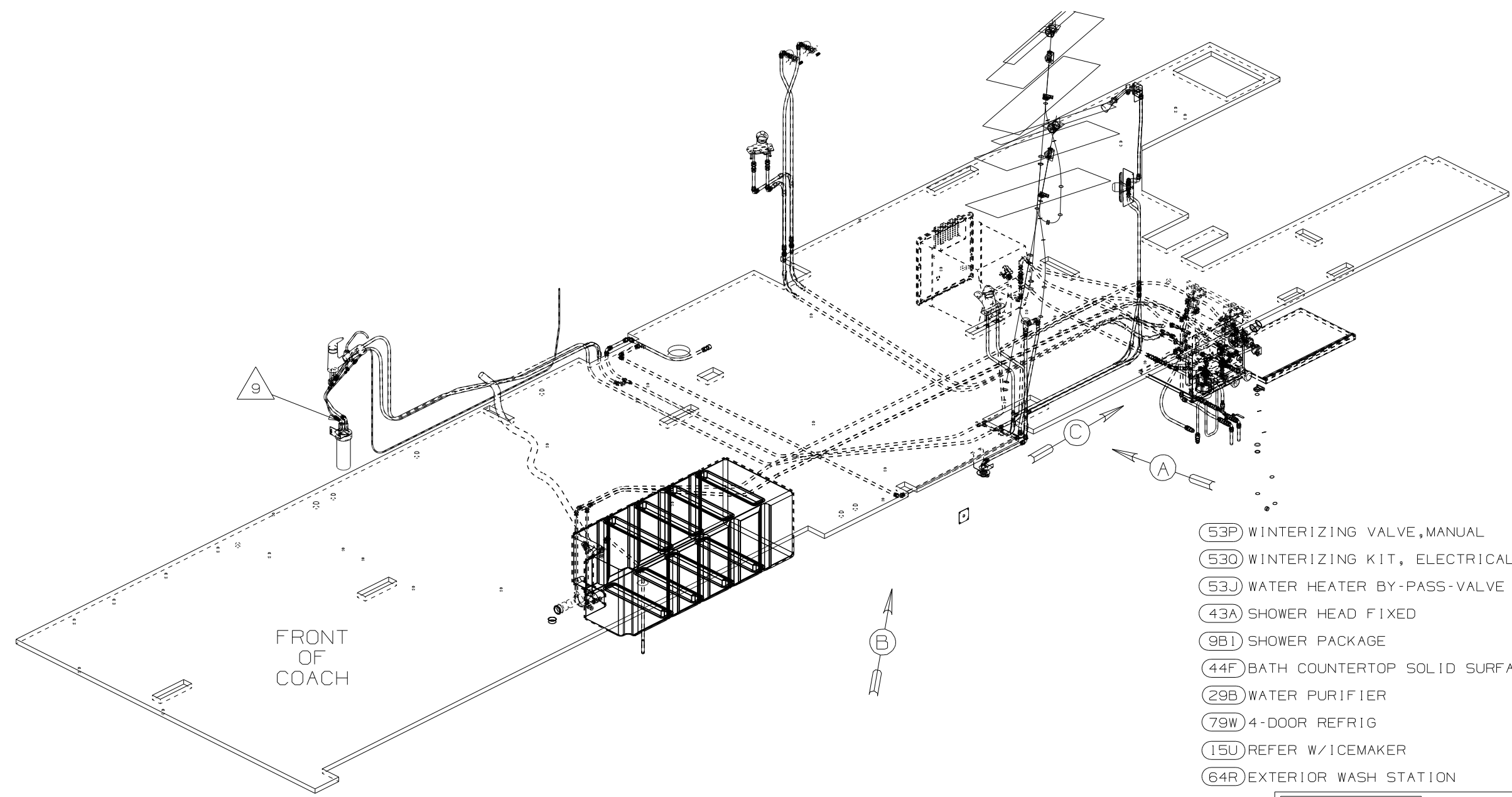
VIEW A

VIEW B

FIRST USED	02 P390D
TITLE	DO NOT SCALE DRAWING
SHEET 2	PART NO 139795



FIRST USED	02 P390D
TITLE	DO NOT SCALE DRAWING
	DRAINAGE SYSTEM INSTL
SHEET 3	PART NO 139795

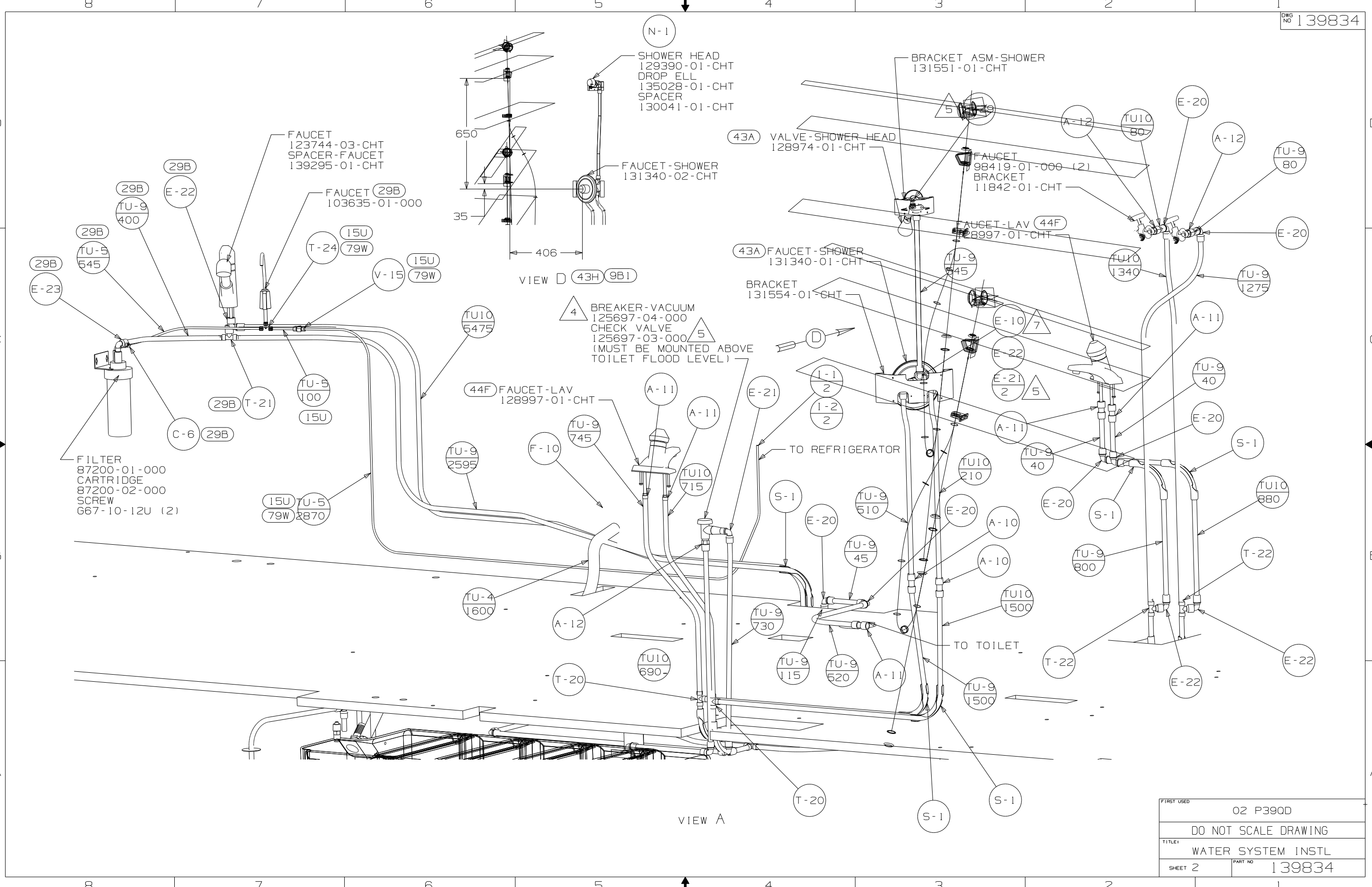


- (53P) WINTERIZING VALVE, MANUAL
- (53O) WINTERIZING KIT, ELECTRICAL
- (53J) WATER HEATER BY-PASS-VALVE
- (43A) SHOWER HEAD FIXED
- (9B1) SHOWER PACKAGE
- (44F) BATH COUNTERTOP SOLID SURFACE
- (29B) WATER PURIFIER
- (79W) 4-DOOR REFRIG
- (15U) REFER W/ICEMAKER
- (64R) EXTERIOR WASH STATION

- NOTES:
1. PLASTIC FITTINGS TO BE SEALED WITH SEALANT 84456-01-000
 2. TUBING TO BE INSTALLED WITH SUFFICIENT SLOPE TO PROVIDE DRAINAGE TO NEAREST VALVE.
 3. ALL TUBING TO BE SECURED AT 1200 INTERVALS MAXIMUM WITH CLAMP 10495-01-000 OR CLIP 9151-01-000 AND SCREW G67-10-12B.
 4. FLUSHING SYSTEM REQUIRES 125697-06-000 INSTRUCTION SHEET.
 5. ADD TEFLON TAPE 10405-02-000 TO FITTING.
 6. ADD TEFLON TAPE 10405-03-000 TO FITTING.
 7. ADD TEFLON TAPE 10405-01-000 TO FITTING.

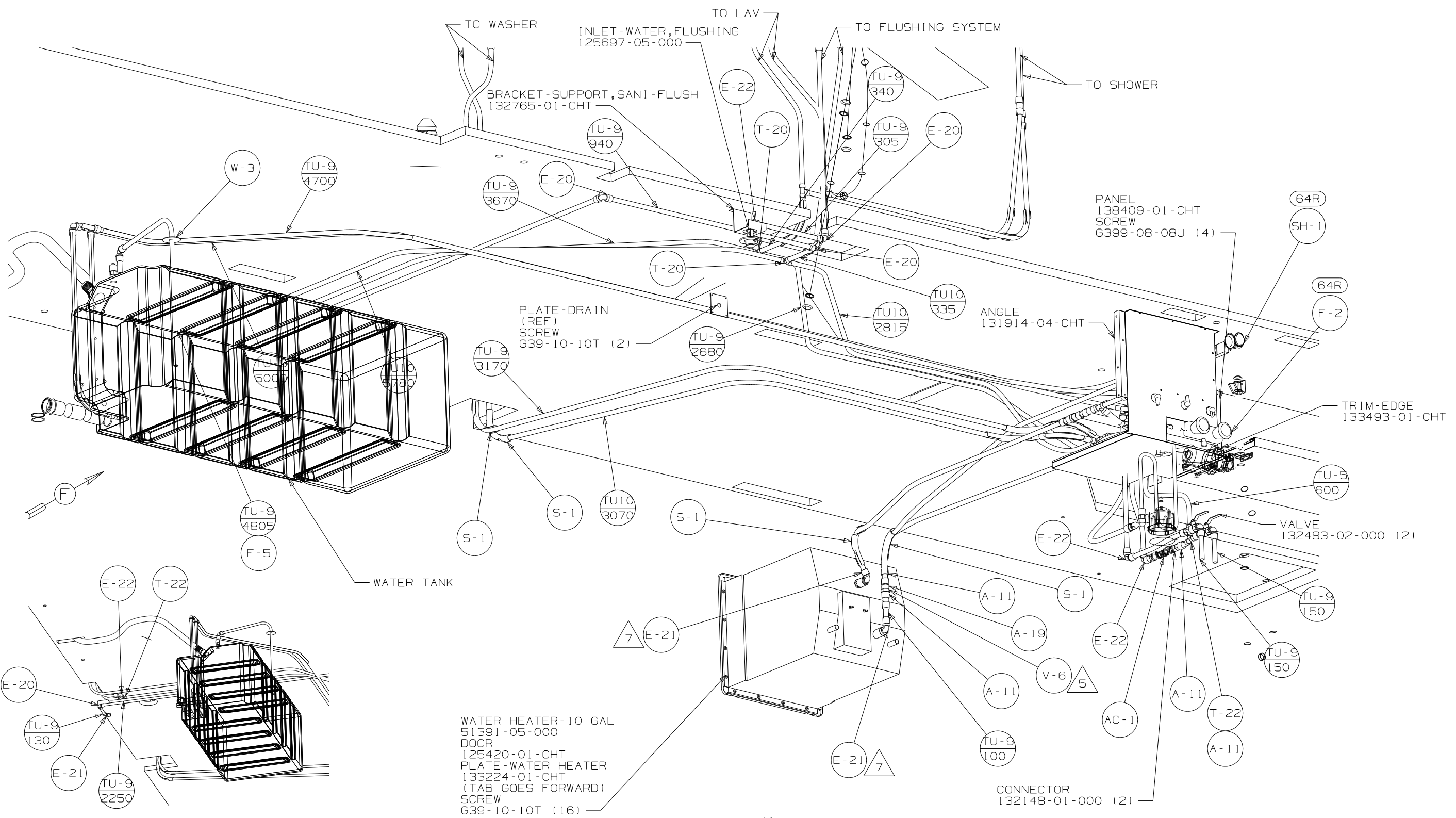
WINNEBAGO		COPYRIGHT 2002 WINNEBAGO INDUSTRIES, INC.	
DFTR	ORIG. DATE	ALL DIMENSIONS ARE IN MILLIMETERS	
CHKR		FIRST USED	
P.E.		02 P390D	
M.E.		UNSPECIFIED TOLERANCES ARE:	
DSNR		MATERIAL:	
		WHOLE DIM (X) :	7
		ONE-PLACE (X.X) :	
		TWO-PLACE (X.XX) :	
		ANGLE :	
THIRD ANGLE PROJECTION		DO NOT SCALE DRAWING	
TITLE: WATER SYSTEM INSTL			
SHEET 1 OF 5		PART NO 139834	

(X-X)
FOR WATER
CALLOUTS
SEE DWG NO.
116230-01-000



VIEW A

FIRST USED	02 P390D
TITLE	DO NOT SCALE DRAWING
SHEET 2	PART NO 139834

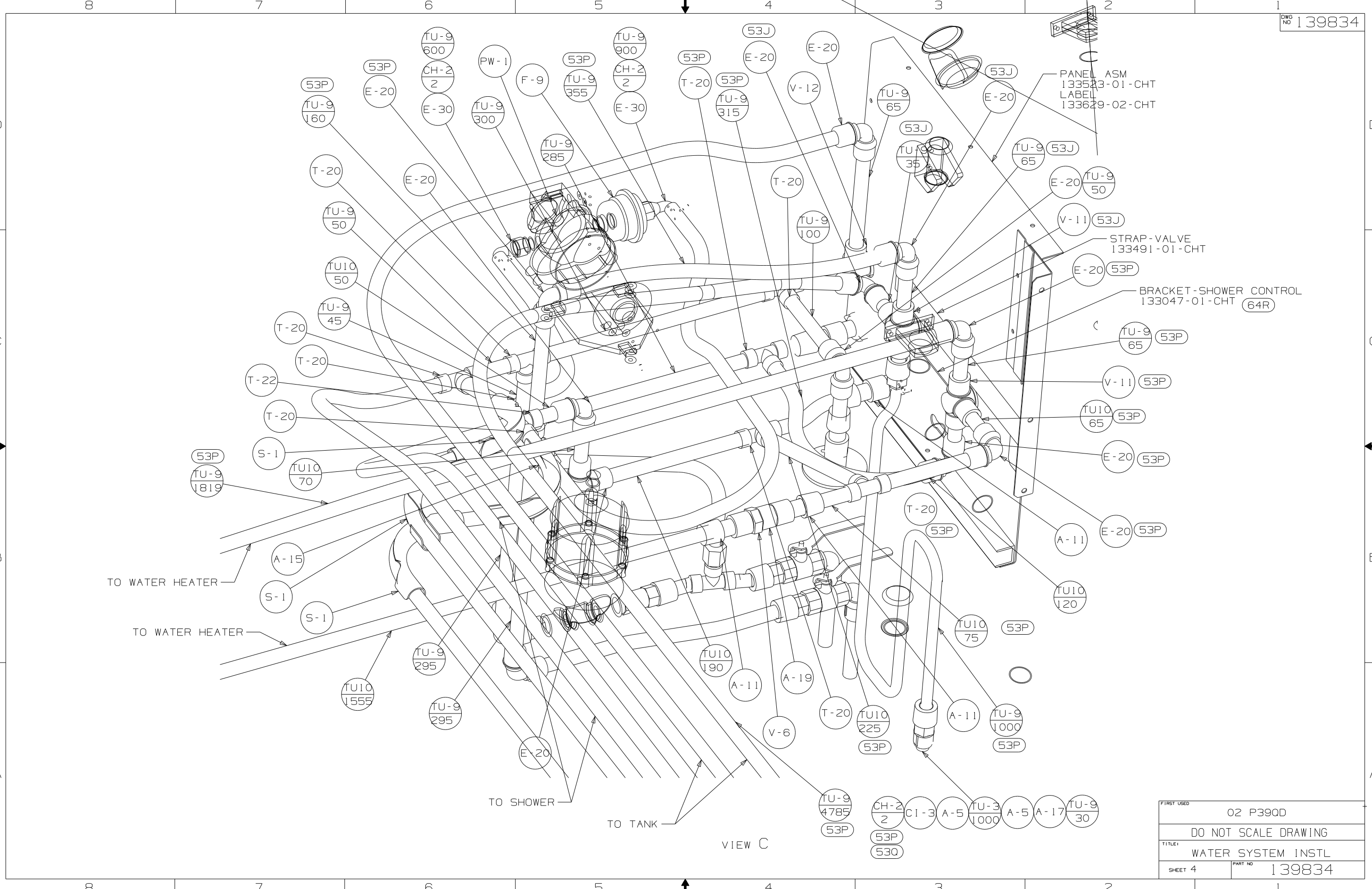


WATER HEATER-10 GAL
51391-05-000
DOOR
125420-01-CHT
PLATE-WATER HEATER
133224-01-CHT
(TAB GOES FORWARD)
SCREW
G39-10-10T (16)

DETAIL F

VIEW B

FIRST USED	02 P390D
TITLE	DO NOT SCALE DRAWING
TITLE	WATER SYSTEM INSTL
SHEET 3	PART NO 139834



PANEL ASM
133523-01-CHT
LABEL
133629-02-CHT

STRAP-VALVE
133491-01-CHT

BRACKET-SHOWER CONTROL
133047-01-CHT (64R)

FIRST USED	02 P390D
TITLE	DO NOT SCALE DRAWING
SHEET 4	PART NO 139834

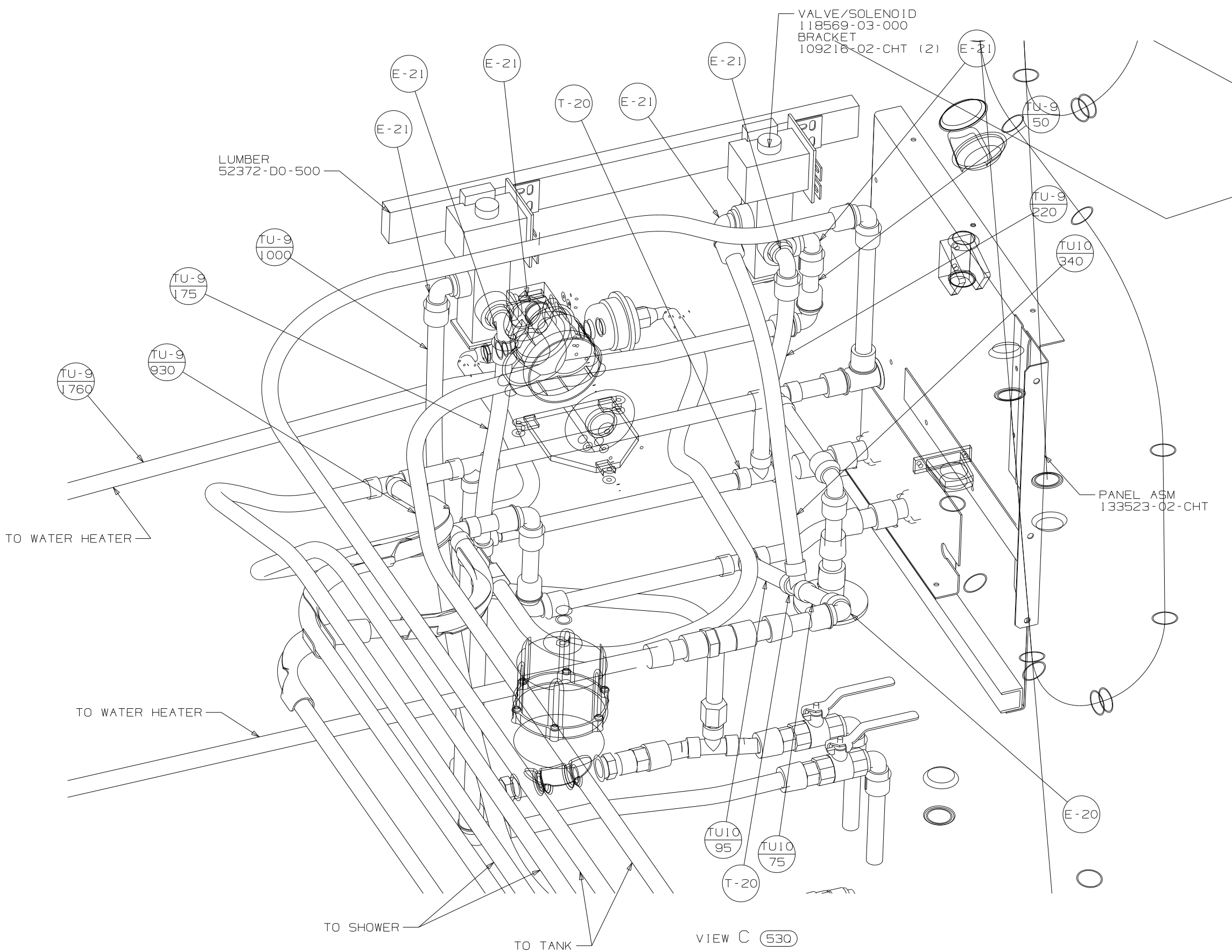
VIEW C

TO WATER HEATER

TO WATER HEATER

TO SHOWER

TO TANK



VALVE/SOLENOID
118569-03-000
BRACKET
109218-02-CHT (2)

LUMBER
52372-D0-500

PANEL ASM
133523-02-CHT

VIEW C (530)

FIRST USED	02 P390D
DO NOT SCALE DRAWING	
TITLE:	WATER SYSTEM INSTL
SHEET 5	PART NO 139834