



**DANGER**

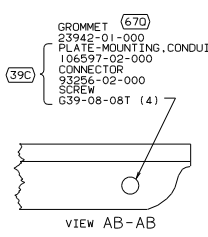
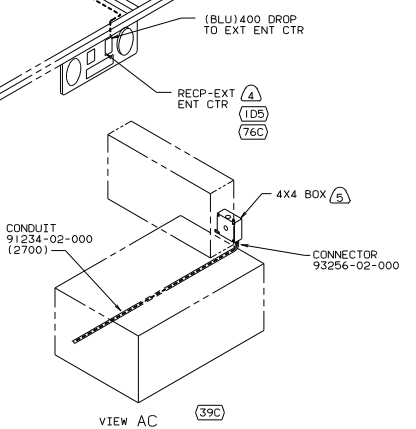
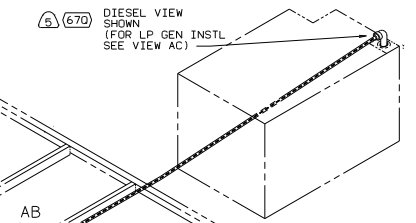
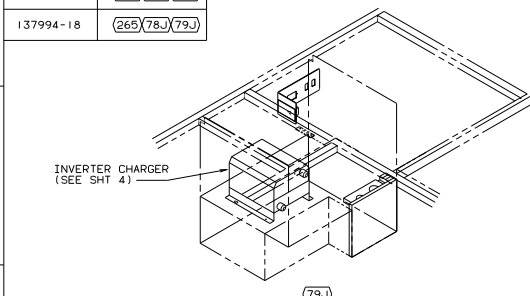
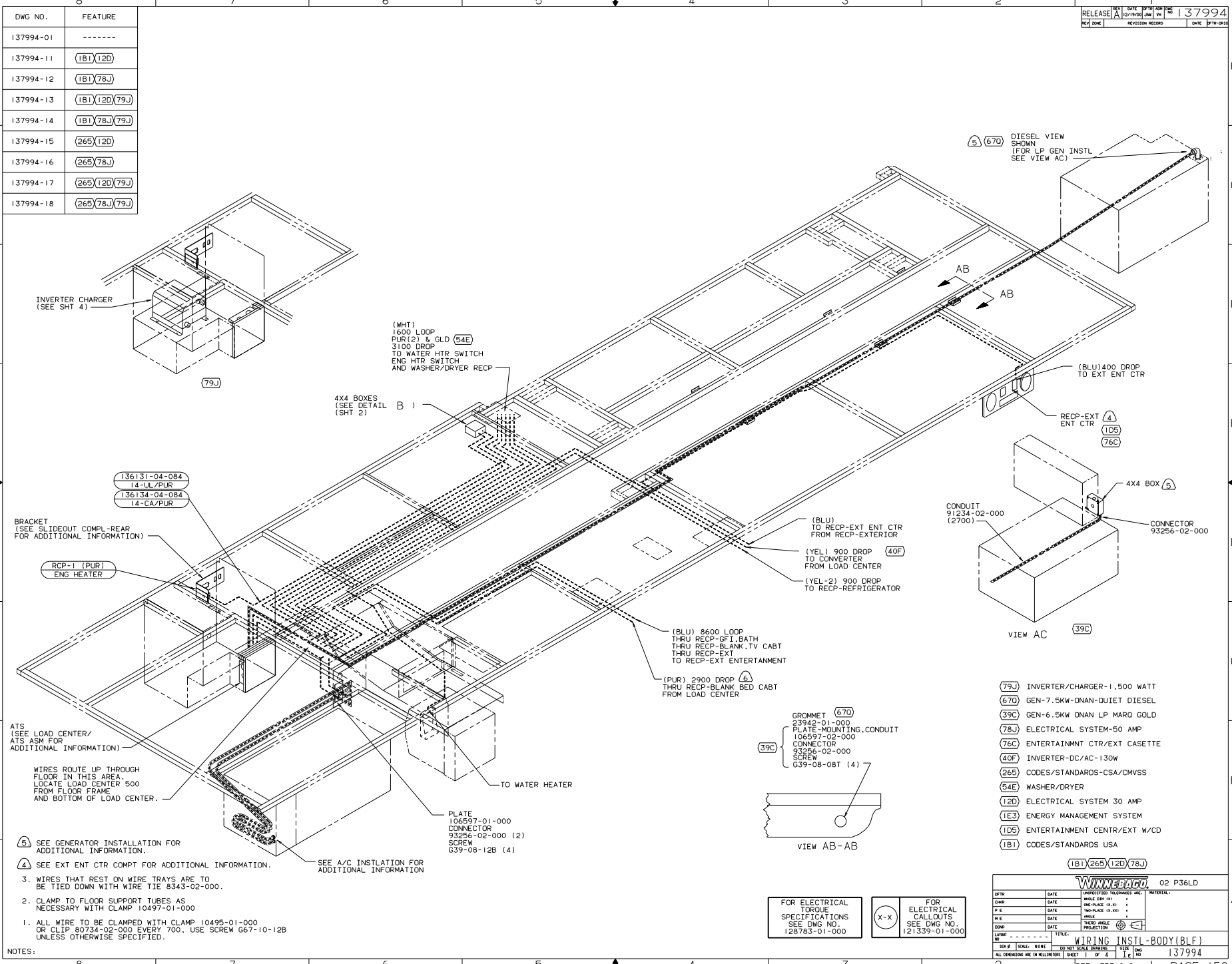
**Danger of electrical shock, burns or death.** Always remove all power sources before attempting any repair, service or diagnostic work. Power can be present from shore power, generator, inverter or battery. All power sources must be disabled and secured before performing any service.



**CAUTION**

If you lack the skills, tools or equipment to perform diagnostic or repair work leave such work to an authorized Winnebago Industries dealer or other qualified shop.

DWG NO.	FEATURE
137994-01	-----
137994-11	(181)(120)
137994-12	(181)(78J)
137994-13	(181)(120)(79J)
137994-14	(181)(78J)(79J)
137994-15	(265)(120)
137994-16	(265)(78J)
137994-17	(265)(120)(79J)
137994-18	(265)(78J)(79J)



- (79J) INVERTER/CHARGER-1,500 WATT
- (670) GEN-7.5KW-ONAN-QUIET DIESEL
- (39C) GEN-6.5KW ONAN LP MARO GOLD
- (78J) ELECTRICAL SYSTEM-50 AMP
- (76C) ENTERTAINMENT CTR/EXT CASSETTE
- (40F) INVERTER-DC/AC-130W
- (265) CODES/STANDARDS-CSA/CMVSS
- (54E) WASHER/DRYER
- (120) ELECTRICAL SYSTEM 30 AMP
- (1E3) ENERGY MANAGEMENT SYSTEM
- (105) ENTERTAINMENT CTR/EXT W/CD
- (181) CODES/STANDARDS/USA

- ATS (SEE LOAD CENTER/ATS ASM FOR ADDITIONAL INFORMATION)
- WIRES ROUTE UP THROUGH FLOOR IN THIS AREA. LOCATE LOAD CENTER 500 FROM FLOOR FRAME AND BOTTOM OF LOAD CENTER.
- 5 SEE GENERATOR INSTALLATION FOR ADDITIONAL INFORMATION.
- 4 SEE EXT ENT CTR COMPT FOR ADDITIONAL INFORMATION.
3. WIRES THAT REST ON WIRE TRAYS ARE TO BE TIED DOWN WITH WIRE TIE 8343-02-000.
2. CLAMP TO FLOOR SUPPORT TUBES AS NECESSARY WITH CLAMP 10495-01-000
1. ALL WIRE TO BE CLAMPED WITH CLAMP 10495-01-000 OR CLIP 80734-02-000 EVERY 700. USE SCREW G67-10-12B UNLESS OTHERWISE SPECIFIED.

FOR ELECTRICAL TORQUE SPECIFICATIONS SEE DWG NO. 128783-01-000

FOR ELECTRICAL CALLOUTS SEE DWG NO. 121339-01-000

WINNERCO 02 P36LD

DATE	UNDESIGNED TOLERANCES ARE:	MATERIAL
DATE	FINISH (1X, 1X)	
DATE	FINISH (1X, 1X)	
DATE	FINISH (1X, 1X)	
DATE	FINISH (1X, 1X)	

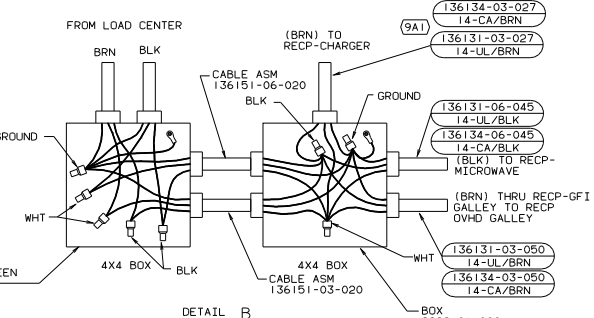
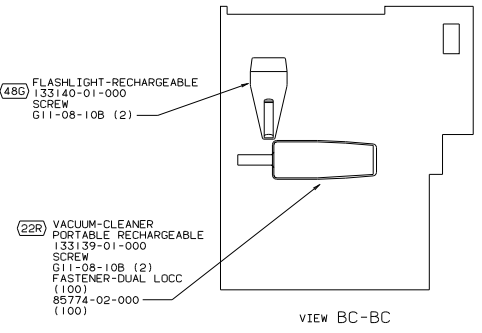
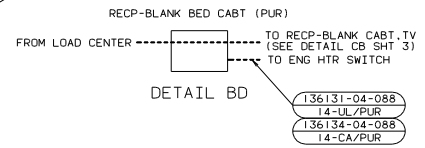
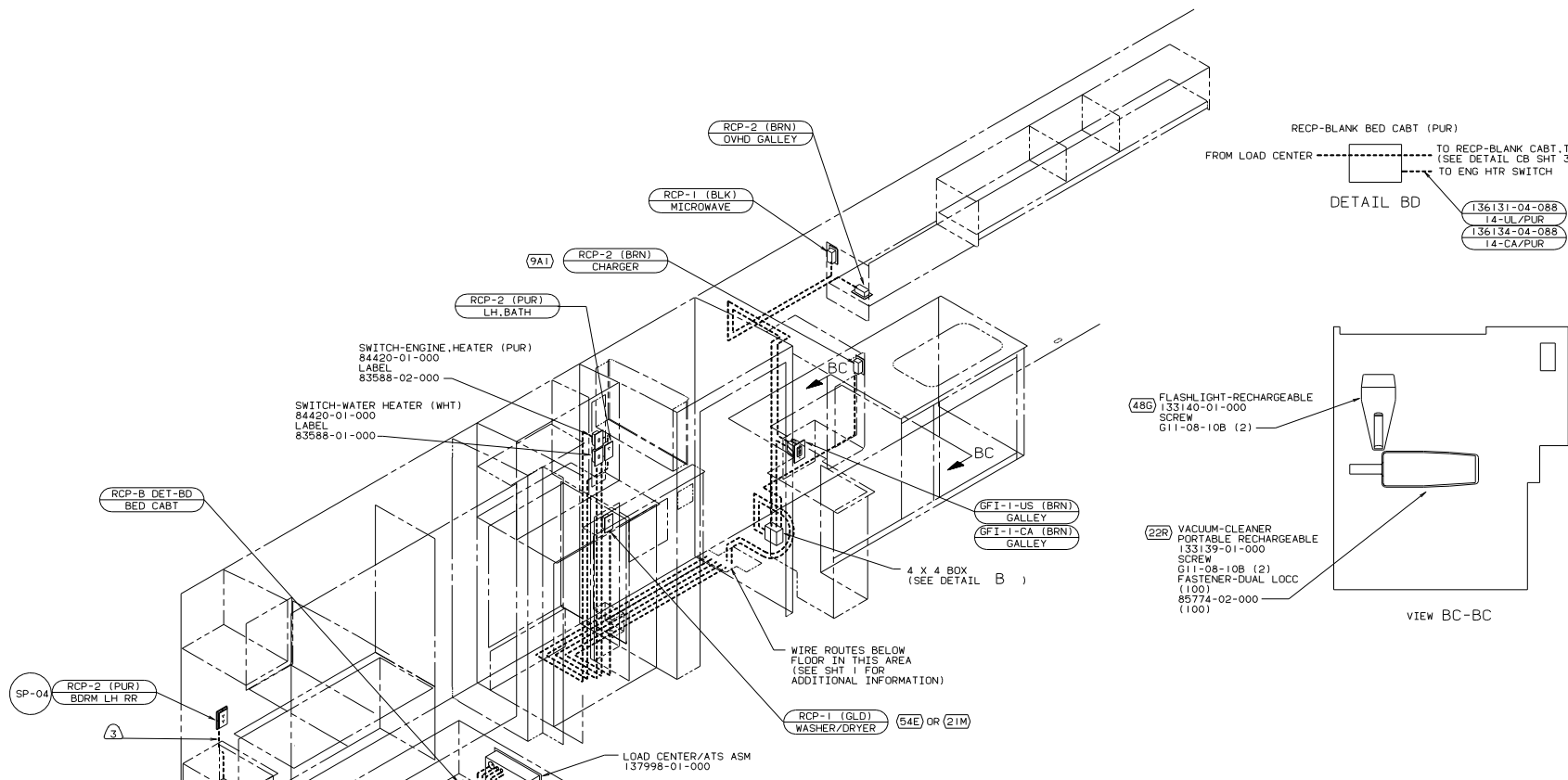
WIRING INSTL-BODY(BLF)

SCALE: NONE DO NOT SCALE DIMENSIONS

SHEET 1 OF 4

DATE 1/11/00

REF: 135719 G PAGE 158



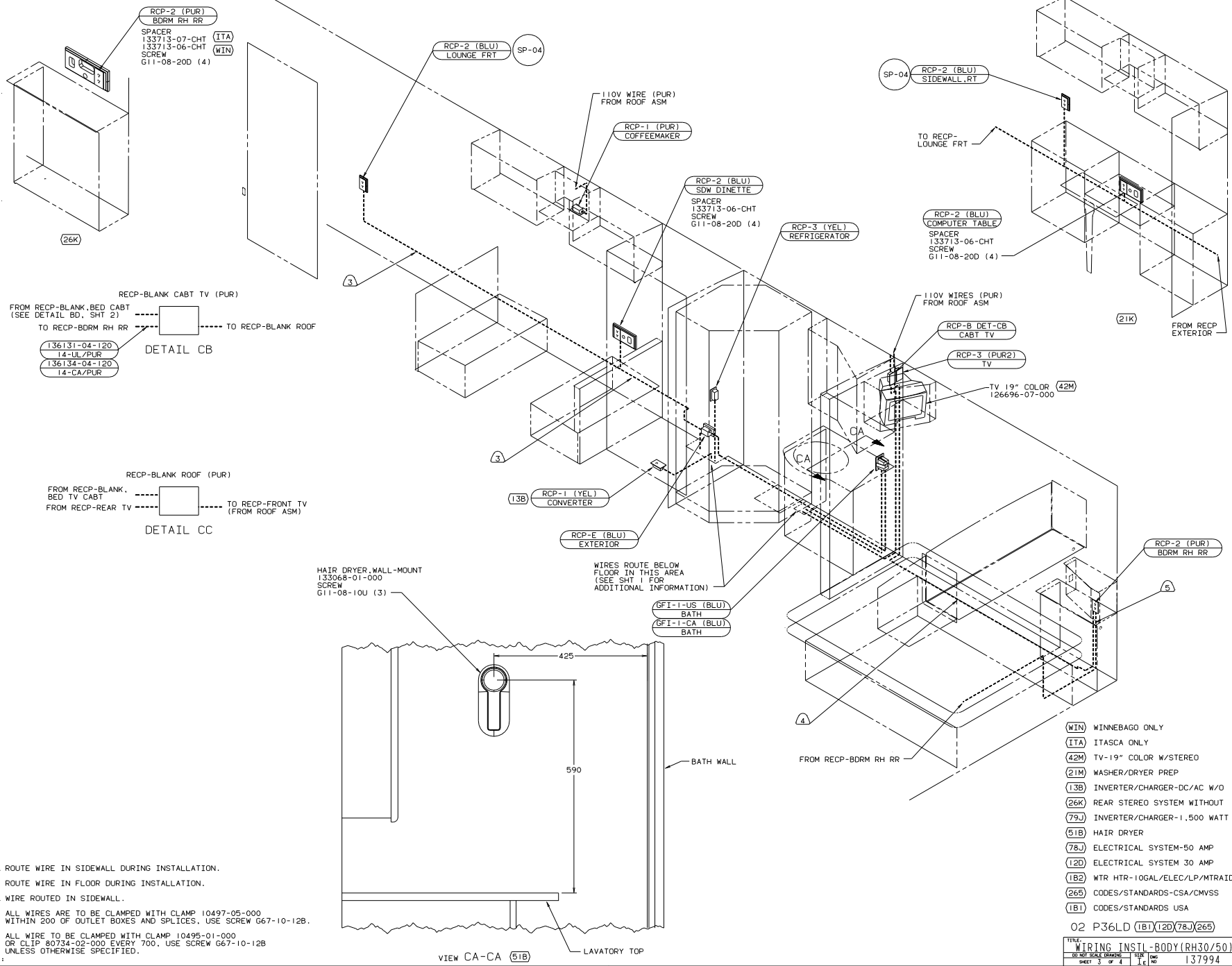
ALL WIRES ROUTE BELOW FLOOR IN THIS AREA (SEE SHT 1 FOR ADDITIONAL INFO)

- BOX 8289-01-000
- SCREW G11-08-12B (2)
- COVER 8294-01-000
- CONNECTOR 8356-01-000(4)
- WIRE ASM-GROUND 133678-01-000(2)
- CONNECTOR 8313-01-000 (4)
- 8314-01-000
- SCREW-GROUND, GREEN 103291-01-000

- 136134-03-027 14-CA/BRN
- 136131-03-027 14-UL/BRN
- 136131-06-045 14-UL/BLK
- 136134-06-045 14-UL/BRN
- (BLK) TO RECP-MICROWAVE
- (BRN) THRU RECP-GFI GALLEY TO RECP-OVHD GALLEY
- 136131-03-050 14-UL/BRN
- 136134-03-050 14-CA/BRN
- BOX 8289-01-000
- COVER 8294-01-000
- SCREW G11-08-12B (2)
- CONNECTOR 8356-01-000(4)
- WIRE ASM-GROUND 133678-01-000(2)
- CONNECTOR 8314-01-000 (3)
- SCREW-GROUND, GREEN 103291-01-000

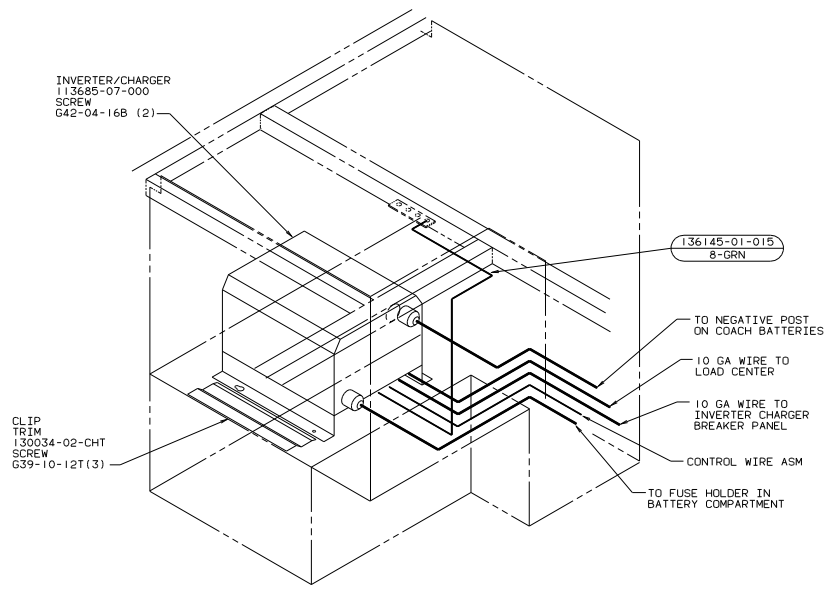
- (21M) WASHER/DRYER PREP
- (79J) INVERTER/CHARGER-1,500 WATT
- (54E) WASHER/DRYER
- (9A1) ACCESSORY PACKAGE
- (48G) FLASHLIGHT
- (22R) VACUUM CLEANER-PORTABLE
- (78J) ELECTRICAL SYSTEM-50 AMP
- (12D) ELECTRICAL SYSTEM 30 AMP
- (265) CODES/STANDARDS-CSA/CMVSS
- (1B1) CODES/STANDARDS USA

- 3 WIRE IN SIDEWALL.
- 2. ALL WIRES ARE TO BE CLAMPED WITH CLAMP 10497-05-000 WITHIN 200 OF OUTLET BOXES AND SPLICES. USE SCREW G67-10-12B.
- 1. ALL WIRE TO BE CLAMPED WITH CLAMP 10495-01-000 OR CLIP 80734-02-000 EVERY 700. USE SCREW G67-10-12B UNLESS OTHERWISE SPECIFIED.



- NOTES:
- ALL WIRES ARE TO BE CLAMPED WITH CLAMP 10495-01-000 OR CLIP 80734-02-000 EVERY 700. USE SCREW G67-10-12B UNLESS OTHERWISE SPECIFIED.
  - ALL WIRES ARE TO BE CLAMPED WITH CLAMP 10497-05-000 WITHIN 200 OF OUTLET BOXES AND SPLICES. USE SCREW G67-10-12B.
  - WIRE ROUTED IN SIDEWALL.
  - ROUTE WIRE IN FLOOR DURING INSTALLATION.
  - ROUTE WIRE IN SIDEWALL DURING INSTALLATION.

- (WIN) WINNEBAGO ONLY  
 (ITA) ITASCA ONLY  
 (42M) TV-19" COLOR W/STEREO  
 (21M) WASHER/DRYER PREP  
 (13B) INVERTER/CHARGER-DC/AC W/O  
 (26K) REAR STEREO SYSTEM WITHOUT  
 (79J) INVERTER/CHARGER-1.500 WATT  
 (51B) HAIR DRYER  
 (78J) ELECTRICAL SYSTEM-50 AMP  
 (12D) ELECTRICAL SYSTEM 30 AMP  
 (182) WTR HTR-10GAL/ELEC/LP/MTR/ID  
 (265) CODES/STANDARDS-CSA/CMVSS  
 (181) CODES/STANDARDS USA
- 02 P36LD (181)(12D)(78J)(265)



(79.J)

1. ALL 110V STRANDED WIRE W/O TERMINALS TO BE STRIPPED 10MM AND SOLDER DIPPED.

NOTES:

(79.J) INVERTER/CHARGER-1.500 WATT  
(1B1) CODES/STANDARDS USA

02 P36LD (1B1)(265)(670)

TITLE: WIRING INSTL-BODY(AIS)	
DO NOT SCALE DRAWING	SIZE: 1/8"
SHEET 4 OF 4	IF NO 137994