



**DANGER**

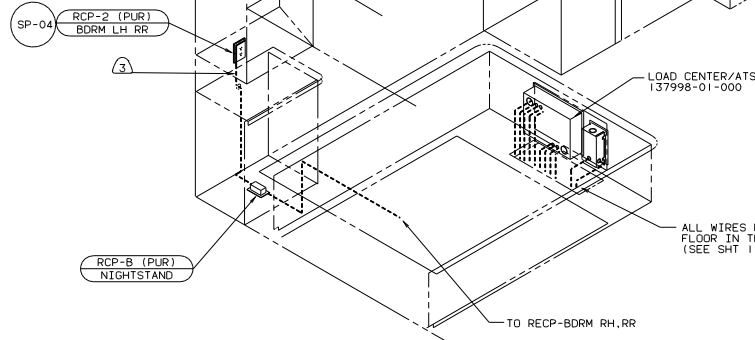
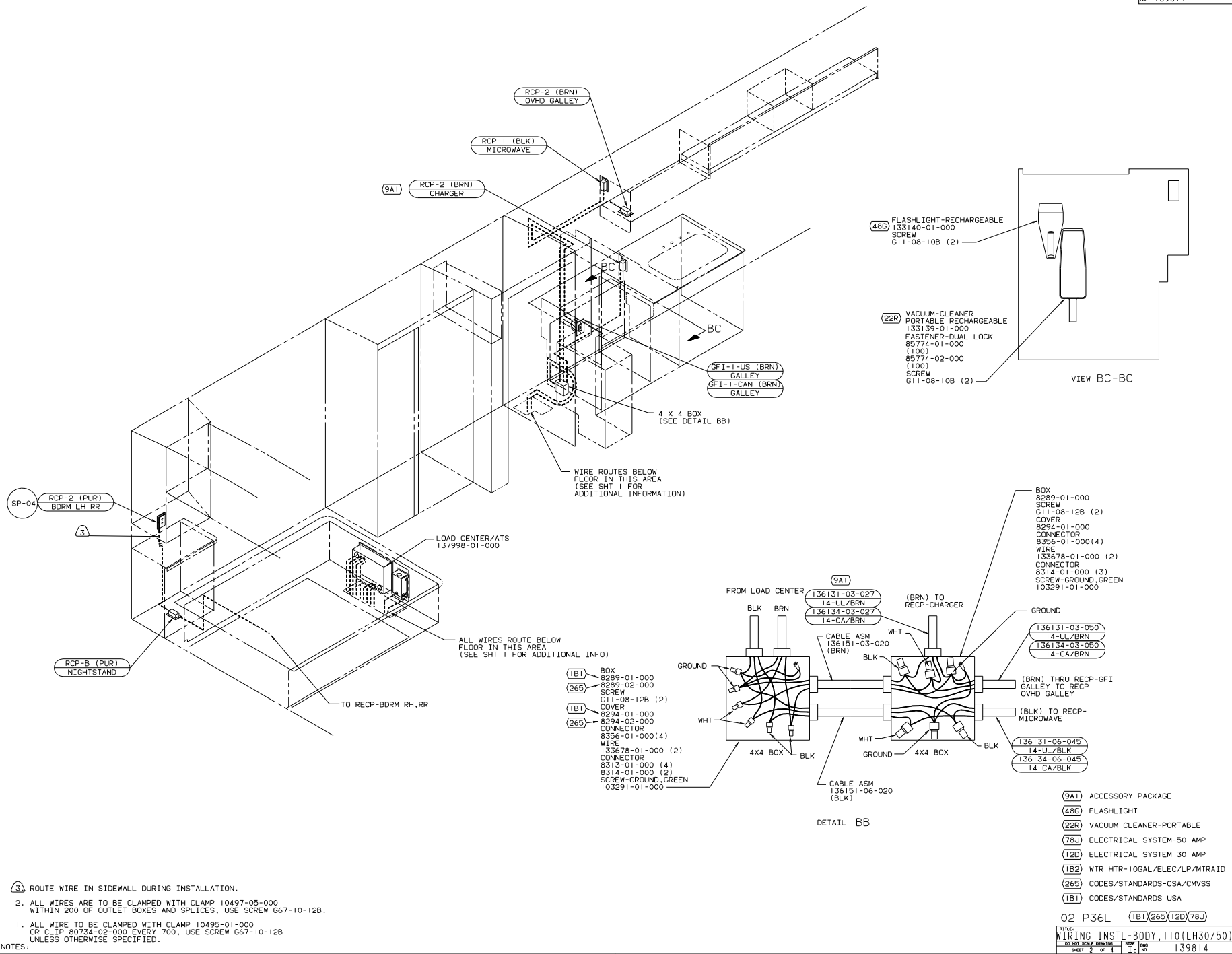
**Danger of electrical shock, burns or death.** Always remove all power sources before attempting any repair, service or diagnostic work. Power can be present from shore power, generator, inverter or battery. All power sources must be disabled and secured before performing any service.



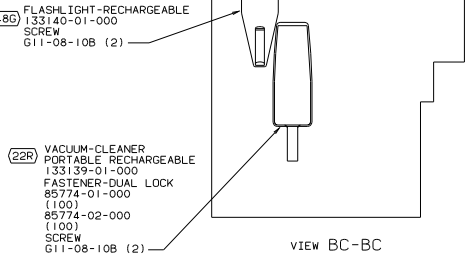
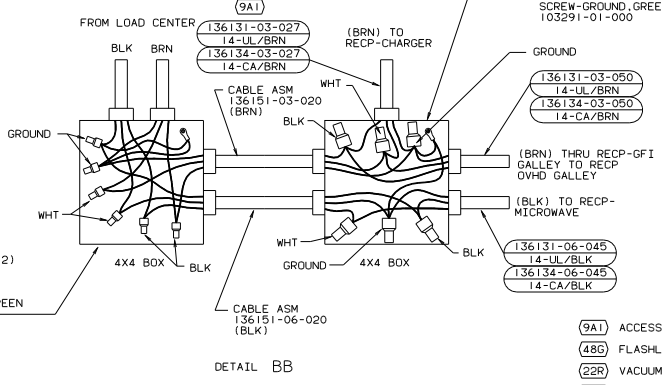
**CAUTION**

If you lack the skills, tools or equipment to perform diagnostic or repair work leave such work to an authorized Winnebago Industries dealer or other qualified shop.



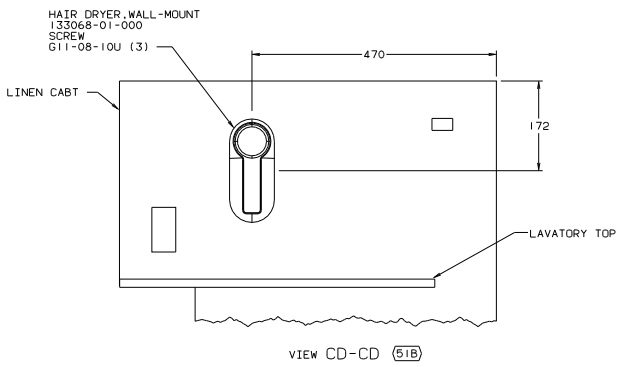
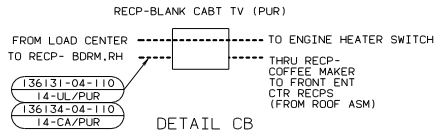
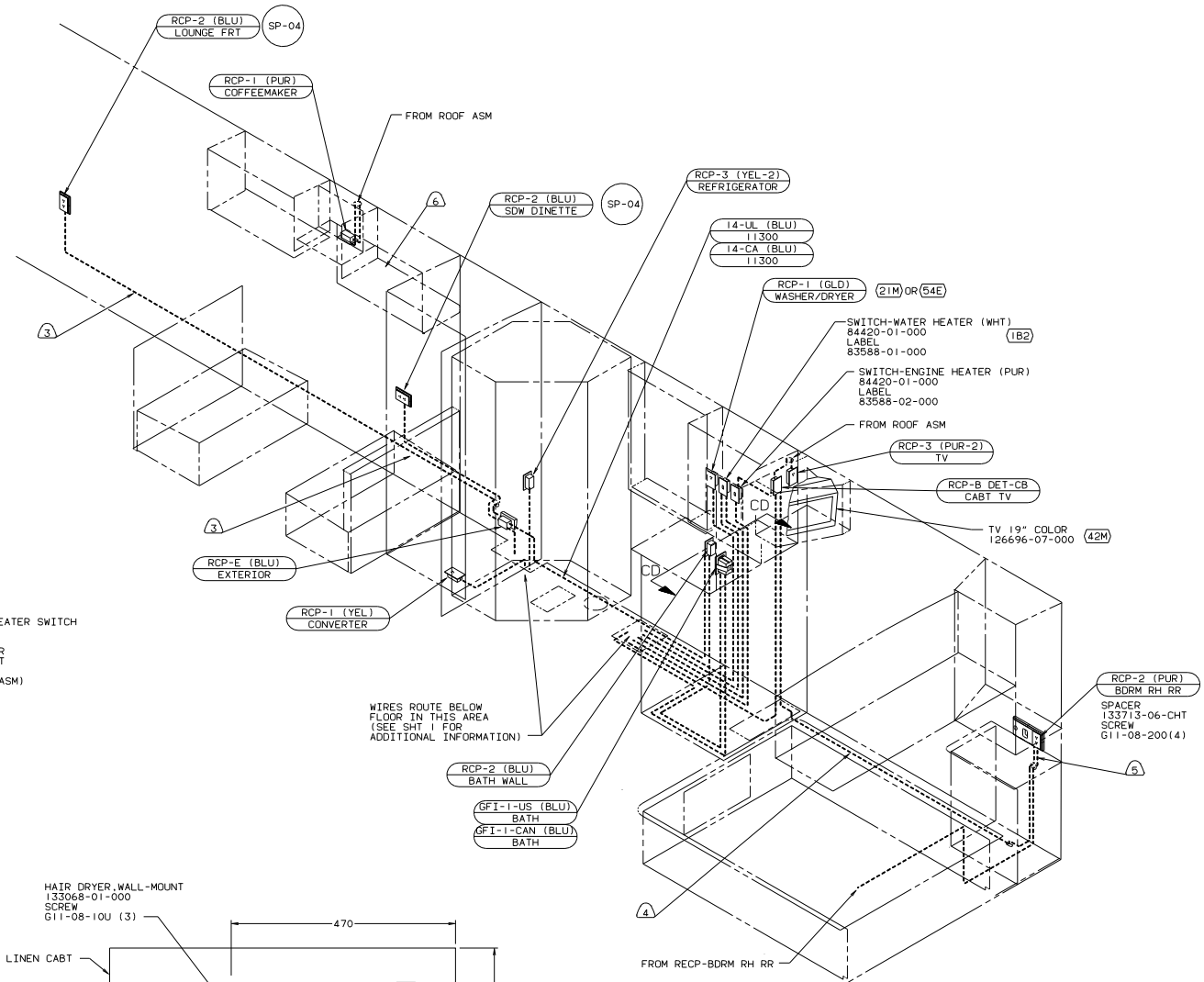


- (1B1) BOX 8289-01-000
- (265) SCREW 8289-02-000
- (1B1) COVER 8294-01-000
- (265) CONNECTOR 8294-02-000
- CONNECTOR 8356-01-000(4)
- WIRE 135678-01-000 (2)
- CONNECTOR 8313-01-000 (4)
- 8314-01-000 (2)
- SCREW-GROUND, GREEN 103291-01-000



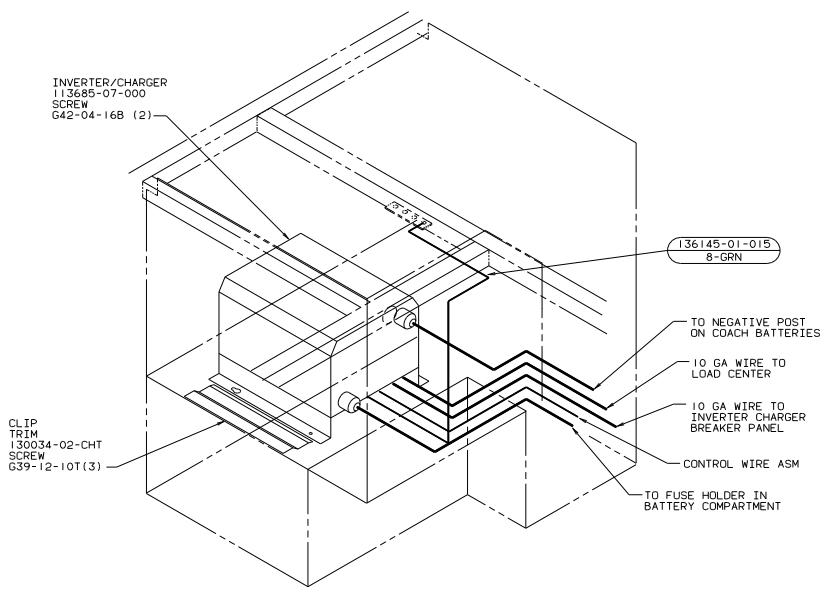
- (9A1) ACCESSORY PACKAGE
- (48B) FLASHLIGHT
- (22R) VACUUM CLEANER-PORTABLE
- (78J) ELECTRICAL SYSTEM-50 AMP
- (12D) ELECTRICAL SYSTEM 30 AMP
- (1B2) WTR HTR-10GAL/ELEC/LP/MTR/RAID
- (265) CODES/STANDARDS-CSA/CMVSS
- (1B1) CODES/STANDARDS USA

- 3) ROUTE WIRE IN SIDEWALL DURING INSTALLATION.
2. ALL WIRES ARE TO BE CLAMPED WITH CLAMP 10497-05-000 WITHIN 200 OF OUTLET BOXES AND SPLICES. USE SCREW G67-10-12B.
1. ALL WIRE TO BE CLAMPED WITH CLAMP 10495-01-000 OR CLIP 80734-02-000 EVERY 700. USE SCREW G67-10-12B UNLESS OTHERWISE SPECIFIED.
- NOTES:



- (42M) TV-19" COLOR W/STEREO
- (54E) WASHER/DRYER
- (51B) HAIR DRYER
- (78J) ELECTRICAL SYSTEM-50 AMP
- (21M) WASHER/DRYER PREP
- (12D) ELECTRICAL SYSTEM 30 AMP
- (1B2) WTR HTR-10GAL/ELEC/LP/MTRAD
- (265) CODES/STANDARDS-CSA/CMVSS
- (1B1) CODES/STANDARDS USA

- (6) WIRE ROUTED IN ROOF.
  - (5) ROUTE WIRE IN SIDEWALL DURING INSTALLATION.
  - (4) ROUTE WIRE IN FLOOR DURING INSTALLATION.
  - (3) WIRE ROUTED IN SIDEWALL.
2. ALL WIRES ARE TO BE CLAMPED WITH CLAMP 10495-01-000 WITHIN 200 OF OUTLET BOXES AND SPLICES. USE SCREW G67-10-12B.
1. ALL WIRE TO BE CLAMPED WITH CLAMP 10495-01-000 OR CLIP 80734-02-000 EVERY 700. USE SCREW G67-10-12B UNLESS OTHERWISE SPECIFIED.



(79J)

- (79J) INVERTER/CHARGER-1.500 WATT
- (78J) ELECTRICAL SYSTEM-50 AMP
- (12D) ELECTRICAL SYSTEM 30 AMP
- (265) CODES/STANDARDS-CSA/CMVSS
- (1B1) CODES/STANDARDS USA

02 P36L (1B1)(265)(12D)(78J)(79J)

TITLE		139814	
WIRING INSTL-BODY.L110V(ATS)			
DO NOT SCALE DRAWING	DATE	139814	
SHEET 4 OF 4	IF NO		