



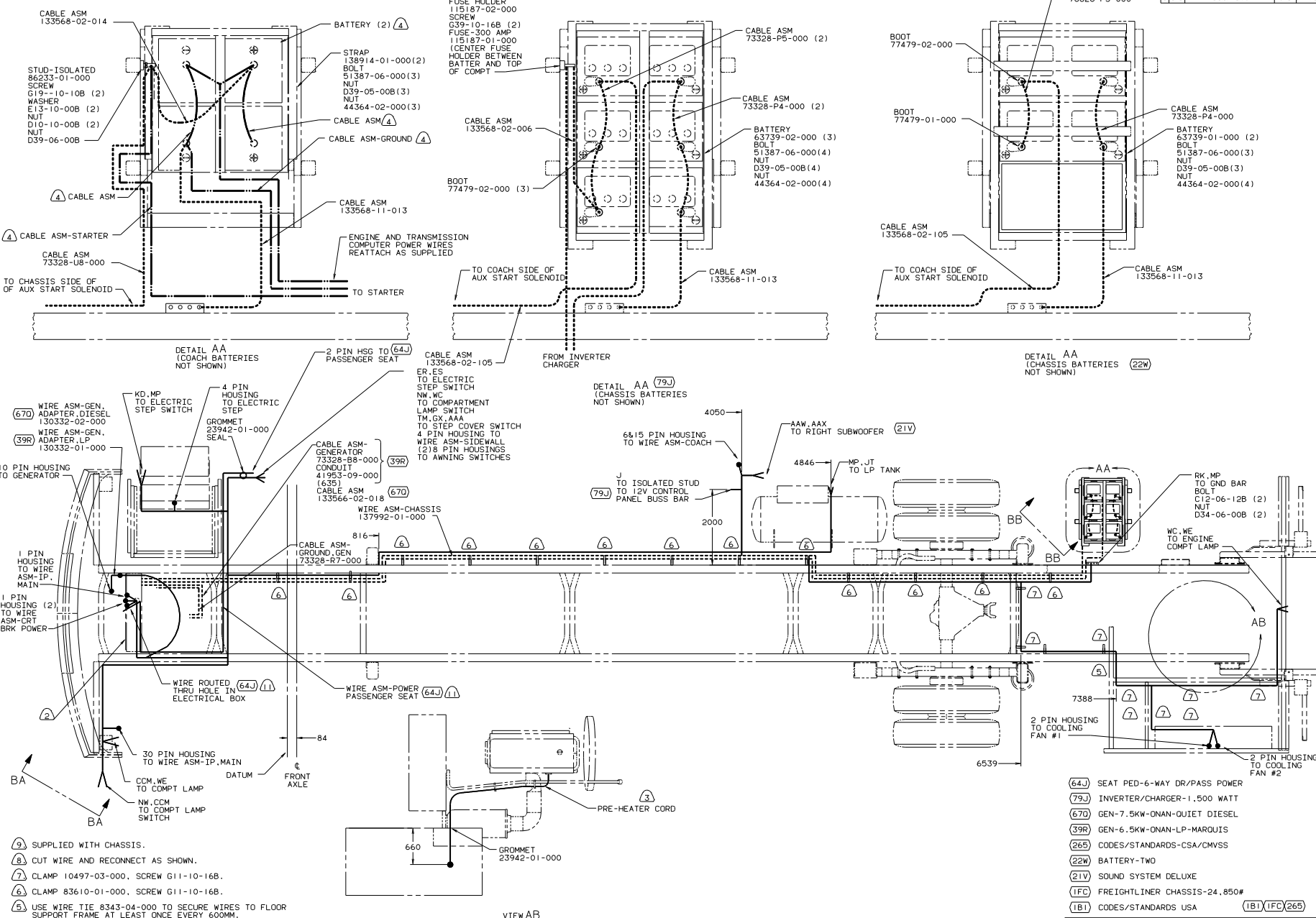
DANGER

Danger of electrical shock, burns or death. Always remove all power sources before attempting any repair, service or diagnostic work. Power can be present from shore power, generator, inverter or battery. All power sources must be disabled and secured before performing any service.



CAUTION

If you lack the skills, tools or equipment to perform diagnostic or repair work leave such work to an authorized Winnebago Industries dealer or other qualified shop.



- (9) SUPPLIED WITH CHASSIS.
- (8) CUT WIRE AND RECONNECT AS SHOWN.
- (7) CLAMP 10497-03-000, SCREW G11-10-16B.
- (6) CLAMP 83610-01-000, SCREW G11-10-16B.
- (5) USE WIRE TIE 8343-04-000 TO SECURE WIRES TO FLOOR SUPPORT FRAME AT LEAST ONCE EVERY 600MM.
- (4) SUPPLIED WITH CHASSIS.
- (3) SECURE CORD AWAY FROM ALL MOVING PARTS AND EXHAUST WITH TIE-WIRE 93147-01-000 AS REQUIRED.
- (2) SEE WIRING INSTL-FRONT END FOR ADDITIONAL INFORMATION.

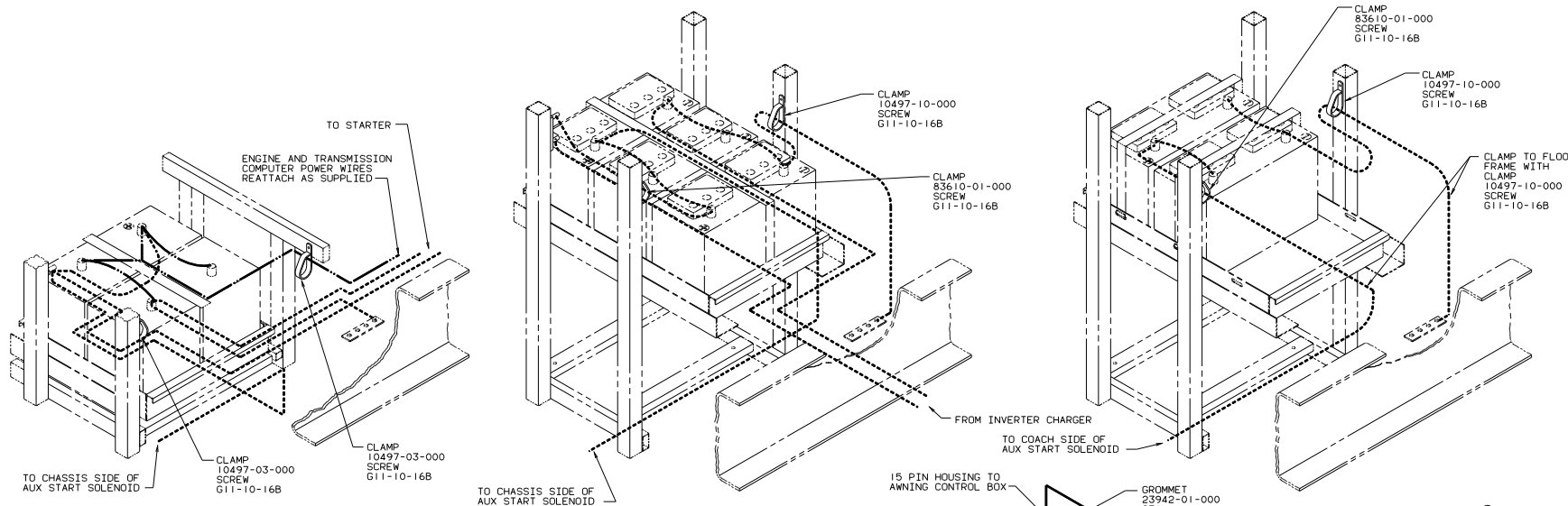
1. LEGEND: _____ WINNEBAGO, - - - - - CABLE, _____ CHASSIS SUPPLIED.

- (11) SEE WIRING INSTL-FRONT END FOR ADDITIONAL INFORMATION.
- (10) REMOVE 6 POSITION WEATHER PACK HOUSING SUPPLIED WITH CHASSIS AND SEND TO WIRE PREP.

- (64J) SEAT PED-6-WAY DR/PASS POWER
- (79J) INVERTER/CHARGER-1,500 WATT
- (670) GEN-7.5KW-QNAN-QUIET DIESEL
- (39R) GEN-6.5KW-QNAN-LP-MARQUIS
- (265) CODES/STANDARDS-CSA/CMVSS
- (22W) BATTERY-TWO
- (21V) SOUND SYSTEM DELUXE
- (1FC) FREIGHTLINER CHASSIS-24,850#
- (1B1) CODES/STANDARDS USA (1B1)(1FC)(265)

WINNEBAGO 02 P36L/LD/G/CD			
DATE	DATE	UNSPECIFIED TOLERANCE ARE:	MATERIAL:
CHR	DATE	UNSPECIFIED TOLERANCE ARE:	MATERIAL:
DATE	DATE	UNSPECIFIED TOLERANCE ARE:	MATERIAL:
DATE	DATE	UNSPECIFIED TOLERANCE ARE:	MATERIAL:
DATE	DATE	UNSPECIFIED TOLERANCE ARE:	MATERIAL:
DATE	DATE	UNSPECIFIED TOLERANCE ARE:	MATERIAL:
DATE	DATE	UNSPECIFIED TOLERANCE ARE:	MATERIAL:
DATE	DATE	UNSPECIFIED TOLERANCE ARE:	MATERIAL:
DATE	DATE	UNSPECIFIED TOLERANCE ARE:	MATERIAL:
DATE	DATE	UNSPECIFIED TOLERANCE ARE:	MATERIAL:
DATE	DATE	UNSPECIFIED TOLERANCE ARE:	MATERIAL:

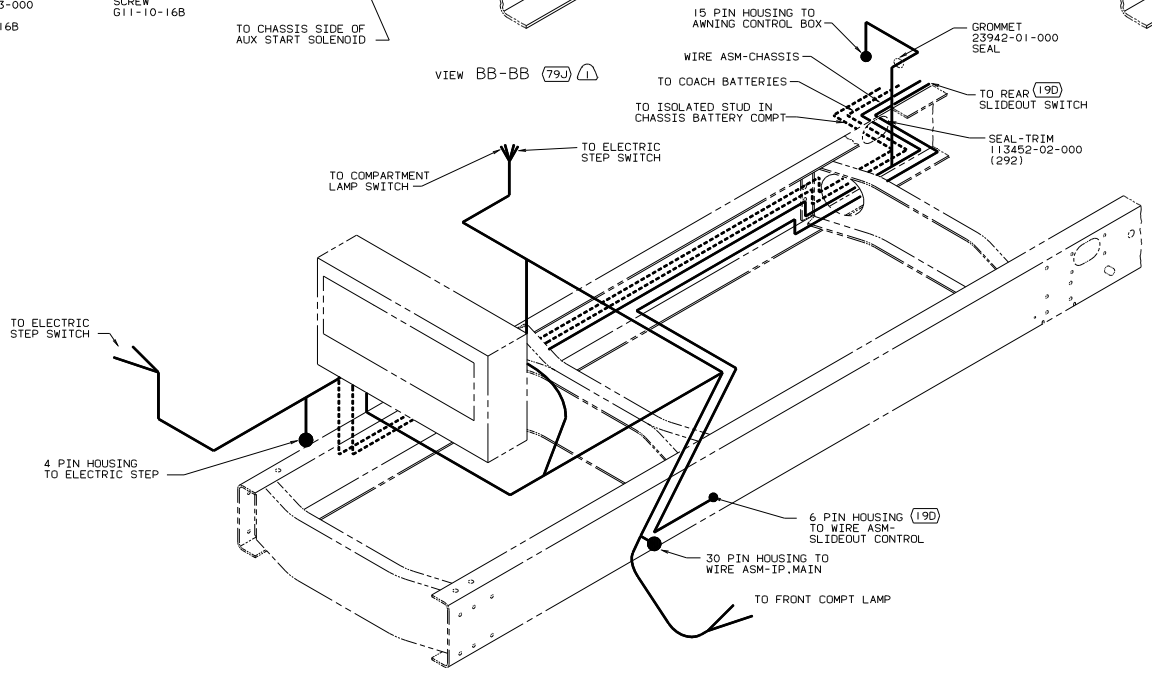
WIRING INSTL-CHASSIS
 137991



VIEW BB-BB (A)

VIEW BB-BB (79J) (A)

VIEW BB-BB (22J) (A)



DETAIL BA

- (19D) SLIDEOUT ROOM REAR LEFTHAND
- (79J) INVERTER/CHARGER-1,500 WATT BATTERY-TWO
- (22W) BATTERY-TWO

02 P36L/LD/G/CD

TITLE		WIRING INSL-CHASSIS	
DO NOT SCALE DRAWING	REV	NO	137991
SHEET 2	OF 2	IF NO	

NOTES:

(A) CLAMP WIRES TO TUBES WITH ENOUGH SLACK TO PULL BATTERY TRAY OUT 20 INCHES.