

- 11. ALL EXTERIOR OPENINGS AROUND PIPE TO BE SEALED WITH 110744.
- 10. TRIM TO FIT.
- 9. VENT PIPE MUST PROJECT 51 MIN AND 63.5 MAX ABOVE ROOF FOR PROPER FIT AND FUNCTION.
- 8. SEE DWG 61607-01-000 FOR INSTL OF GROMMETS.
- 7. SEAL ALL AROUND SHOWER WITH SILICONE.
- 6. COVER PIPE FROM ELBOW UP SCRAP 9CARPT-02 WHEN AVAILABLE OR 9CART-02+000 (150 X 178).
- 5. FASTEN TO BOTTOM OF UPPER FLOOR.

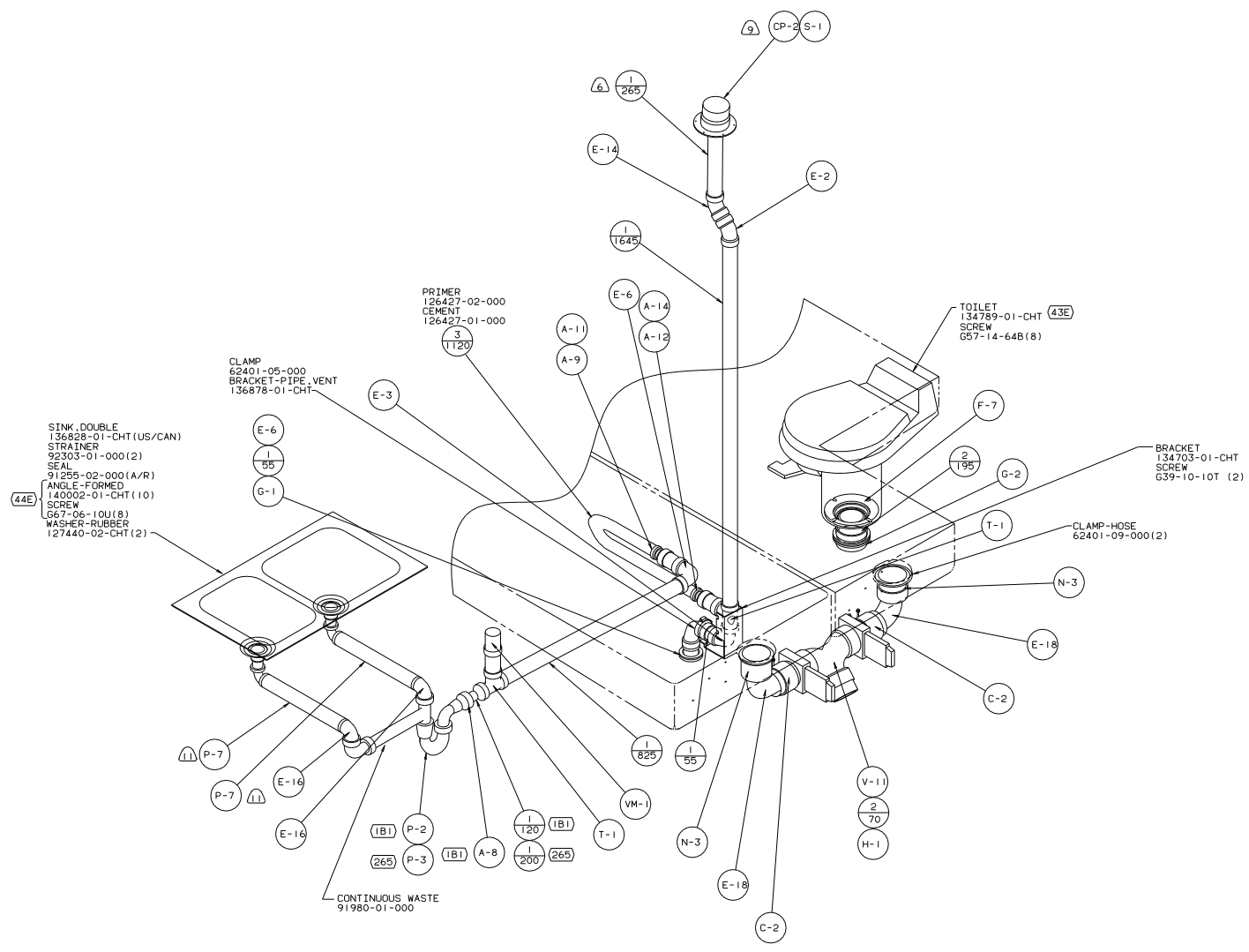
- 3. ALL PIPE AND FITTINGS TO BE ASSEMBLED WITH SOLVENT 4020-01-000.
- 2. SLOPE OF TRAP ARM MUST BE 6 PER 305.
- 1. SLOPE OF HORIZONTAL PIPING TO BE 6 PER 305 MIN.

NOTES:

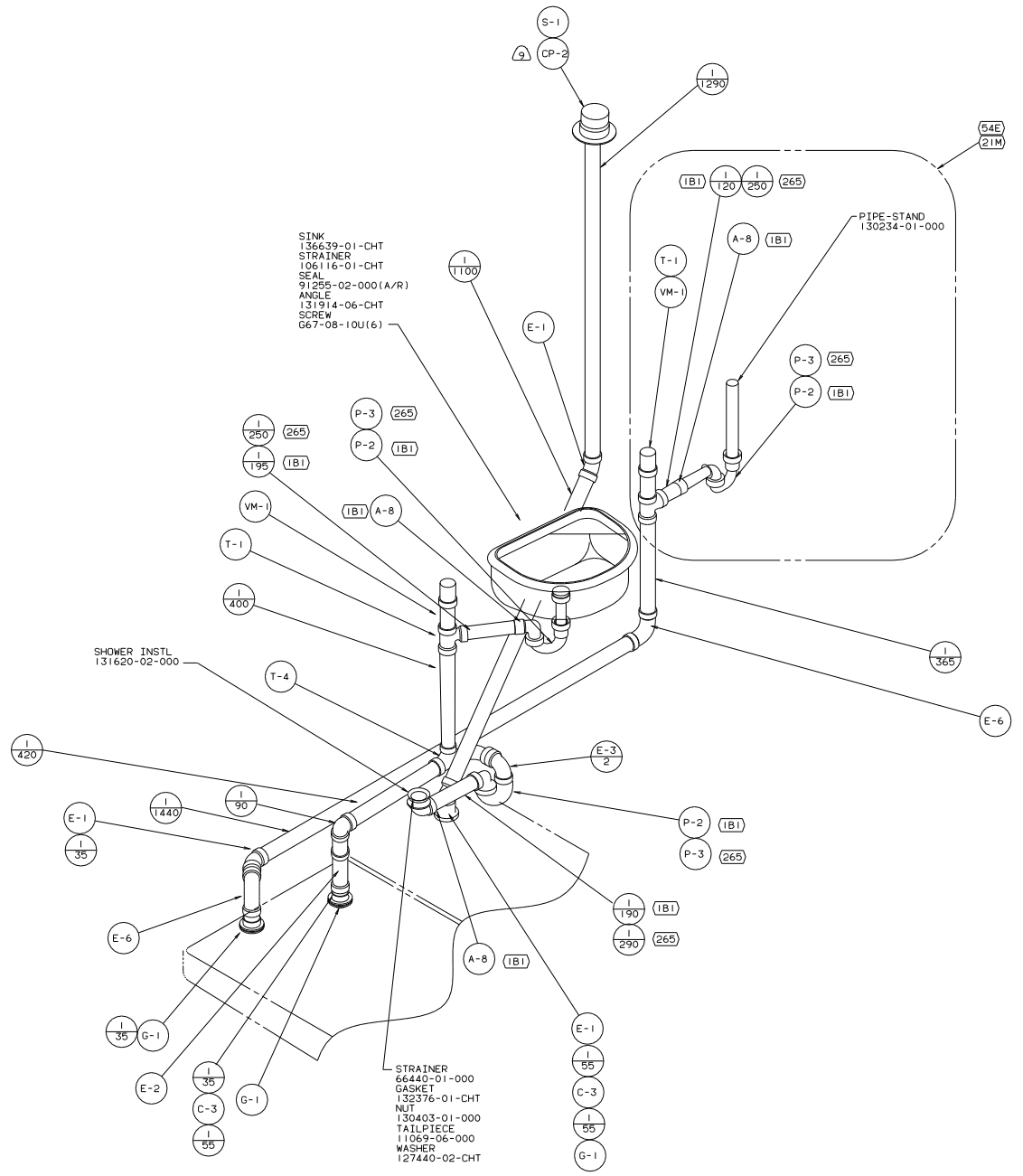
- 44E COUNTERTOP-SOL. SURFACE-GALLEY
- 44F COUNTERTOP-SOL. SURFACE-BATH
- 44A COUNTERTOP-LAMINATE-BATH
- 265 CODES/STANDARDS-CSA/CMVSS
- 1B1 CODES/STANDARDS USA
- 54E WASHER/DRYER
- 43E TOILET PORCELAIN-ROUND
- 21M WASHER/DRYER PREP

X-X FOR DRAINAGE CALLOUTS SEE DWG NO. 116229-01-000

COPYRIGHT © 2002 WINNEBAGO INDUSTRIES, INC.		WINNEBAGO		02 P36L	
DATE	UNSPECIFIED TOLERANCES ARE:	MATERIAL:			
DATE	WHOLE DIM (IN)	F			
DATE	ONE-PLACE (IN.X1)	.			
DATE	TWO-PLACE (IN.XXX)	.			
DATE	ANGLE	°			
DATE	THIRD ANGLE PROJECTION	☺			
DATE	DATE	139734			
LAYOUT L00A		TITLE:		DRAINAGE SYSTEM INSTL	
REV # SCALE: NONE		30-MET SCALE DRAWING		SHEET 1 OF 4	
ALL DIMENSIONS ARE IN MILLIMETERS		DRAWN		139734	



VIEW A-A



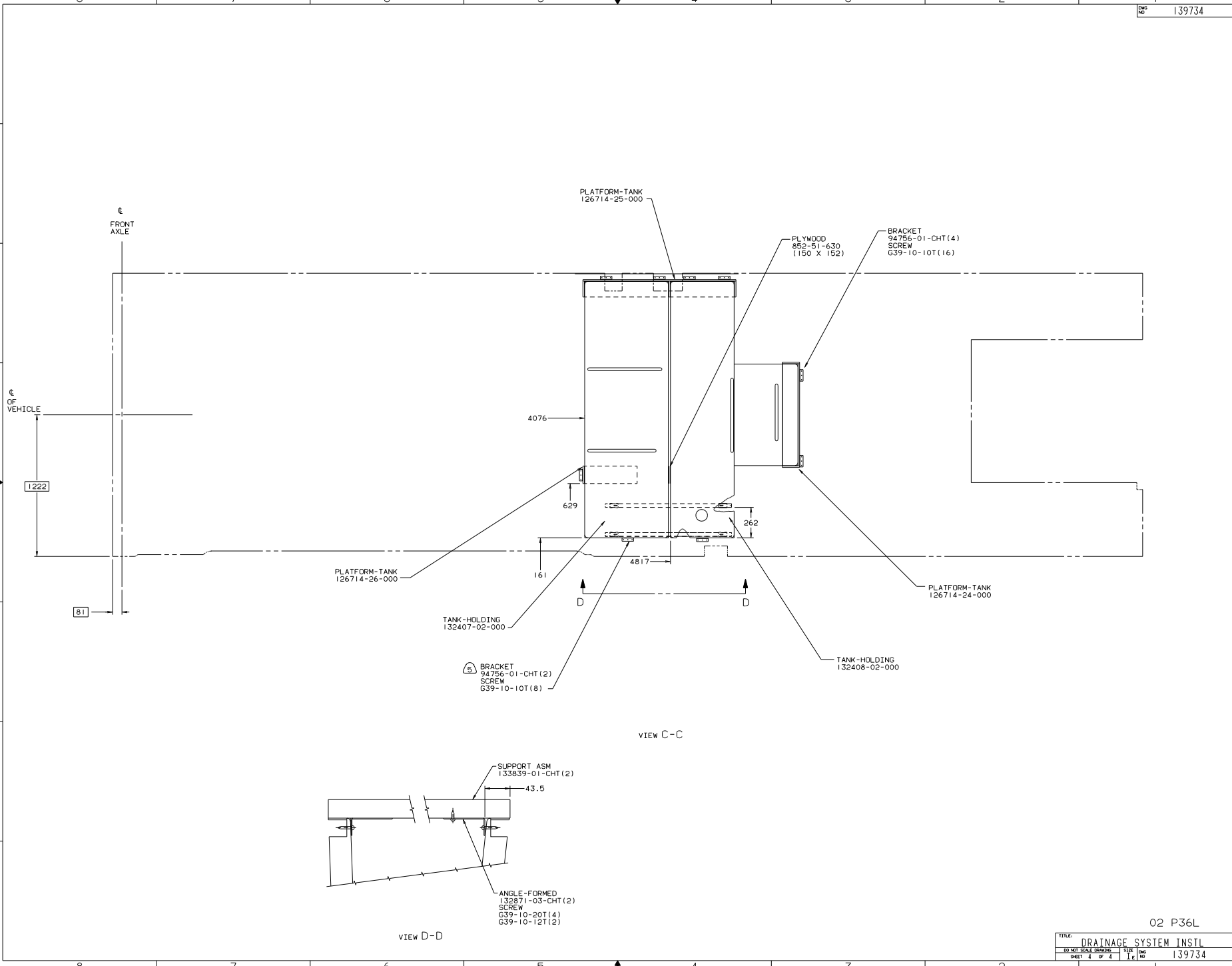
SINK
 136639-01-CHT
 STRAINER
 106116-01-CHT
 SEAL
 91255-02-000(A/R)
 ANGLE
 131914-06-CHT
 SCREW
 667-08-10U(6)

STRAINER
 66440-01-000
 GASKET
 132376-01-CHT
 NUT
 130403-01-000
 TAILPIECE
 11069-06-000
 WASHER
 127440-02-CHT

VIEW B-B

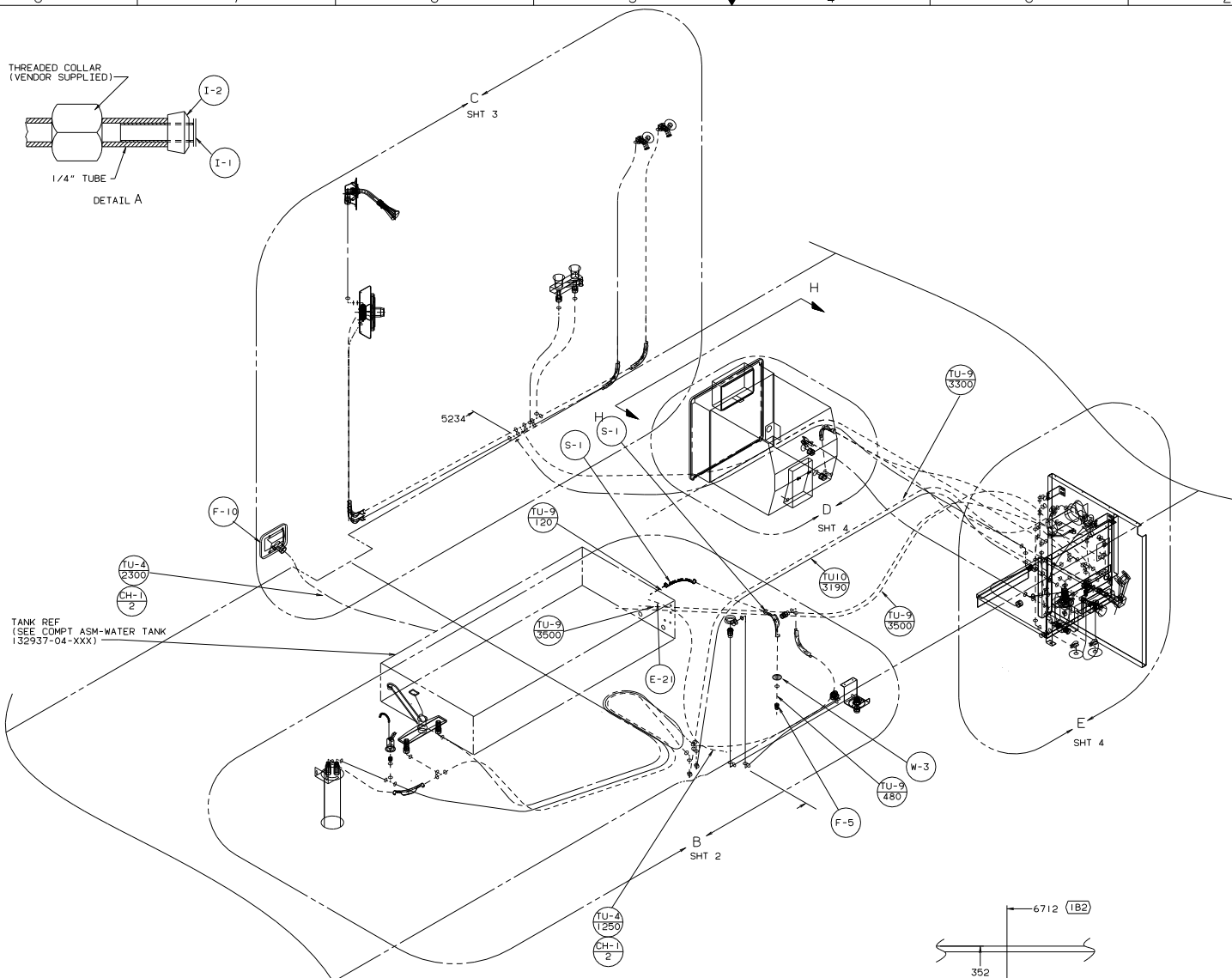
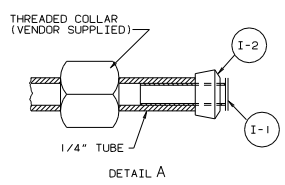
02 P36L

TITLE: DRAINAGE SYSTEM INSTL		DWG NO: 139734	
30-MET SCALE DRAWING	3 OF 4	SHEET	NO

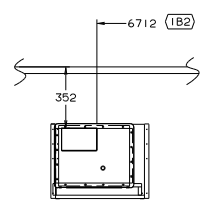


02 P36L

TITLE: DRAINAGE SYSTEM INSUL		DWG NO: 139734	
30-MET SCALE DRAWING	FILE	1/E	
SHEET 4 of 4			



TANK REF
(SEE COMPT ASM-WATER TANK
132937-04-XXX)



- 10 APPLY DECAL INSIDE OF UPPER SHOWER HEAD HOLDER TO RETAIN HAND SHOWER UNIT INSIDE OF HOLDER.
 - 9 WRAP WITH TEFLON TAPE 10405-03-000 TO FITTINGS.
 - 8 WRAP WITH TEFLON TAPE 10405-02-000 TO FITTINGS.
 - 7 WRAP WITH TEFLON TAPE 10405-01-000 MINIMUM THREE WRAPS.
 - 6 FLUSHING SYSTEM REQUIRES 125697-06-000 INSTRUCTION SHEET.
 - 5 CLAMPS MUST BE ON BARBS.
 - 4 USE DETAIL "A" IN THIS AREA.
3. ALL TUBING TO BE SECURED AT 1200 INTERVALS MAXIMUM WITH CLAMP 10495-01-000 OR CLIP 9151-01-000 AND SCREW G67-10-128.
 2. TUBING TO BE INSTALLED WITH SUFFICIENT SLOPE TO PROVIDE DRAINAGE TO NEAREST VALVE.
 1. PLASTIC FITTINGS TO BE SEALED WITH SEALANT 84456-01-000.

- (9B1) SHOWER PACKAGE
- (44F) COUNTERTOP-SOL. SURFACE-BATH
- (79W) REFRIGERATOR-4 DOOR
- (43A) SHOWER HEAD-FIXED
- (43H) SHOWER HEAD-HAND HELD
- (21T) WASHER/DRYER WITHOUT
- (54E) WASHER/DRYER
- (64R) EXTERIOR WASH STATION
- (53J) WATER HEATER BY-PASS-VALVE
- (21W) WASHER/DRYER PREP
- (1B2) WTR HTR-10GAL/ELEC/LP/MTR/ID
- (29B) WATER PURIFIER
- (18U) REFRIGERATOR/FRZR W/ICEMAKER

LEGEND		COPYRIGHT 2000 WINNERAGO INDUSTRIES, INC.		02 P36L	
HOT	-----	DATE	UNSPECIFIED TOLERANCES ARE:	MATERIAL:	
COLD	-----	DATE	ANGLE DIM (1:1)	.	
		DATE	HOLE-PLATE (1:1)	.	
		DATE	HOLE-PLATE (1:1)	.	
		DATE	ANGLE	.	
		DATE	THRU HOLE PROJECTION	.	
		DATE		.	
FOR WATER CALLOUTS SEE DWG NO. 116230-01-000		DRAWN BY: P36L		TITLE: WATER SYSTEM INSTL	
X-X		SHEET 1 OF 5		REF: 135323 G 1	

NOTES:

TO WATER CENTER

TO REFRIGERATOR

CHECK VALVE
125697-03-000

△ BREAKER-VACUUM
125697-04-000
(MUST BE MOUNTED ABOVE
TOILET FLOOD LEVEL)

FAUCET-GALLEY-SGL CONTROL
104114-03-CHT

SPACER-FAUCET
137079-02-CHT

BRACKET-SUPPORT
132765-01-CHT

FILL INLET
125697-05-000

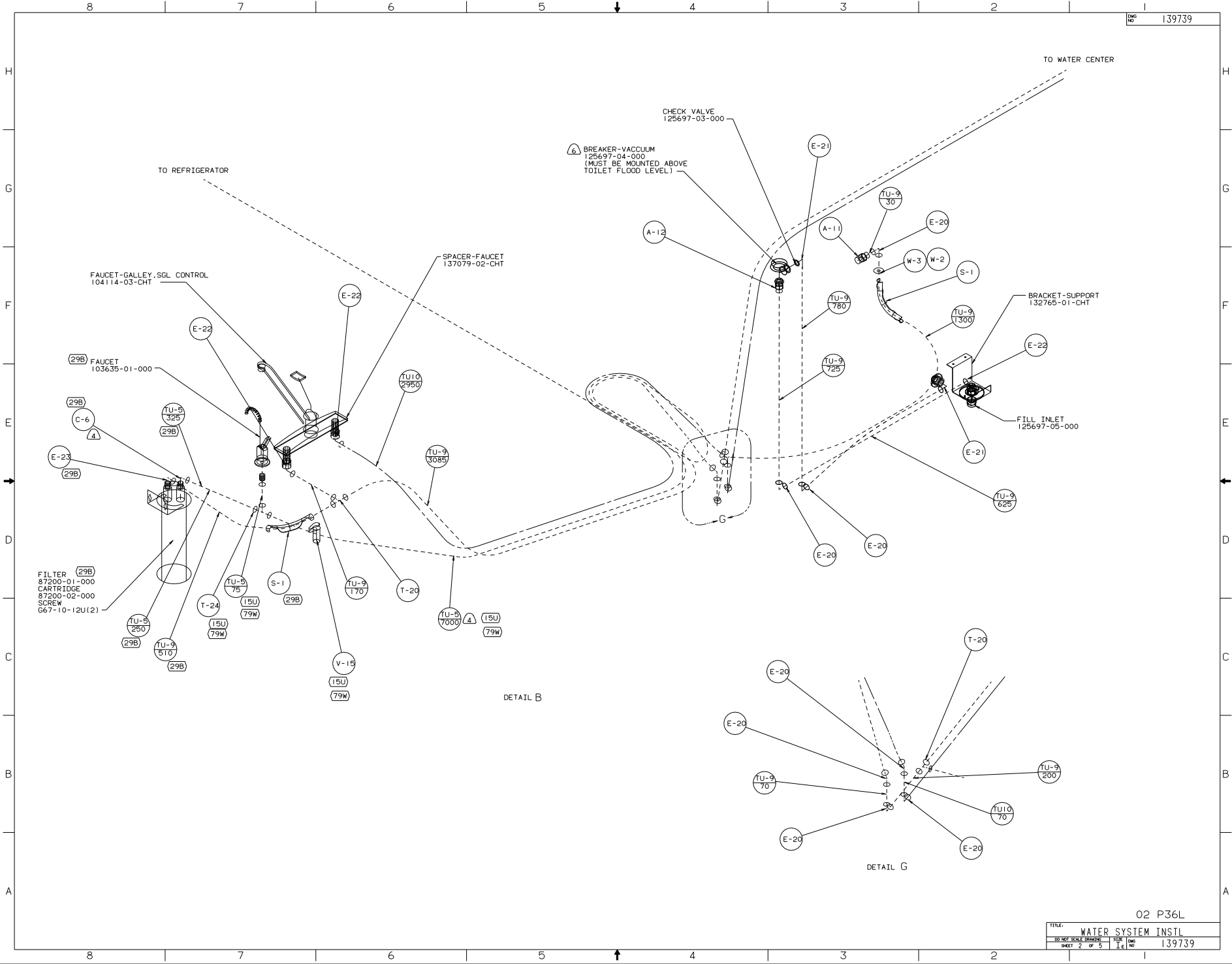
FILTER (29B)
87200-01-000
CARTRIDGE
87200-02-000
SCREW
G67-10-12U(2)

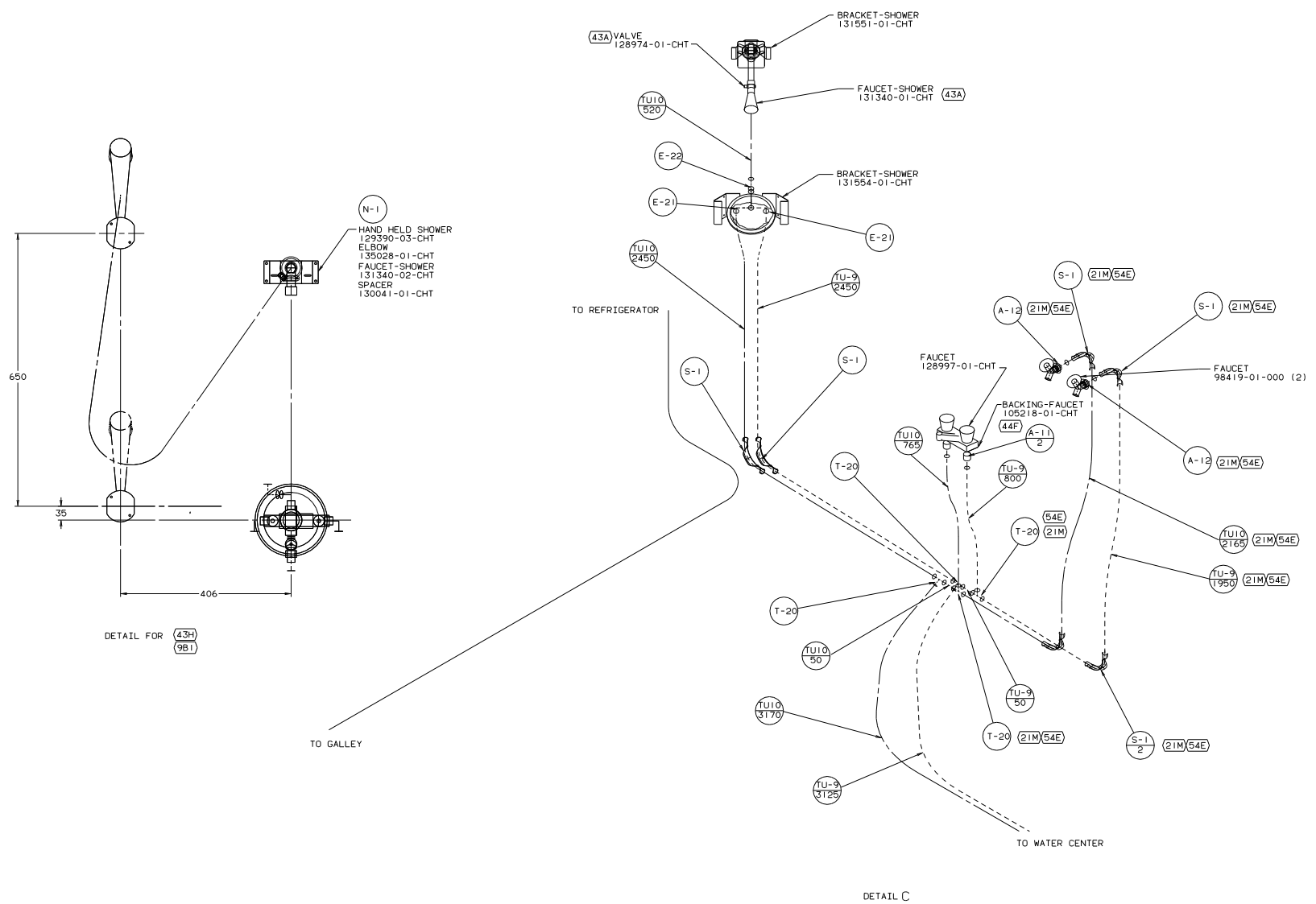
DETAIL B

DETAIL G

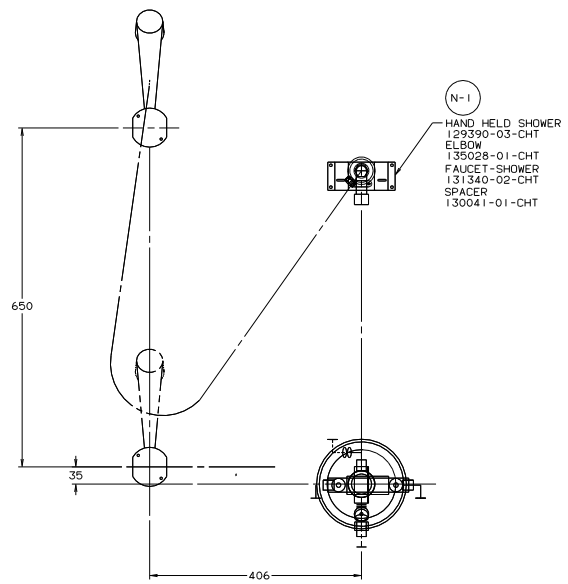
02 P36L

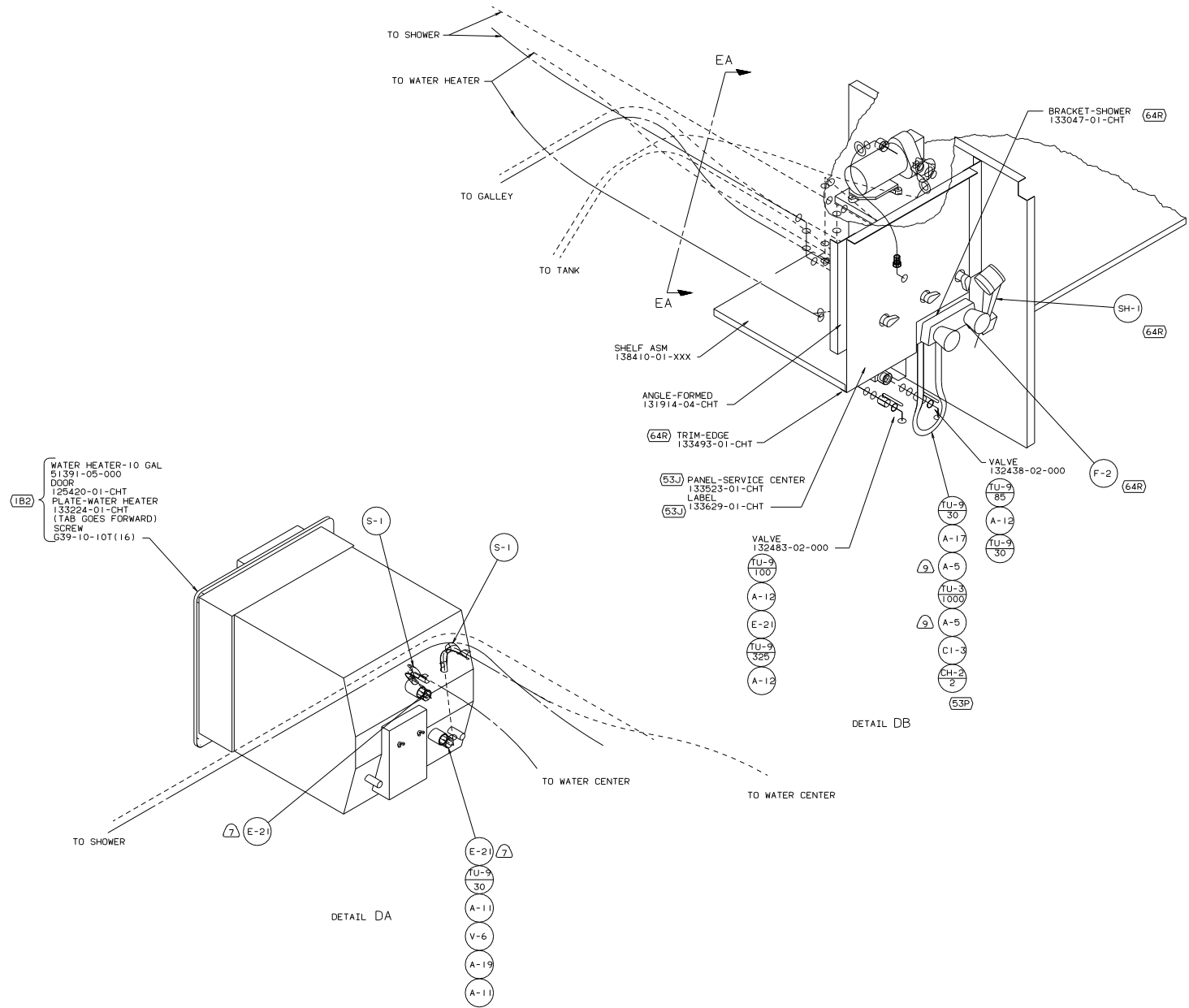
TITLE		WATER SYSTEM INSTL	
30-NET SCALE DRAWING	REV	DATE	DWG NO
SHEET 2 OF 5	1		139739

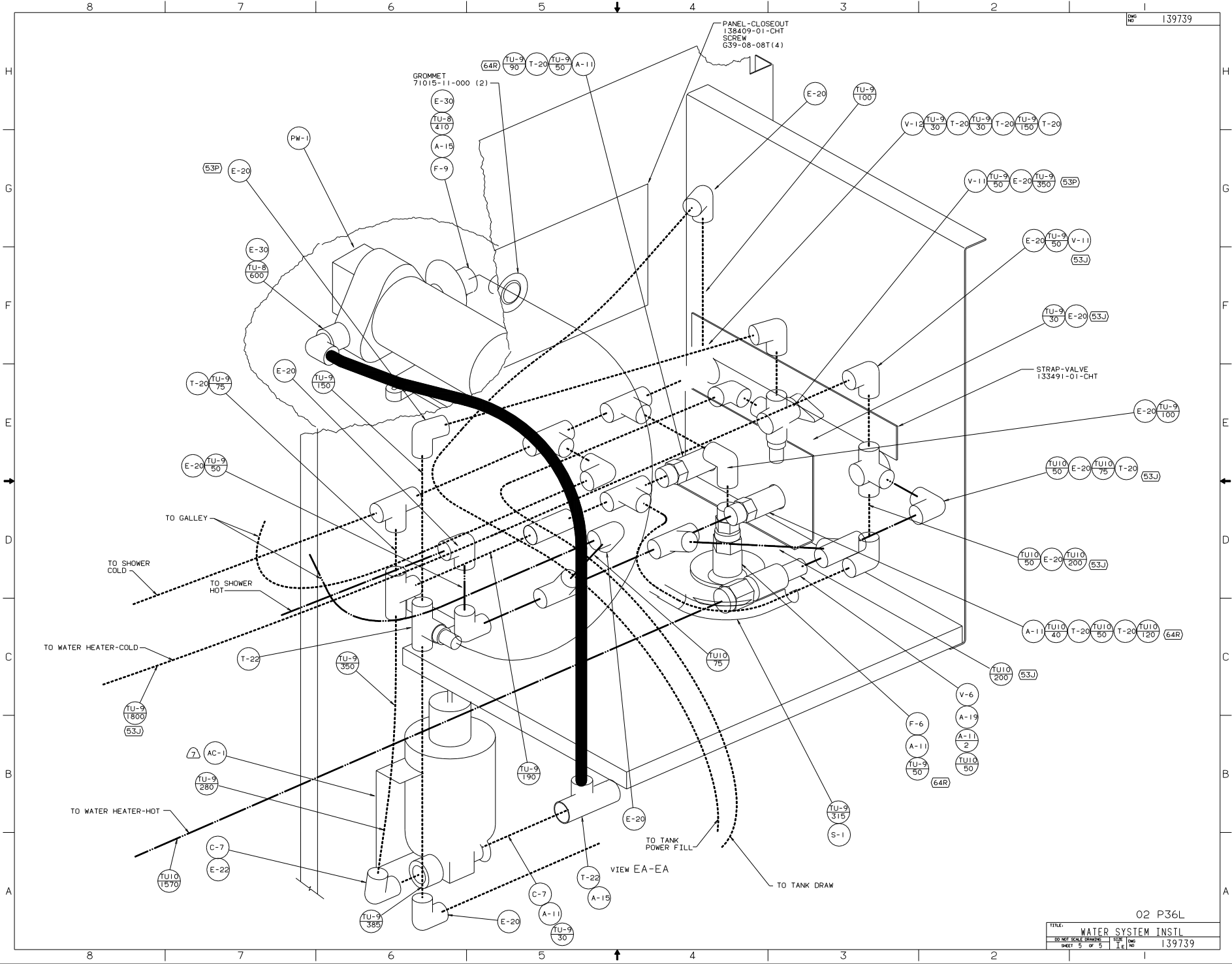




DETAIL FOR (43H) (9B1)







02 P36L

TITLE: WATER SYSTEM INSTL		DATE
30 NET SCALE DRAWING	SHEET	16
5 OF 5	NO.	139739