



DANGER

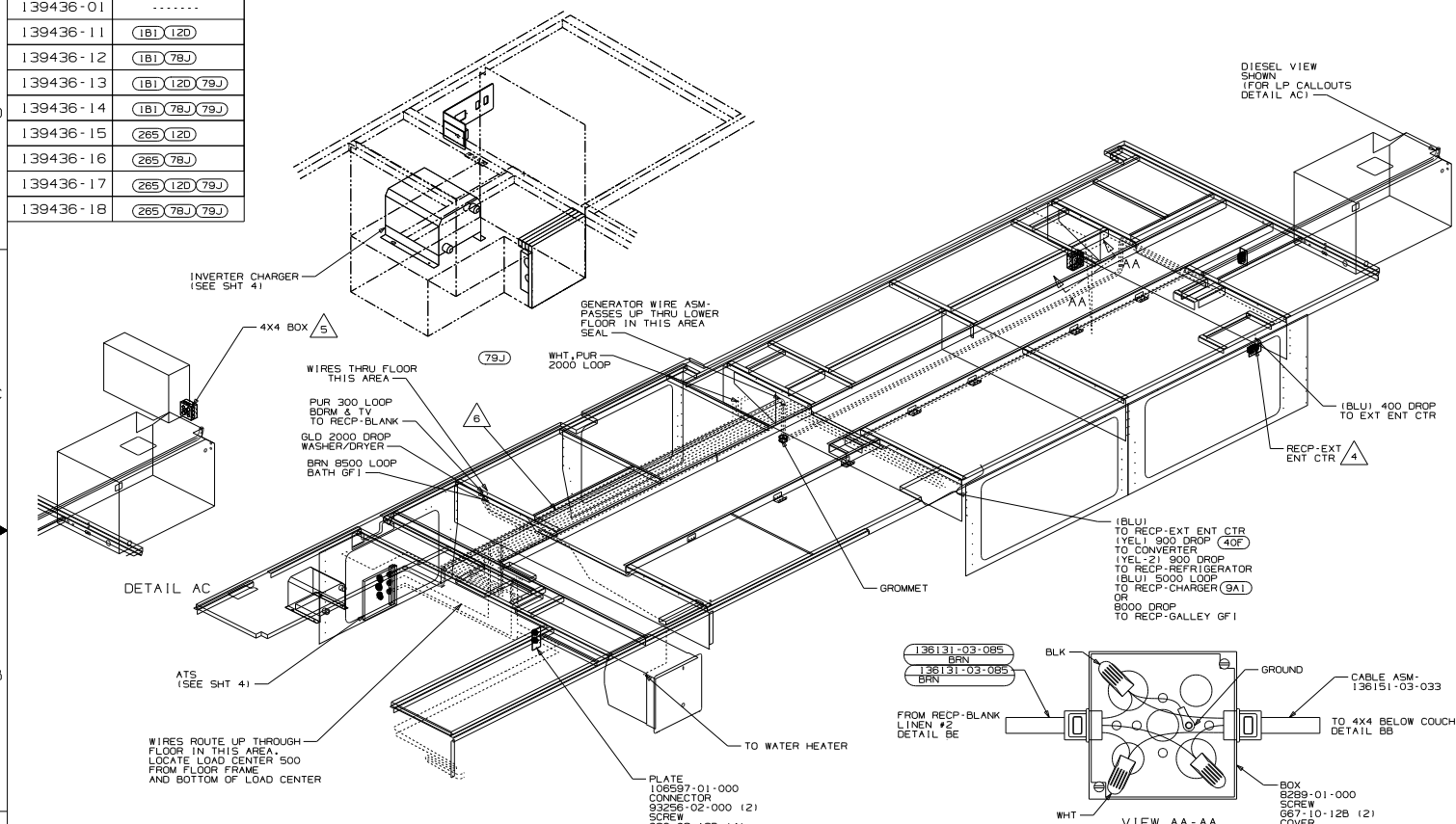
Danger of electrical shock, burns or death. Always remove all power sources before attempting any repair, service or diagnostic work. Power can be present from shore power, generator, inverter or battery. All power sources must be disabled and secured before performing any service.



CAUTION

If you lack the skills, tools or equipment to perform diagnostic or repair work leave such work to an authorized Winnebago Industries dealer or other qualified shop.

DRAWING NO.	FEATURE
139436-01
139436-11	(1B1) (12D)
139436-12	(1B1) (7BJ)
139436-13	(1B1) (12D) (79J)
139436-14	(1B1) (7BJ) (79J)
139436-15	(265) (12D)
139436-16	(265) (7BJ)
139436-17	(265) (12D) (79J)
139436-18	(265) (7BJ) (79J)



- (79J) INVERTER/CHARGER-1,500 WATT
- (9A1) ACCESSORY PACKAGE
- (670) GEN-7.5KW-ONAN-QUIET DIESEL
- (39R) GEN-6.5KW-ONAN-LP-MARQUI'S
- (7BJ) ELECTRICAL SYSTEM-50 AMP
- (40F) INVERTER-DC/AC-130W
- (265) CODES/STANDARDS-CSA/CMVSS
- (12D) ELECTRICAL SYSTEM 30 AMP
- (1B1) CODES/STANDARDS USA

6. ROUTED ALONG CHASSIS RAIL IN THIS AREA.
- (5) SEE GENERATOR INSTALLATION FOR ADDITIONAL INFORMATION.
- (4) SEE EXT ENT CTR COMPT FOR ADDITIONAL INFORMATION.
- (3) WIRE THAT REST ON WIRE TRAYS ARE TO BE TIED DOWN WITH WIRE TIE 8343-02-000.
- (2) CLAMP TO FLOOR SUPPORT TUBES AS NECESSARY WITH CLAMP 10497-01-000.
- (1) ALL WIRE TO BE CLAMPED WITH CLAMP 10495-01-000 OR CLIP 80734-02-000 EVERY 700. USE SCREW 067-10-12B UNLESS OTHERWISE SPECIFIED.

FOR ELECTRICAL TORQUE SPECIFICATIONS SEE DWG NO. 128783-01-000

X-X FOR ELECTRICAL CALLOUTS SEE DWG NO. 121339-01-000

WINNEBAGO

DATE 03/26/01
 DWG ALL DIMENSIONS ARE IN MILLIMETERS
 P.E. FIRST USED
 W.E. PART NO. 02 P36GD

UNSPECIFIED TOLERANCES ARE:
 HOLE DIA (.XX) ± .01
 ONE-PLACE (.XX) ± .01
 TWO-PLACE (.XX) ± .01
 HOLE ± .01

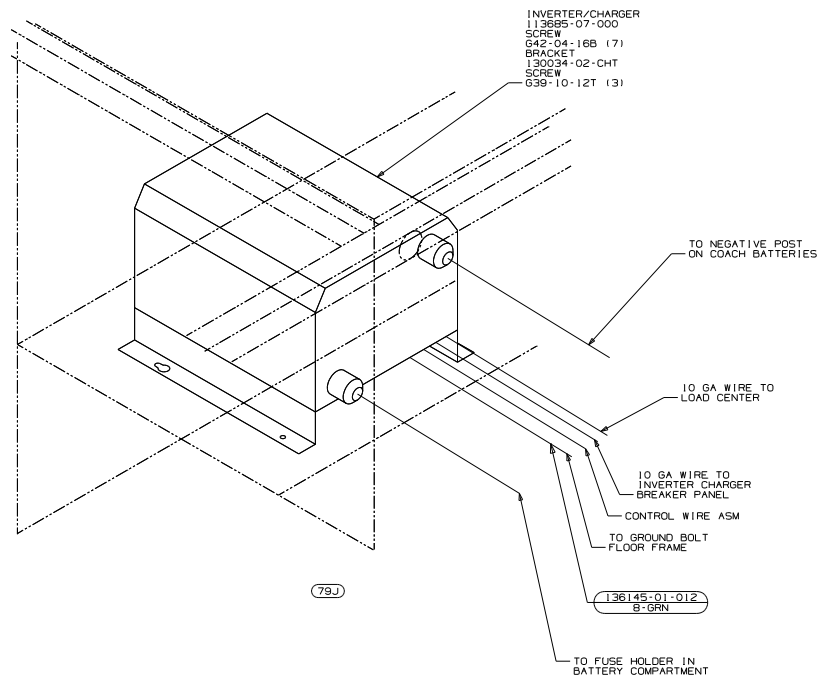
THIRD ANGLE PROJECTION

DO NOT SCALE DRAWING

TITLE: WIRING INSTL-BODY,110V

SHEET 1 of 4 PART NO. 139436

REF: 1 PAGE 188



- 5 NOTE
- 4 NOTE
- 3 ALL 110V STRANDED WIRE W/O TERMINALS TO BE STRIPPED 10MM AND SOLDER DIPPED.
- 2 GROUND WIRES NOT SHOWN FOR CLARITY.
- 1 ALL WIRES TO CLAMPED WITHIN 200 OF BOX.

NOTES:

- 265 FEATURE NOTE
- 79J GEM-7,5KW-ONAN-QUIET DIESEL
- 1B1 CODES/STANDARDS USA
- 1B1 265

FOR ELECTRICAL TORQUE SPECIFICATIONS SEE DWG NO 128793-01-000

FOR ELECTRICAL CALLOUTS SEE DWG NO 121339-01-000

FIRST USED	
02 P36GD	
DO NOT SCALE DRAWING	
TITLE:	WIRING INSTL-BODY,110V
4	PART NO 139436