



**DANGER**

**Danger of electrical shock, burns or death.** Always remove all power sources before attempting any repair, service or diagnostic work. Power can be present from shore power, generator, inverter or battery. All power sources must be disabled and secured before performing any service.



**CAUTION**

If you lack the skills, tools or equipment to perform diagnostic or repair work leave such work to an authorized Winnebago Industries dealer or other qualified shop.



**DANGER**

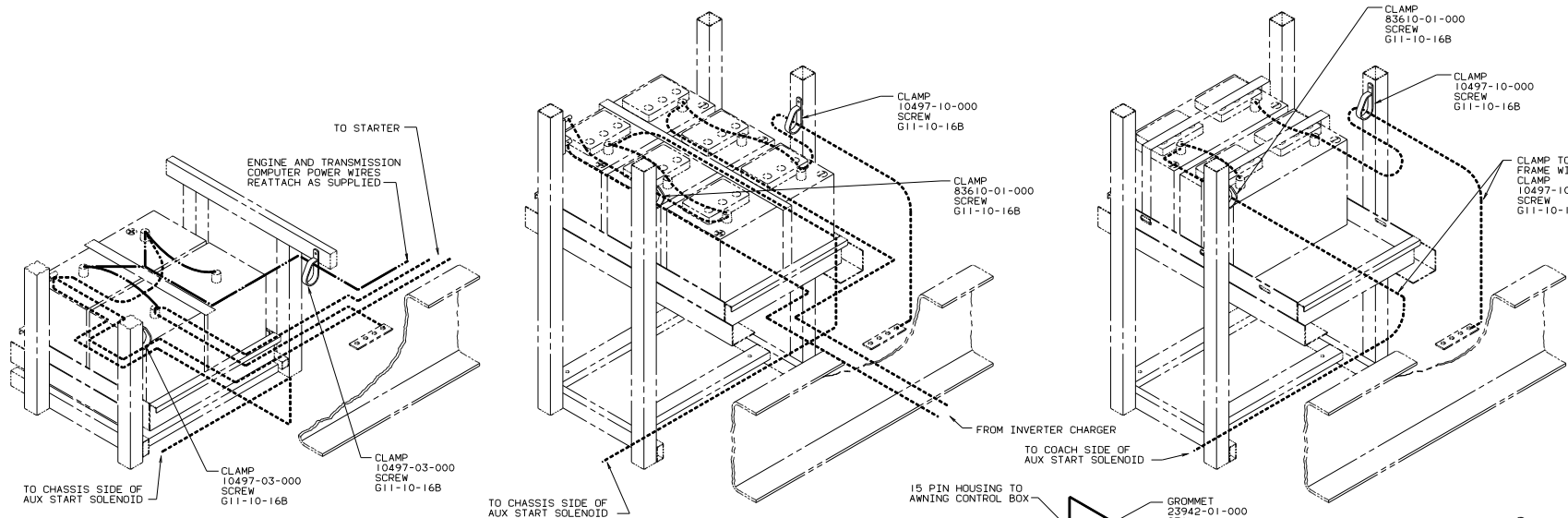
**Danger of electrical shock, burns or death.** Always remove all power sources before attempting any repair, service or diagnostic work. Power can be present from shore power, generator, inverter or battery. All power sources must be disabled and secured before performing any service.



**CAUTION**

If you lack the skills, tools or equipment to perform diagnostic or repair work leave such work to an authorized Winnebago Industries dealer or other qualified shop.

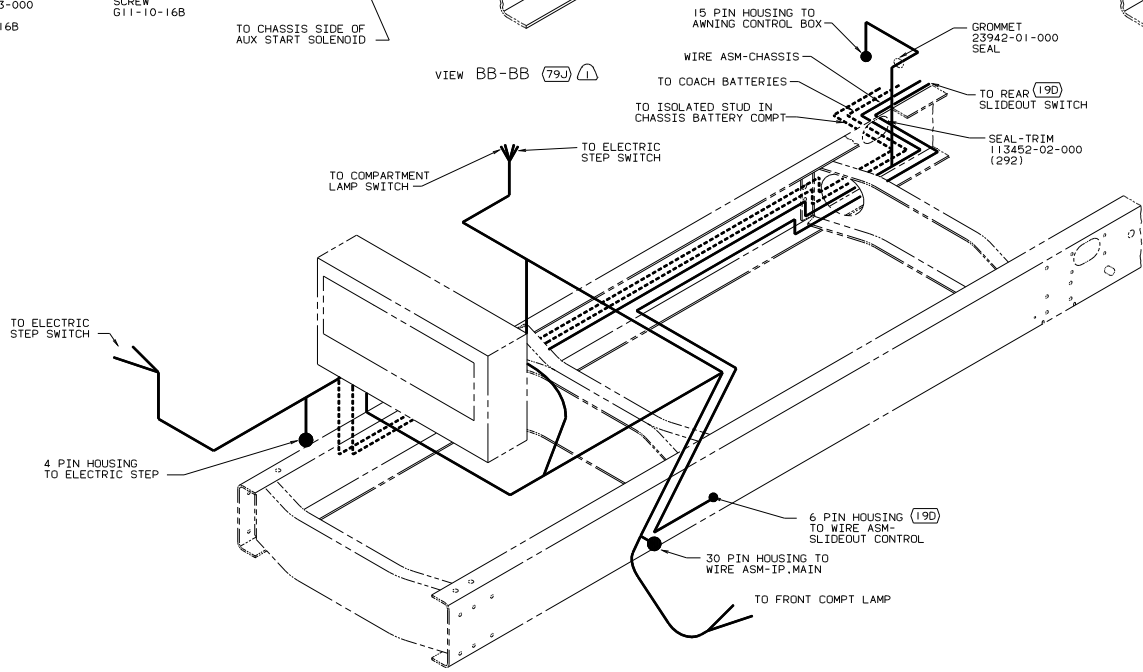




VIEW BB-BB (A)

VIEW BB-BB (79J) (A)

VIEW BB-BB (22J) (A)



DETAIL BA

- (19D) SLIDEOUT ROOM REAR LEFTHAND
- (79J) INVERTER/CHARGER-1,500 WATT BATTERY-TWO
- (22W) BATTERY-TWO

02 P36L/LD/G/CD

TITLE		WIRING INSL-CHASSIS	
DO NOT SCALE DRAWING	REV	NO	137991
SHEET 2	OF 2	IF NO	

NOTES:

(A) CLAMP WIRES TO TUBES WITH ENOUGH SLACK TO PULL BATTERY TRAY OUT 20 INCHES.