



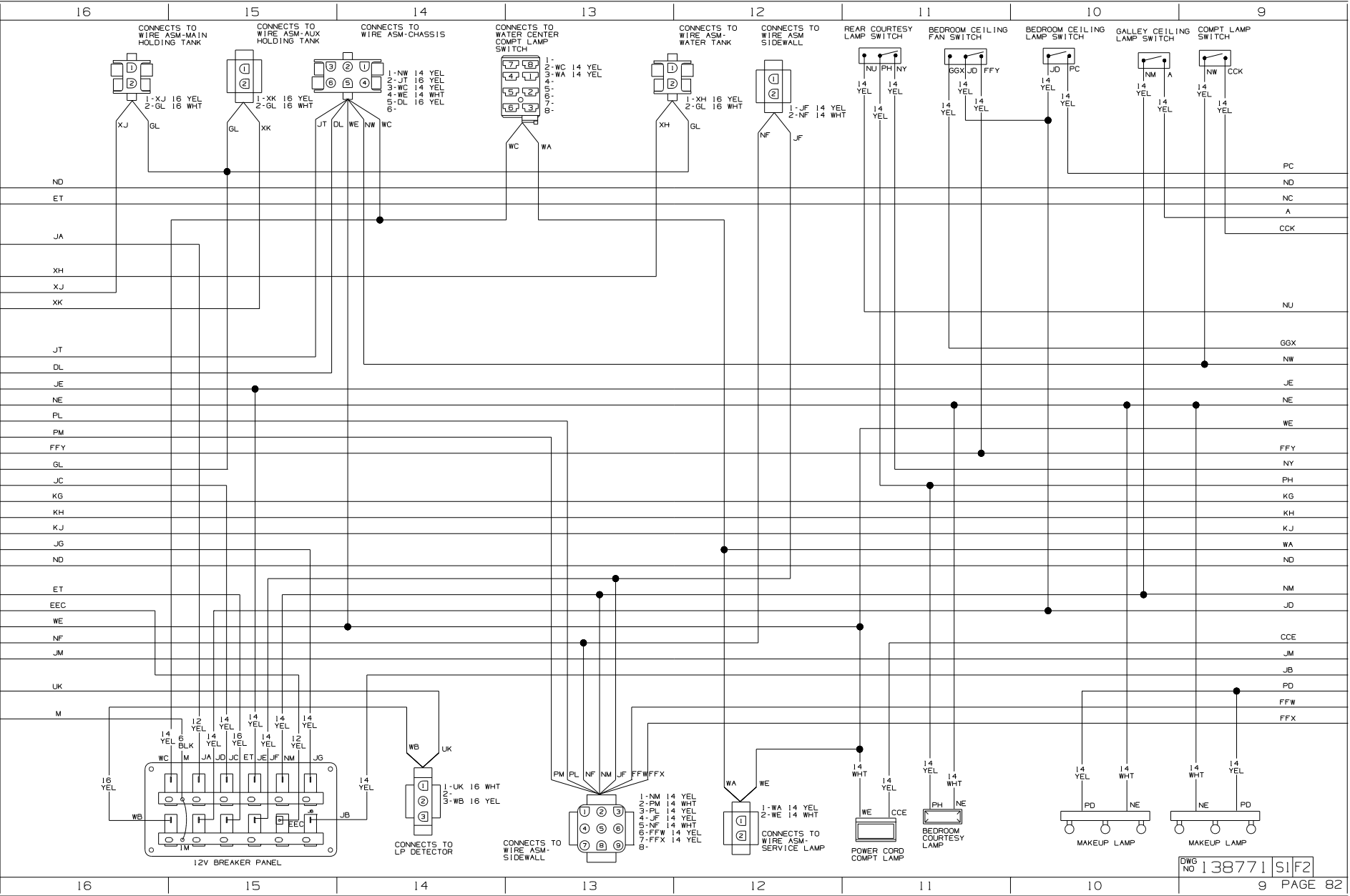
DANGER

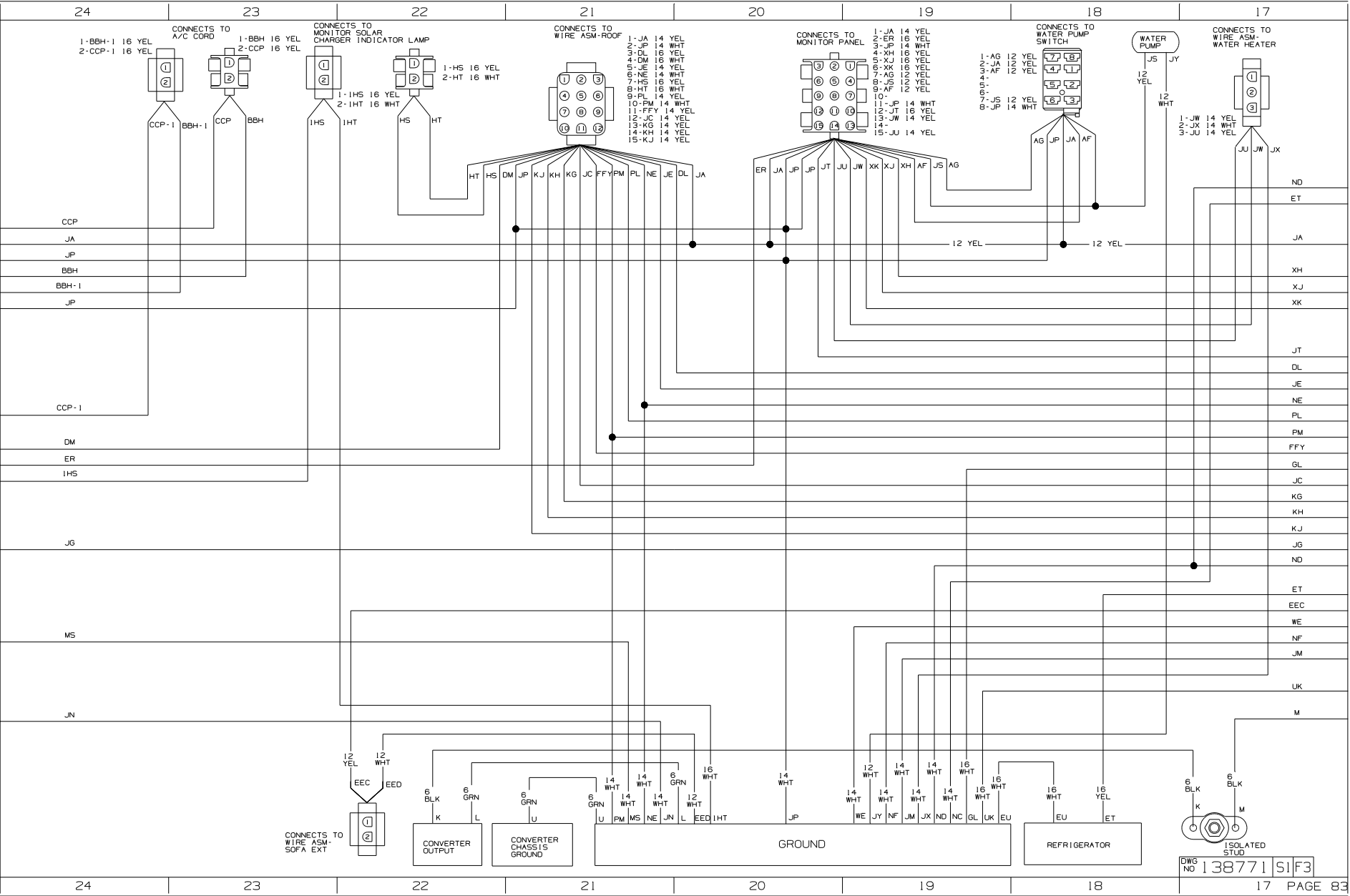
Danger of electrical shock, burns or death. Always remove all power sources before attempting any repair, service or diagnostic work. Power can be present from shore power, generator, inverter or battery. All power sources must be disabled and secured before performing any service.

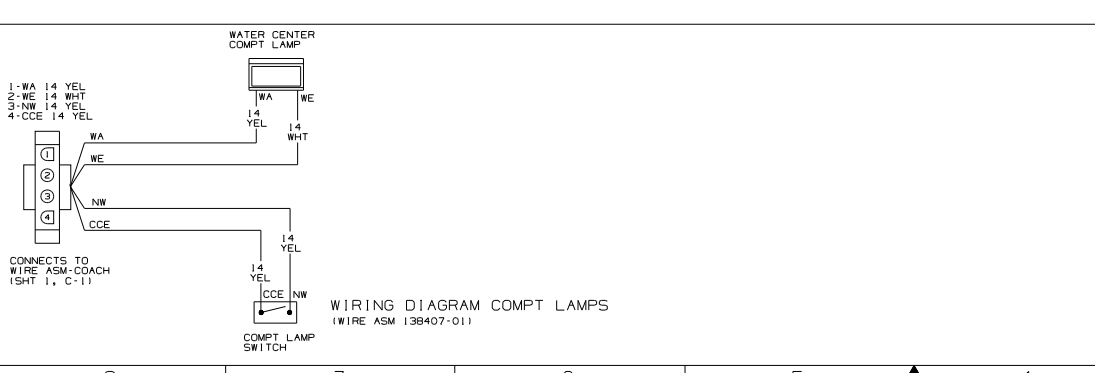
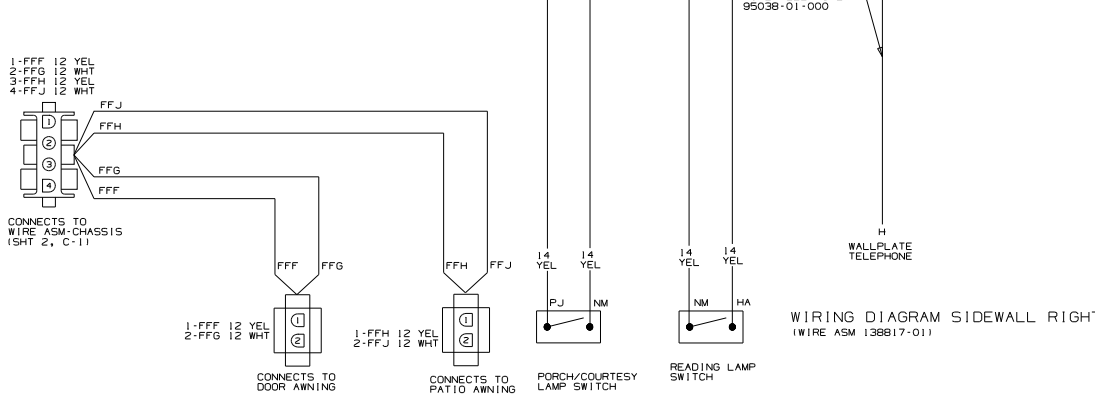
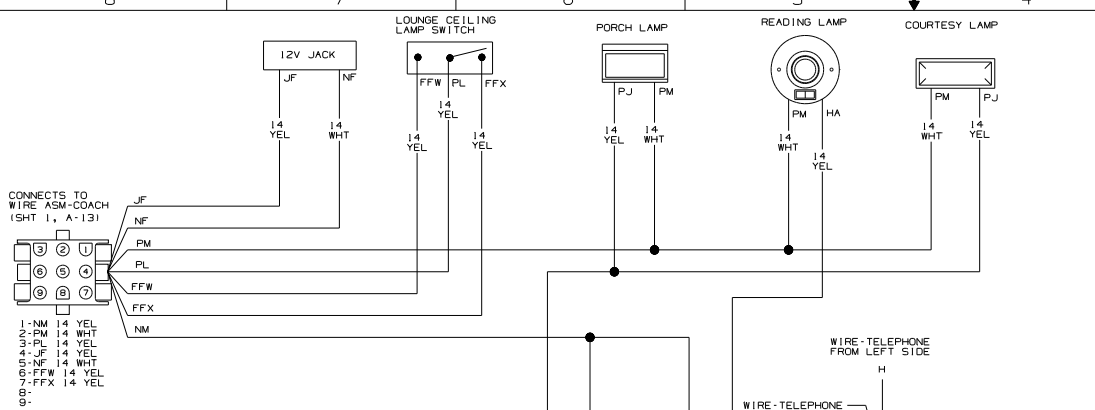


CAUTION

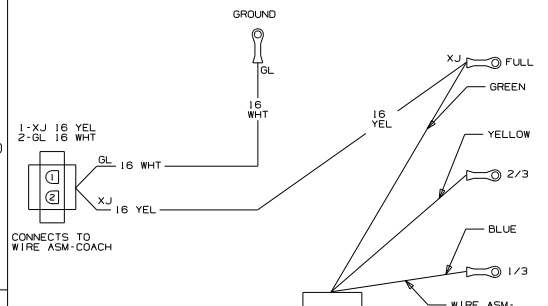
If you lack the skills, tools or equipment to perform diagnostic or repair work leave such work to an authorized Winnebago Industries dealer or other qualified shop.



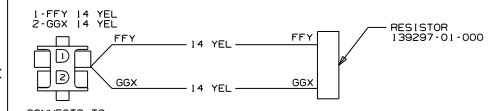




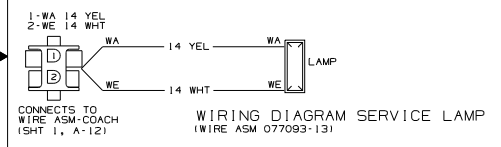
FIRST USED	02 P36C
TITLE:	DO NOT SCALE DRAWING
WIRING DIAGRAM-BODY, 12V	
SHEET 4	PART NO 138771



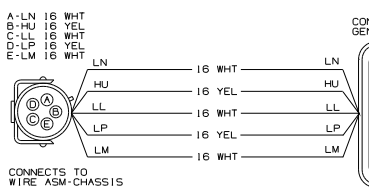
WIRING DIAGRAM MAIN HOLDING TANK (WIRE ASM 96450-05)



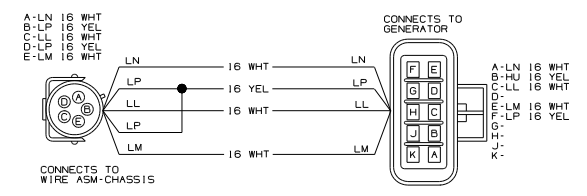
WIRING DIAGRAM RESISSTOR,FAN (WIRE ASM 140195-01)



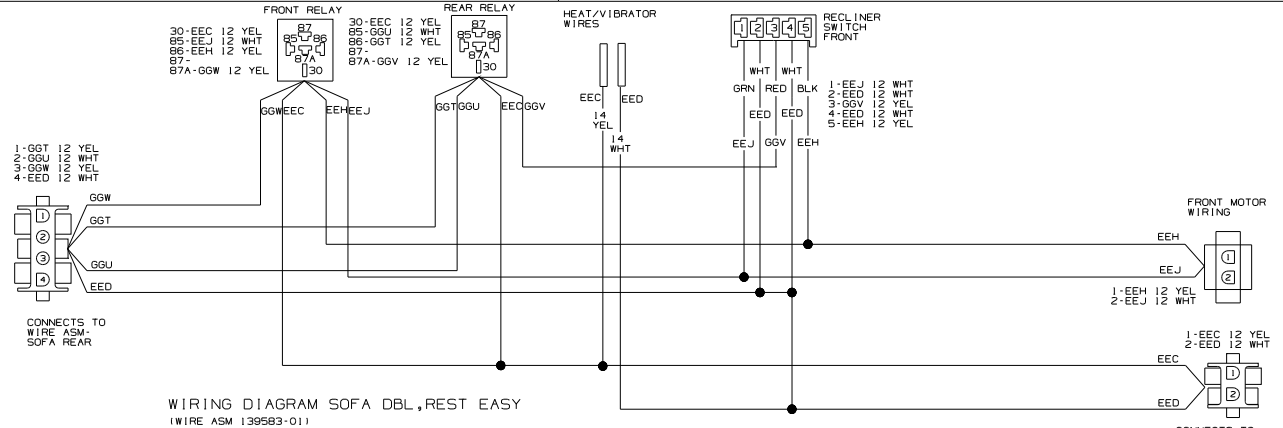
WIRING DIAGRAM SERVICE LAMP (WIRE ASM 077093-13)



WIRING DIAGRAM GEN ADAPTER DIESEL (WIRE ASM 130331-02)



WIRING DIAGRAM GEN ADAPTER LP (WIRE ASM 130332-01)



WIRING DIAGRAM SOFA DBL,REST EASY (WIRE ASM 139583-01)

FIRST USED	02 P36C
DO NOT SCALE DRAWING	
TITLE: WIRING DIAGRAM-BODY,12V	
SHEET 6	PART NO 138771