



DANGER

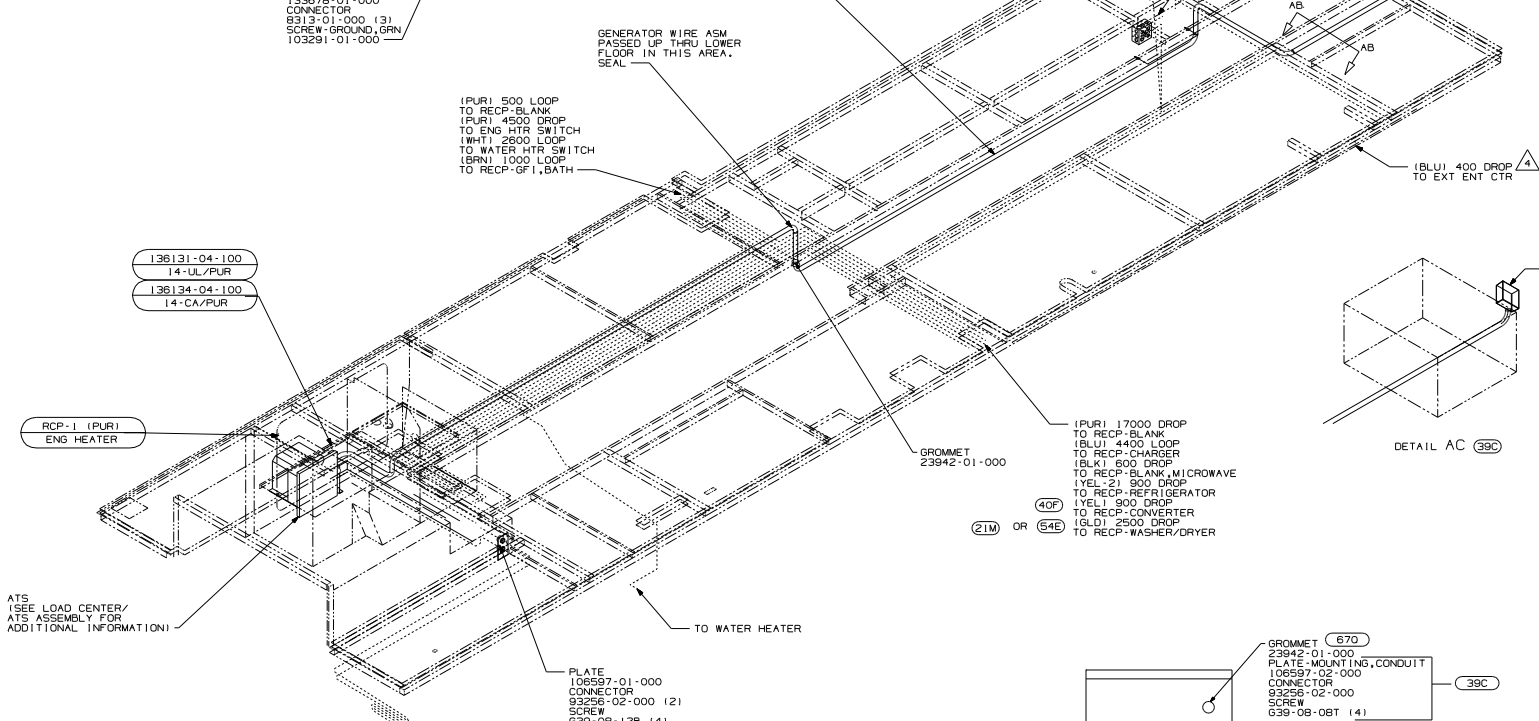
Danger of electrical shock, burns or death. Always remove all power sources before attempting any repair, service or diagnostic work. Power can be present from shore power, generator, inverter or battery. All power sources must be disabled and secured before performing any service.



CAUTION

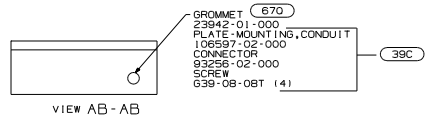
If you lack the skills, tools or equipment to perform diagnostic or repair work leave such work to an authorized Winnebago Industries dealer or other qualified shop.

| DWG NO | FEATURE |
|-----------|-------------------|
| 138770-01 | . |
| 138770-11 | (1B) (12D) |
| 138770-12 | (1B) (78J) |
| 138770-13 | (1B) (12D) (79J) |
| 138770-14 | (1B) (78J) (79J) |
| 138770-15 | (265) (12D) |
| 138770-16 | (265) (78J) |
| 138770-17 | (265) (12D) (79J) |
| 138770-18 | (265) (78J) (79J) |



- (79J) INVERTER/CHARGER-1,500 WATT
- (78J) ELECTRICAL SYSTEM 50 AMP
- (12D) ELECTRICAL SYSTEM 30 AMP
- (64E) WASHER/DRYER
- (21M) WASHER/DRYER PREP
- (40F) INVERTER-DC/AC-130W
- (670) GEN 7.5KW-ONAN-QUIET-DIESEL
- (39C) GEN 6.5K-ONAN-LP-MARO-GOLD
- (265) CODES/STANDARDS CSA/CMVSS
- (1B) CODES/STANDARDS USA

- ATS (SEE LOAD CENTER/ATS ASSEMBLY FOR ADDITIONAL INFORMATION)
5. SEE GENERATOR INSTALLATION FOR ADDITIONAL INFORMATION.
4. SEE EXT ENT CTR COMPT FOR ADDITIONAL INFORMATION.
3. WIRES THAT REST ON WIRE TRAYS ARE TO BE TIED DOWN WITH WIRE TIE 6343-02-000.
2. CLAMP TO FLOOR SUPPORT TUBES AS NECESSARY WITH CLAMP 104-97-01-000.
1. ALL WIRES TO BE CLAMPED WITH CLAMP 10495-01-000 OR CLIP 80734-02-000 EVERY 700. USE SCREW 667-10-128 UNLESS OTHERWISE SPECIFIED.



FOR ELECTRICAL TORQUE SPECIFICATIONS SEE DWG NO. 126783-01-000

(X-X)

FOR ELECTRICAL CALLOUTS SEE DWG NO. 121399-01-000

(1B) (265) (12D) (78J) (79J)

WINNEBAGO

ORIG. DATE 02/03/01

CHW ALL DIMENSIONS ARE IN MILLIMETERS

P.E. FIRST USED

MATERIAL: 02 P36C

UNSPECIFIED TOLERANCES ARE:
 HOLE DIA (X.X) 1
 ONE-PLACE (X.X) 1.5
 TWO-PLACE (X.X) 0.50
 HOLE 1.1

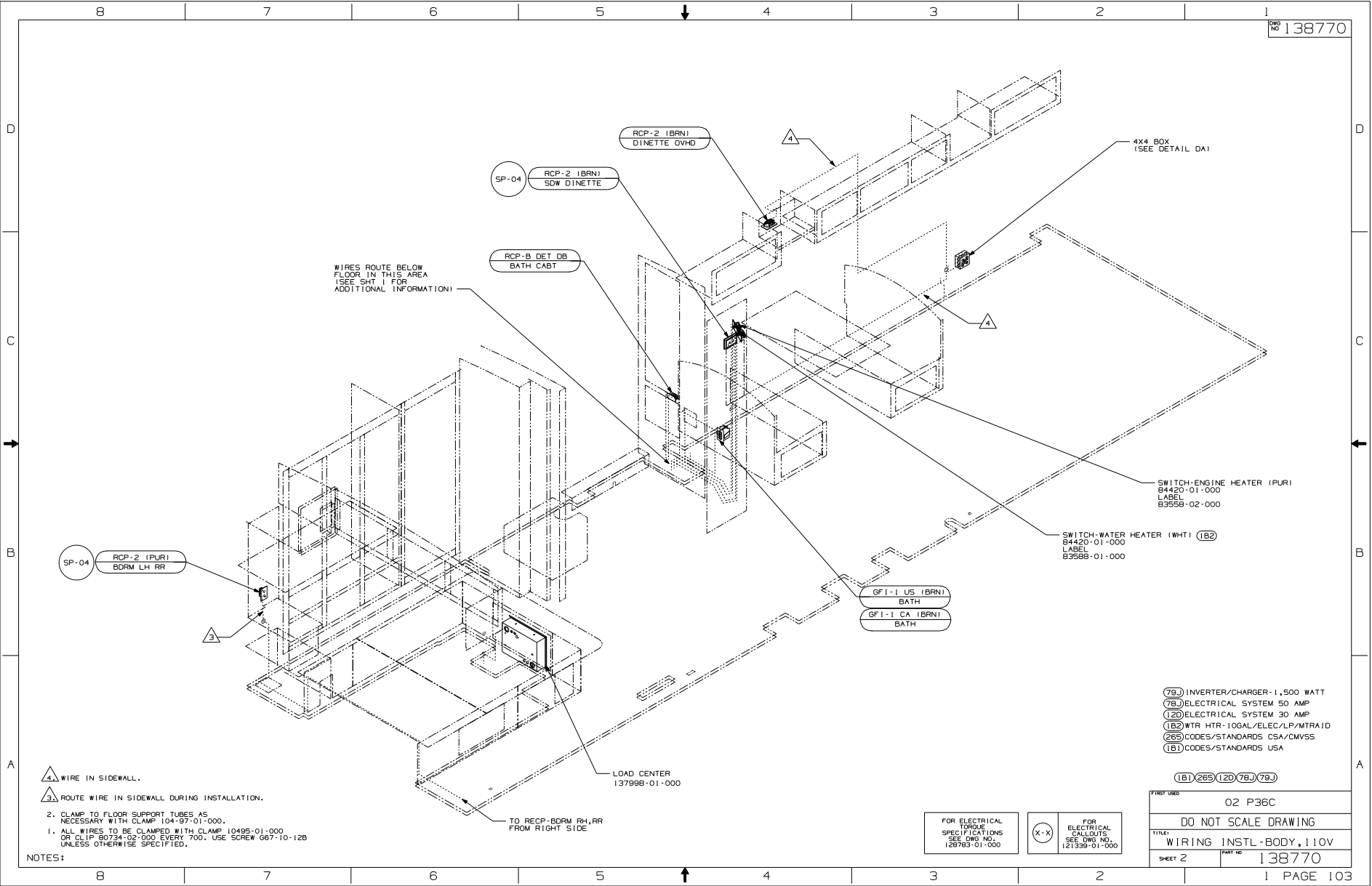
THIRD ANGLE PROJECTION

DO NOT SCALE DRAWING

TITLE: WIRING INSTL-BODY,110V

SHEET 1 of 5 PART NO 138770

REF: 135753 1 PAGE 102



- ▲ WIRE IN SIDEWALL.
- ▲ ROUTE WIRE IN SIDEWALL DURING INSTALLATION.

2. CLAMP TO FLOOR SUPPORT TUBES AS NECESSARY WITH CLAMP 104-97-01-000.
1. ALL WIRES TO BE CLAMPED WITH CLAMP 10495-01-000 OR CLIP 80734-02-000 EVERY 700. USE SCREW 667-10-12B UNLESS OTHERWISE SPECIFIED.

NOTES:

- (79J) INVERTER/CHARGER-1,500 WATT
- (79) ELECTRICAL SYSTEM 50 AMP
- (120) ELECTRICAL SYSTEM 30 AMP
- (1B2) WTR HTR-10GAL/ELEC/LP/MTR10
- (265) CODES/STANDARDS CSA/CMVSS
- (1B1) CODES/STANDARDS USA

(1B1)(265)(120)(79J)(79)

| | | | |
|-------------------------------|---------|---------|--------|
| FIRST USED | | 02 P36C | |
| DO NOT SCALE DRAWING | | | |
| TITLE: WIRING INSTL-BODY,110V | | | |
| SHEET 2 | PART NO | | 138770 |

FOR ELECTRICAL TORQUE SPECIFICATIONS SEE DWG NO. 126783-01-000

(X-X) FOR ELECTRICAL CALLOUTS SEE DWG NO. 121339-01-000

TO RECP-BDRM RH,RR FROM RIGHT SIDE

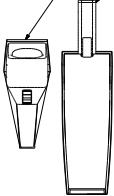
FLASH LIGHT-RECHARGEABLE
133140-01-000
SCREW
611-08-10B (2) (48C)

VACUUM CLEANER-RECHARGEABLE
133139-01-000
SCREW
611-08-10B (2)
FASTENER-DUAL LOCK
B5774-01-000 (100MM)
FASTENER-DUAL LOCK
B5774-02-000 (100MM) (22R)

RCP-2 (BLU)
LOUNGE FRNT

GF1-1-US (BLU)
GALLEY

HAIR DRYER, WALL-MOUNT
133068-01-000
SCREW
611-08-10U (3)



VIEW CB-CB

GALLEY WALL

257

LAVATORY TOP

550

VIEW CA-CA

WIRES ROUTE BELOW
FLOOR IN THIS AREA
(SEE SH1 J FOR
ADDITIONAL INFORMATION)

110V WIRES (PUR)
FROM ROOF ASM

RCP-B DET DE
CABT, TV

RCP-3 (PUR-21)
TV

TV 19" (420)
126696-07-000

SPACER
133713-07-CHT
SCREW
611-08-20D (14)

RCP-2 (PUR)
BDRM RH RR

RCP-3 (YEL)
REFRIGERATOR

RCP-1 (YEL)
CONVERTER (13B)

RCP-E (BLU)
EXTERIOR

RCP-1 (GLD)
WASHER/DRYER (21M) OR (54E)

- (54E) WASHER/DRYER
- (420) TV-AC COLOR WITH REMOTE
- (7B) ELECTRICAL SYSTEM 50 AMP
- (12D) ELECTRICAL SYSTEM 30 AMP
- (21M) WASHER/DRYER PREP
- (48C) FLASHLIGHT
- (22R) VACUUM CLEANER-PORTABLE
- (13B) INVERTER/CHARGER-DC/AC W/O
- (265) CODES/STANDARDS CSA/CMVSS
- (1B1) CODES/STANDARDS USA

(1B1) (265) (12D) (7B)

- △ ROUTE WIRE IN SIDEWALL DURING INSTALLATION.
- △ ROUTE WIRE IN FLOOR DURING INSTALLATION.
- △ WIRE ROUTED IN SIDEWALL.

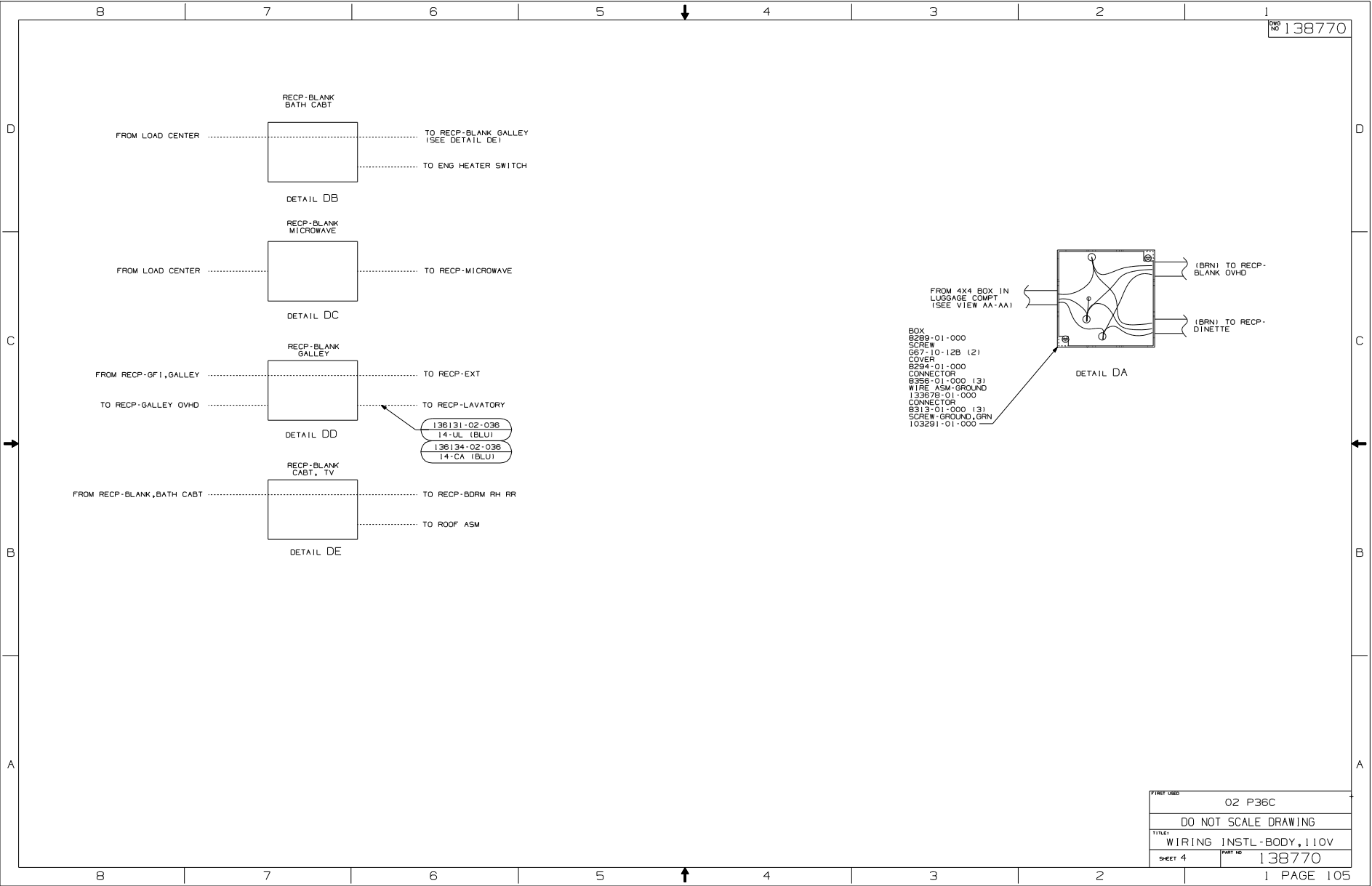
2. CLAMP TO FLOOR SUPPORT TUBES AS NECESSARY WITH CLAMP 104-97-01-000.

1. ALL WIRES TO BE CLAMPED WITH CLAMP 10495-01-000 OR CLIP B0734-02-000 EVERY 700. USE SCREW G67-10-12B UNLESS OTHERWISE SPECIFIED.

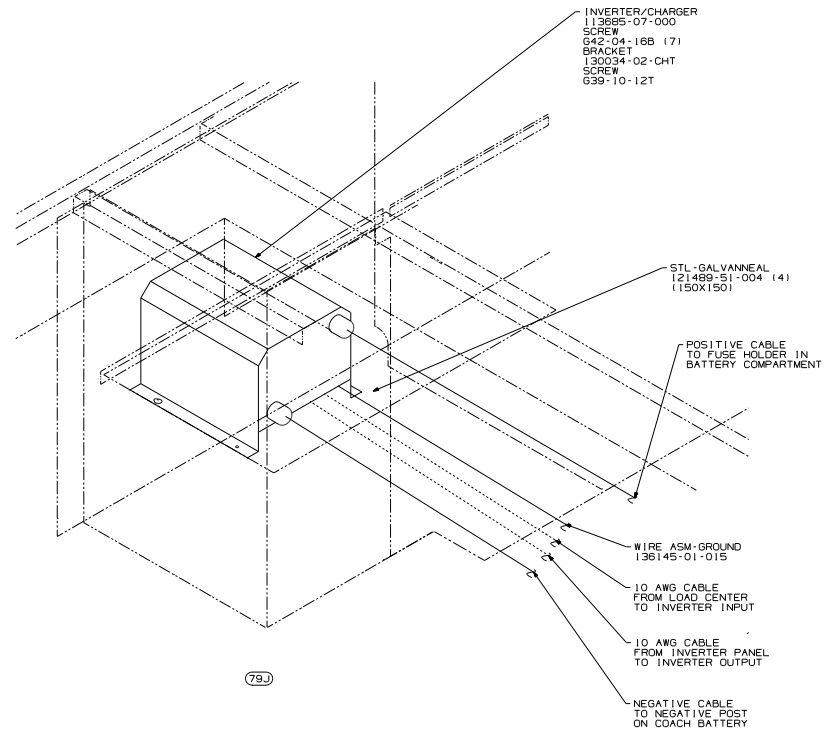
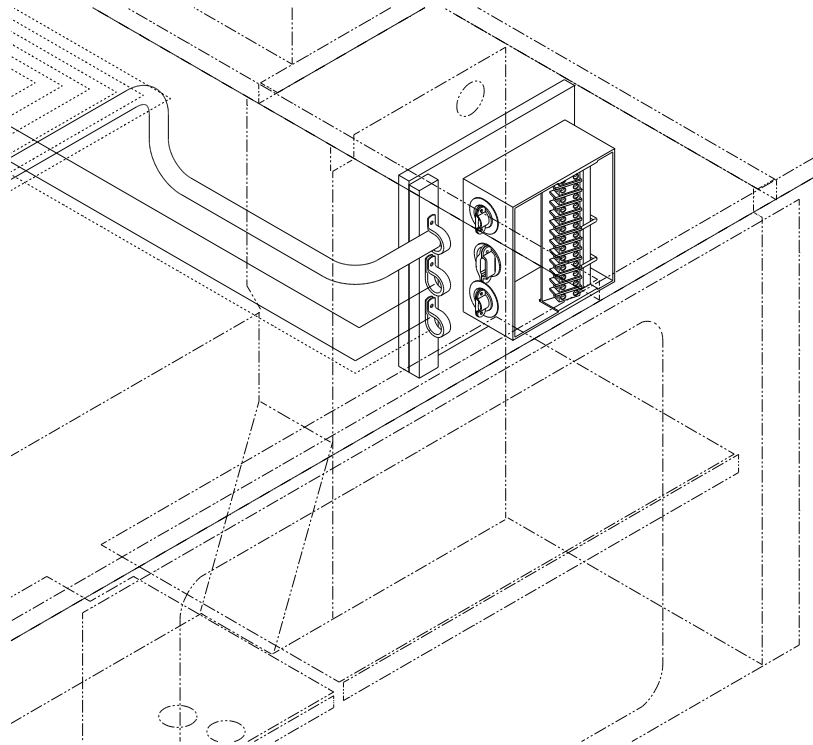
NOTES:

FROM RECP-BDRM LH RR

| | | | |
|--------------------------------|---------|---------|--------|
| FIRST USED | | 02 P36C | |
| DO NOT SCALE DRAWING | | | |
| TITLE: WIRING INSTL-BODY, 110V | | | |
| SHEET 3 | PART NO | | 138770 |



| | | |
|-----------------------------------|---------|---------|
| FIRST USED | | 02 P36C |
| DO NOT SCALE DRAWING | | |
| TITLE: WIRING INSTL-BODY, 110V | | |
| SHEET 4 | PART NO | 138770 |



INVERTER/CHARGER
 113085-07-000
 SCREW
 642-04-166 (7)
 BRACKET
 130034-02-CHT
 SCREW
 639-10-12T

STL-GALVANNEAL
 121489-51-004 (4)
 (150X150)

POSITIVE CABLE
 TO FUSE HOLDER IN
 BATTERY COMPARTMENT

WIRE ASM-GROUND
 136145-01-015

10 AWG CABLE
 FROM LOAD CENTER
 TO INVERTER INPUT

10 AWG CABLE
 FROM INVERTER PANEL
 TO INVERTER OUTPUT

NEGATIVE CABLE
 TO NEGATIVE POST
 ON COACH BATTERY

(79J) INVERTER/CHARGER-1,500 WATT
 (78J) ELECTRICAL SYSTEM 50 AMP
 (670) GEN 7,5KW-ONAN-QUIET-DIESEL
 (265) CODES/STANDARDS CSA/CMVSS
 (181) CODES/STANDARDS USA

(181) (265)

- 3. MOUNT ATS AS HIGH AS POSSIBLE WITHOUT COVERING HOLE FOR ENGINE HEATER CORD.
- 2. ALL 100V STRANDED WIRE W/O TERMINALS TO BE STRIPPED 10MM AND SOLDER DIPPED.
- 1. ALL WIRES TO BE CLAMPED WITHIN 200 OF BOX.

NOTES:

(78J) (670) (79J)

| | | | |
|----------------------------------|---------|---------|--|
| FIRST ORG | | 02 P36C | |
| DO NOT SCALE DRAWING | | | |
| TITLE: WIRING INSTL-BODY,110V | | | |
| SHEET 5 | PART NO | 138770 | |