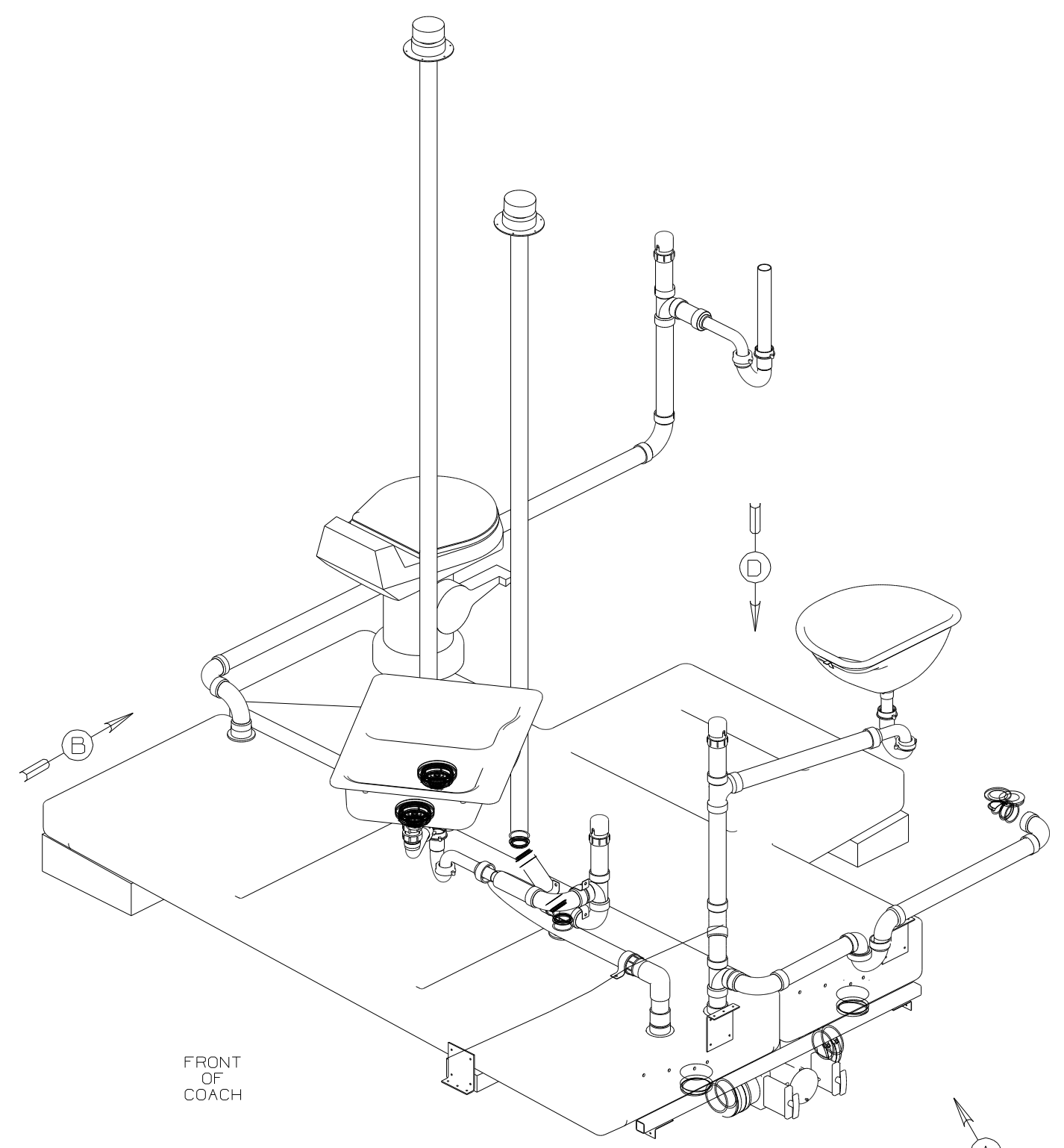


DWG NO	----
139224-01	(WIN)
139224-02	(WDL)
139224-03	(ITA)

RELEASE	REV DATE	DWG NO	139224
REV ZONE	REVISION RECORD	DATE	DTR-016



- (WDL) WINNEBAGO DELUXE UPGRADE
- (ITA) ITASCA ONLY
- (WIN) WINNEBAGO ONLY
- (1B1) CODES/STANDARDS USA
- (265) CODES/STANDARDS-CSA/CMVSS
- (43M) TOILET PORCLAIN-ELONGATED
- (430) TOILET-PORCLAIN
- (43E) SHOWER HEAD-FIXED

- 6 VENT PIPE MUST PROJECT 51 MIN AND 64 MAX ABOVE ROOF FOR PROPER FIT AND FUNCTION.
5. SEAL AROUND SHOWER WITH SILICONE.
 4. ALL EXTERIOR OPENINGS AROUND PIPE TO BE SEALED WITH 110744-01-000.
 3. ALL PIPE AND FITTINGS TO BE ASSEMBLED WITH SOLVENT 4020-01-000.
 2. SLOPE OF TRAP ARM MUST BE 6 PER 305 mm.
 1. SLOPE OF HORIZONTAL PIPING TO BE 6 PER 305 mm.

NOTES:

(X-X)
FOR DRAINAGE CALLOUTS SEE DWG NO 116229-01-000

WINNEBAGO		COPYRIGHT 2002 WINNEBAGO INDUSTRIES, INC.	
DTR	ORIG. DATE	ALL DIMENSIONS ARE IN MILLIMETERS	
CHKR		FIRST USED	
P.E.		02 P34H/HD	
M.E.		UNSPECIFIED TOLERANCES ARE:	
DSNR		WHOLE DIM (X) :	7'
		ONE-PLACE (X.X) :	1.5
		TWO-PLACE (X.XX) :	0.50
		ANGLE :	1°
THIRD ANGLE PROJECTION		MATERIAL:	
DO NOT SCALE DRAWING			
TITLE: DRAINAGE SYSTEM INSTL			
SHEET 1 OF 3	PART NO	139224	
REF:136812 1			

WIN SINK - GALLEY, DOUBLE
136828-01-CHT
ITA WDL 134851-01-CHT
STRAINER
92303-01-000 (2)
RETAINER
ANGLE-FORMED
140002-01-CHT (10)
SCREW
G67-10-18B (8)
WASHER-RUBBER
127440-02-CHT (2)

WIN CONTINUOUS WASTE
91980-01-000
WDL W-2
ITA

CLAMP
8406-01-000 (3)
SCREW
49465-17-000 (16)

PIPE-FLEX
126426-01-000
(1150)
PRIMER
126427-02-000
CEMENT
126427-01-000

SINK
136639-01-CHT
ANGLE
131914-06-CHT (4)
SCREW
G67-08-10U (8)
STRAINER
106116-01-CHT
SEAL
91255-02-000 (A/R)

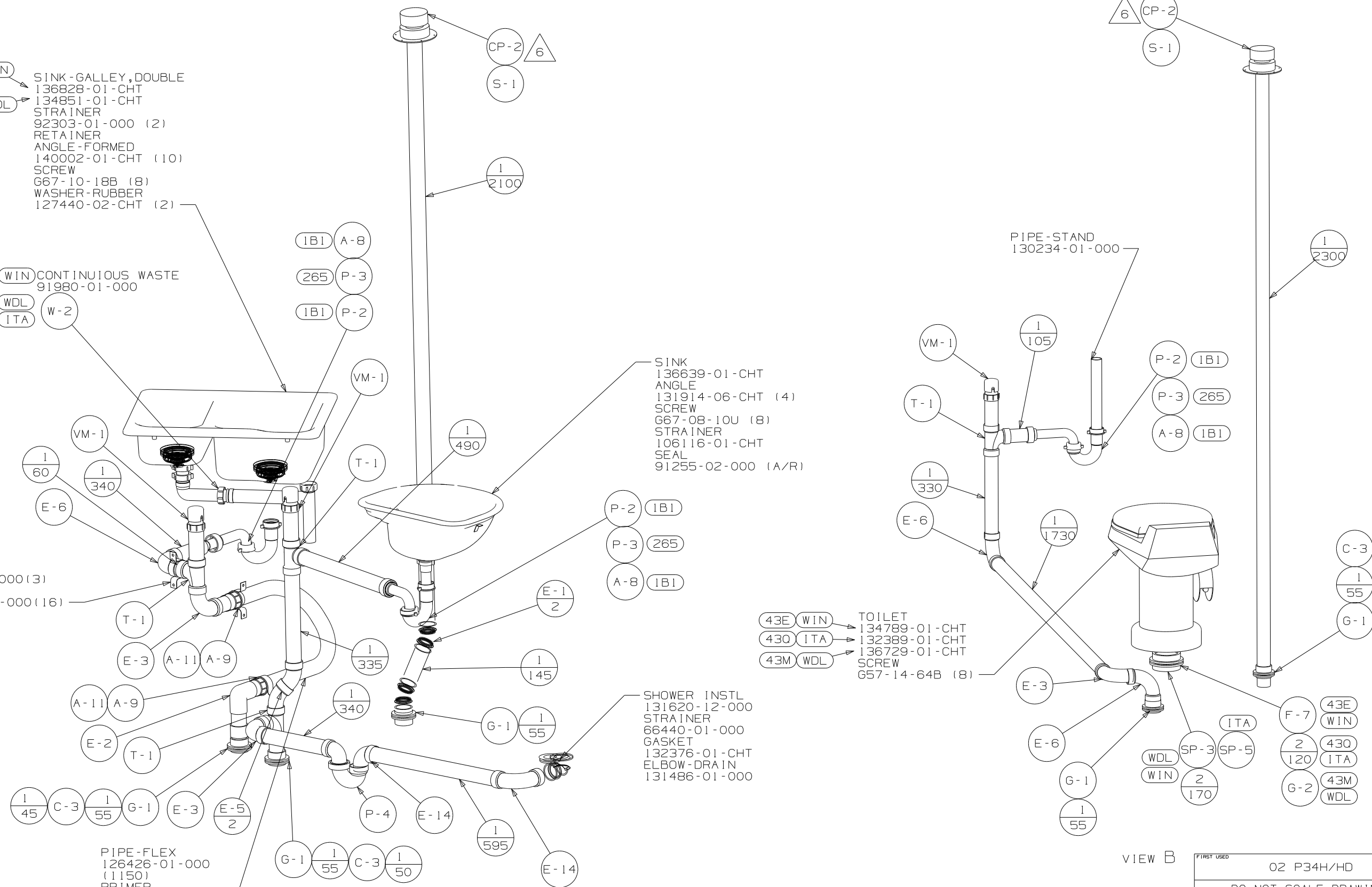
P-2 1B1
P-3 265
A-8 1B1

SHOWER INSTL
131620-12-000
STRAINER
66440-01-000
GASKET
132376-01-CHT
ELBOW-DRAIN
131486-01-000

43E WIN TOILET
134789-01-CHT
43Q ITA 132389-01-CHT
43M WDL 136729-01-CHT
SCREW
G57-14-64B (8)

PIPE-STAND
130234-01-000

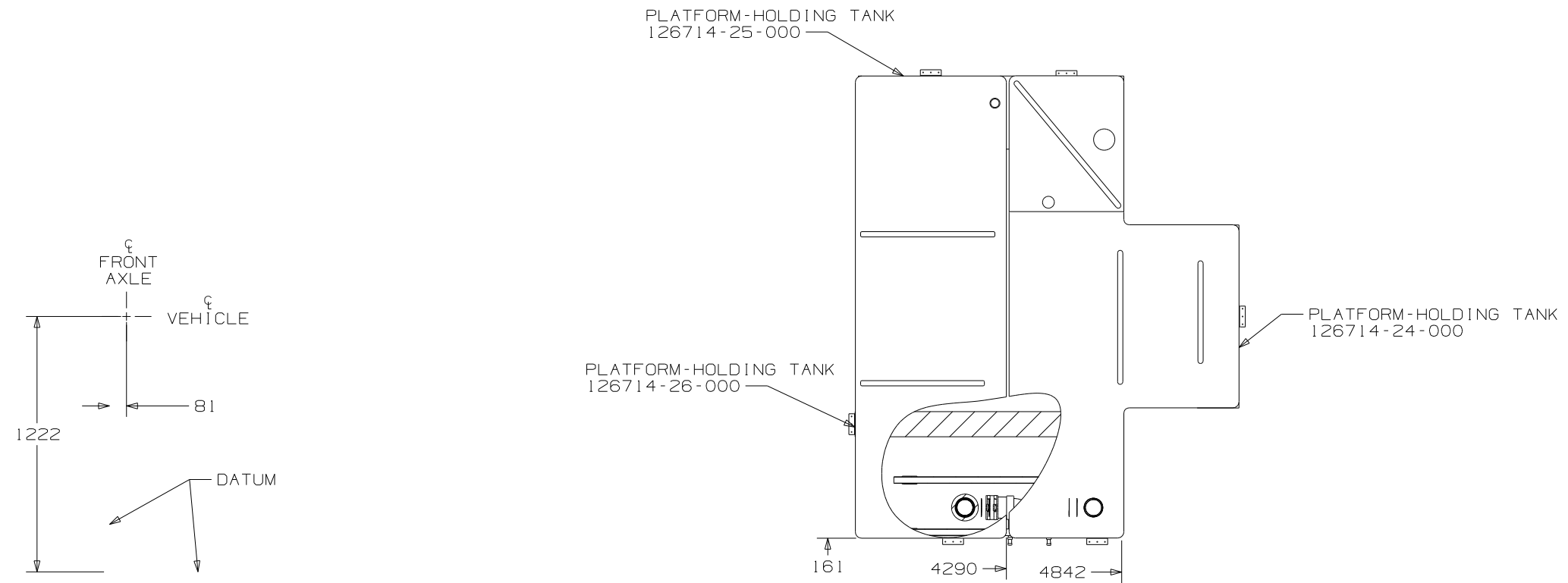
ITA F-7 43E WIN
WDL SP-3 2 43Q ITA
WIN SP-5 2 43M WDL
G-2 170



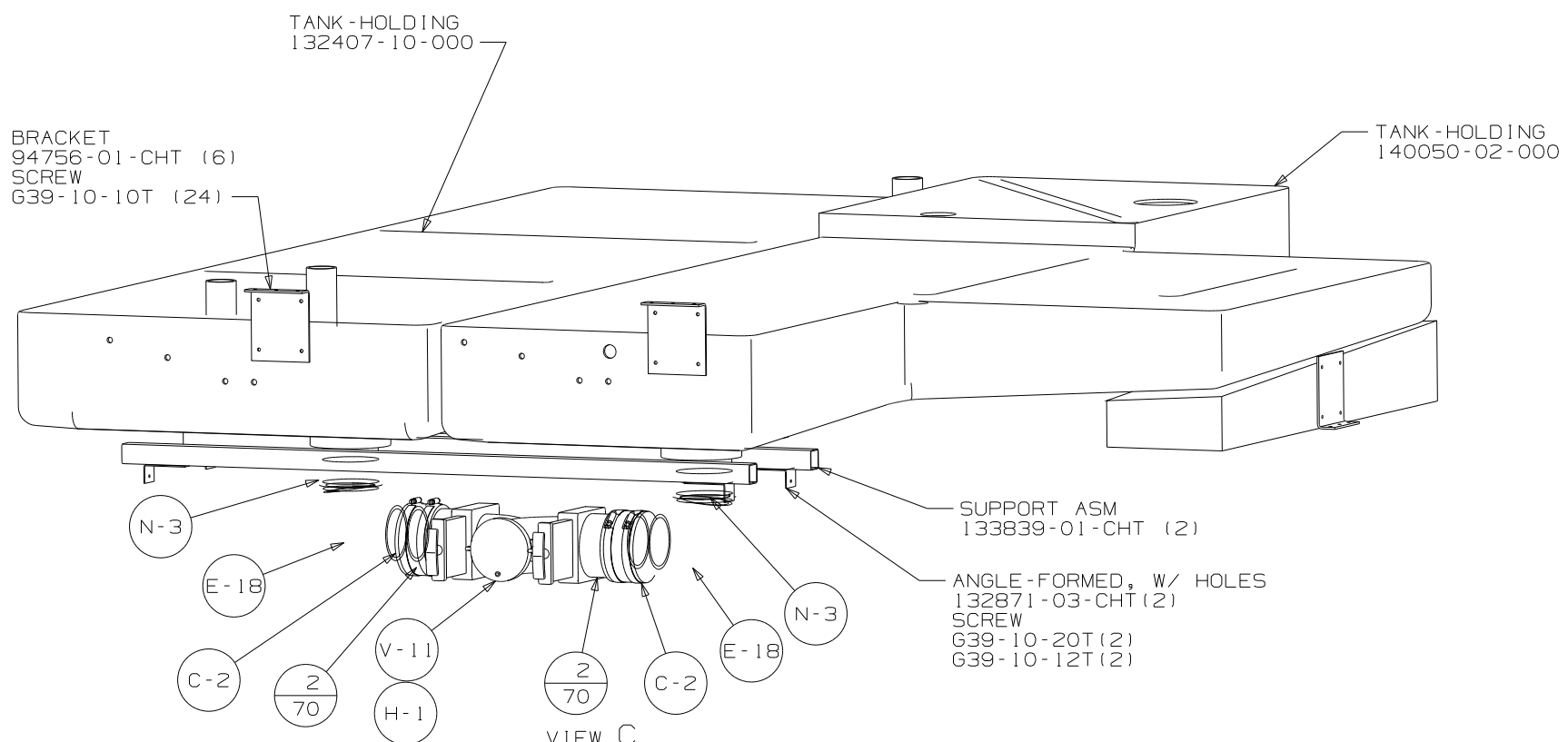
VIEW A

VIEW B

FIRST USED	02 P34H/HD	
TITLE	DO NOT SCALE DRAWING	
	DRAINAGE SYSTEM INSTL	
SHEET 2	PART NO	139224



VIEW D

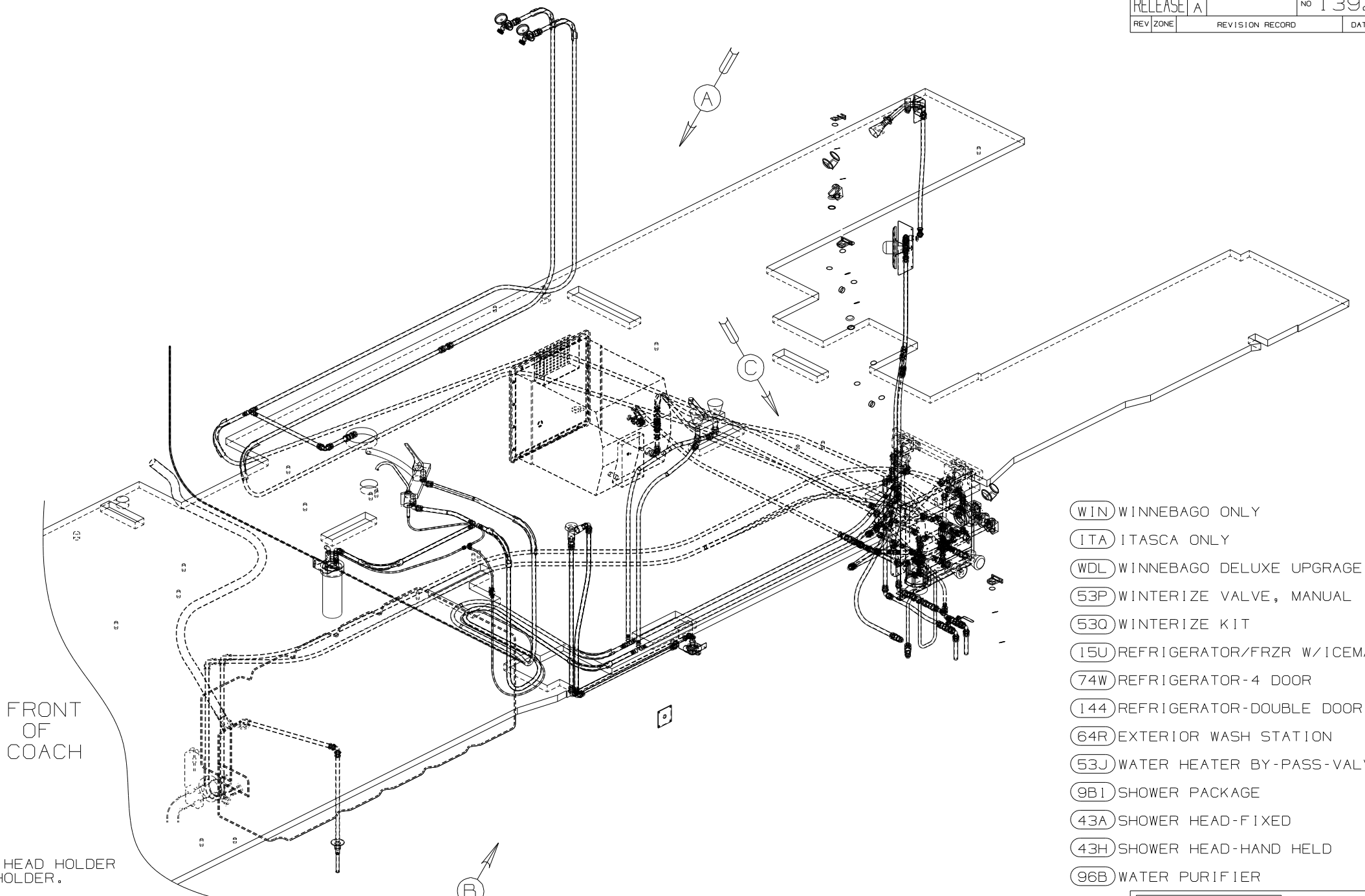


VIEW C

FIRST USED	02 P34H/HD
TITLE	DO NOT SCALE DRAWING
SHEET 3	DRAINAGE SYSTEM INSTL
PART NO	139224

DWG NO	-----
139225-01	(WIN)
139225-02	(WDL) (ITA)

RELEASE	REV DATE	DWG NO	139225
REV ZONE	REVISION RECORD	DATE	DFTR-ORIG



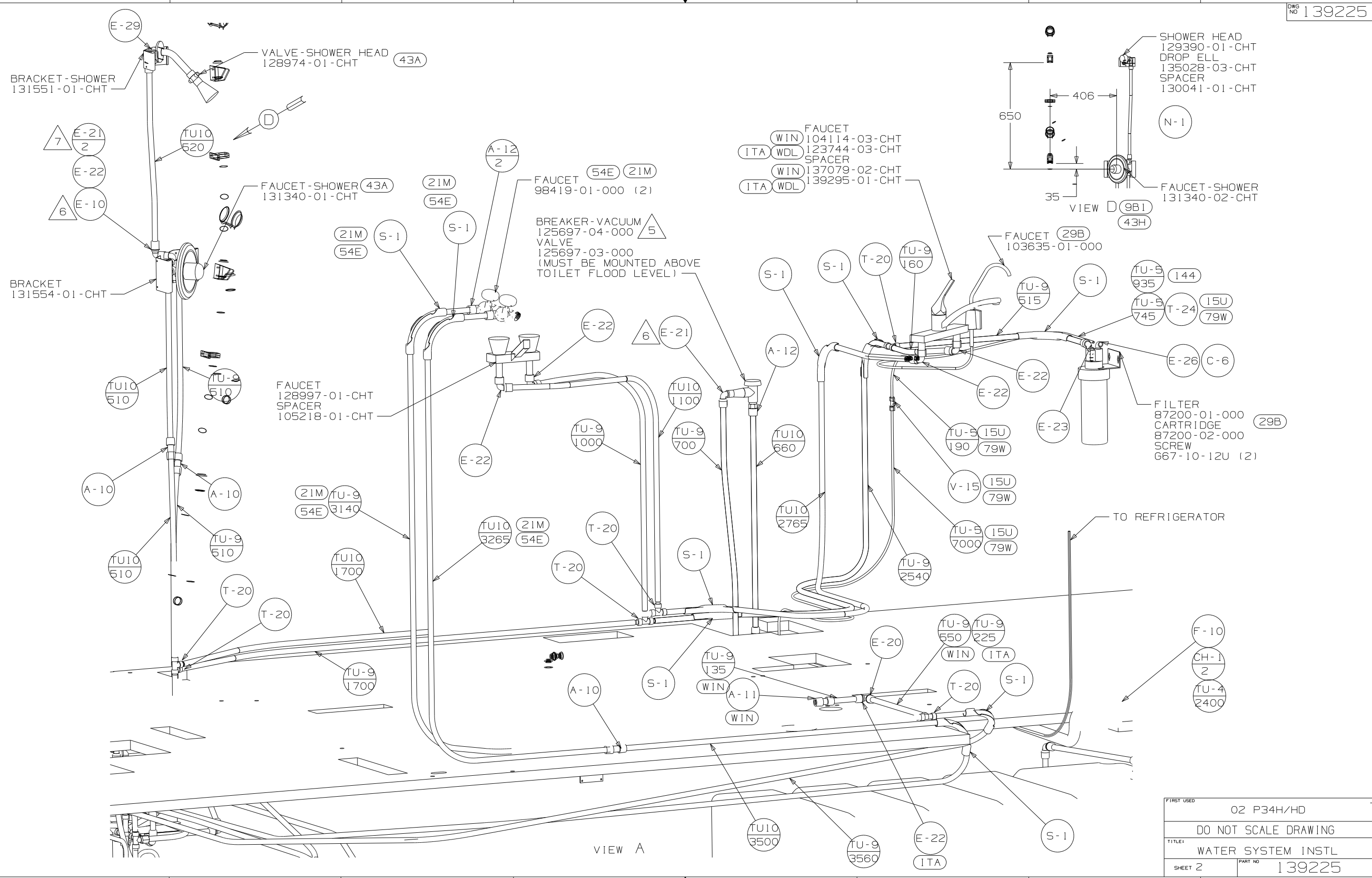
- (WIN) WINNEBAGO ONLY
- (ITA) ITASCA ONLY
- (WDL) WINNEBAGO DELUXE UPGRAGE
- (53P) WINTERIZE VALVE, MANUAL
- (53O) WINTERIZE KIT
- (15U) REFRIGERATOR/FRZR W/ICEMAKER
- (74W) REFRIGERATOR-4 DOOR
- (144) REFRIGERATOR-DOUBLE DOOR
- (64R) EXTERIOR WASH STATION
- (53J) WATER HEATER BY-PASS-VALVE
- (9B1) SHOWER PACKAGE
- (43A) SHOWER HEAD-FIXED
- (43H) SHOWER HEAD-HAND HELD
- (96B) WATER PURIFIER

- 9 APPLY DECAL TO INSIDE OF UPPER SHOWER HEAD HOLDER TO RETAIN HAND SHOWER UNIT INSIDE OF HOLDER.
 - 8 WRAP WITH TEFLON TAPE 10405-01-000 TO FITTING.
 - 7 WRAP WITH TEFLON TAPE 10405-03-000 TO FITTING.
 - 6 WRAP WITH TEFLON TAPE 10405-02-000 TO FITTING.
 - 5 FLUSHING SYSTEM REQUIRES 125697-06-000 INSTRUCTION SHEET.
 - 4 CLAMPS MUST BE ON BARBS.
3. ALL TUBING TO BE SECURED AT 1200 INTERVALS MAXIMUM WITH CLAMP 10495-01-000 OR CLIP 9151-01-000 AND SCREW 667-10-12B.
 2. TUBING TO BE INSTALLED WITH SUFFICIENT SLOPE TO PROVIDE DRAINAGE TO NEAREST VALVE.
 1. PLASTIC FITTINGS TO BE SEALED WITH SEALANT 84456-01-000.

NOTES:

WINNEBAGO		COPYRIGHT 2002 WINNEBAGO INDUSTRIES, INC.	
DFTR	ORIG. DATE	ALL DIMENSIONS ARE IN MILLIMETERS	
CHKR		FIRST USED	
P.E.		02 P34H/HD	
M.E.			
DSNR			
UNSPECIFIED TOLERANCES ARE:		MATERIAL:	
WHOLE DIM (X)	: 7		
ONE-PLACE (X.X)	:		
TWO-PLACE (X.XX)	:		
ANGLE	:		
THIRD ANGLE PROJECTION			
DO NOT SCALE DRAWING			
TITLE: WATER SYSTEM INSTL			
SHEET 1 OF 5		PART NO 139225	

(X-X)
FOR
WATER
CALLOUTS
SEE DWG NO
116230-01-000



BRACKET-SHOWER
131551-01-CHT

VALVE-SHOWER HEAD
128974-01-CHT (43A)

E-21
2

E-22

E-10
6

BRACKET
131554-01-CHT

TU10
510

TU-9
510

A-10

TU10
510

T-20

T-20

TU-9
1700

TU-9
510

8

FAUCET-SHOWER
131340-01-CHT (43A)

TU10
520

FAUCET-SHOWER
131340-01-CHT (43A)

21M
54E

S-1

FAUCET
128997-01-CHT
SPACER
105218-01-CHT

21M TU-9
54E 3140

TU10
1700

TU-9
1700

TU-9
1700

TU-9
1700

7

A-12
2

FAUCET
98419-01-000 (2)
(54E) (21M)

BREAKER-VACUUM
125697-04-000 (5)
VALVE
125697-03-000
(MUST BE MOUNTED ABOVE
TOILET FLOOD LEVEL)

E-22

E-21

TU-9
1000

TU-9
700

TU-9
1100

TU-9
1100

TU-9
1100

TU-9
1100

6

FAUCET
104114-03-CHT
123744-03-CHT
SPACER
137079-02-CHT
139295-01-CHT

(WIN)
(ITA) (WDL)

FAUCET (29B)
103635-01-000

TU-9
160

TU-9
515

TU-9
190

TU-9
79W

TU-9
79W

TU-9
79W

TU-9
79W

TU-9
79W

5

SHOWER HEAD
129390-01-CHT
DROP ELL
135028-03-CHT
SPACER
130041-01-CHT

VIEW D

650

406

35

(9B1)
(43H)

FAUCET-SHOWER
131340-02-CHT

TU-9
144

TU-9
15U

TU-9
15U

TU-9
15U

TU-9
15U

TU-9
15U

TU-9
15U

TU-9
15U

4

SHOWER HEAD
129390-01-CHT
DROP ELL
135028-03-CHT
SPACER
130041-01-CHT

VIEW D

650

406

35

(9B1)
(43H)

FAUCET-SHOWER
131340-02-CHT

TU-9
144

TU-9
15U

TU-9
15U

TU-9
15U

TU-9
15U

TU-9
15U

TU-9
15U

TU-9
15U

3

FILTER
87200-01-000
CARTRIDGE
87200-02-000
SCREW
667-10-12U (2)

(29B)

TO REFRIGERATOR

E-26

C-6

E-23

E-20

3

F-10

CH-1
2

TU-4
2400

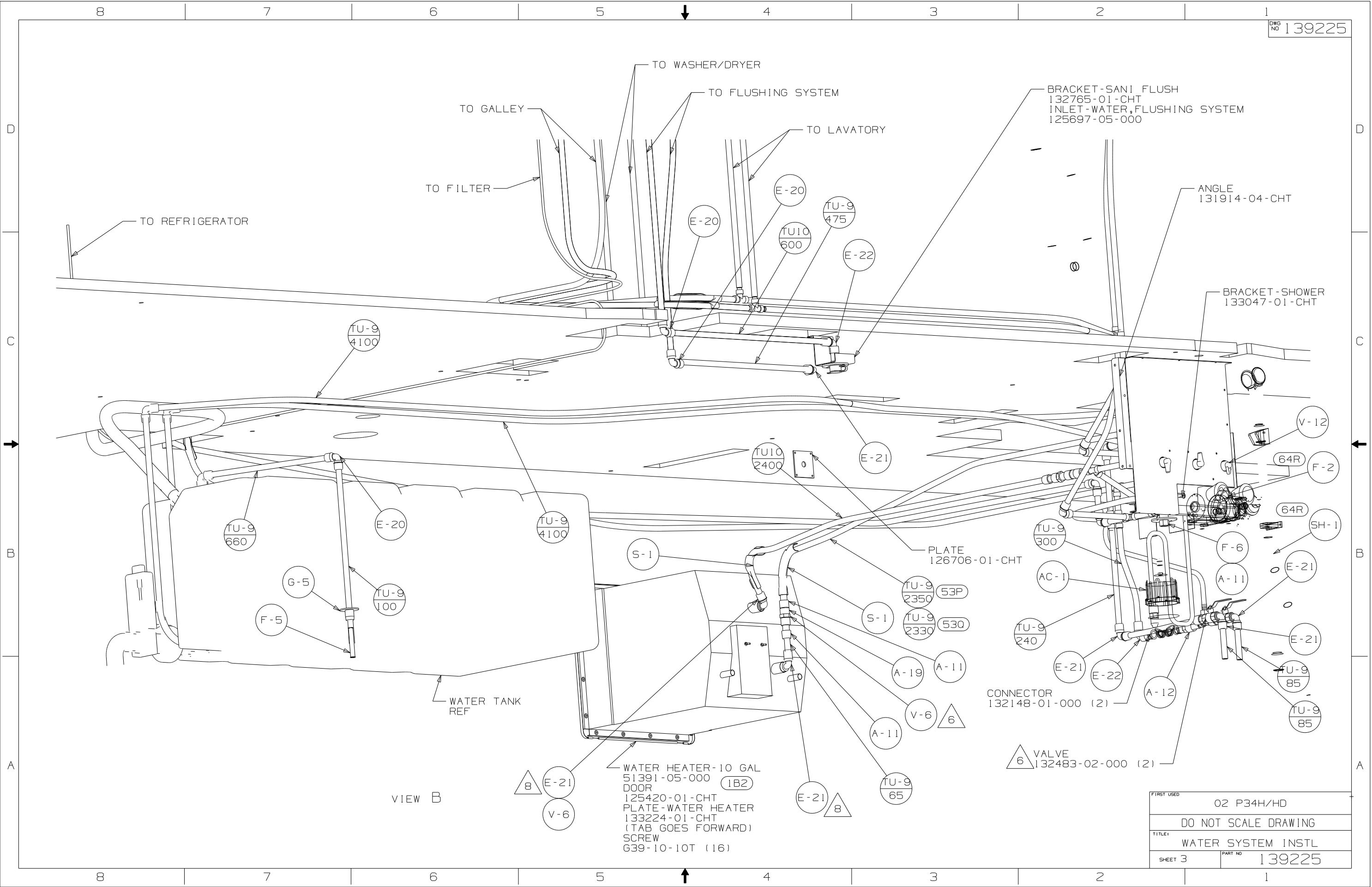
S-1

2

VIEW A

FIRST USED	O2 P34H/HD
TITLE	DO NOT SCALE DRAWING
SHEET 2	PART NO 139225

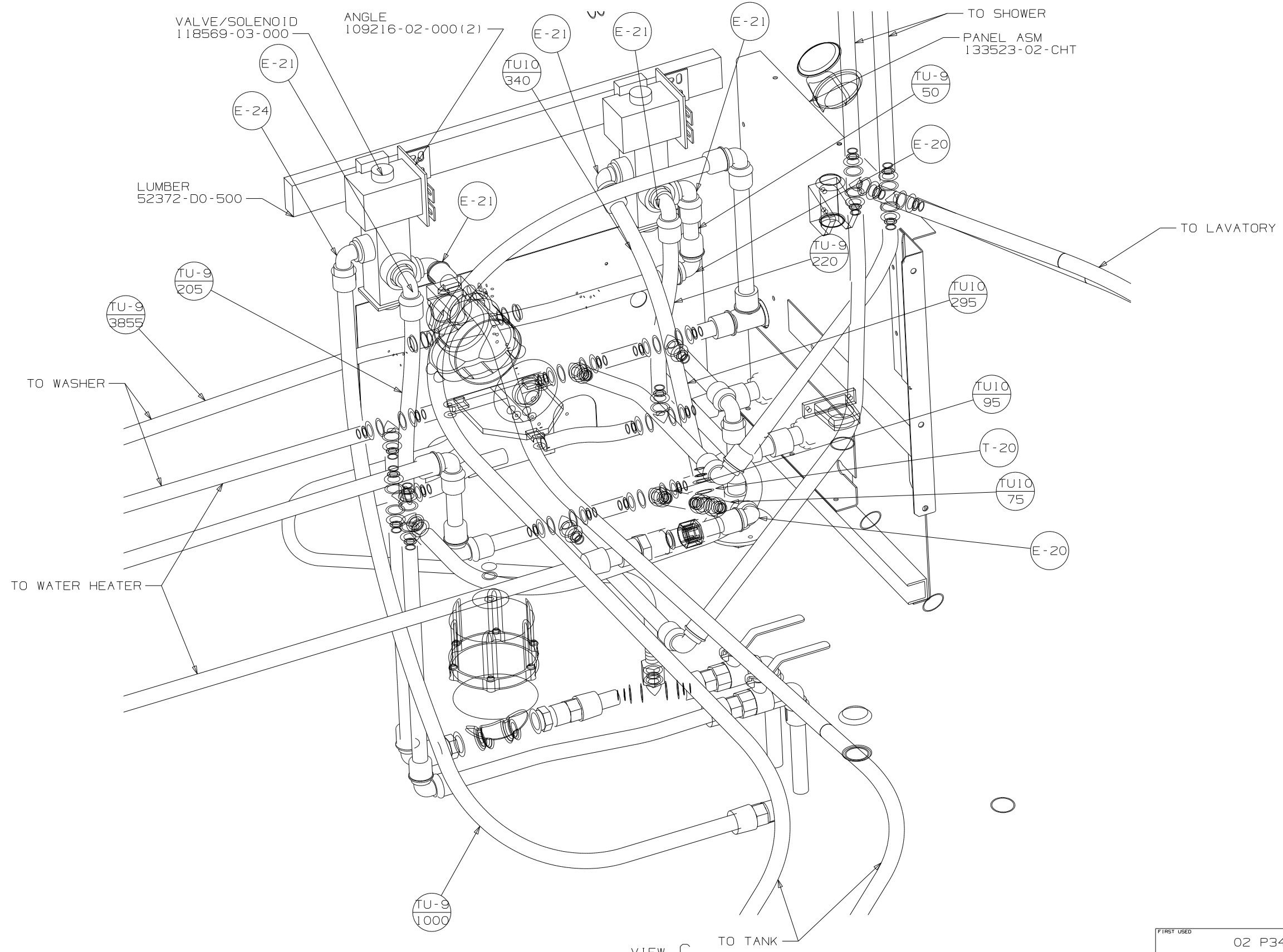
1



VIEW B

- WATER HEATER - 10 GAL
51391-05-000 (1B2)
- DOOR
125420-01-CHT
- PLATE - WATER HEATER
133224-01-CHT
(TAB GOES FORWARD)
- SCREW
639-10-10T (16)

FIRST USED	O2 P34H/HD
DO NOT SCALE DRAWING	
TITLE	WATER SYSTEM INSTL
SHEET 3	PART NO 139225



VIEW C
530

FIRST USED	02 P34H/HD
TITLE	DO NOT SCALE DRAWING
SHEET 5	PART NO 139225