



DANGER

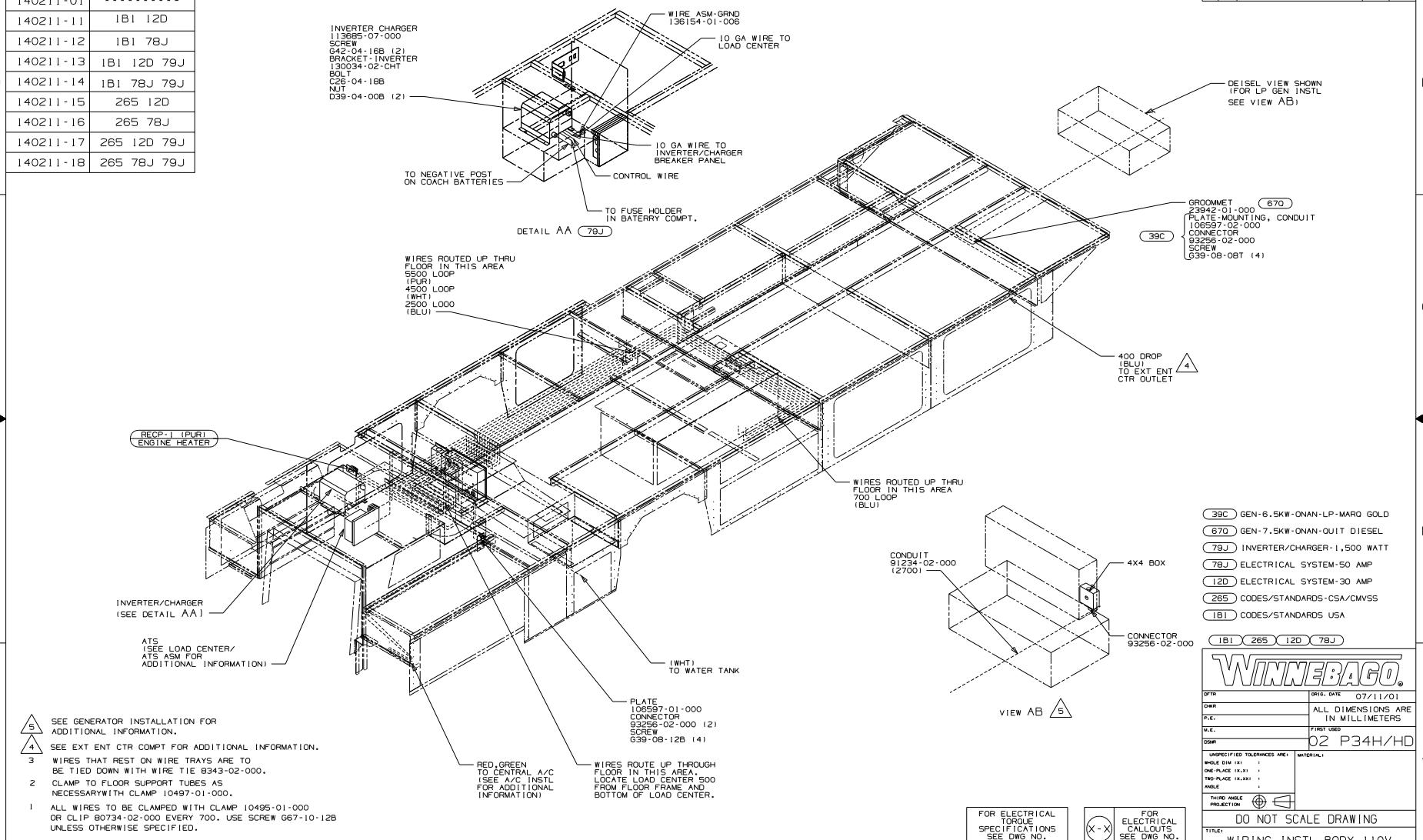
Danger of electrical shock, burns or death. Always remove all power sources before attempting any repair, service or diagnostic work. Power can be present from shore power, generator, inverter or battery. All power sources must be disabled and secured before performing any service.



CAUTION

If you lack the skills, tools or equipment to perform diagnostic or repair work leave such work to an authorized Winnebago Industries dealer or other qualified shop.

DRAWING NO.	FEATURE
140211-01	-----
140211-11	1B1 12D
140211-12	1B1 78J
140211-13	1B1 12D 79J
140211-14	1B1 78J 79J
140211-15	265 12D
140211-16	265 78J
140211-17	265 12D 79J
140211-18	265 78J 79J



- 5 SEE GENERATOR INSTALLATION FOR ADDITIONAL INFORMATION.
- 4 SEE EXT ENT CTR COMPT FOR ADDITIONAL INFORMATION.
- 3 WIRES THAT REST ON WIRE TRAYS ARE TO BE TIED DOWN WITH WIRE TIE 8343-02-000.
- 2 CLAMP TO FLOOR SUPPORT TUBES AS NECESSARY WITH CLAMP 10497-01-000.
- 1 ALL WIRES TO BE CLAMPED WITH CLAMP 10495-01-000 OR CLIP 80734-02-000 EVERY 700. USE SCREW G67-10-12B UNLESS OTHERWISE SPECIFIED.

- 39C GEN-6.5KW-ONAN-LP-MARO GOLD
- 670 GEN-7.5KW-ONAN-QUIT DIESEL
- 79J INVERTER/CHARGER-1,500 WATT
- 78J ELECTRICAL SYSTEM-50 AMP
- 12D ELECTRICAL SYSTEM-30 AMP
- 265 CODES/STANDARDS-CSA/CMVSS
- 1B1 CODES/STANDARDS USA
- 1B1 265 12D 78J

WINNEBAGO

DATE 07/11/01

ALL DIMENSIONS ARE IN MILLIMETERS

FIRST USED

02 P34H/HD

UNSPECIFIED TOLERANCES ARE:

THIRD ANGLE PROJECTION

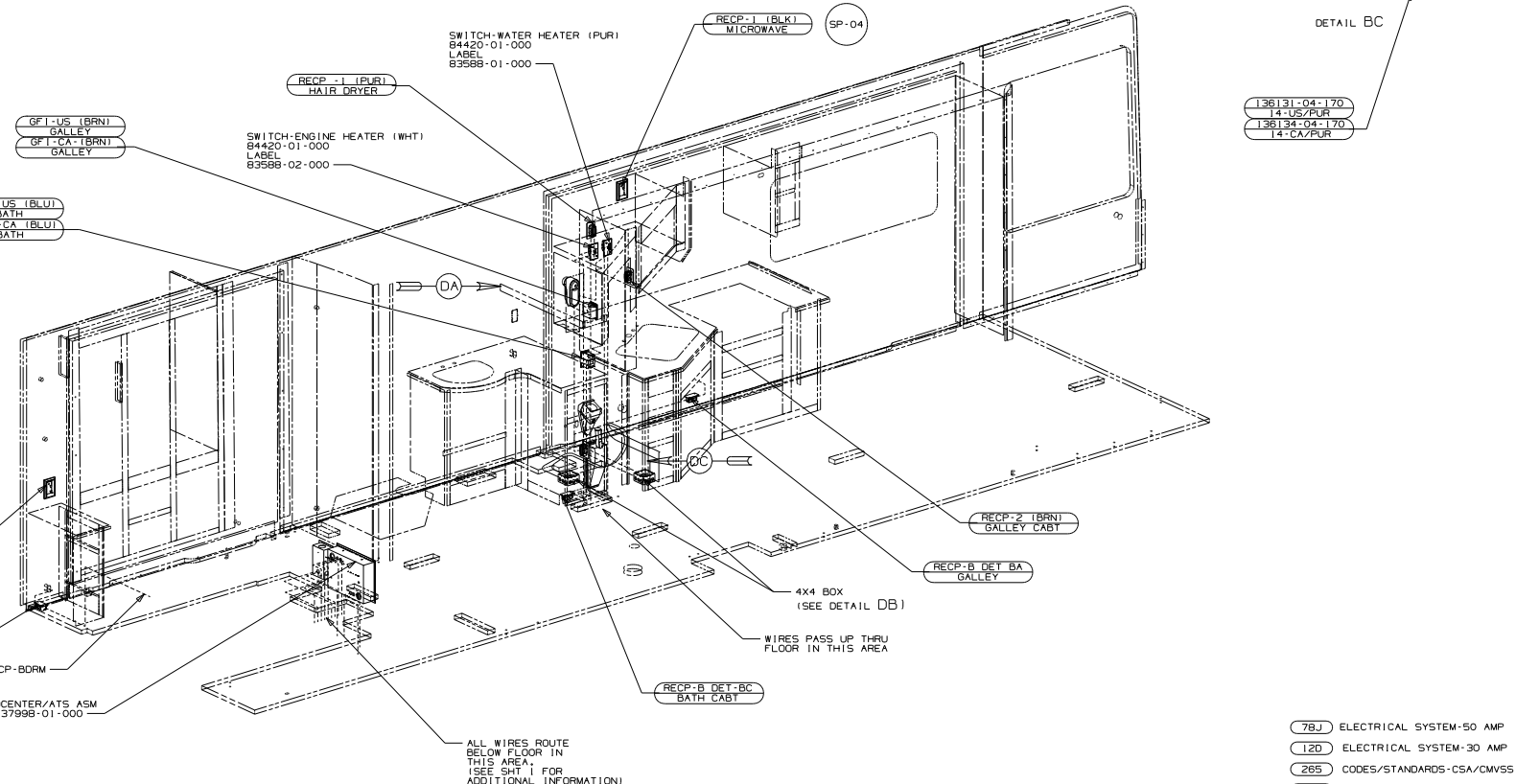
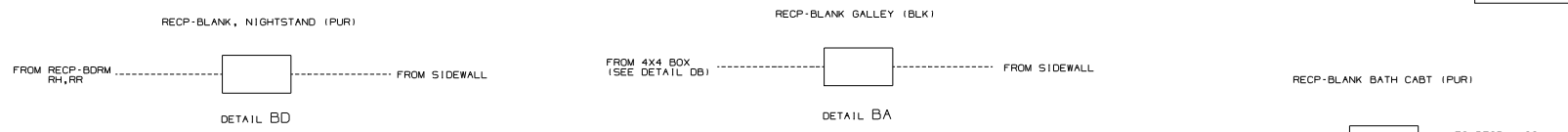
DO NOT SCALE DRAWING

WIRING INSTL-BODY,110V

SHEET 1 of 4 PART NO 140211

FOR ELECTRICAL TORQUE SPECIFICATIONS SEE DWG NO. 128793-01-000

FOR ELECTRICAL CALLOUTS SEE DWG NO. 121339-01-000



2. ALL WIRES ARE TO BE CLAMPED 10497-05-000 WITHIN 200 OF OUTLET BOXES AND SPLICES. USE SCREW 667-10-12B.
1. ALL WIRES ARE TO BE CLAMPED WITH CLAMP 10495-01-000 ARE CLIP 80734-02-000 EVERY 700. USE SCREW 667-10-12B UNLESS OTHERWISE SPECIFIED.

NOTES:

- (78J) ELECTRICAL SYSTEM-50 AMP
- (12D) ELECTRICAL SYSTEM-30 AMP
- (265) CODES/STANDARDS-CSA/CMVSS
- (1B1) CODES/STANDARDS USA

02 P34H/HD

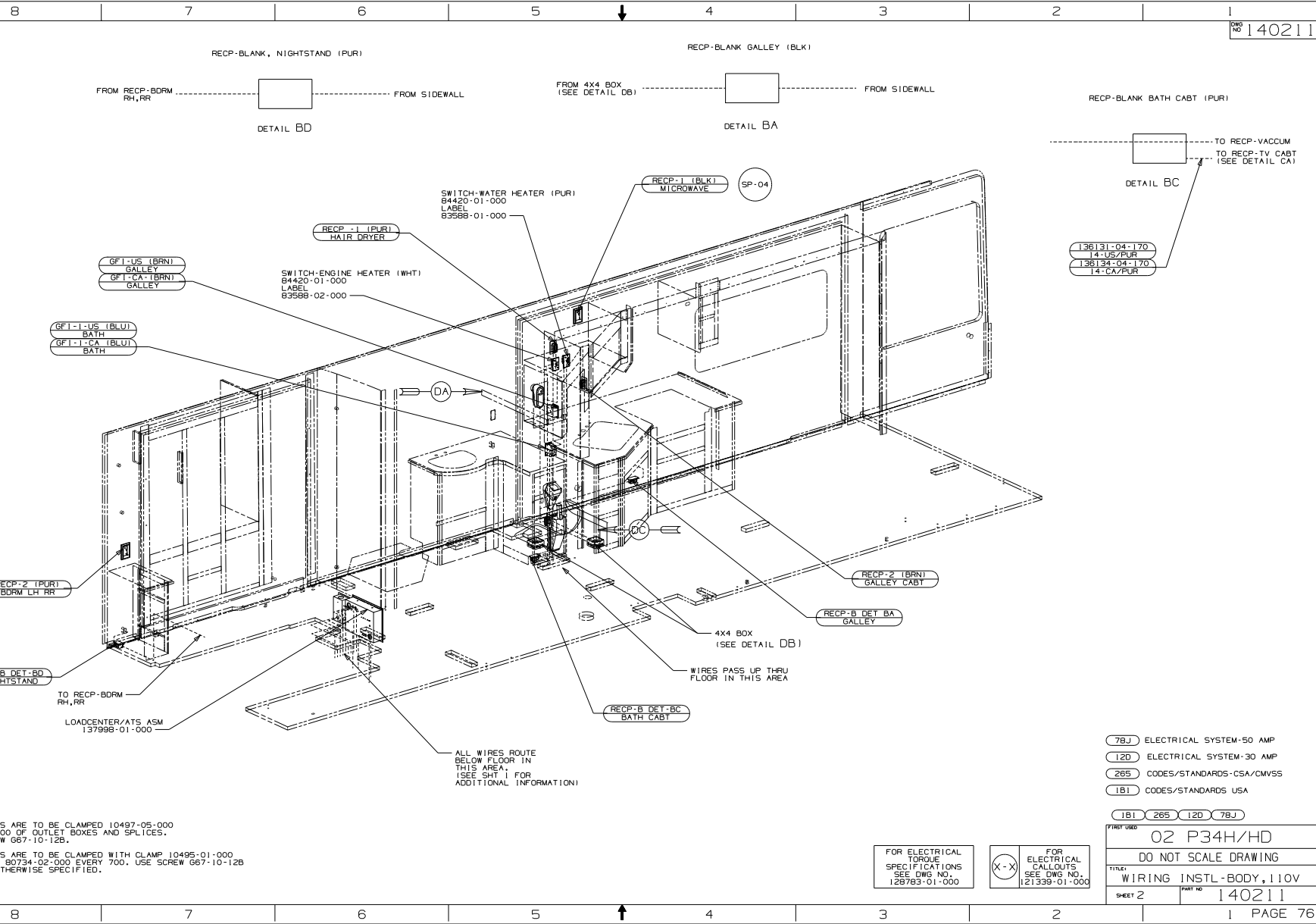
DO NOT SCALE DRAWING

WIRING INSTL-BODY,110V

SHEET 2 PART NO 140211

FOR ELECTRICAL TORQUE SPECIFICATIONS SEE DWG NO: 128793-01-000

FOR ELECTRICAL CALLOUTS SEE DWG NO: 121339-01-000



D

C

B

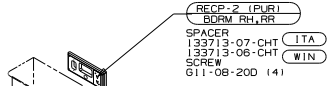
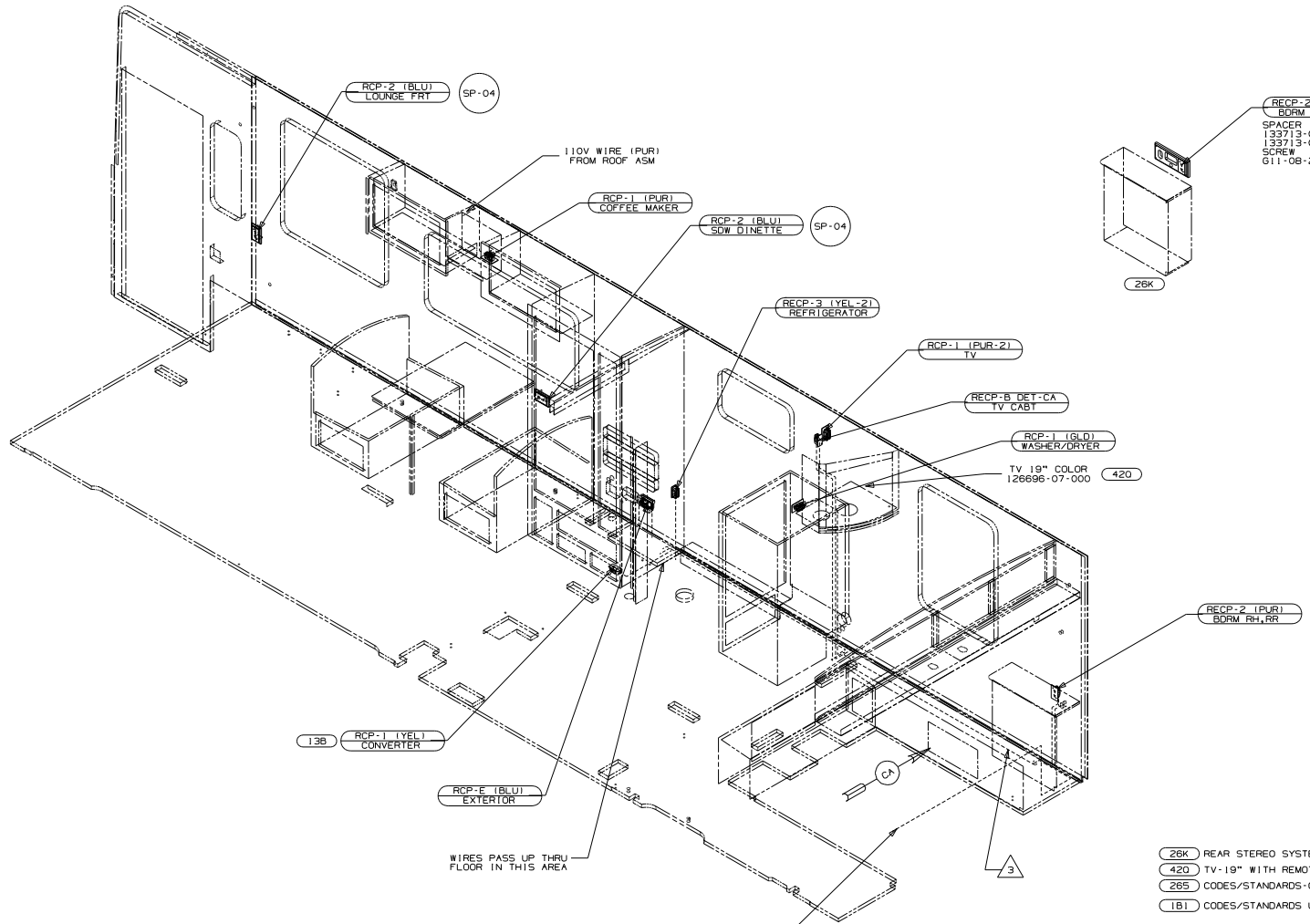
A

D

C

B

A



26K

420

- (26K) REAR STEREO SYSTEM WITHOUT
- (420) TV-19" WITH REMOTE
- (265) CODES/STANDARDS-CSA/CMVSS
- (IB1) CODES/STANDARDS USA

(IB1) (265) (120) (79J)

3. ROUTE WIRES IN THE FLOOR DURING INSTALLATION

2. ALL WIRES ARE TO BE CLAMPED 10497-05-000 WITHIN 200 OF OUTLET BOXES AND SPLICES. USE SCREW 667-10-12B.

1. ALL WIRES ARE TO BE CLAMPED WITH CLAMP 10495-01-000 ARE CLIP 80734-02-000 EVERY 700. USE SCREW 667-10-12B UNLESS OTHERWISE SPECIFIED.

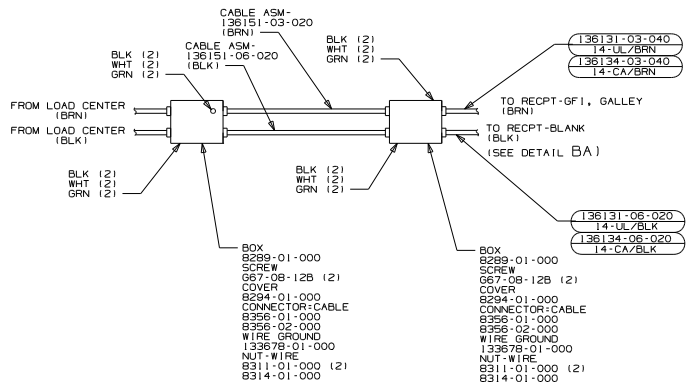
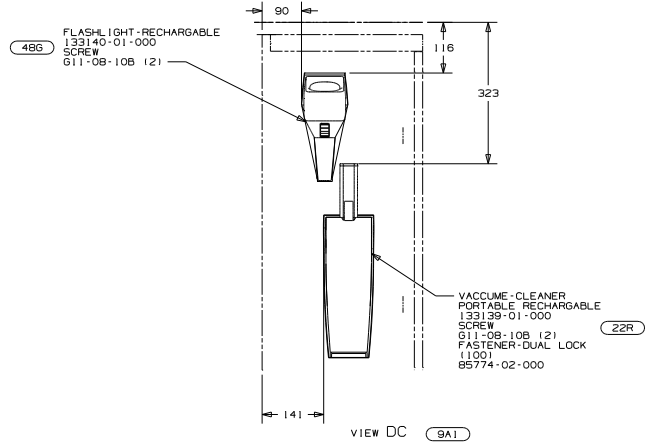
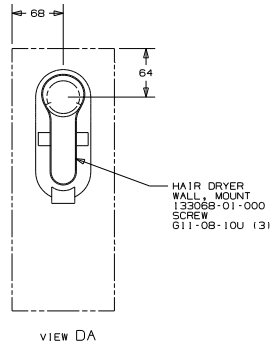
NOTES:

TO RECP1-BLANK (SEE DETAIL 80)

FOR ELECTRICAL TORQUE SPECIFICATIONS SEE DWG NO. 128793-01-000

FOR ELECTRICAL CALLOUTS SEE DWG NO. 121339-01-000

FIRST USED	02 P34H/HD	
TITLE:	DO NOT SCALE DRAWING	
WIRING	INSTL-BODY,110V	
SHEET 3	PART NO	140211



DETAIL DB

- (48G) FLASHLIGHT
- (22R) VACUUM CLEANER-PORTABLE
- (9A1) ACCESSORY PACKAGE
- (265) CODES/STANDARDS CSA/CMVSS
- (1B1) CODES/STANDARDS USA

FIRST USED	
02 P34H/HD	
DO NOT SCALE DRAWING	
TITLE:	
WIRING INSTL-BODY, 110V	
SHEET 4	PART NO 140211

FOR ELECTRICAL
TORQUE
SPECIFICATIONS
SEE DWG NO.
128793-01-000

(X-X)
FOR
ELECTRICAL
CALLOUTS
SEE DWG NO.
121339-01-000

NOTES: