



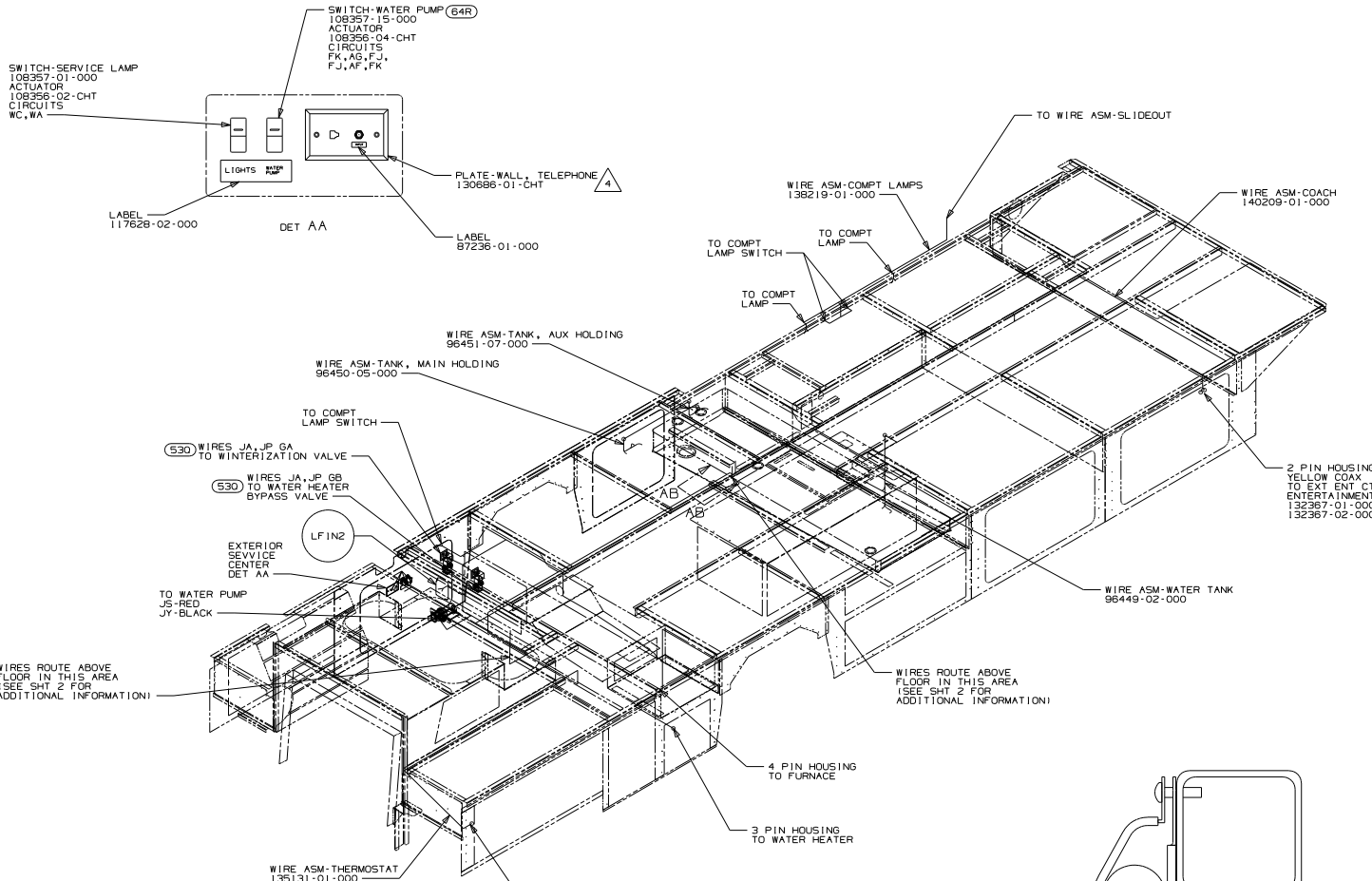
**DANGER**

**Danger of electrical shock, burns or death.** Always remove all power sources before attempting any repair, service or diagnostic work. Power can be present from shore power, generator, inverter or battery. All power sources must be disabled and secured before performing any service.

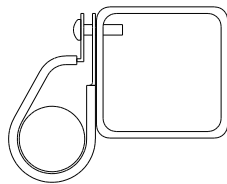


**CAUTION**

If you lack the skills, tools or equipment to perform diagnostic or repair work leave such work to an authorized Winnebago Industries dealer or other qualified shop.



- (64R) EXTERIOR WASH STATION
- (530) WINTERIZING KIT
- (1D5) ENTERTAINMENT CTR/EXT W/CD
- (76C) ENTERTAINMENT CTR/EXT CASSETTE
- (1B1) CODES/STANDARDS USA
- (265) CODES /STANDARDS-CSA/CMVSS



FOR ELECTRICAL TORQUE SPECIFICATIONS SEE DWS NO. 128793-01-000

(X-X) FOR ELECTRICAL CALLOUTS SEE DWS NO. 121339-01-000

(1B1) (265)

**WINNEBAGO**

DTR: \_\_\_\_\_ ORG. DATE: 07/12/01  
 DWR: \_\_\_\_\_ ALL DIMENSIONS ARE IN MILLIMETERS  
 P.E.: \_\_\_\_\_  
 W.E.: \_\_\_\_\_ FIRST USED: \_\_\_\_\_  
 DWS: \_\_\_\_\_ 02 P34H/HD

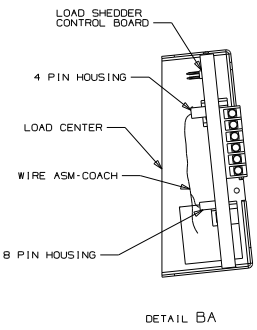
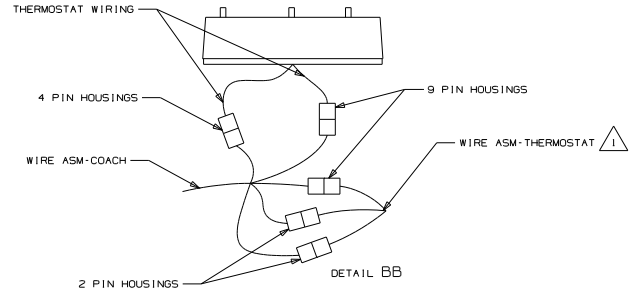
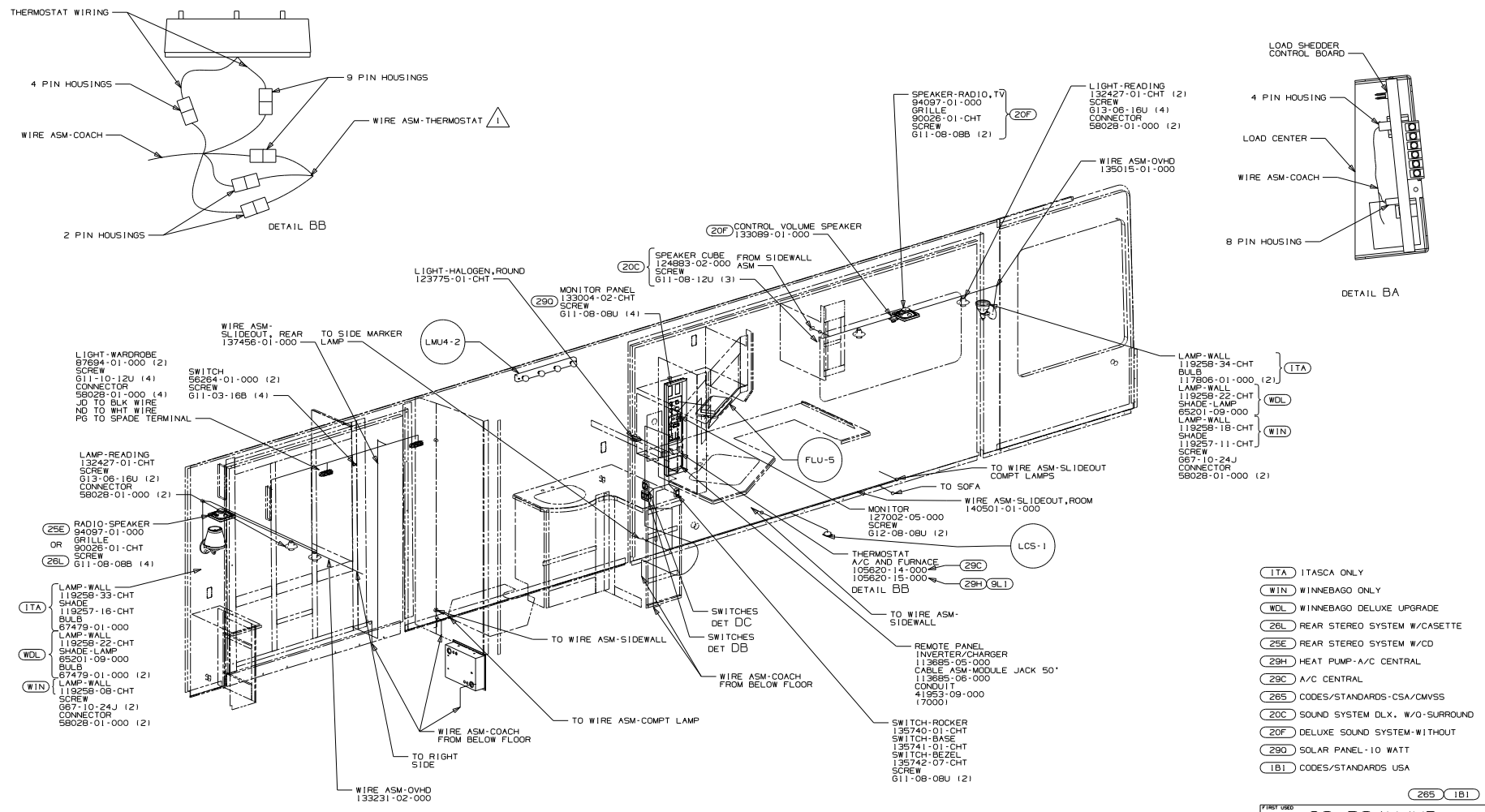
UNSPECIFIED TOLERANCES ARE: MATERIAL:  
 HOLE DIA. (X.X) ± .01  
 ONE-PLACE (X.XX) ± .005  
 TWO-PLACE (X.XXX) ± .002  
 HOLE ± .005  
 THIRD ANGLE PROJECTION

**DO NOT SCALE DRAWING**

TITLE: WIRING INSTL.-BODY, 12V  
 SHEET 1 of 6 PART NO 140210

4. CONNECT TELEPHONE WIRES TO MATCH COLORS ON PLATE-TELEPHONE.
3. WIRES THAT REST ON WIRE TRAYS ARE TO BE TIED DOWN WITH WIRE TIE B343-02-000.
  2. CLAMP TO FLOOR SUPPORT TUBES AS NECESSARY WITH CLAMP 10497-01-000.
  1. ALL WIRE TO BE CLAMPED WITH CLAMP 10495-01-000 OR CLIP 80734-02-000 EVERY 700. USE SCREW G67-10-12B UNLESS OTHERWISE SPECIFIED.

NOTES:



- LIGHT-WARDROBE  
87694-01-000 (2)  
SCREW  
G11-10-12U (4)  
CONNECTOR  
5802B-01-000 (4)  
JO TO BULK WIRE  
ND TO WHT WIRE  
PG TO SPADE TERMINAL

- SWITCH  
56264-01-000 (2)  
SCREW  
G11-03-16B (4)

- LAMP-READING  
132427-01-CHT  
SCREW  
G13-06-16U (2)  
CONNECTOR  
5802B-01-000 (2)

- (29E) RADIO-SPEAKER  
94097-01-000  
OR  
GRILLE  
90026-01-CHT  
SCREW  
G11-08-08B (4)

- (ITA) LAMP-WALL  
11925B-33-CHT  
SHADE  
119257-16-CHT  
BULB  
87479-01-000

- (WDL) LAMP-WALL  
11925B-22-CHT  
SHADE-LAMP  
65201-09-000

- (WIN) LAMP-WALL  
11925B-18-CHT  
SHADE  
119257-11-CHT  
SCREW  
G67-10-24J (2)  
CONNECTOR  
5802B-01-000 (2)

NOTES: 1 WITHOUT (29C) PLUG THE TWO, TWO PIN HOUSINGS TOGETHER ON WIRE ASM-COACH.

- (ITA) LAMP-WALL  
11925B-34-CHT  
BULB  
117806-01-000 (2)
- (WDL) LAMP-WALL  
11925B-22-CHT  
SHADE-LAMP  
65201-09-000
- (WIN) LAMP-WALL  
11925B-18-CHT  
SHADE  
119257-11-CHT  
SCREW  
G67-10-24J  
CONNECTOR  
5802B-01-000 (2)

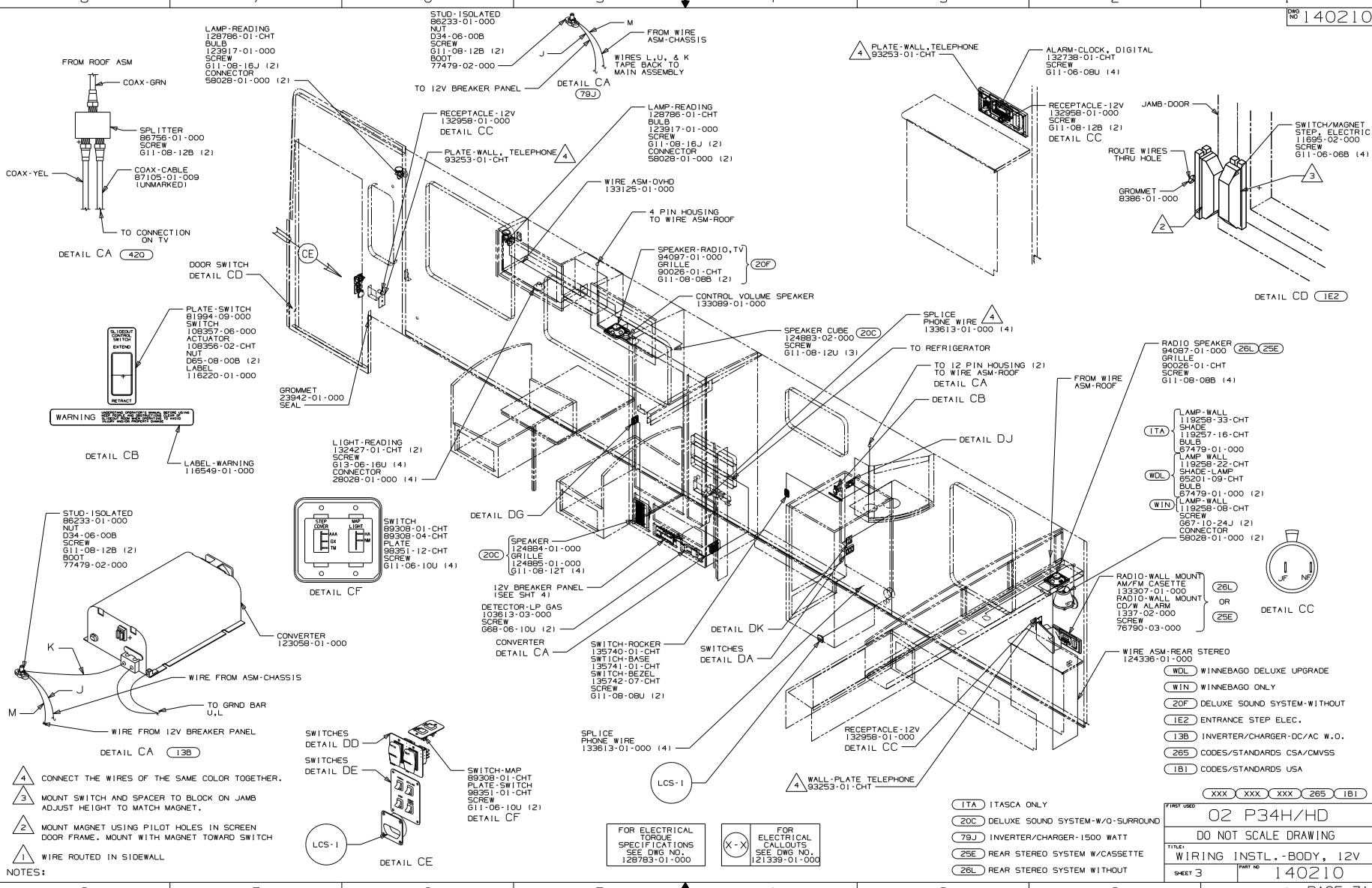
- (ITA) ITASCA ONLY
- (WIN) WINNEBAGO ONLY
- (WDL) WINNEBAGO DELUXE UPGRADE
- (26L) REAR STEREO SYSTEM W/CASSETTE
- (25E) REAR STEREO SYSTEM W/CD
- (29H) HEAT PUMP-A/C CENTRAL
- (29C) A/C CENTRAL
- (265) CODES/STANDARDS-CSA/CMVSS
- (20C) SOUND SYSTEM DLX. W/O-SURROUND
- (20F) DELUXE SOUND SYSTEM-WITHOUT
- (290) SOLAR PANEL-10 WATT
- (1B1) CODES/STANDARDS USA

(265 1B1)

FOR ELECTRICAL TORQUE SPECIFICATIONS SEE DWG NO. 128793-01-000

FOR ELECTRICAL CALLOUTS SEE DWG NO. 121339-01-000

FIRST USED  
**02 P34H/HD**  
DO NOT SCALE DRAWING  
TITLE: **WIRING INSTL.-BODY, 12V**  
SHEET 2 PART NO. **140210**



- NOTES:
- 1 WIRE ROUTED IN SIDEWALL
  - 2 MOUNT MAGNET USING PILOT HOLES IN SCREEN DOOR FRAME. MOUNT WITH MAGNET TOWARD SWITCH
  - 3 MOUNT SWITCH AND SPACER TO BLOCK ON JAMB ADJUST HEIGHT TO MATCH MAGNET.
  - 4 CONNECT THE WIRES OF THE SAME COLOR TOGETHER.

FOR ELECTRICAL TORQUE SPECIFICATIONS SEE DWG NO. 128783-01-000

(X-X) FOR ELECTRICAL CALLOUTS SEE DWG NO. 121339-01-000

- (ITA) ITASCA ONLY
- (20C) DELUXE SOUND SYSTEM-W/O-SURROUND
- (79J) INVERTER/CHARGER-1500 WATT
- (25E) REAR STEREO SYSTEM W/CASSETTE
- (26L) REAR STEREO SYSTEM WITHOUT

XXX XXX XXX 265 1B1

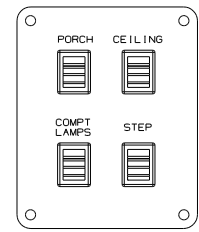
FIRST DSD 02 P34H/HD

DO NOT SCALE DRAWING

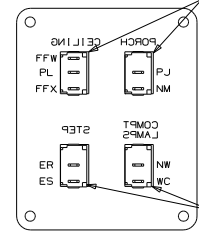
TITLE: WIRING INSTL.-BODY, 12V

SHEET 3 PART NO 140210

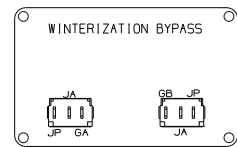
1 PAGE 71



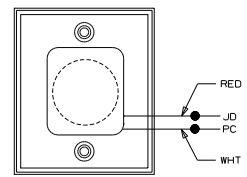
DETAIL DE (FRONT SIDE)



DETAIL DE (BACK SIDE)



DETAIL DJ (530)



DETAIL DK (WDL, ITA)

- (WDL) WINNEBAGO DELUXE UPGRADE
- (ITA) ITASCA ONLY
- (WIN) WINNEBAGO ONLY
- (52N) AWNING-PATIO, ELECTRIC
- (63N) AWNING-ENTRANCE DR., ELECTRIC
- (9C1) AWNING-ELECTRIC PACKAGE
- (530) WINTERIZATION KIT

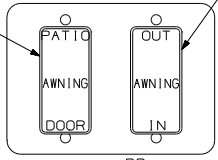
|                      |                         |
|----------------------|-------------------------|
| FIRST USED           |                         |
| 02 P34H/HD           |                         |
| DO NOT SCALE DRAWING |                         |
| TITLE:               | WIRING INSTL.-BODY, 12V |
| SHEET 4              | PART NO 140210          |

FOR ELECTRICAL TORQUE SPECIFICATIONS SEE DWG NO. 128793-01-000

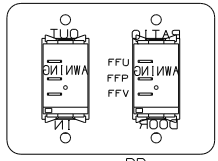
FOR ELECTRICAL CALLOUTS SEE DWG NO. 121339-01-000

SWITCH-AWNING CONTROL  
109357-06-000  
ACTUATOR  
109356-13-CHT  
CIRCUITS  
FFK,FFU,FFM,  
FFN,FFV,FFR

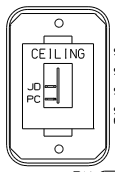
SWITCH-AWNING SELECTOR  
109357-08-000  
ACTUATOR  
109356-13-CHT  
CIRCUITS  
FFU,FFP,FFV



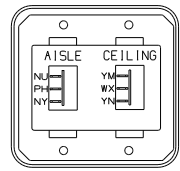
DETAIL DD (FRONT SIDE) (9C1)



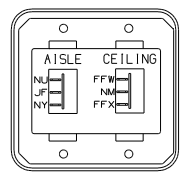
DETAIL DD (BACK SIDE) (9C1)



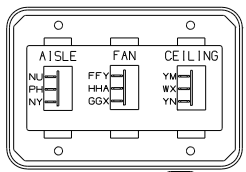
DETAIL DK (WIN)



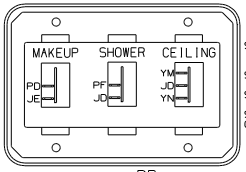
DETAIL DA



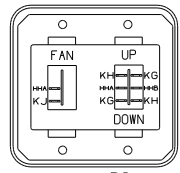
DETAIL DG



DETAIL DA (WIN)



DETAIL DB



DETAIL DC

SWITCH-ROCKER  
135740-02-CHT  
135740-04-CHT  
SWITCH-BASE  
135741-03-CHT  
SWITCH-BEZEL  
135742-23-CHT  
SCREW  
G11-08-0BU (4)  
WIRE ASM-RESISTOR,FAN  
140195-01-000

SWITCH-ROCKER (2)  
135740-01-CHT  
135740-02-CHT  
SWITCH-BASE  
135741-03-CHT  
SWITCH-BEZEL  
135742-28-CHT  
SCREW  
G11-08-0BU (4)

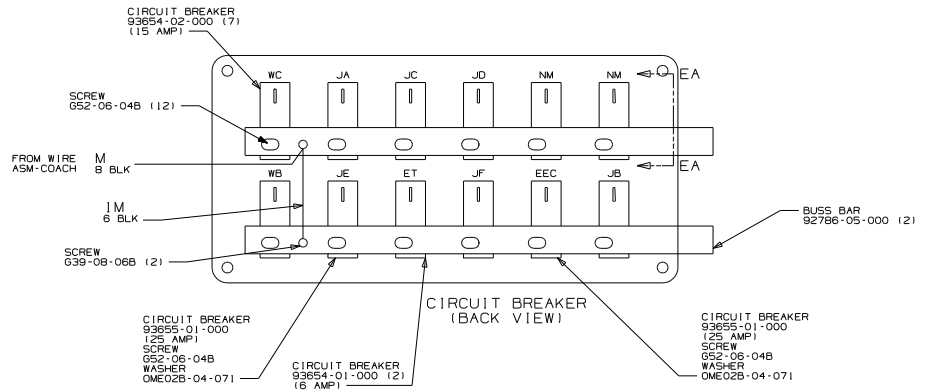
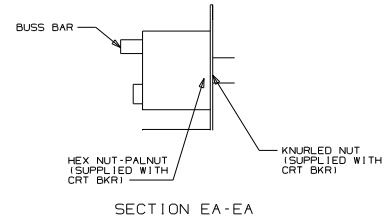
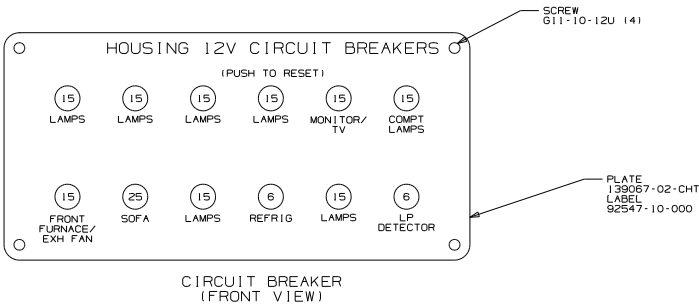
SWITCH-ROCKER  
135740-01-CHT  
135740-03-CHT  
SWITCH-BASE  
135741-02-CHT  
SWITCH-BEZEL  
135742-17-CHT  
SCREW  
G11-08-0BU (4)

SWITCH-ROCKER  
135740-01-CHT  
SWITCH-BASE  
135741-01-CHT  
SWITCH-BEZEL  
135742-07-CHT  
SCREW  
G11-08-0BU (2)

SWITCH-ROCKER  
135740-02-CHT  
SWITCH-BASE  
135741-02-CHT  
SWITCH-BEZEL  
135742-13-CHT  
SCREW  
G11-08-0BU (4)

SWITCH-ROCKER (2)  
135740-02-CHT  
SWITCH-BASE  
135741-02-CHT  
SWITCH-BEZEL  
135742-13-CHT  
SCREW  
G11-08-0BU (4)

CONNECT WIRE ASM RESISTOR TO 2-PIN HOUSING LOCATED BY SWITCH WIRES.



(265) CODES/STANDARDS CSA/CVSS

(1B1) CODES/STANDARDS USA

(1B1) (265)

NOTES:

1. CONNECT BLUE WIRES FROM RESET TO THE BLUE WIRES WITH SPADE TERMINALS ON A/C CORD WITH (29H) & (9L1).

FOR ELECTRICAL TORQUE SPECIFICATIONS SEE DWG NO. 128793-01-000

FOR ELECTRICAL CALLOUTS SEE DWG NO. 121339-01-000

|            |                         |        |
|------------|-------------------------|--------|
| FIRST USED | 02 P34H/HD              |        |
| TITLE:     | DO NOT SCALE DRAWING    |        |
|            | WIRING INSTL.-BODY, 12V |        |
| SHEET 5    | PART NO                 | 140210 |

