



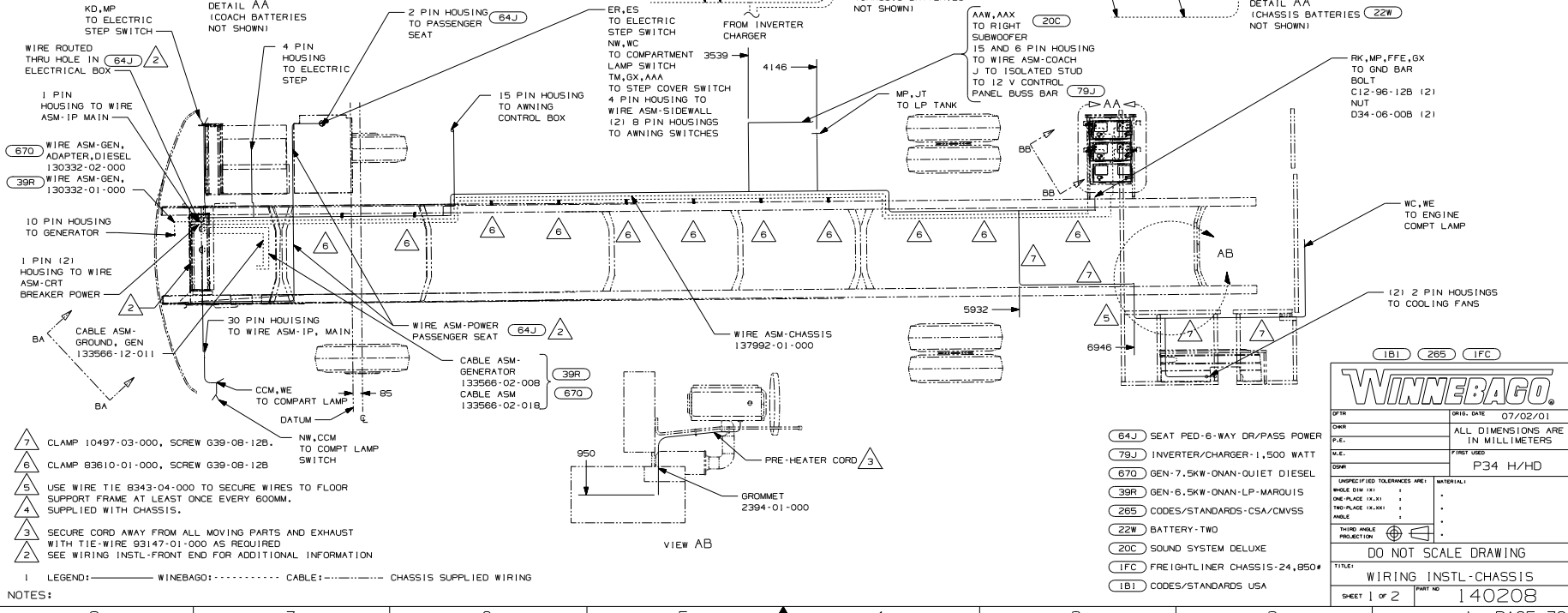
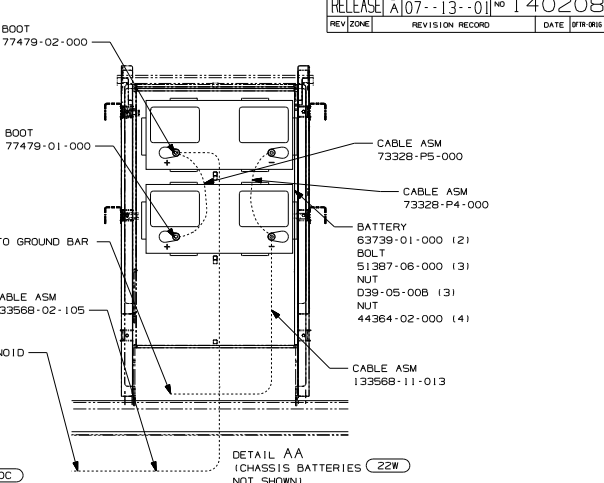
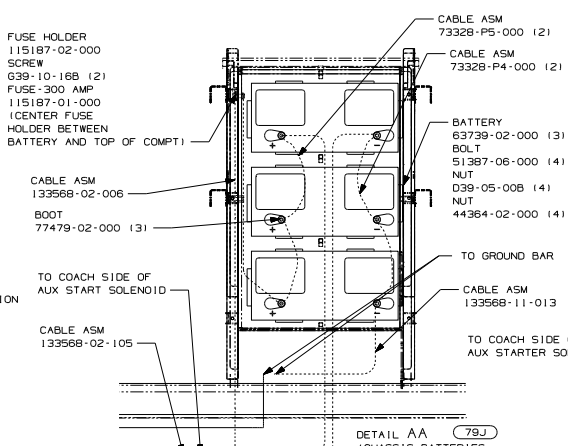
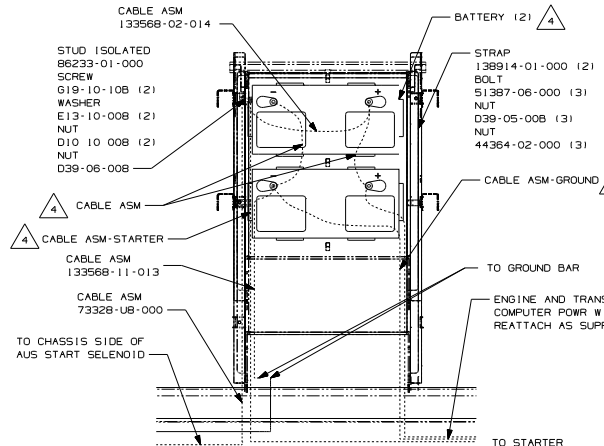
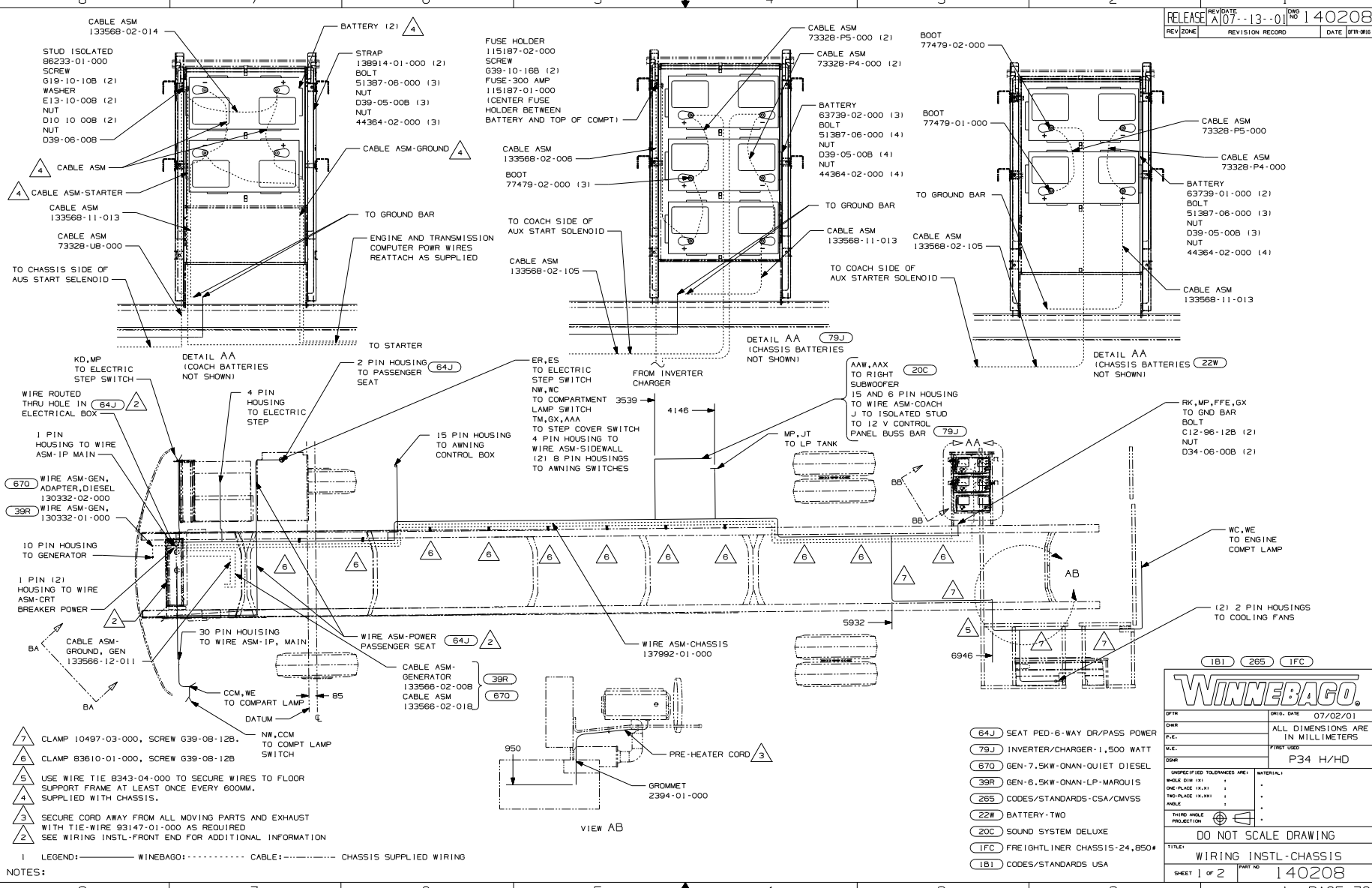
**DANGER**

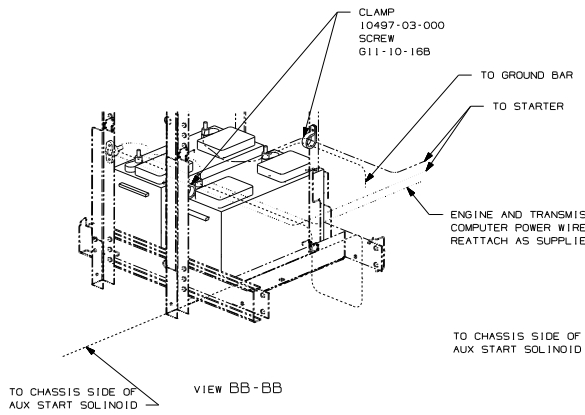
**Danger of electrical shock, burns or death.** Always remove all power sources before attempting any repair, service or diagnostic work. Power can be present from shore power, generator, inverter or battery. All power sources must be disabled and secured before performing any service.



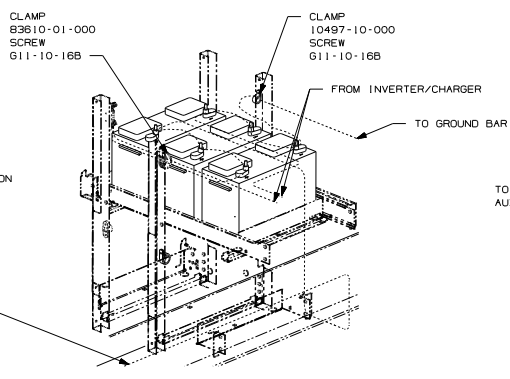
**CAUTION**

If you lack the skills, tools or equipment to perform diagnostic or repair work leave such work to an authorized Winnebago Industries dealer or other qualified shop.

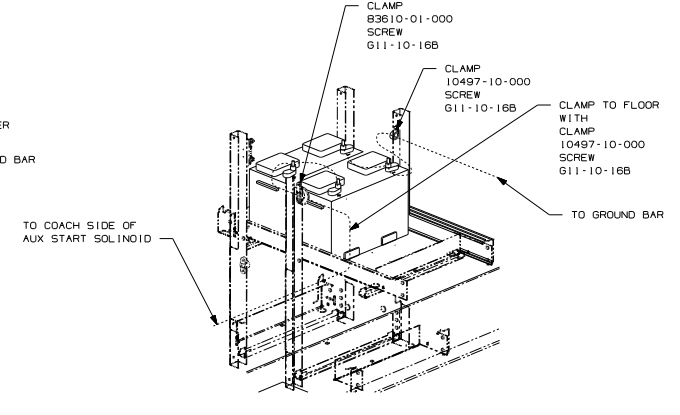




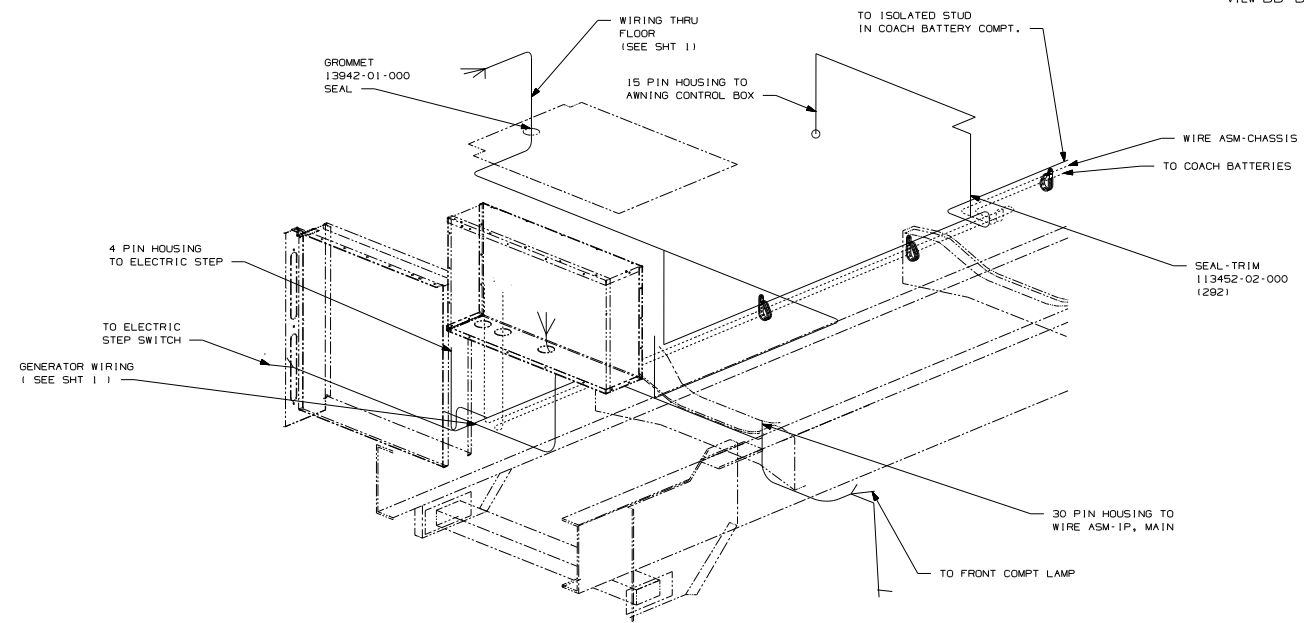
VIEW BB-BB



VIEW BB-BB (79J)



VIEW BB-BB (22W)



VIEW BA-BA

- (79J) INVERTER/CHARGER-1,500 WATT
- (22W) BATTERY-TWO

FIRST USED	P34 H/HD	
TITLE:	DO NOT SCALE DRAWING	
	WIRING INSTL-CHASSIS	
SHEET	2	PART NO 140208