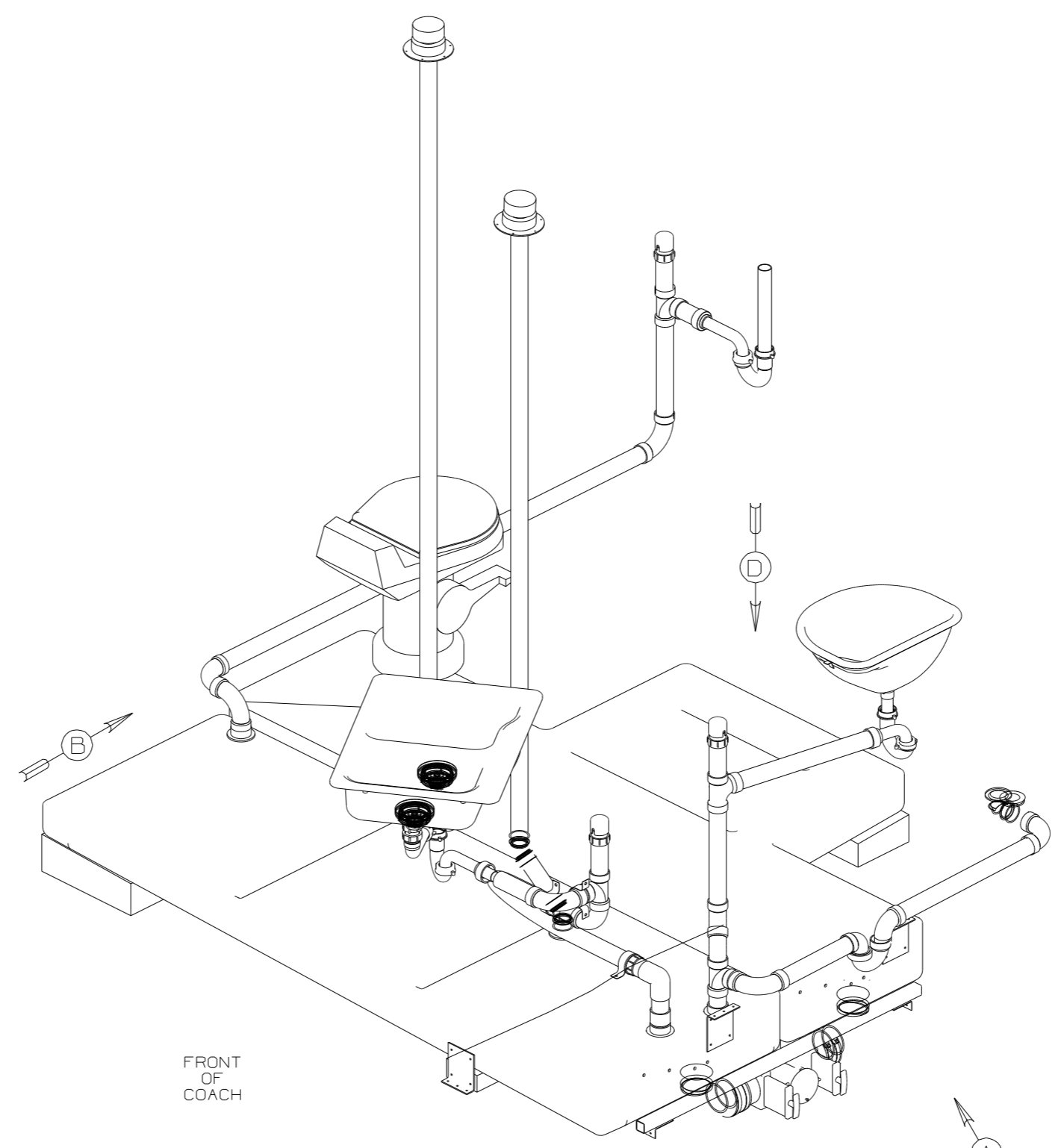


DWG NO	----
139224-01	(WIN)
139224-02	(WDL)
139224-03	(ITA)

RELEASE	REV DATE	DWG NO	139224
REV ZONE	REVISION RECORD	DATE	DTR-016



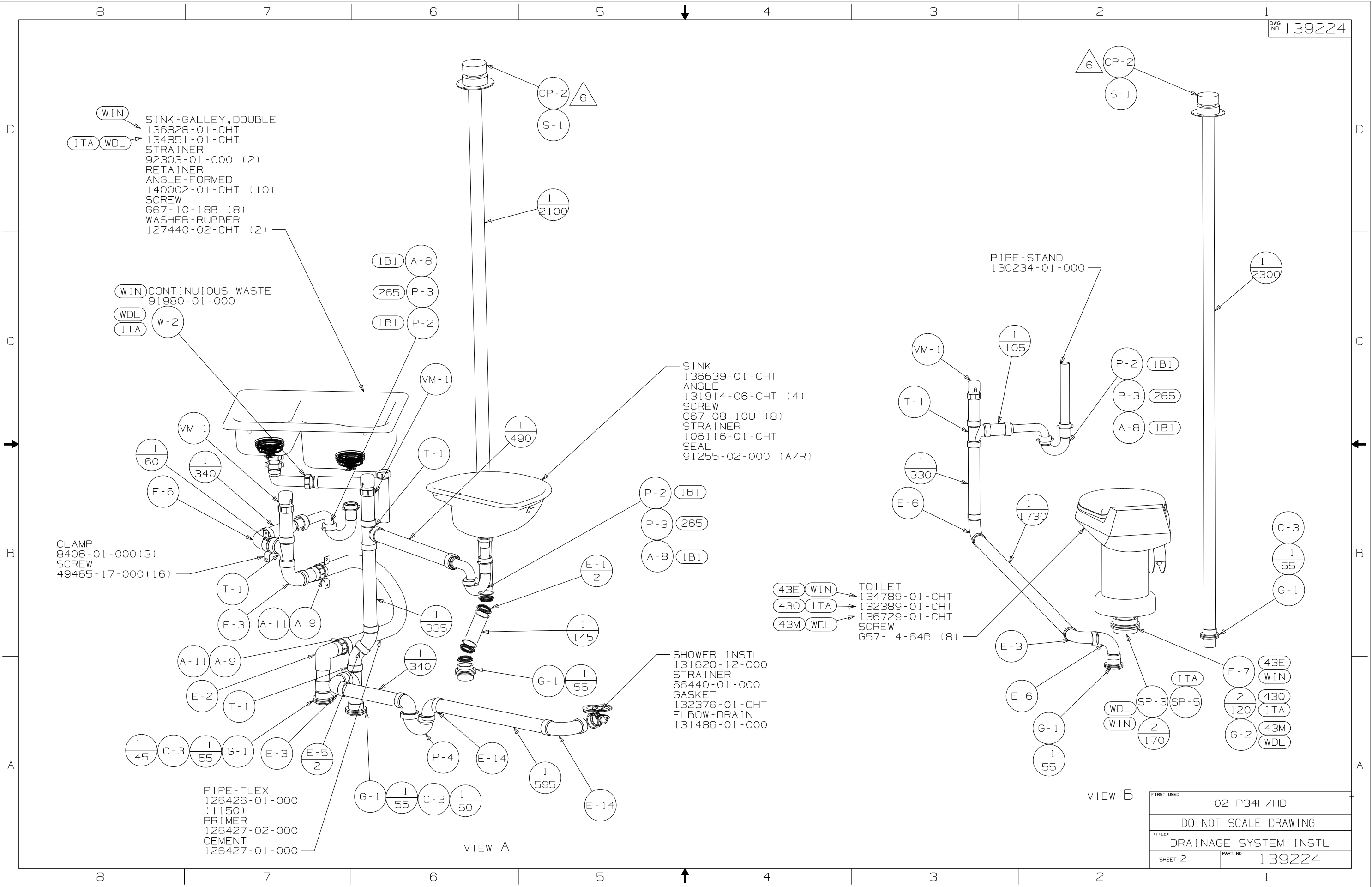
- (WDL) WINNEBAGO DELUXE UPGRADE
- (ITA) ITASCA ONLY
- (WIN) WINNEBAGO ONLY
- (1B1) CODES/STANDARDS USA
- (265) CODES/STANDARDS-CSA/CMVSS
- (43M) TOILET PORCLAIN-ELONGATED
- (43O) TOILET-PORCLAIN
- (43E) SHOWER HEAD-FIXED

- 6 VENT PIPE MUST PROJECT 51 MIN AND 64 MAX ABOVE ROOF FOR PROPER FIT AND FUNCTION.
5. SEAL AROUND SHOWER WITH SILICONE.
  4. ALL EXTERIOR OPENINGS AROUND PIPE TO BE SEALED WITH 110744-01-000.
  3. ALL PIPE AND FITTINGS TO BE ASSEMBLED WITH SOLVENT 4020-01-000.
  2. SLOPE OF TRAP ARM MUST BE 6 PER 305 mm.
  1. SLOPE OF HORIZONTAL PIPING TO BE 6 PER 305 mm.

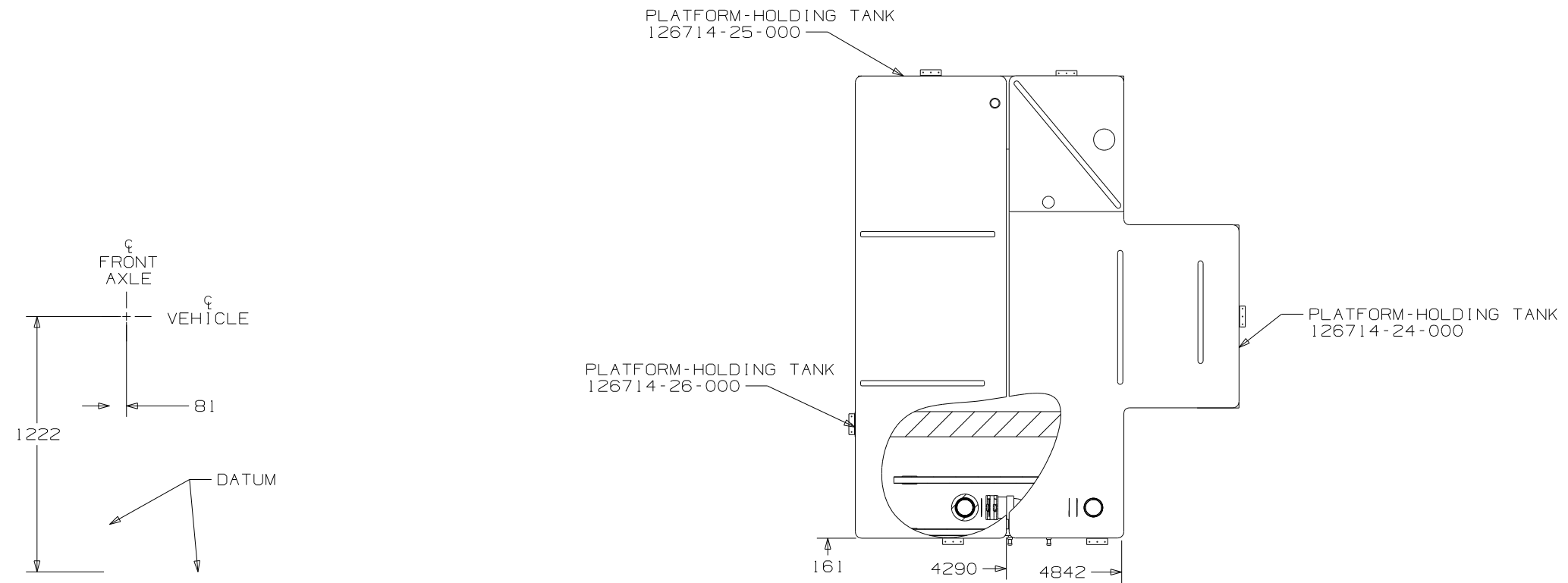
NOTES:

(X-X)  
FOR DRAINAGE CALLOUTS SEE DWG NO 116229-01-000

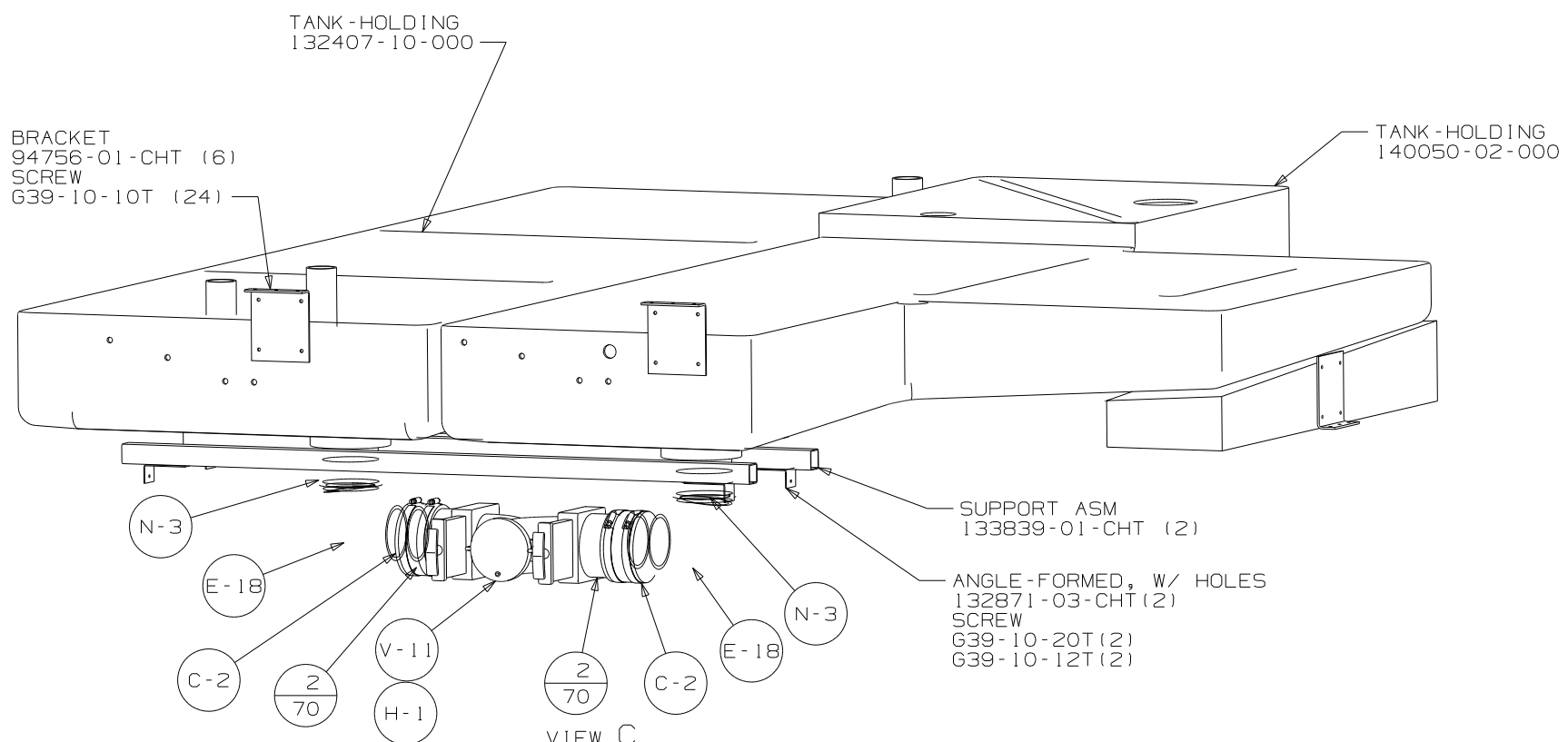
<b>WINNEBAGO</b>		COPYRIGHT 2002 WINNEBAGO INDUSTRIES, INC.	
DTR	ORIG. DATE	ALL DIMENSIONS ARE IN MILLIMETERS	
CHKR		FIRST USED	
P.E.		02 P34H/HD	
M.E.		UNSPECIFIED TOLERANCES ARE:	
DSNR		WHOLE DIM (X) :	7'
		ONE-PLACE (X.X) :	1.5
		TWO-PLACE (X.XX) :	0.50
		ANGLE :	1°
THIRD ANGLE PROJECTION		MATERIAL:	
DO NOT SCALE DRAWING			
TITLE: DRAINAGE SYSTEM INSTL			
SHEET 1 of 3	PART NO	139224	
REF:136812 1			



FIRST USED	O2 P34H/HD	
TITLE	DO NOT SCALE DRAWING	
	DRAINAGE SYSTEM INSTL	
SHEET 2	PART NO	139224



VIEW D

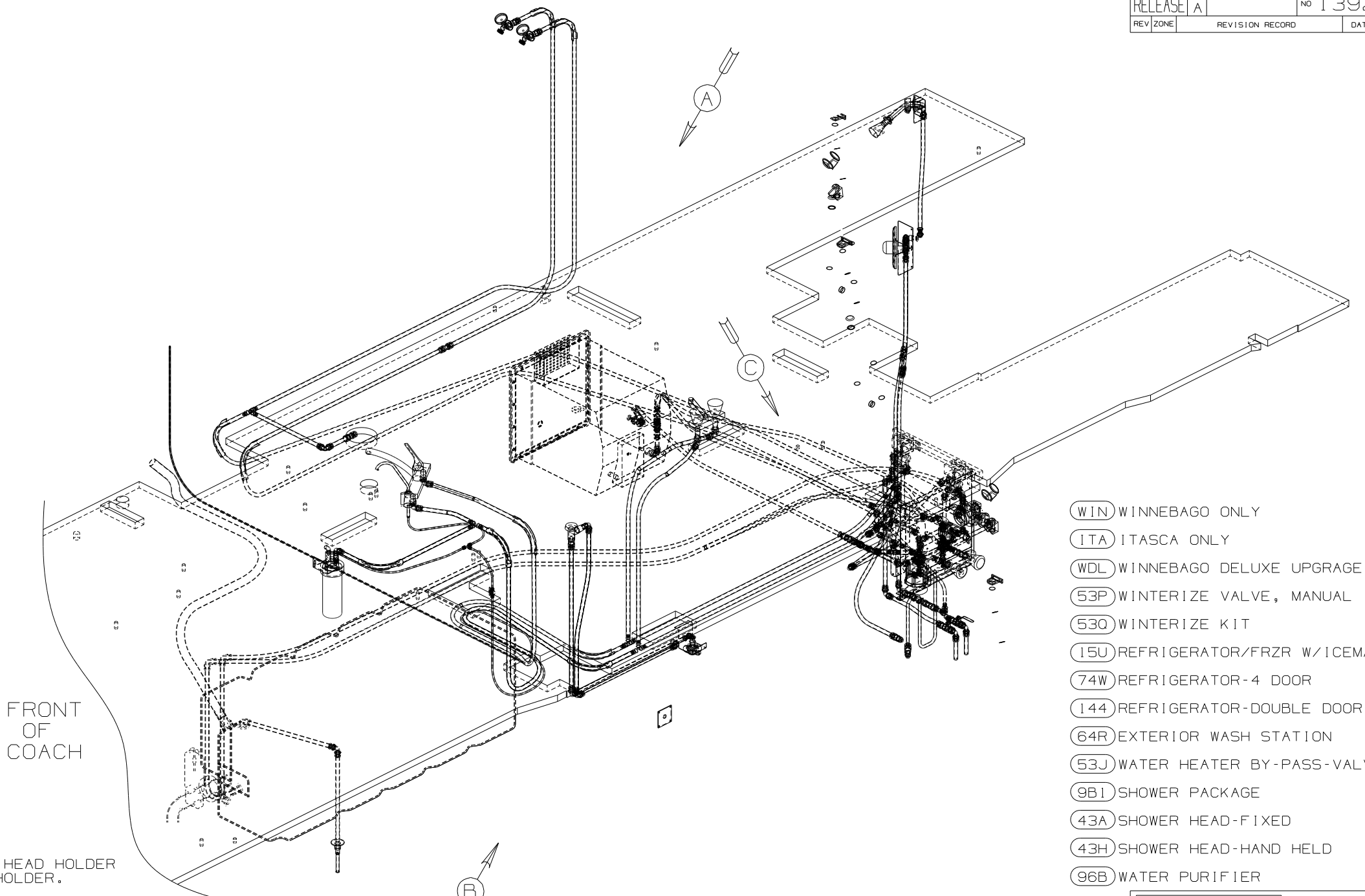


VIEW C

FIRST USED	02 P34H/HD
TITLE	DO NOT SCALE DRAWING
SHEET 3	DRAINAGE SYSTEM INSTL
PART NO	139224

DWG NO	-----
139225-01	(WIN)
139225-02	(WDL) (ITA)

RELEASE	REV DATE	DWG NO	139225
REV ZONE	REVISION RECORD	DATE	DTR-016



FRONT OF COACH

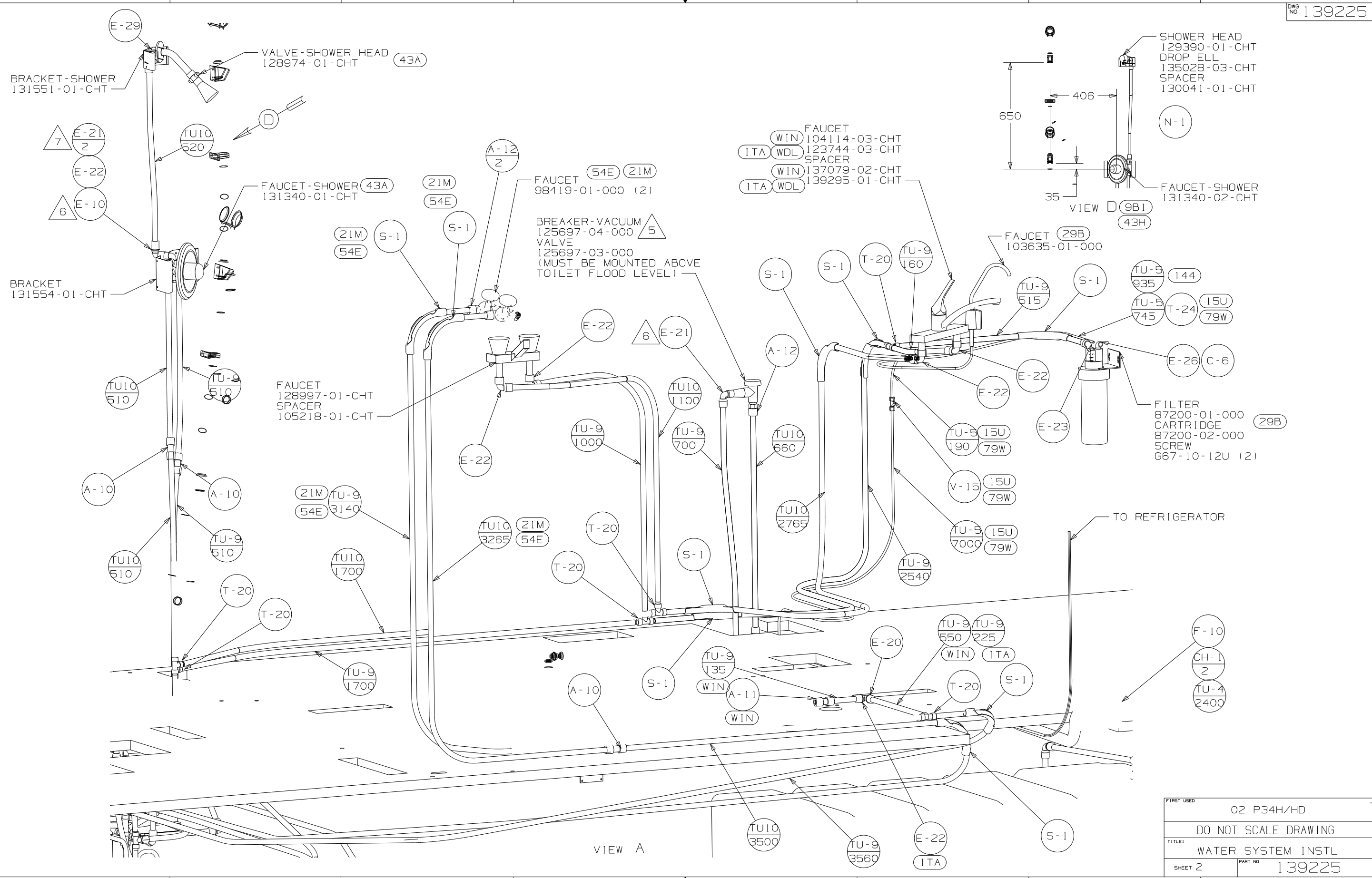
- (WIN) WINNEBAGO ONLY
- (ITA) ITASCA ONLY
- (WDL) WINNEBAGO DELUXE UPGRAGE
- (53P) WINTERIZE VALVE, MANUAL
- (53O) WINTERIZE KIT
- (15U) REFRIGERATOR/FRZR W/ICEMAKER
- (74W) REFRIGERATOR-4 DOOR
- (144) REFRIGERATOR-DOUBLE DOOR
- (64R) EXTERIOR WASH STATION
- (53J) WATER HEATER BY-PASS-VALVE
- (9B1) SHOWER PACKAGE
- (43A) SHOWER HEAD-FIXED
- (43H) SHOWER HEAD-HAND HELD
- (96B) WATER PURIFIER

- 9 APPLY DECAL TO INSIDE OF UPPER SHOWER HEAD HOLDER TO RETAIN HAND SHOWER UNIT INSIDE OF HOLDER.
  - 8 WRAP WITH TEFLON TAPE 10405-01-000 TO FITTING.
  - 7 WRAP WITH TEFLON TAPE 10405-03-000 TO FITTING.
  - 6 WRAP WITH TEFLON TAPE 10405-02-000 TO FITTING.
  - 5 FLUSHING SYSTEM REQUIRES 125697-06-000 INSTRUCTION SHEET.
  - 4 CLAMPS MUST BE ON BARBS.
3. ALL TUBING TO BE SECURED AT 1200 INTERVALS MAXIMUM WITH CLAMP 10495-01-000 OR CLIP 9151-01-000 AND SCREW 667-10-12B.
  2. TUBING TO BE INSTALLED WITH SUFFICIENT SLOPE TO PROVIDE DRAINAGE TO NEAREST VALVE.
  1. PLASTIC FITTINGS TO BE SEALED WITH SEALANT 84456-01-000.

NOTES:

(X-X)  
FOR WATER CALLOUTS SEE DWG NO 116230-01-000

<b>WINNEBAGO</b>		COPYRIGHT 2002 WINNEBAGO INDUSTRIES, INC.	
DTR	ORIG. DATE	ALL DIMENSIONS ARE IN MILLIMETERS	
CHKR		FIRST USED	
P.E.		02 P34H/HD	
M.E.			
DSNR			
UNSPECIFIED TOLERANCES ARE:		MATERIAL:	
WHOLE DIM (X)	: 7		
ONE-PLACE (X.X)	:		
TWO-PLACE (X.XX)	:		
ANGLE	:		
THIRD ANGLE PROJECTION			
DO NOT SCALE DRAWING			
TITLE: WATER SYSTEM INSTL			
SHEET 1 OF 5		PART NO 139225	



BRACKET-SHOWER  
131551-01-CHT

VALVE-SHOWER HEAD  
128974-01-CHT (43A)

E-21  
E-22  
E-10

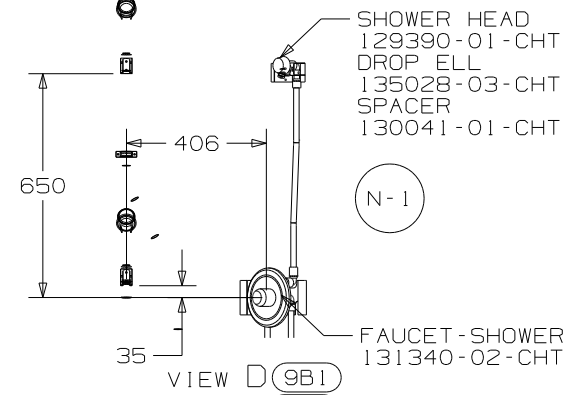
BRACKET  
131554-01-CHT

FAUCET-SHOWER  
131340-01-CHT (43A)

FAUCET  
98419-01-000 (2)

BREAKER-VACUUM  
VALVE  
125697-03-000  
(MUST BE MOUNTED ABOVE  
TOILET FLOOD LEVEL)

FAUCET  
104114-03-CHT  
123744-03-CHT  
SPACER  
137079-02-CHT  
139295-01-CHT



FAUCET  
103635-01-000 (29B)

TU-9  
TU-5  
T-24

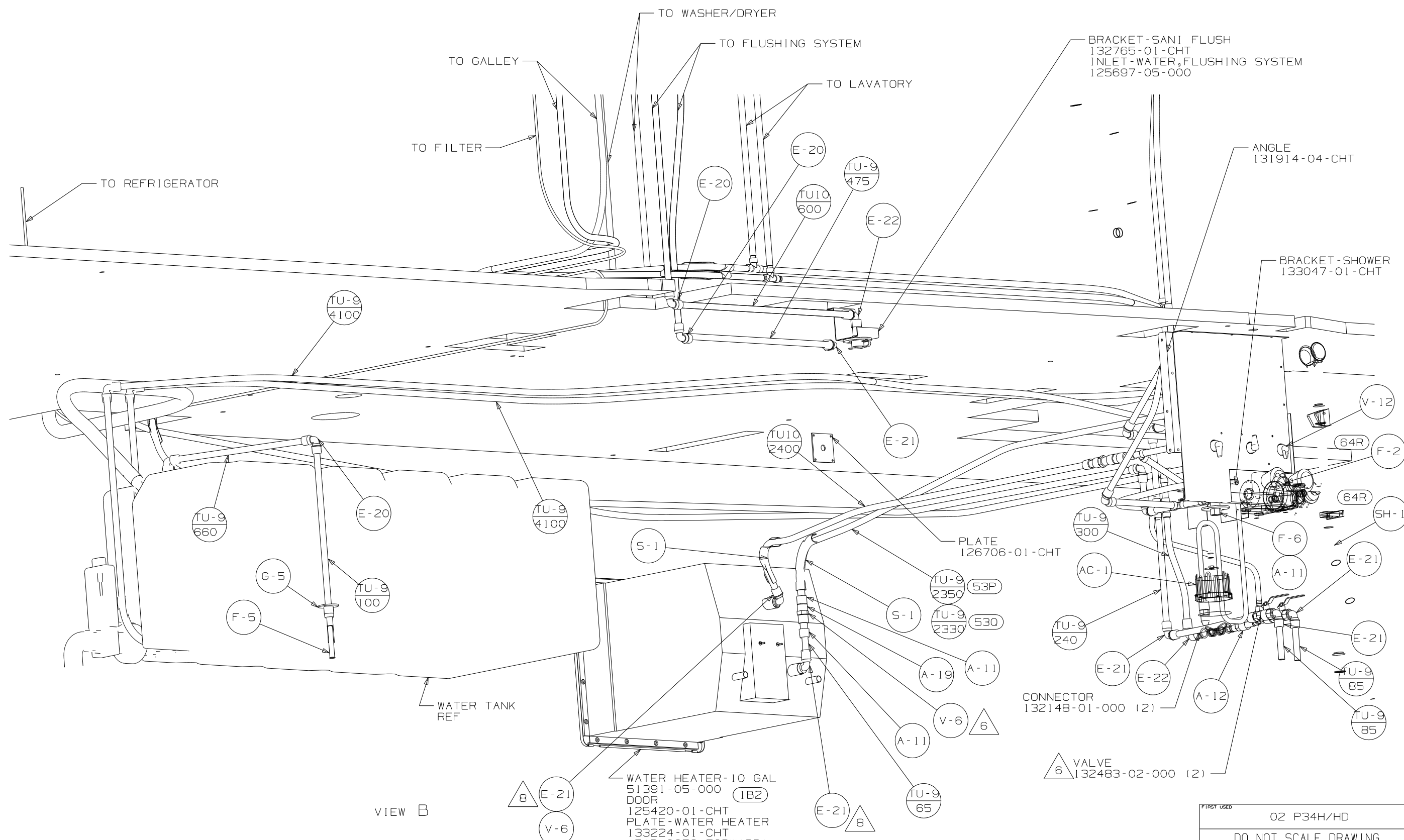
FILTER  
87200-01-000  
CARTRIDGE  
87200-02-000  
SCREW  
667-10-12U (2)

TO REFRIGERATOR

F-10  
CH-1  
TU-4

VIEW A

FIRST USED	O2 P34H/HD
TITLE	DO NOT SCALE DRAWING
TITLE	WATER SYSTEM INSTL
SHEET 2	PART NO 139225



TO WASHER/DRYER  
 TO GALLEY  
 TO FLUSHING SYSTEM  
 TO LAVATORY  
 TO FILTER  
 TO REFRIGERATOR

BRACKET-SANI FLUSH  
 132765-01-CHT  
 INLET-WATER,FLUSHING SYSTEM  
 125697-05-000

ANGLE  
 131914-04-CHT

BRACKET-SHOWER  
 133047-01-CHT

WATER TANK  
 REF

WATER HEATER-10 GAL  
 51391-05-000 (1B2)  
 DOOR  
 125420-01-CHT  
 PLATE-WATER HEATER  
 133224-01-CHT  
 (TAB GOES FORWARD)  
 SCREW  
 639-10-10T (16)

PLATE  
 126706-01-CHT

CONNECTOR  
 132148-01-000 (2)

VALVE  
 132483-02-000 (2)

VIEW B

FIRST USED	O2 P34H/HD
TITLE	DO NOT SCALE DRAWING
SHEET 3	PART NO 139225

8

7

6

5

4

3

2

1

D

D

C

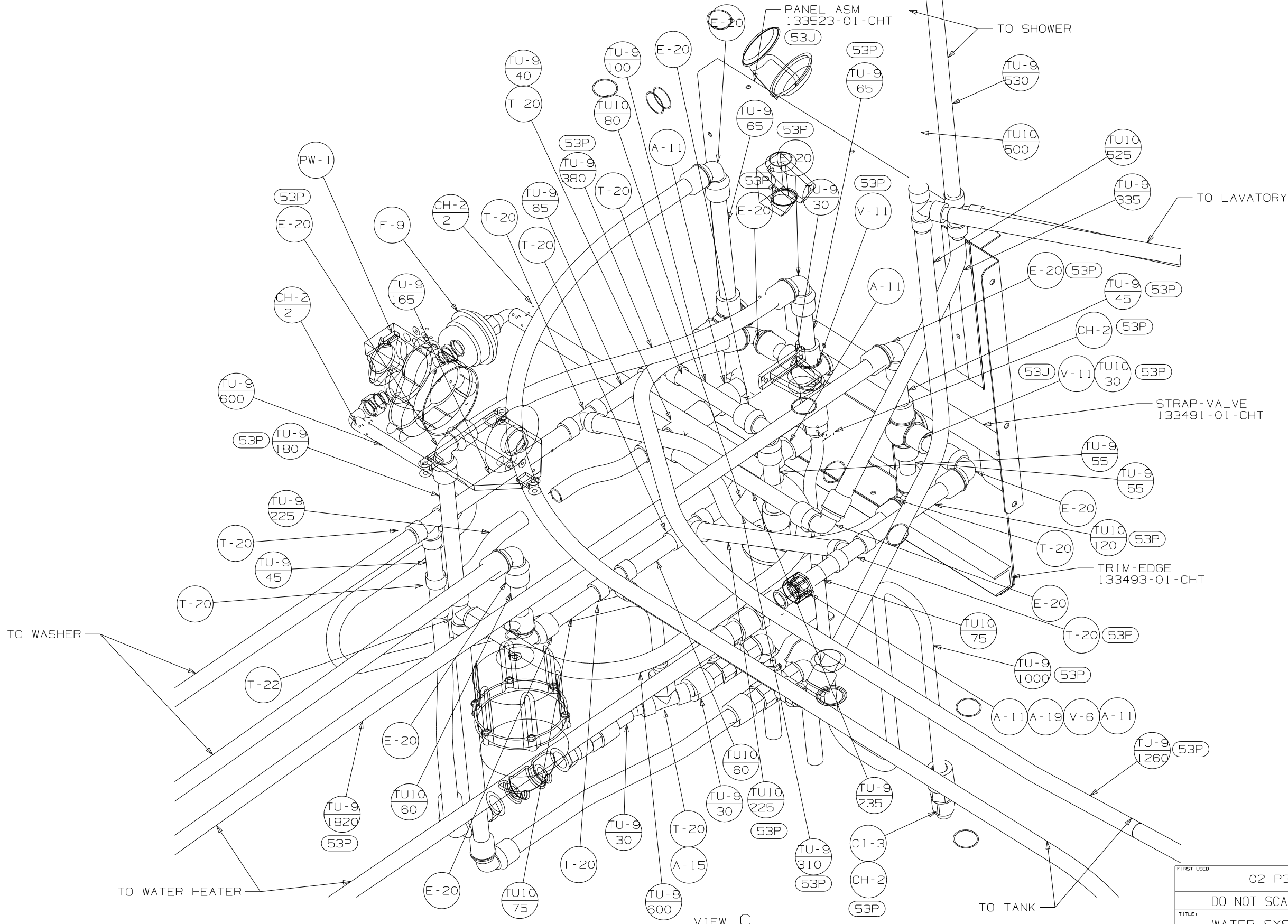
C

B

B

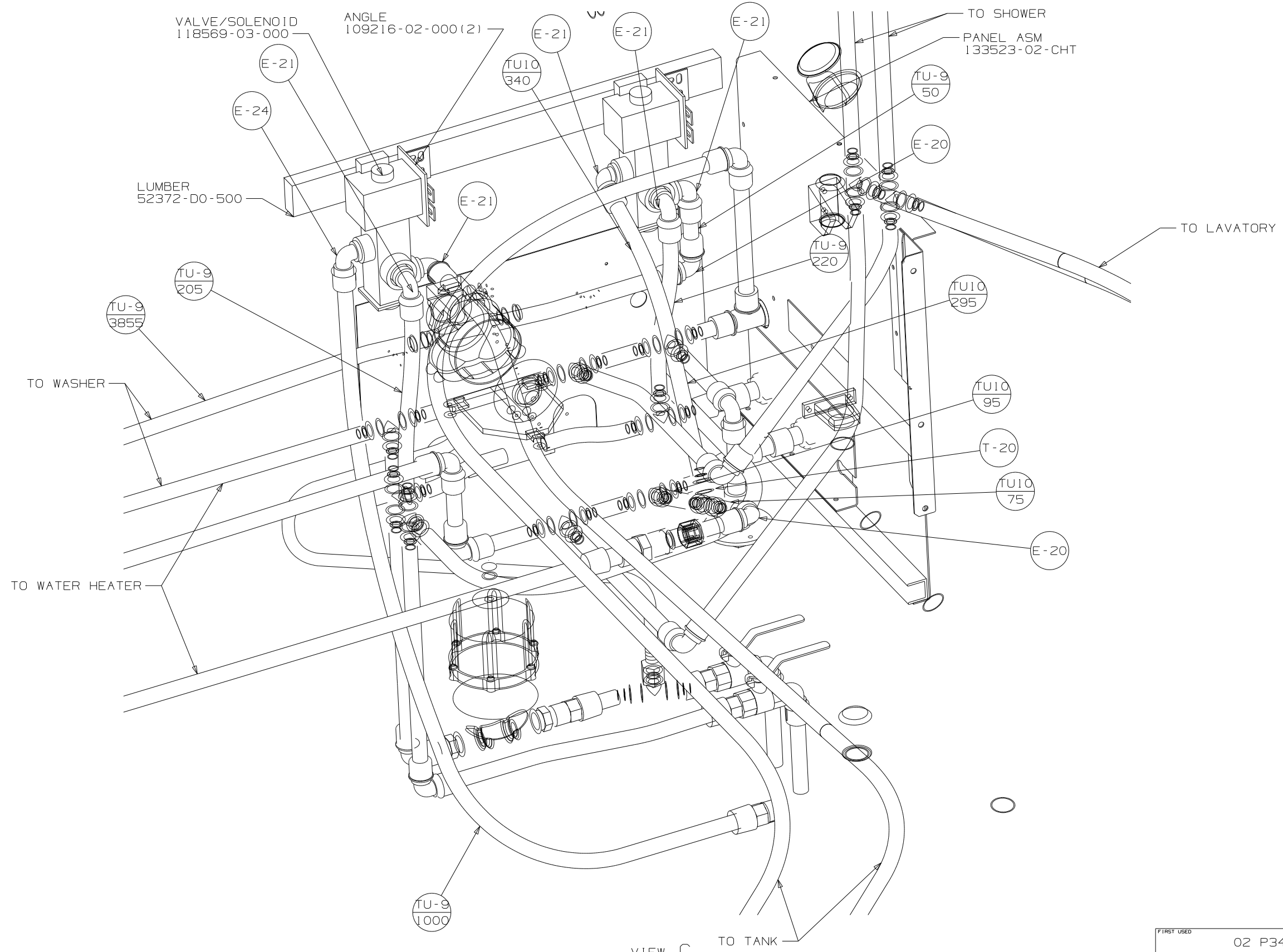
A

A



VIEW C

FIRST USED	O2 P34H/HD
TITLE	DO NOT SCALE DRAWING
TITLE	WATER SYSTEM INSTL
SHEET 4	PART NO 139225



VIEW C  
530

FIRST USED	02 P34H/HD
DO NOT SCALE DRAWING	
TITLE	WATER SYSTEM INSTL
SHEET 5	PART NO 139225