



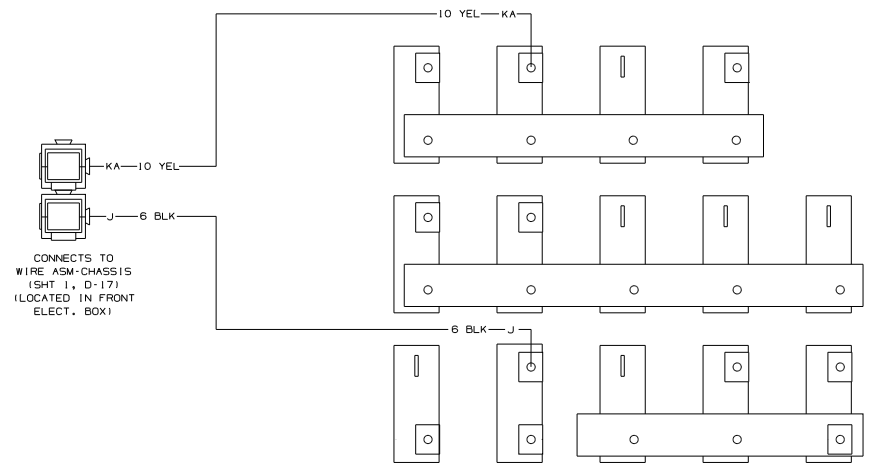
DANGER

Danger of electrical shock, burns or death. Always remove all power sources before attempting any repair, service or diagnostic work. Power can be present from shore power, generator, inverter or battery. All power sources must be disabled and secured before performing any service.



CAUTION

If you lack the skills, tools or equipment to perform diagnostic or repair work leave such work to an authorized Winnebago Industries dealer or other qualified shop.



WIRING DIAGRAM-CIRCUIT BREAKER POWER
 (WIRE ASM 103991-05)

WINNEBAGO

DTR: _____ DATE: 12/03/01
 DWR: _____
 P.E.: _____ ALL DIMENSIONS ARE IN MILLIMETERS
 M.E.: _____ FIRST USED
 DSW: _____ 02 P32T

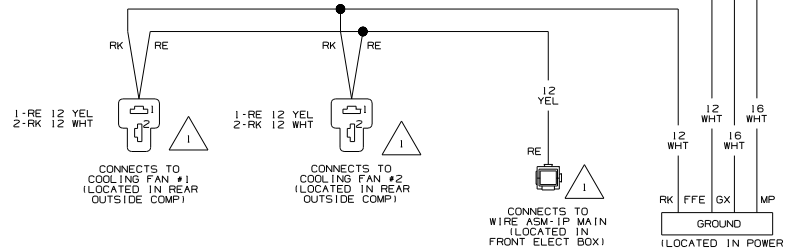
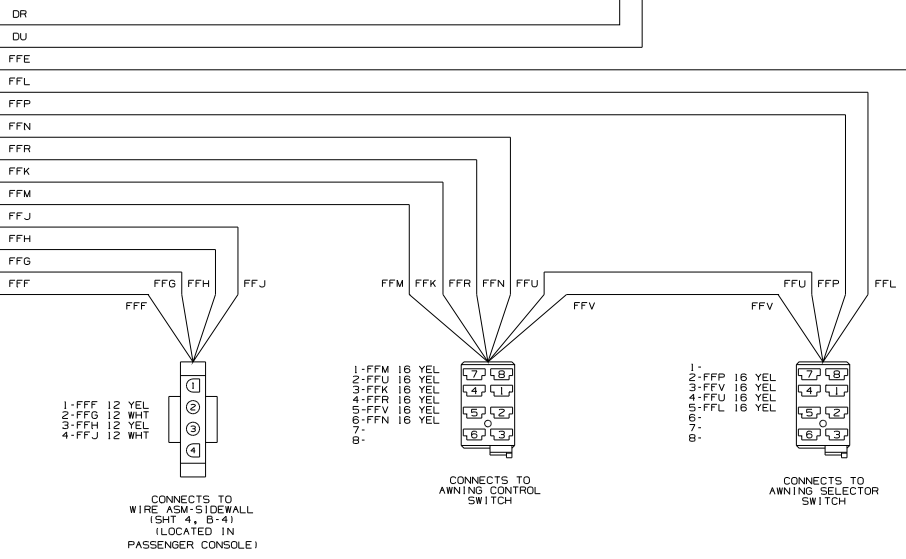
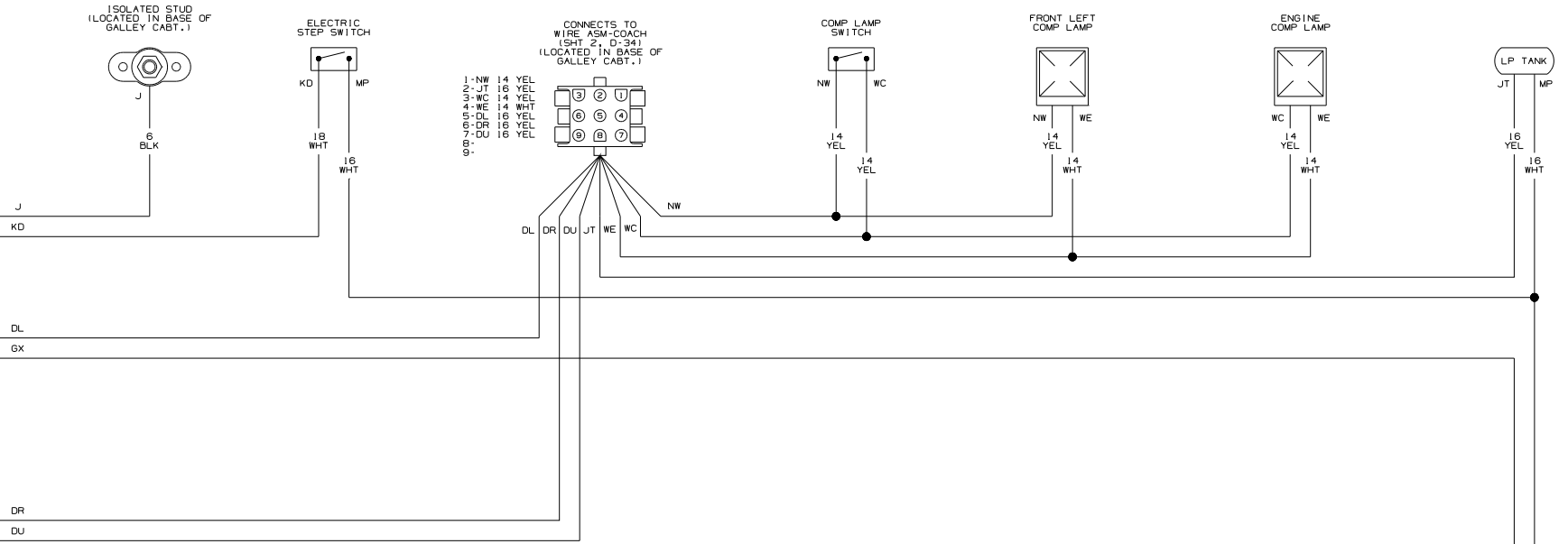
UNSPECIFIED TOLERANCES ARE:
 HOLE DIA .015 ± .005
 ONE-PLACE .15(.X) ± .005
 TWO-PLACE .15(.XX) ± .005
 ANGLE ± .5°

THIRD ANGLE PROJECTION

DO NOT SCALE DRAWING

TITLE: WIRING DIAGRAM-BODY, 12V
 SHEET 1 OF 7 PART NO 139180

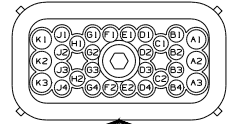
REF: 1 PAGE 19



WIRING DIAGRAM-CHASSIS (WIRE ASM 139852)

- A1-AAX 16 WHT
- A2-
- A3-
- B1-
- B2-
- B3-
- B4-
- C1-
- C2-TM 16 WHT
- D1-LL 16 WHT
- D2-LM 16 WHT
- D3-LN 16 WHT
- D4-HJ 16 YEL
- E1-MM 16 YEL
- E2-HS 16 YEL
- F1-
- F2-
- G1-DL 16 YEL
- G2-DM 16 WHT
- G3-DJ 14 YEL
- G4-DK 16 WHT
- H1-AA 16 WHT
- H2-
- J1-
- J2-WH 16 YEL
- J3-ER 16 YEL
- J4-
- K1-FFD 12 YEL
- K2-
- K3-AAW 16 YEL

CONNECTS TO WIRE ASM-IP MAIN (LOCATED IN FRONT LEFT COMP) 1



RIGHT SUBWOOFER

STEP COVER SWITCH

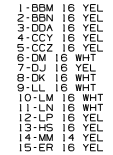
ELECTRIC STEP SWITCH

CONNECTS TO ELECTRIC STEP 2

WIRE ASM-CRT BRK POWER IN FRONT ELECTRICAL BOX (SHT 1, D91) (LOCATED IN FRONT ELECT BOX)



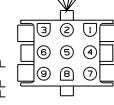
CONNECTS TO WIRE ASM-GENERATOR ADAPT (SHT 7, B-3/B-7) (LOCATED ON TOP OF GENERATOR)



CONNECTS TO WIRE ASM-COACH (SHT 2, A-38) (LOCATED IN BASE OF GALLEY CABT.1)



CONNECTS TO HWH WIRING 2



CONNECTS TO WIRE ASM-IP MAIN (LOCATED UNDER DASH LEFT OF DRIVER) 1



CONNECTS TO AWNING CONTROL BOX 2

D

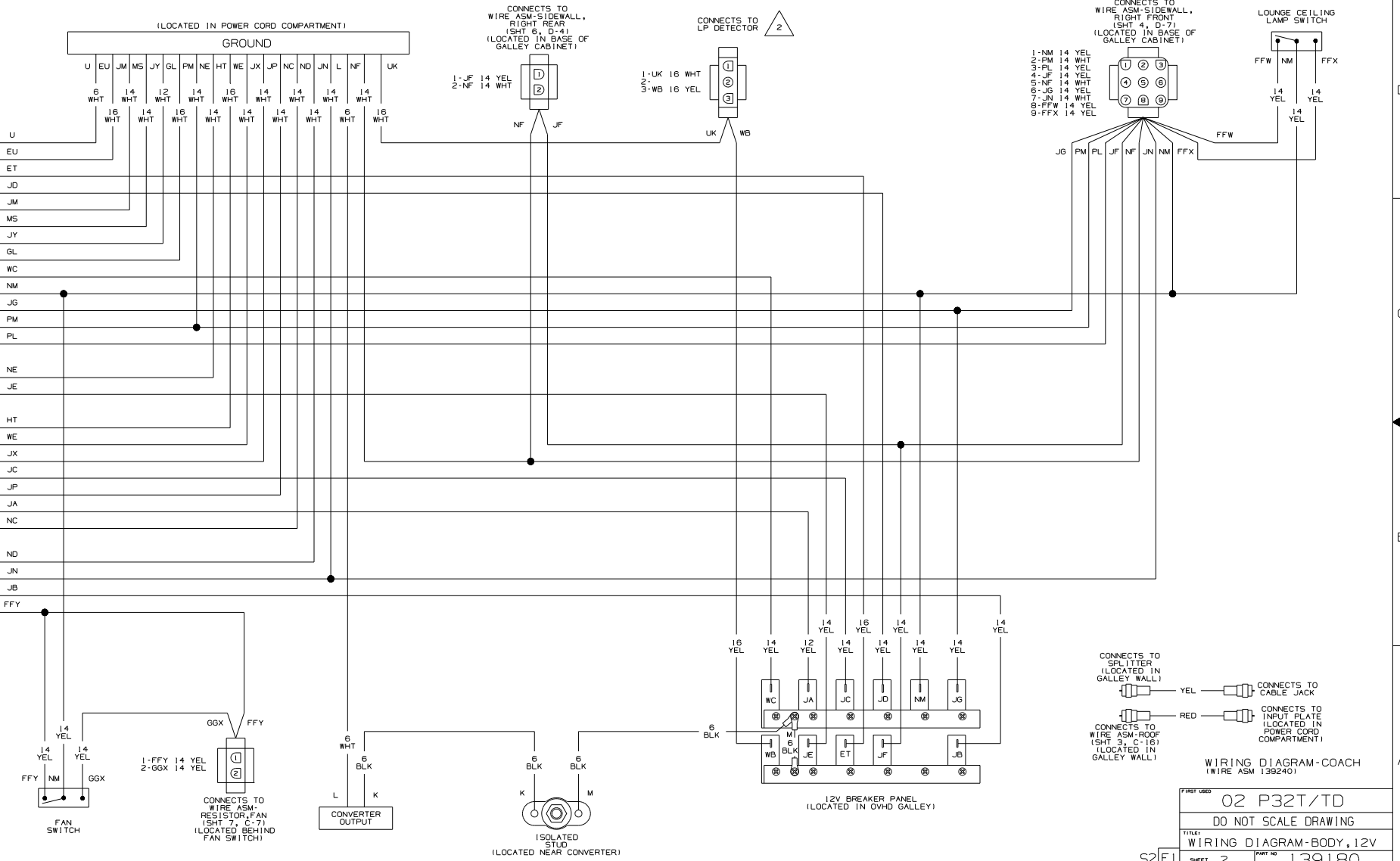
C

B

A

NOTES:

- 2 SEE MANUFACTURER'S DIAGRAM FOR ADDITIONAL INFORMATION.
- 1 SEE WIRING DIAGRAM-AUTO FOR ADDITIONAL INFORMATION.



D

C

B

A

BEDROOM CEILING LAMP SWITCH



PC JD

14 YEL

14 YEL

FRONT COURTESY LAMP SWITCH



NY JE NU

14 YEL 14 YEL

14 YEL

REAR COURTESY LAMP SWITCH



NU PH NY

14 YEL 14 YEL

14 YEL

FRONT COURTESY LAMP



PH NE

14 WHT

14 YEL

REAR COURTESY LAMP

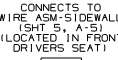


PH NE

14 WHT

14 YEL

- 1-JG 14 YEL
- 2-JN 14 WHT
- 3-EU 16 WHT
- 4-ET 16 YEL
- 5-DJ 16 YEL
- 6-DK 16 WHT



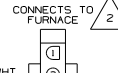
CONNECTS TO WIRE ASM-SIDEWALL (SHT 5, A-5) (LOCATED IN FRONT DRIVERS SEAT)

JG DK DJ JN ET EU



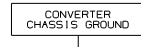
CONNECTS TO THERMOSTAT

1-JB 14 YEL
2-JM 14 WHT
3-JJ 14 YEL



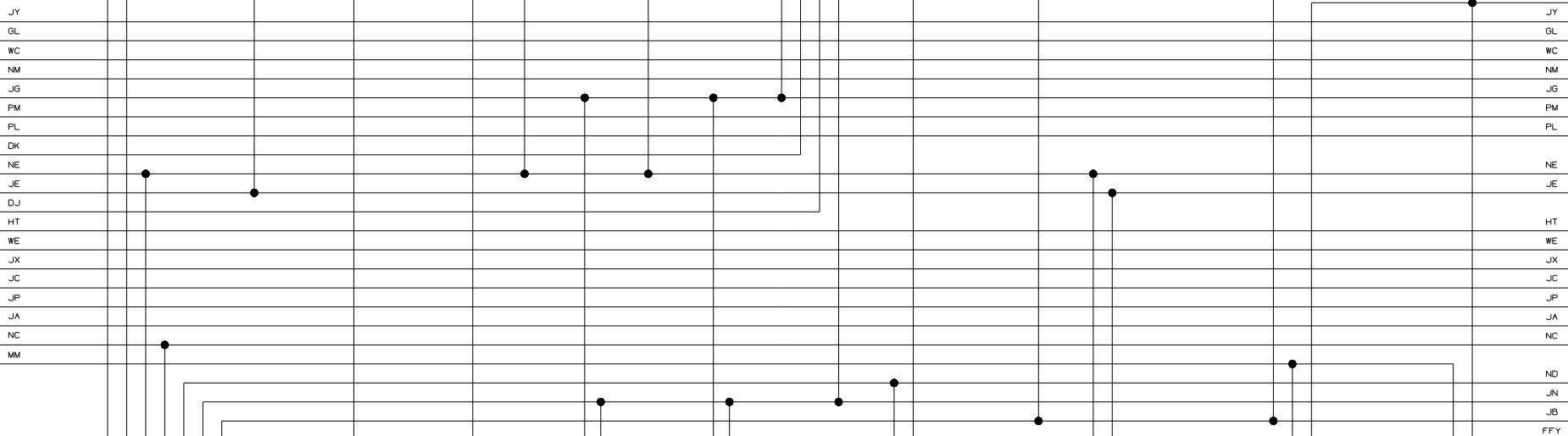
CONNECTS TO FURNACE

1-JM 14 WHT
2-JJ 14 YEL
3-JB 14 YEL
4-



CONVERTER CHASSIS GROUND

U
6 WHT



BEDROOM CEILING LAMP SWITCH

PC JM NE NC ND JN JB FFY PE

16 YEL 14 YEL

16 YEL

14 YEL

14 YEL

14 YEL

14 YEL

14 YEL

14 YEL

14 YEL

14 YEL

14 YEL

14 YEL

14 YEL

14 YEL

14 YEL

14 YEL

14 YEL

14 YEL

14 YEL

14 YEL

14 YEL

14 YEL

14 YEL

14 YEL

14 YEL

14 YEL

14 YEL

14 YEL

14 YEL

14 YEL

14 YEL

14 YEL

14 YEL

14 YEL

14 YEL

14 YEL

14 YEL

14 YEL

14 YEL

14 YEL

14 YEL

14 YEL

14 YEL

14 YEL

14 YEL

14 YEL

14 YEL

14 YEL

14 YEL

14 YEL

14 YEL

14 YEL

14 YEL

14 YEL

14 YEL

14 YEL

14 YEL

14 YEL

14 YEL

14 YEL

14 YEL

14 YEL

14 YEL

14 YEL

14 YEL

14 YEL

14 YEL

14 YEL

14 YEL

14 YEL

14 YEL

14 YEL

14 YEL

14 YEL

14 YEL

14 YEL

14 YEL

14 YEL

14 YEL

14 YEL

14 YEL

14 YEL

14 YEL

14 YEL

14 YEL

14 YEL

14 YEL

14 YEL

14 YEL

14 YEL

14 YEL

14 YEL

14 YEL

14 YEL

14 YEL

14 YEL

14 YEL

14 YEL

14 YEL

14 YEL

14 YEL

14 YEL

14 YEL

14 YEL

14 YEL

14 YEL

14 YEL

14 YEL

14 YEL

14 YEL

14 YEL

14 YEL

14 YEL

14 YEL

14 YEL

14 YEL

14 YEL

14 YEL

14 YEL

14 YEL

14 YEL

14 YEL

14 YEL

14 YEL

14 YEL

14 YEL

14 YEL

14 YEL

14 YEL

14 YEL

14 YEL

14 YEL

14 YEL

14 YEL

14 YEL

14 YEL

14 YEL

14 YEL

14 YEL

14 YEL

14 YEL

14 YEL

14 YEL

14 YEL

14 YEL

14 YEL

14 YEL

14 YEL

14 YEL

14 YEL

14 YEL

14 YEL

14 YEL

14 YEL

14 YEL

14 YEL

14 YEL

14 YEL

14 YEL

14 YEL

14 YEL

14 YEL

14 YEL

14 YEL

14 YEL

14 YEL

14 YEL

14 YEL

14 YEL

14 YEL

14 YEL

14 YEL

14 YEL

14 YEL

14 YEL

14 YEL

14 YEL

14 YEL

14 YEL

14 YEL

14 YEL

14 YEL

14 YEL

14 YEL

14 YEL

14 YEL

14 YEL

14 YEL

14 YEL

14 YEL

14 YEL

14 YEL

14 YEL

14 YEL

14 YEL

14 YEL

14 YEL

14 YEL

14 YEL

14 YEL

14 YEL

14 YEL

14 YEL

14 YEL

14 YEL

14 YEL

14 YEL

14 YEL

14 YEL

14 YEL

14 YEL

14 YEL

14 YEL

14 YEL

14 YEL

14 YEL

14 YEL

14 YEL

14 YEL

14 YEL

14 YEL

14 YEL

14 YEL

14 YEL

14 YEL

14 YEL

14 YEL

14 YEL

14 YEL

14 YEL

14 YEL

14 YEL

14 YEL

14 YEL

14 YEL

14 YEL

14 YEL

14 YEL

14 YEL

14 YEL

14 YEL

14 YEL

14 YEL

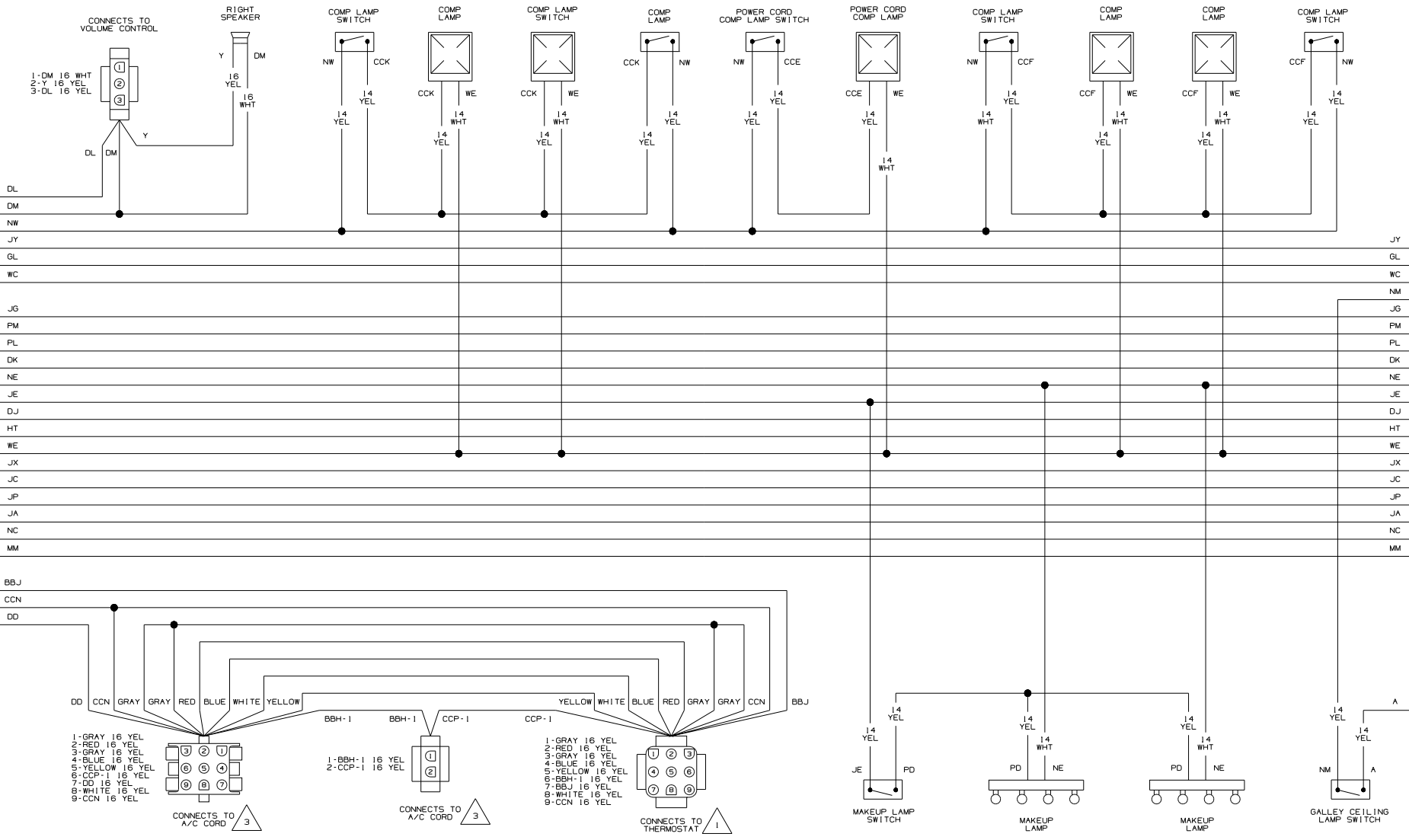
14 YEL

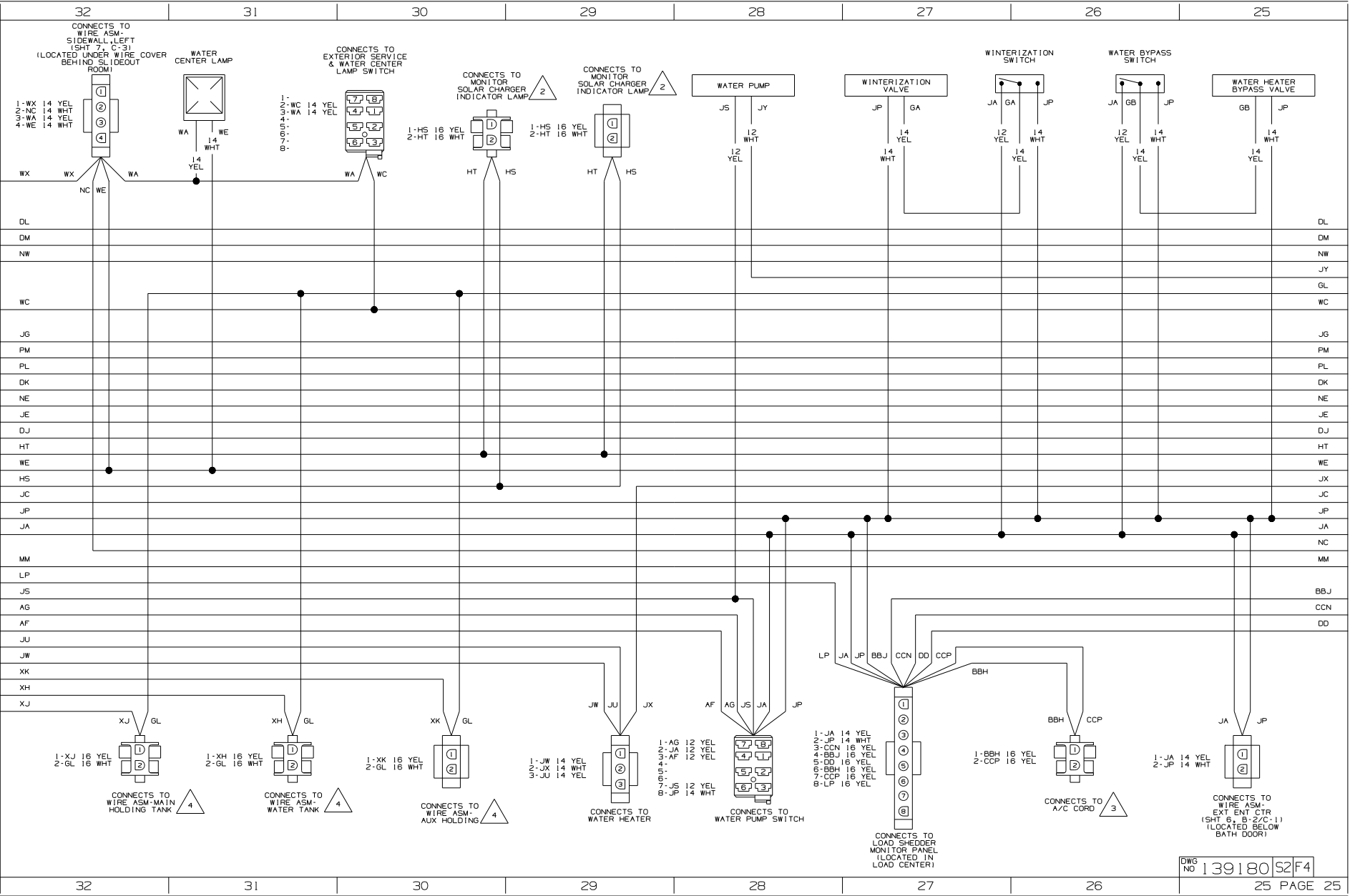
14 YEL

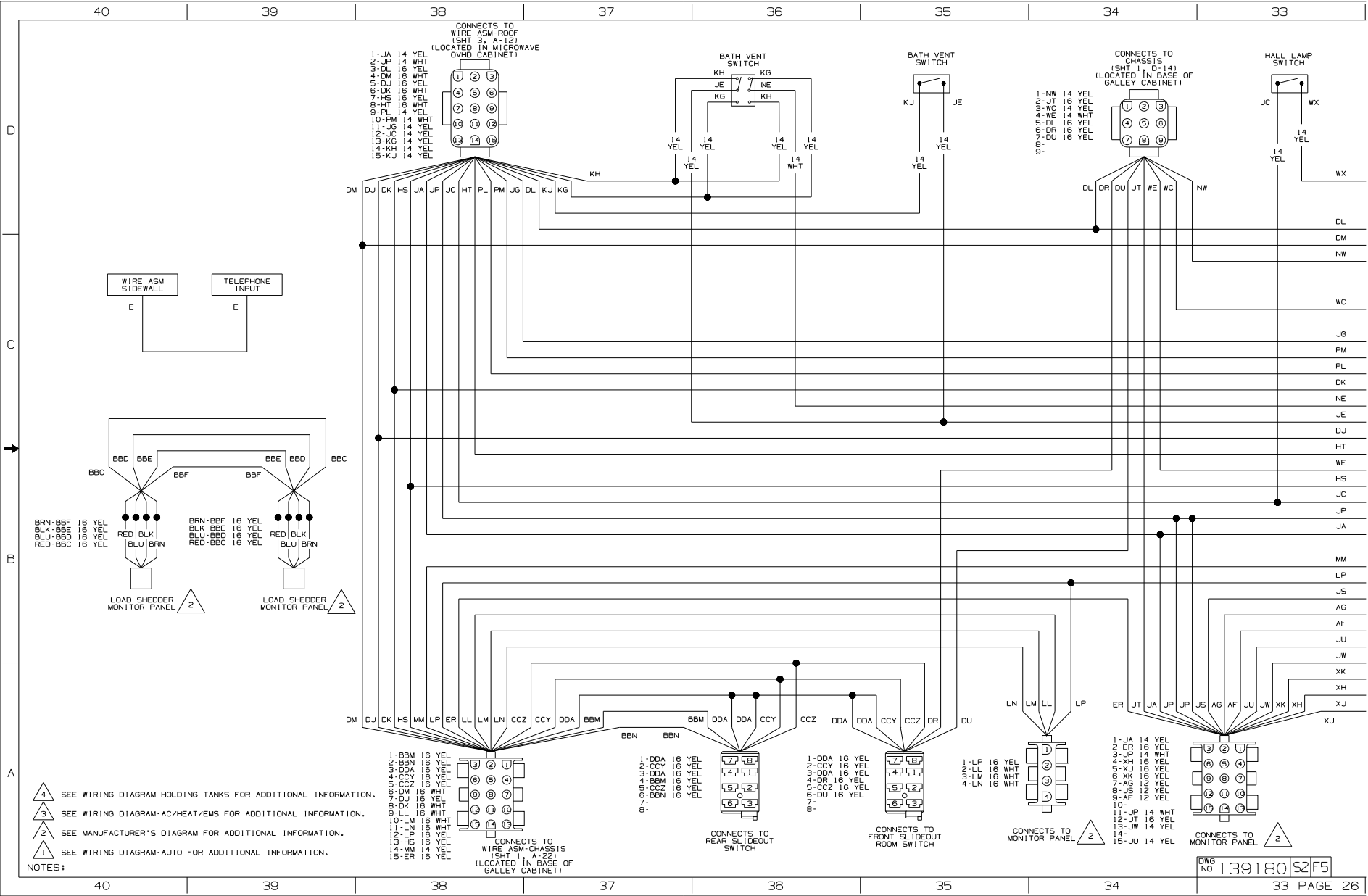
14 YEL

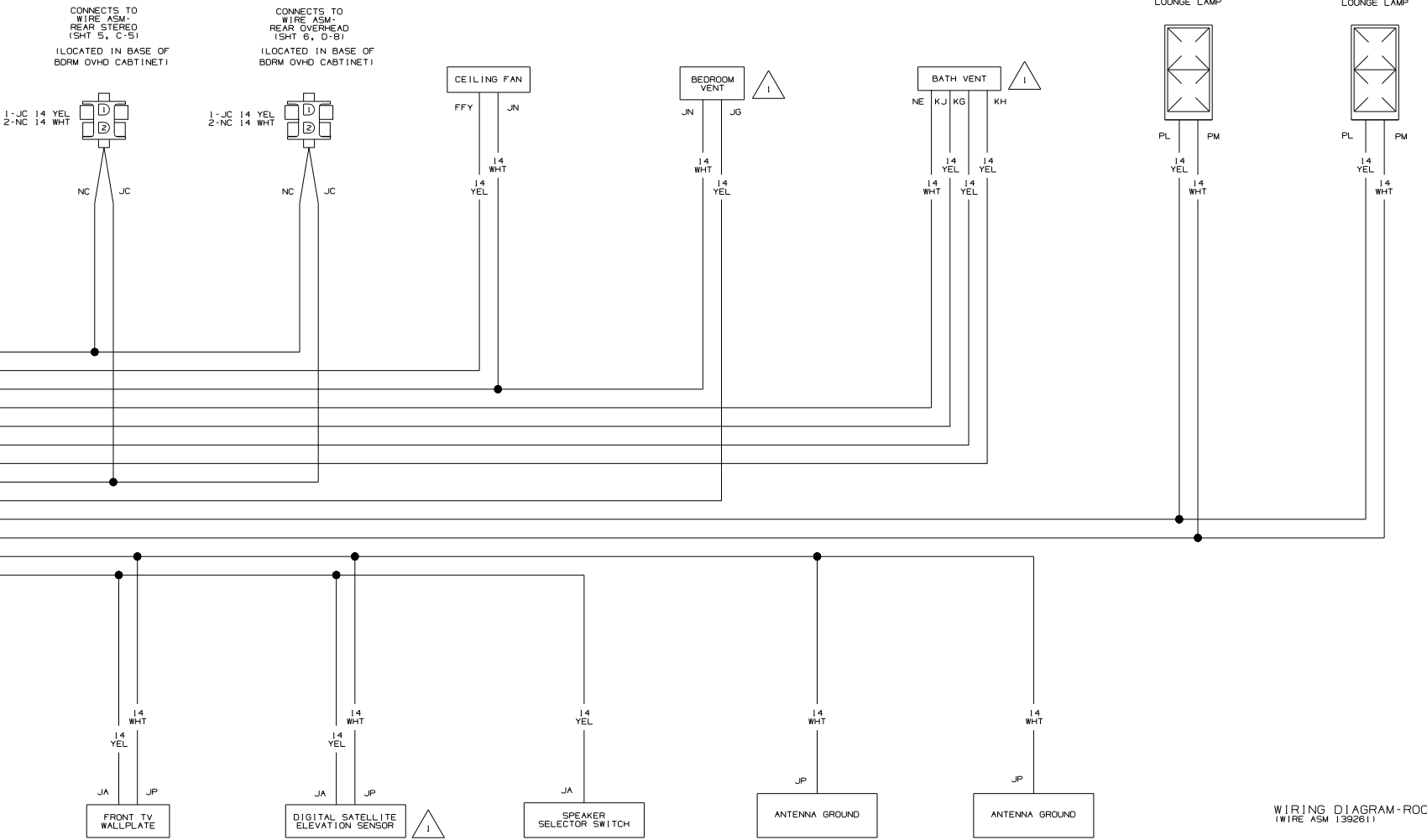
14 YEL

14 Y





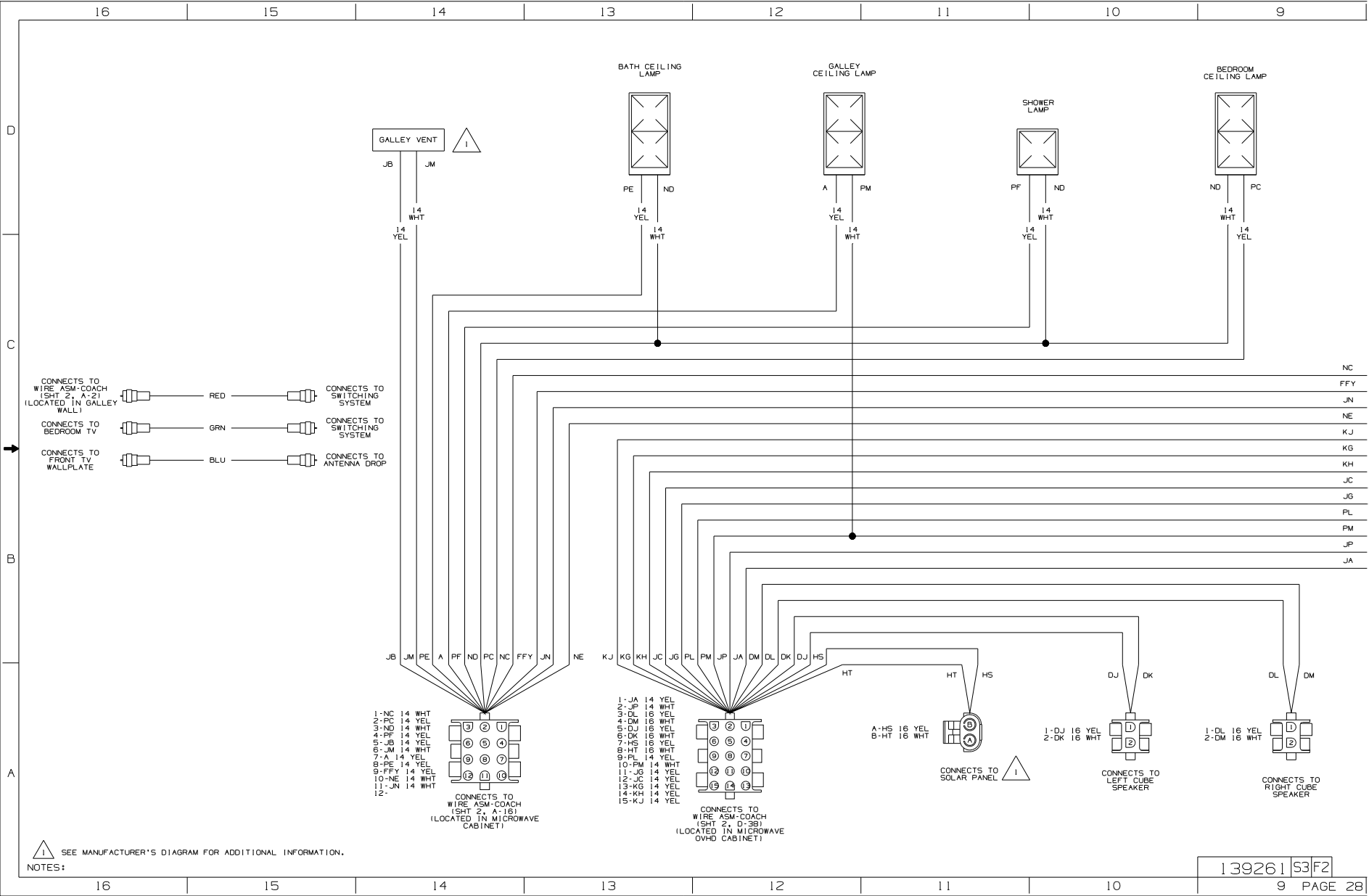




WIRING DIAGRAM-ROOF
(WIRE ASM 139261)

FIRST USED	02 P32T/TD	
TITLE	DO NOT SCALE DRAWING	
	WIRING DIAGRAM-BODY, 12V	
SHEET	3	PART NO 139261

S3F1



GALLEY VENT

BATH CEILING LAMP

GALLEY CEILING LAMP

SHOWER LAMP

BEDROOM CEILING LAMP

CONNECTS TO WIRE ASM-COACH (SHT 2, A-2) (LOCATED IN GALLEY WALL)

CONNECTS TO BEDROOM TV

CONNECTS TO FRONT TV WALLPLATE

RED

GRN

BLU

CONNECTS TO SWITCHING SYSTEM

CONNECTS TO SWITCHING SYSTEM

CONNECTS TO ANTENNA DROP

1-NC 14 WHT
 2-PC 14 YEL
 3-ND 14 WHT
 4-PF 14 YEL
 5-JB 14 YEL
 6-JM 14 WHT
 7-A 14 YEL
 8-PE 14 YEL
 9-FFY 14 YEL
 10-NE 14 WHT
 11-JN 14 WHT
 12-

1-JA 14 YEL
 2-JP 14 WHT
 3-DL 16 YEL
 4-DM 16 WHT
 5-DJ 16 YEL
 6-DK 16 WHT
 7-HS 16 YEL
 8-HT 16 WHT
 9-PL 14 YEL
 10-PM 14 WHT
 11-JG 14 YEL
 12-JC 14 YEL
 13-KG 4 YEL
 14-KH 14 YEL
 15-KJ 14 YEL

A-HS 16 YEL
 B-HT 16 WHT

1-OJ 16 YEL
 2-DK 16 WHT

1-DL 16 YEL
 2-DM 16 WHT

1 SEE MANUFACTURER'S DIAGRAM FOR ADDITIONAL INFORMATION.

NOTES:

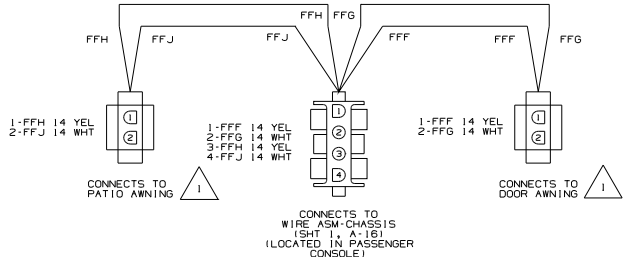
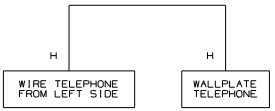
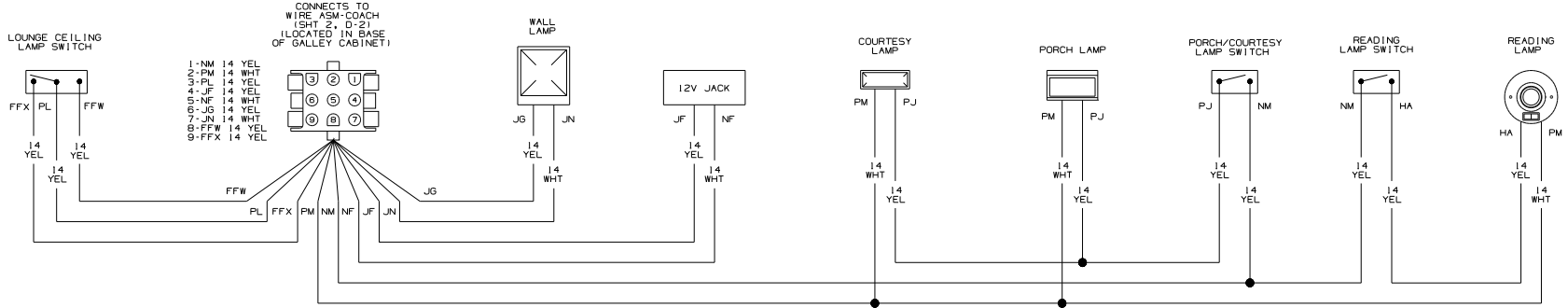
CONNECTS TO WIRE ASM-COACH (SHT 2, A-15) (LOCATED IN MICROWAVE CABINET)

CONNECTS TO WIRE ASM-COACH (SHT 2, D-35) (LOCATED IN MICROWAVE OVHD CABINET)

CONNECTS TO SOLAR PANEL

CONNECTS TO LEFT CUBE SPEAKER

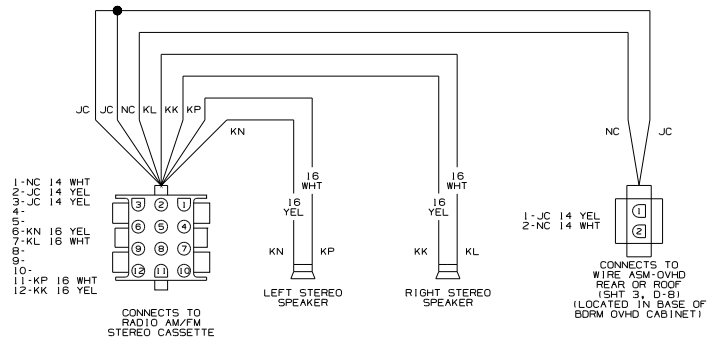
CONNECTS TO RIGHT CUBE SPEAKER



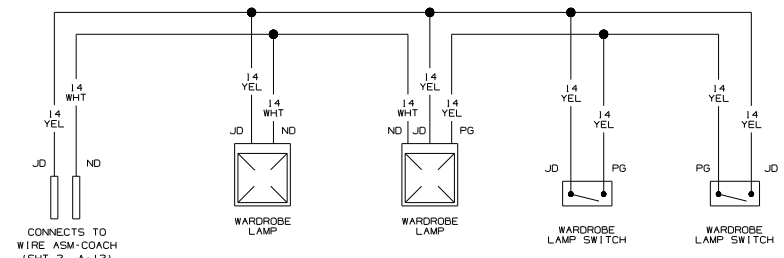
WIRING DIAGRAM-SIDEWALL,RIGHT
(WIRE ASM 139265)

NOTES:
1 SEE MANUFACTURER'S DIAGRAM FOR ADDITIONAL INFORMATION.

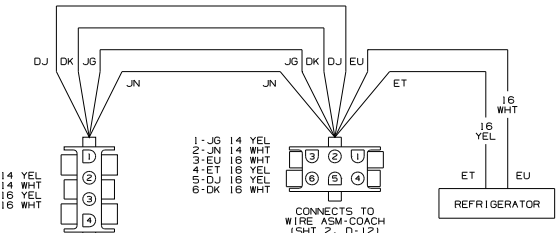
FIRST USED	02 P32T/TD	
TITLE:	DO NOT SCALE DRAWING	
	WIRING DIAGRAM-BODY,12V	
SHEET 4	PART NO	139180



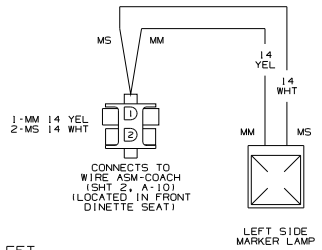
WIRING DIAGRAM-REAR STEREO (WIRE ASM 124336-01)



WIRING DIAGRAM-SLIDEOUT, REAR (WIRE ASM 137456)

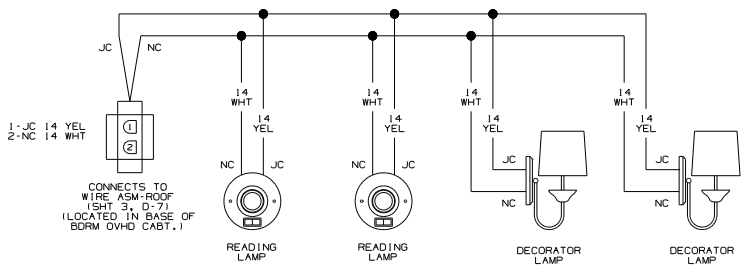


WIRING DIAGRAM-SIDEWALL, LEFT (WIRE ASM 139278-01)

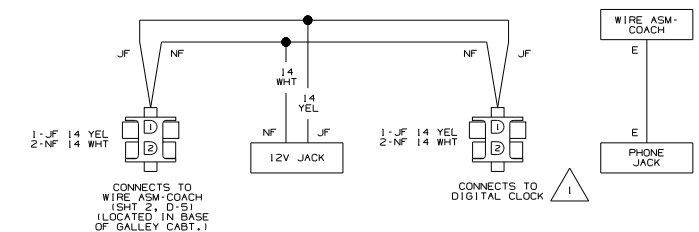


NOTES:
1 SEE MANUFACTURER'S DIAGRAM FOR ADDITIONAL INFORMATION.

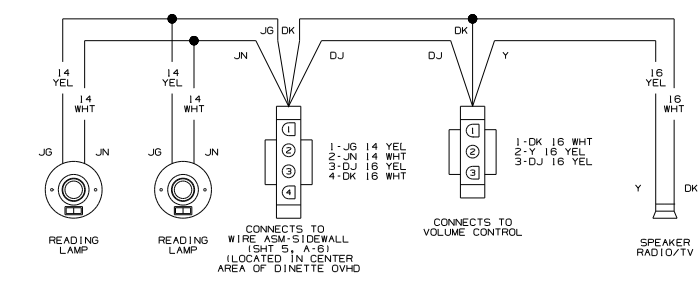
FIRST USED	02 P32T/TD	
TITLE:	DO NOT SCALE DRAWING	
	WIRING DIAGRAM-BODY, 12V	
SHEET	5	PART NO 139180



WIRING DIAGRAM-OVHD
(WIRE ASM 133231-021)

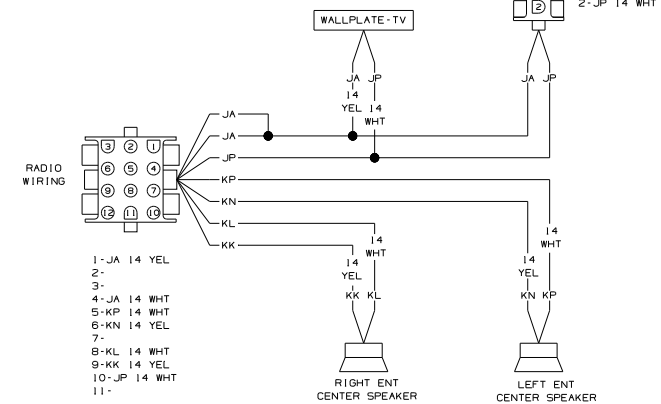


WIRING DIAGRAM-SIDEWALL, RR
(WIRE ASM 134061-041)

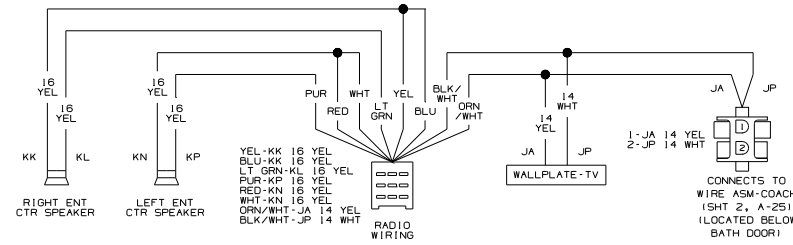


WIRING DIAGRAM-OVHD, LEFT
(WIRE ASM 132424-051)

NOTES:
1 SEE MANUFACTURER'S DIAGRAM FOR ADDITIONAL INFORMATION.

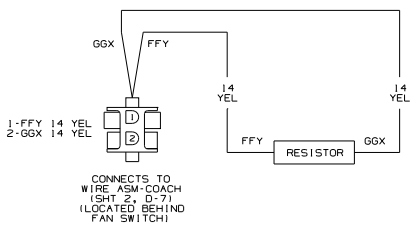


WIRING DIAGRAM-ENTERTAINMENT CENTER
(WIRE ASM 125853-021)



WIRING DIAGRAM-ENTERTAINMENT CENTER
(WIRE ASM 125853-011)

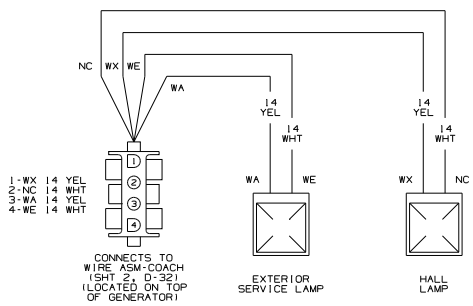
FIRST USED	02 P32T/TD
TITLE:	DO NOT SCALE DRAWING
	WIRING DIAGRAM-BODY, 12V
SHEET 6	PART NO 139180



- 1-FFY 14 YEL
- 2-GGX 14 YEL

CONNECTS TO WIRE ASM-COACH (SHT 2, D-7) (LOCATED BEHIND FAN SWITCH)

WIRING DIAGRAM-RESISTOR, FAN (WIRE ASM 140195)

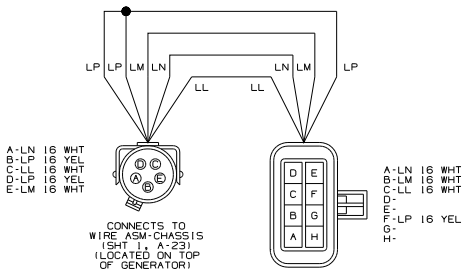


- 1-WX 14 YEL
- 2-NC 14 WHT
- 3-WA 14 YEL
- 4-WE 14 WHT

CONNECTS TO WIRE ASM-COACH (SHT 2, D-32) (LOCATED ON TOP OF GENERATOR)

EXTERIOR SERVICE LAMP
HALL LAMP

WIRING DIAGRAM-SIDEWALL, LEFT (WIRE ASM 137099)



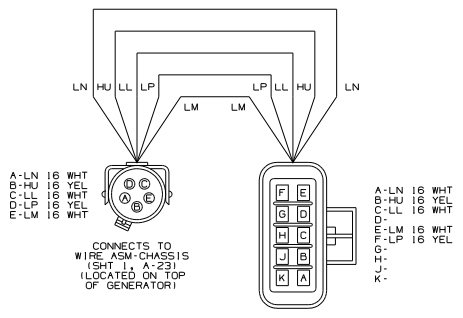
- A-LN 16 WHT
- B-HU 16 YEL
- C-LL 16 WHT
- D-LP 16 YEL
- E-LM 16 WHT

CONNECTS TO WIRE ASM-CHASSIS (SHT 1, A-23) (LOCATED ON TOP OF GENERATOR)

- A-LN 16 WHT
- B-HU 16 YEL
- C-LL 16 WHT
- D-LP 16 YEL
- E-LM 16 WHT
- F-LP 16 YEL
- G-H
- H-

CONNECTS TO GENERATOR

WIRING DIAGRAM-GEN, ADAPTER, LP (WIRE ASM 130332-01)



- A-LN 16 WHT
- B-HU 16 YEL
- C-LL 16 WHT
- D-LP 16 YEL
- E-LM 16 WHT

CONNECTS TO WIRE ASM-CHASSIS (SHT 1, A-23) (LOCATED ON TOP OF GENERATOR)

- A-LN 16 WHT
- B-HU 16 YEL
- C-LL 16 WHT
- D-LP 16 YEL
- E-LM 16 WHT
- F-LM
- G-LM
- H-LN
- I-LN
- J-LN
- K-LN

CONNECTS TO GENERATOR

WIRING DIAGRAM-GEN, ADAPTER, LP (WIRE ASM 130332-02)

FIRST USED	02 P32T/TD	
TITLE:	DO NOT SCALE DRAWING	
SHEET	7	PART NO 139180