



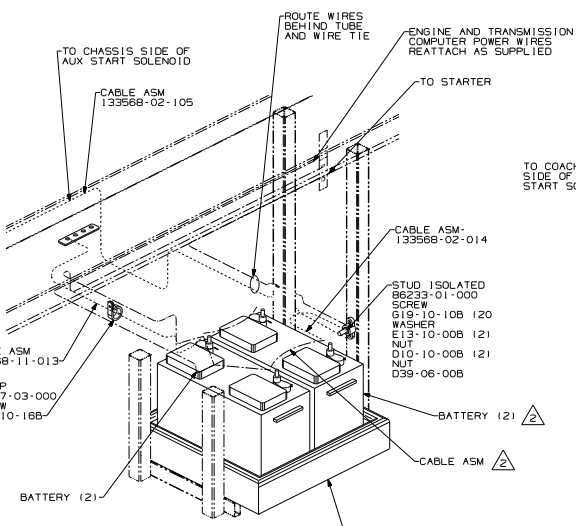
DANGER

Danger of electrical shock, burns or death. Always remove all power sources before attempting any repair, service or diagnostic work. Power can be present from shore power, generator, inverter or battery. All power sources must be disabled and secured before performing any service.

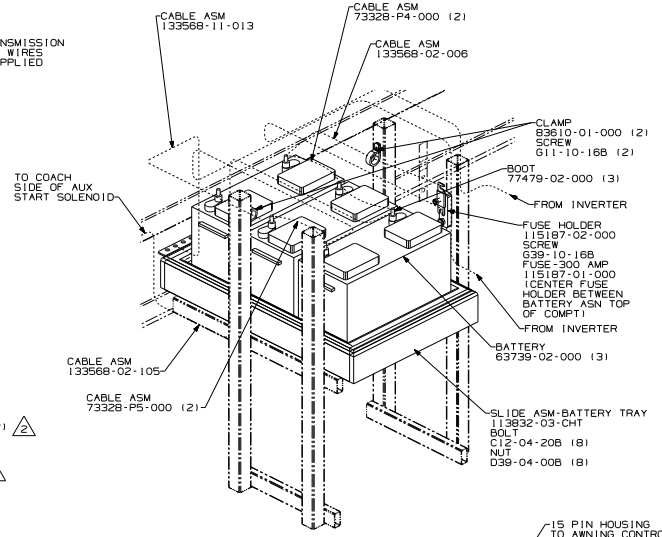


CAUTION

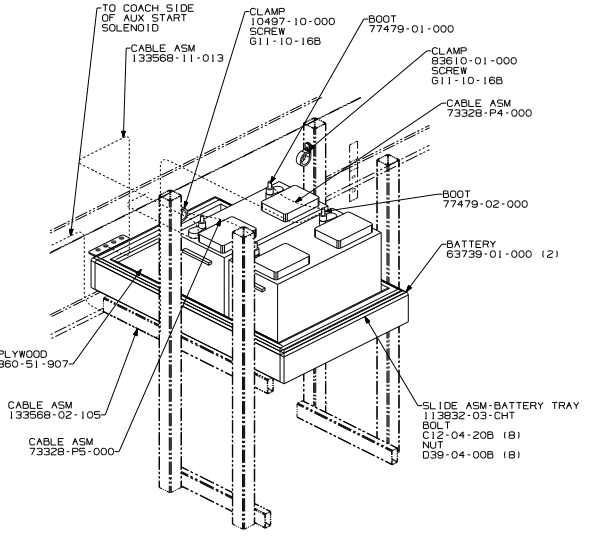
If you lack the skills, tools or equipment to perform diagnostic or repair work leave such work to an authorized Winnebago Industries dealer or other qualified shop.



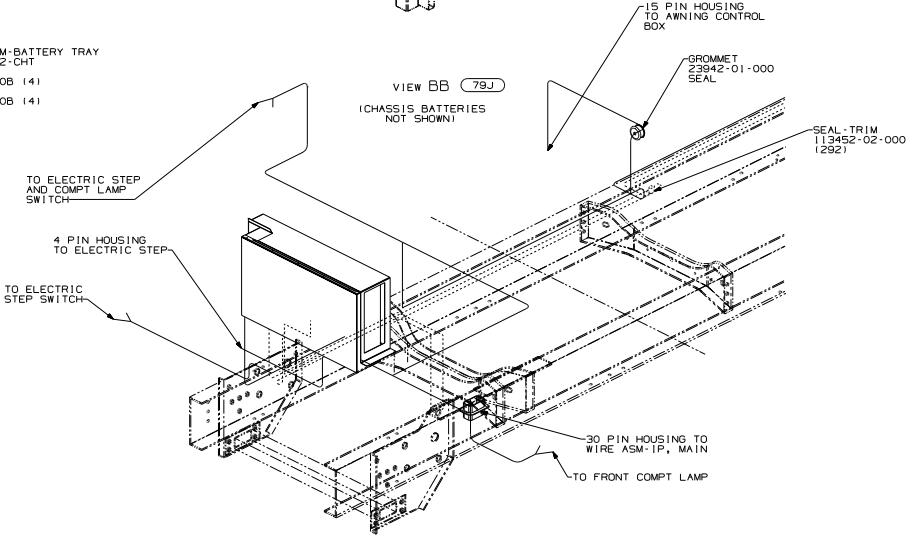
VIEW BB
(COACH BATTERIES NOT SHOWN)



VIEW BB (79J)
(CHASSIS BATTERIES NOT SHOWN)



VIEW BB (22W)
(CHASSIS BATTERIES NOT SHOWN)



DETAIL BA

▲ SUPPLIED WITH CHASSIS
 1 CLAMP WIRES TO TUBE WITH ENOUGH SLACK TO PULL BATTERY TRAY OUT 20 INCHES

(79J) INVERTER/CHARGER-1,500 WATT
 (22W) BATTERY-SECOND

PART ORG		02 P32T/TD	
DO NOT SCALE DRAWING			
TITLE: WIRING INSTL-CHASSIS			
SHEET 2	2	PART NO	139179