



**DANGER**

**Danger of electrical shock, burns or death.** Always remove all power sources before attempting any repair, service or diagnostic work. Power can be present from shore power, generator, inverter or battery. All power sources must be disabled and secured before performing any service.



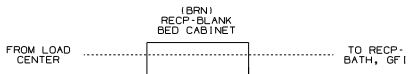
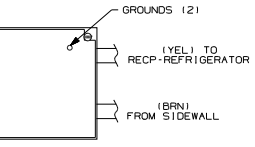
**CAUTION**

If you lack the skills, tools or equipment to perform diagnostic or repair work leave such work to an authorized Winnebago Industries dealer or other qualified shop.



- BOX 8289-01-000
- SCREW 511-08-12B (2)
- COVER 8294-01-000
- CONNECTOR 8356-01-000 (4)
- WIRE 133678-01-000 (2)
- CONNECTOR 8314-01-0000 (3)
- SCREW-GROUND GREEN 103291-01-000

- YEL BLK (2)
- WHT (2) FROM 4X4 BOX
- GRN (3) (SEE DETAIL AB)
- BRN BLK (2)
- WHT (2) FROM 4X4 BOX
- GRN (3) (SEE DETAIL AB)



- DETAIL BC
- 136131-03-070 14-UL (BRN)
- 136134-03-070 14-CA (BRN)

SP-04

RCP-2 (BRN) SDW DINETTE

RCP-2 (BRN) DINETTE OVHD

RECP-3 (YEL-2) REFRIGERATOR

RCP-B DET BC BED CABT

SP-04 RCP-2 (PUR) BDRM LH RR

RCP-B (PUR) NIGHTSTAND

LOAD CENTER/ATS 137998-01-000

4X4 BOX (SEE DETAIL BB)

3. ROUTE WIRE IN SIDEWALL DURING INSTALLATION.
2. ALL WIRES ARE TO BE CLAMPED 10497-05-000 WITHIN 200 OF OUTLET BOXES AND SPLICES. USE SCREW 667-10-12B.
1. ALL WIRES TO BE CLAMPED WITH CLAMP 10495-01-000 OR CLIP 80234-02-000 EVERY 700. USE SCREW 667-10-12B UNLESS OTHERWISE SPECIFIED.

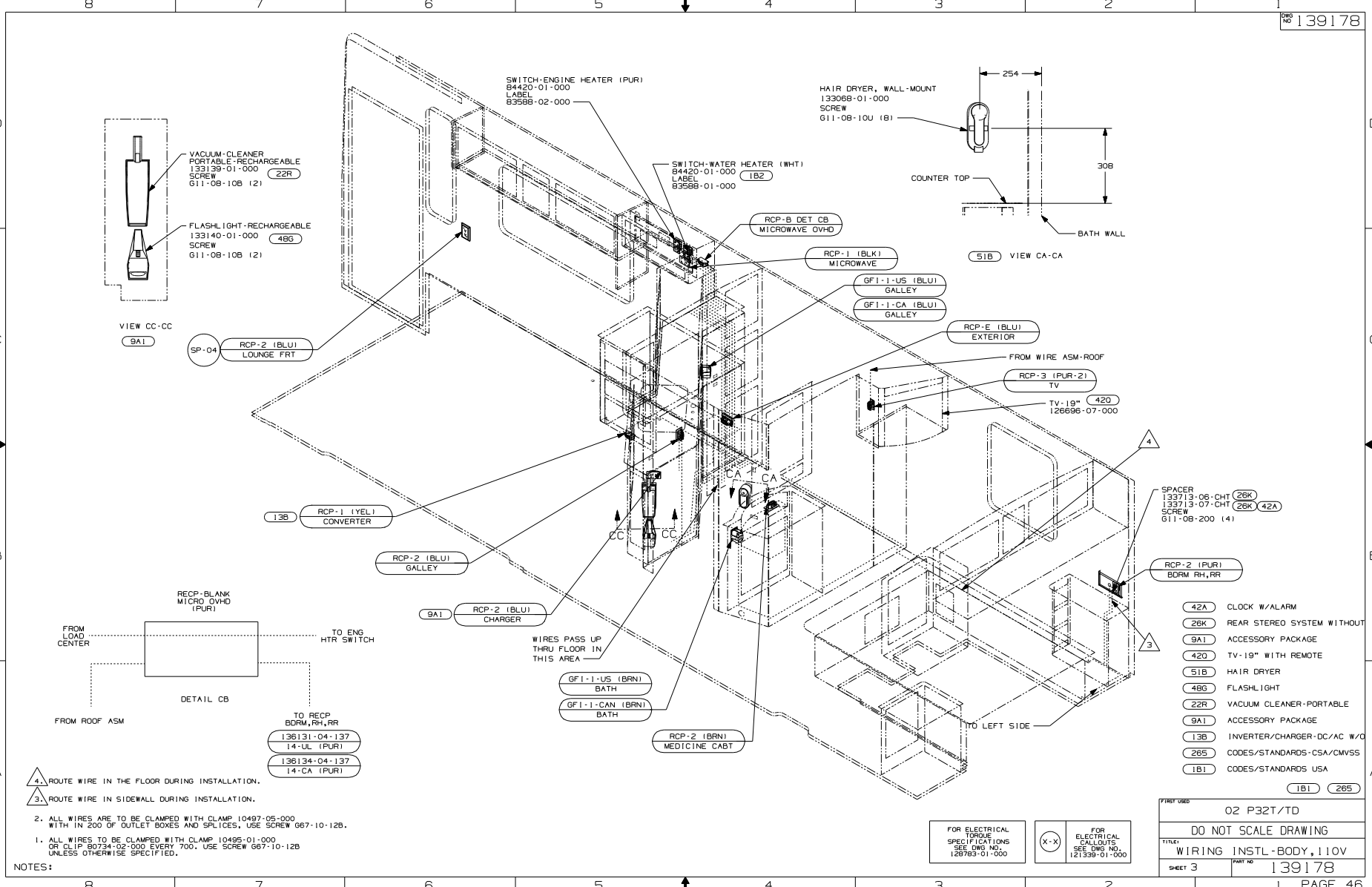
- 78J ELECTRICAL SYSTEM-50 AMP
- 12D ELECTRICAL SYSTEM 30 AMP
- 1B2 WTR HTR-10GAL/ELEC/LP/MTRA 10
- 265 CODES/STANDARDS-CSA/CMVSS
- 1B1 CODES/STANDARDS USA

1B1 265

FOR ELECTRICAL TORQUE SPECIFICATIONS SEE DWG NO. 126783-01-000

FOR ELECTRICAL CALLOUTS SEE DWG NO. 121339-01-000

FIRST USED	
02 P32T/TD	
DO NOT SCALE DRAWING	
TITLE: WIRING INSTL-BODY,110V	
SHEET 2	PART NO 139178



- (42A) CLOCK W/ALARM
- (26K) REAR STEREO SYSTEM WITHOUT
- (9A1) ACCESSORY PACKAGE
- (420) TV-19" WITH REMOTE
- (51B) HAIR DRYER
- (49G) FLASHLIGHT
- (22R) VACUUM CLEANER-PORTABLE
- (9A1) ACCESSORY PACKAGE
- (13B) INVERTER/CHARGER-DC/AC W/O
- (285) CODES/STANDARDS-CSA/CMVSS
- (81B) CODES/STANDARDS-USA
- (26K) REAR STEREO SYSTEM WITHOUT
- (42A) CLOCK W/ALARM
- (420) TV-19" WITH REMOTE
- (51B) HAIR DRYER
- (49G) FLASHLIGHT
- (22R) VACUUM CLEANER-PORTABLE
- (9A1) ACCESSORY PACKAGE
- (13B) INVERTER/CHARGER-DC/AC W/O
- (285) CODES/STANDARDS-CSA/CMVSS
- (81B) CODES/STANDARDS-USA

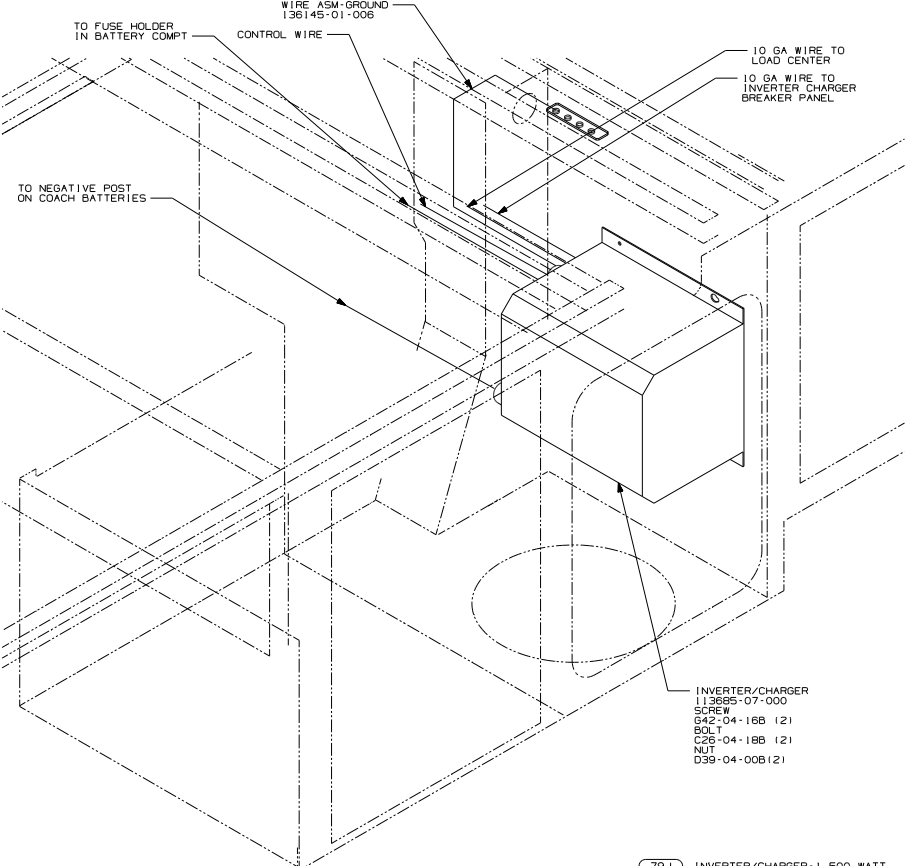
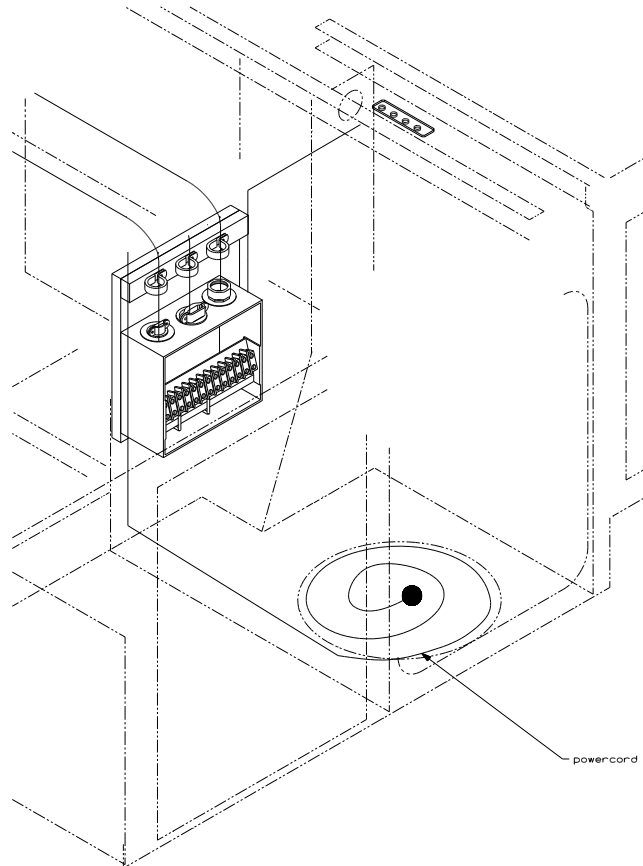
4. ROUTE WIRE IN THE FLOOR DURING INSTALLATION.
3. ROUTE WIRE IN SIDEWALL DURING INSTALLATION.
2. ALL WIRES ARE TO BE CLAMPED WITH CLAMP 10497-05-000 WITH IN 200 OF OUTLET BOXES AND SPLICES, USE SCREW 667-10-128.
1. ALL WIRES TO BE CLAMPED WITH CLAMP 10495-01-000 OR CLIP 80734-02-000 EVERY 700. USE SCREW 667-10-128 UNLESS OTHERWISE SPECIFIED.

FOR ELECTRICAL TORQUE SPECIFICATIONS SEE DWG NO. 126783-01-000

(X-X)

FOR ELECTRICAL CALLOUTS SEE DWG NO. 121339-01-000

FIRST USED	02 P32T/DT
DO NOT SCALE DRAWING	
TITLE:	WIRING INSTL-BODY
SHEET 3	PART NO 139178



- NOTES:
1. ALL WIRES TO BE CLAMPED WITHIN 200 OF BOX.
  2. GROUND WIRES NOT SHOWN FOR CLARITY.
  3. ALL 110V STRANDED WIRE W/O TERMINALS TO BE STRIPPED 10MM AND SOLDER DIPPED.

- (79J) INVERTER/CHARGER-1,500 WATT
- (78J) ELECTRICAL SYSTEM-50 AMP
- (670) GEN-7,5KW-ONAN-QUIET DIESEL
- (285) CODES/STANDARDS-CSA/CMVSS
- (1B1) CODES/STANDARDS USA

FOR ELECTRICAL TORQUE SPECIFICATIONS SEE DWG NO. 126783-01-000

(X-X) FOR ELECTRICAL CALLOUTS SEE DWG NO. 121339-01-000

FIRST USED	
02 P32T/TD	
DO NOT SCALE DRAWING	
TITLE: WIRING INSTL-BODY,110V	
SHEET 4	PART NO 139178