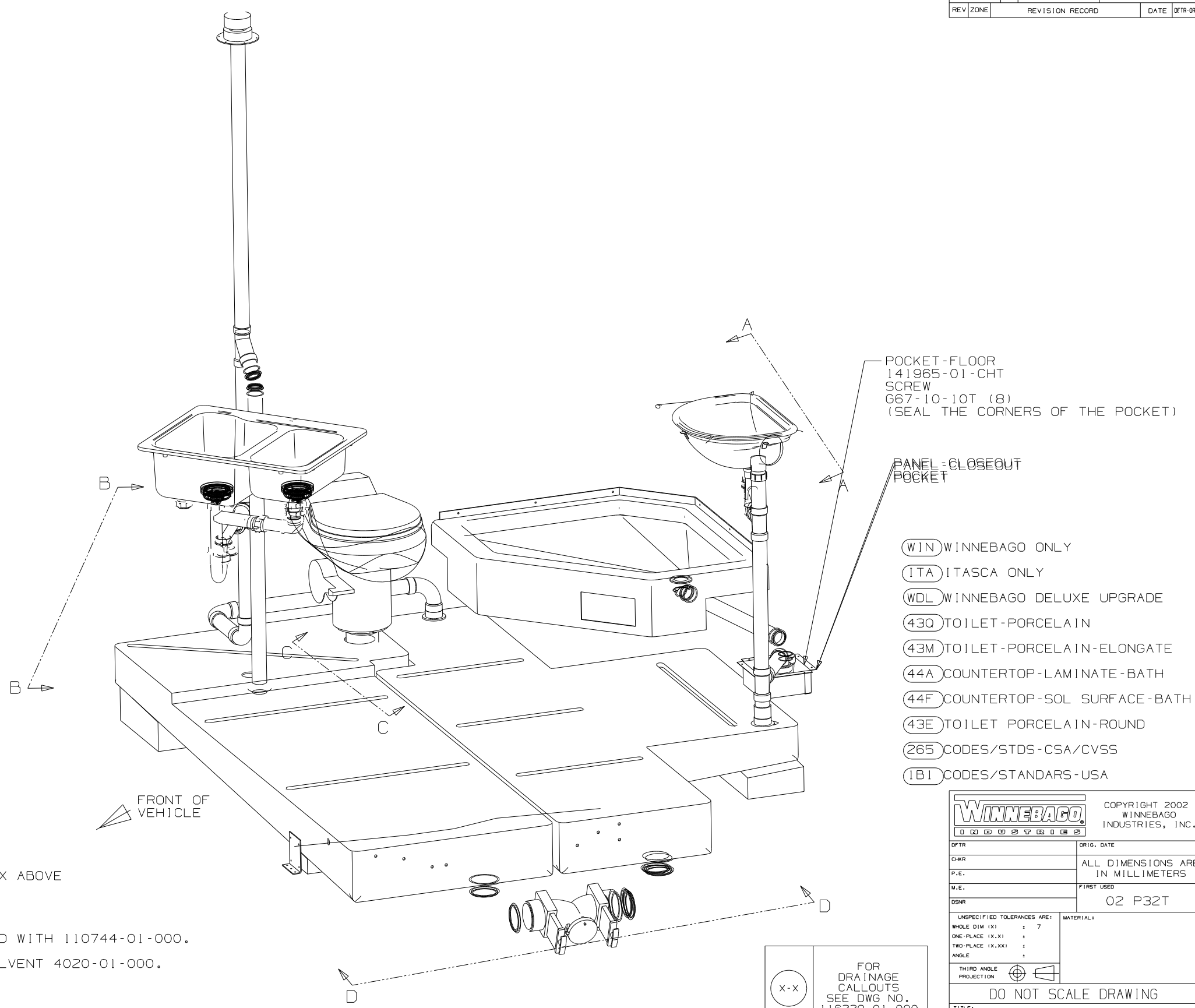


DWG NO	----
138948-01	(WIN)
138948-02	(WDL)
138948-03	(ITA)

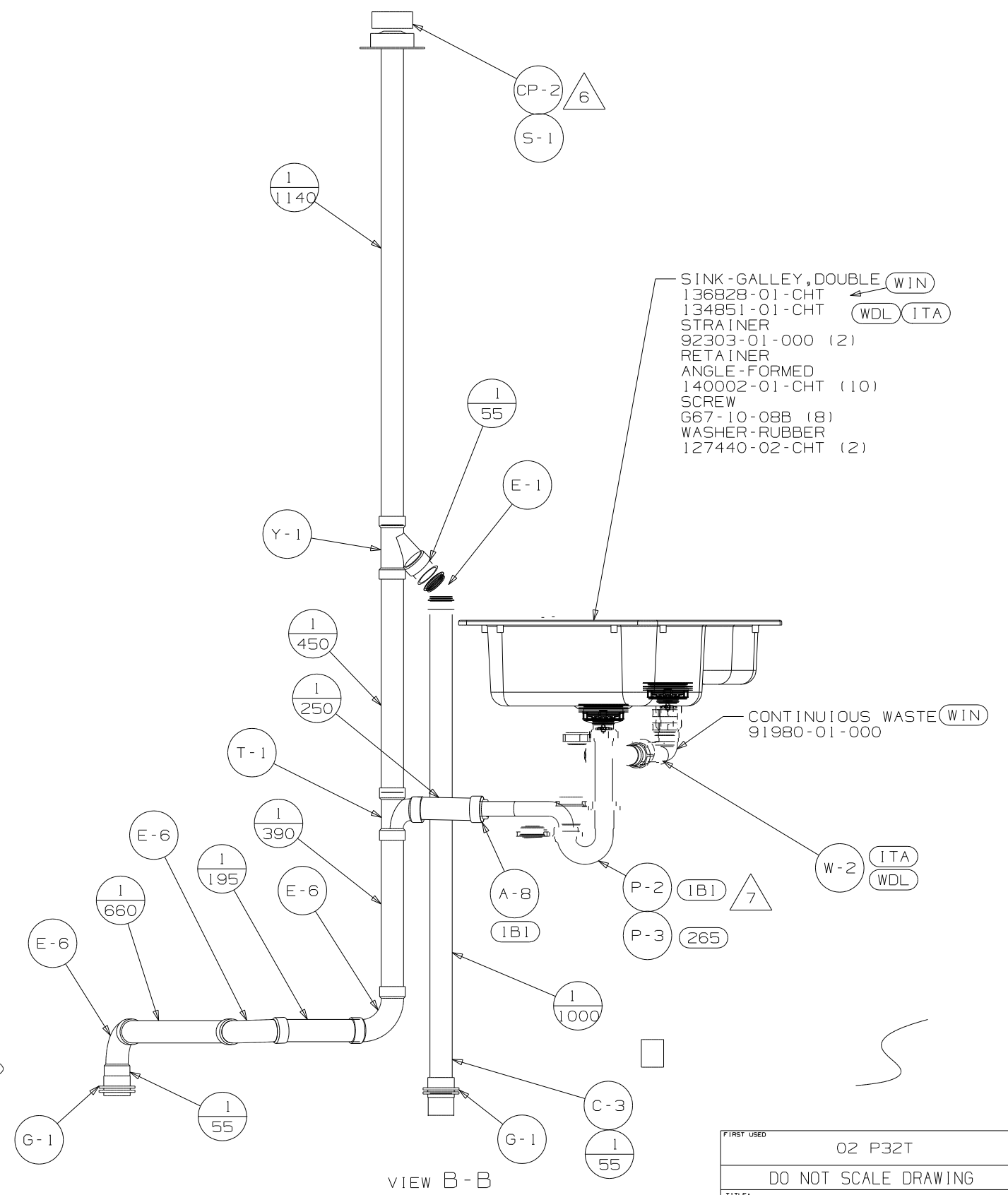
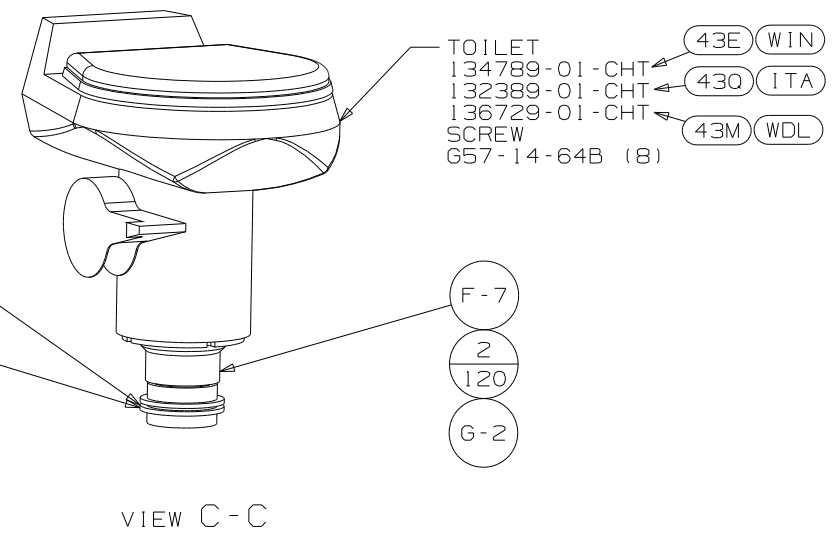
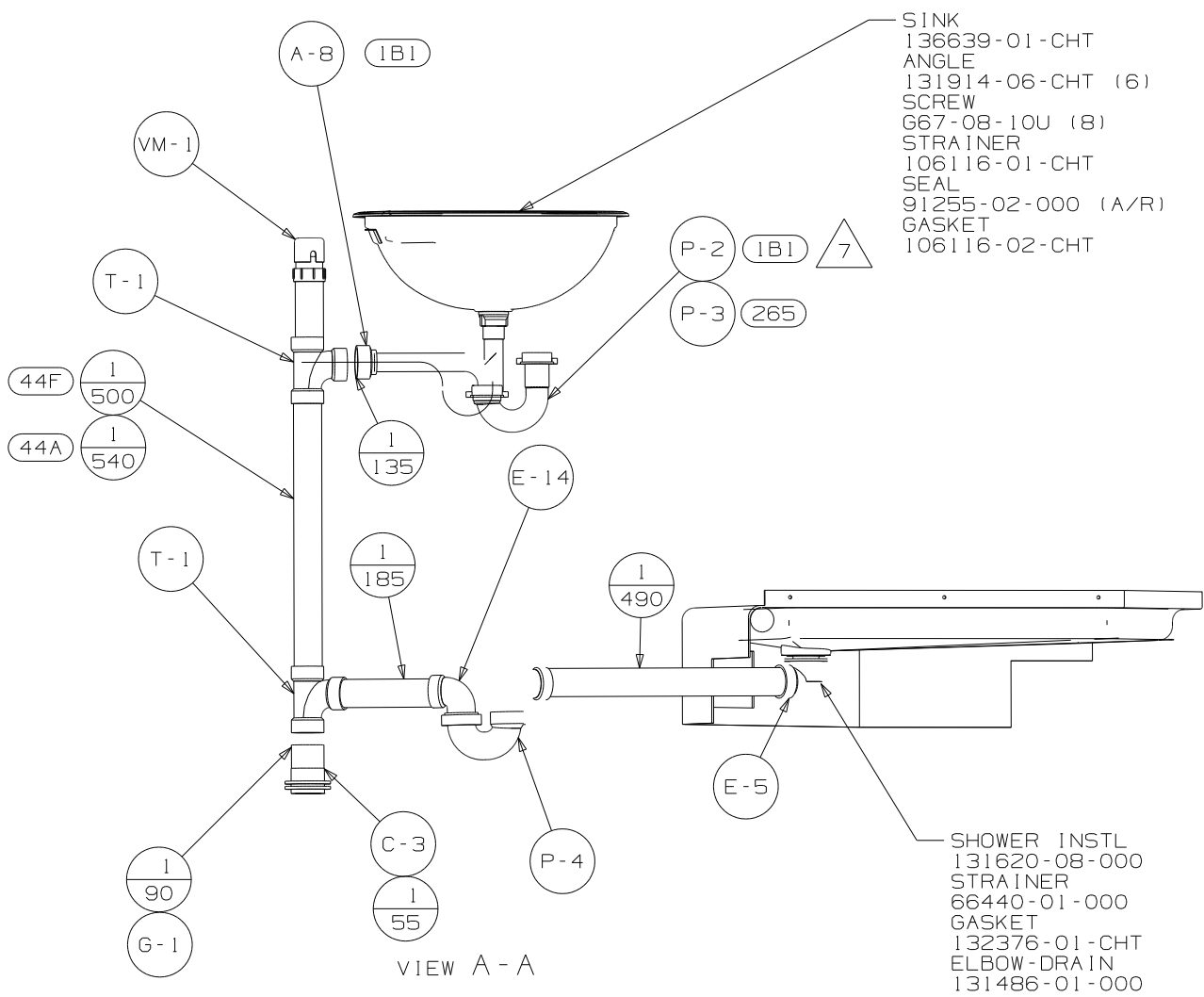
RELEASE	REV DATE	DWG NO	138948
REV ZONE	REVISION RECORD	DATE	DFTR-016



- 7 TRIM TO FIT.
- 6 VENT PIPE MUST PROJECT 51 mm MIN AND 64 mm MAX ABOVE ROOF FOR PROPER FIT.
5. SEAL AROUND SHOWER WITH SILICONE.
4. ALL EXTERIOR OPENINGS AROUND PIPE TO BE SEALED WITH 110744-01-000.
3. ALL PIPE AND FITTINGS TO BE ASSEMBLED WITH SOLVENT 4020-01-000.
2. SLOPE OF TRAP ARM MUST BE 6 PER 305 mm.
1. SLOPE OF HORIZONTAL PIPING TO BE 6 PER 305 mm.

X-X
FOR DRAINAGE CALLOUTS SEE DWG NO. 116229-01-000

WINNEBAGO		COPYRIGHT 2002 WINNEBAGO INDUSTRIES, INC.	
DFTR	ORIG. DATE	ALL DIMENSIONS ARE IN MILLIMETERS	
CHKR		FIRST USED	
P.E.		02 P32T	
M.E.		UNSPECIFIED TOLERANCES ARE:	
DSNR		MATERIAL:	
		WHOLE DIM (X)	: 7
		ONE-PLACE (X.X)	:
		TWO-PLACE (X.XX)	:
		ANGLE	:
		THIRD ANGLE PROJECTION	⊕
DO NOT SCALE DRAWING			
TITLE: DRAINAGE SYSTEM INSTL			
SHEET 1 OF 3	PART NO	138948	



FIRST USED	02 P32T
DO NOT SCALE DRAWING	
TITLE	DRAINAGE SYSTEM INSTL
SHEET 2	PART NO 138948

PLATFORM ASM
126714-25-000

TANK - HOLDING
136973-02-000

TANK - HOLDING
136950-02-000

BRACKET
94756-01-CHT (4)
SCREW
G39-10-10T (16)

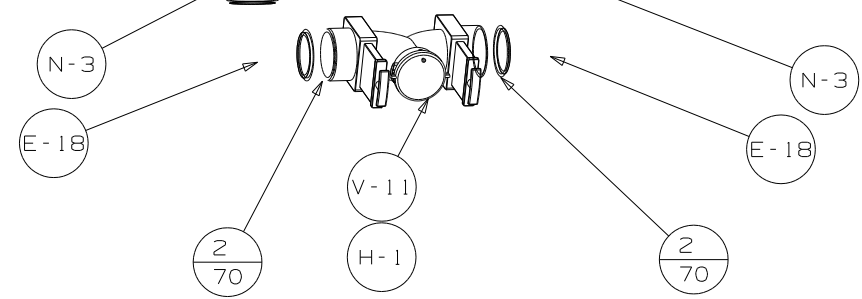
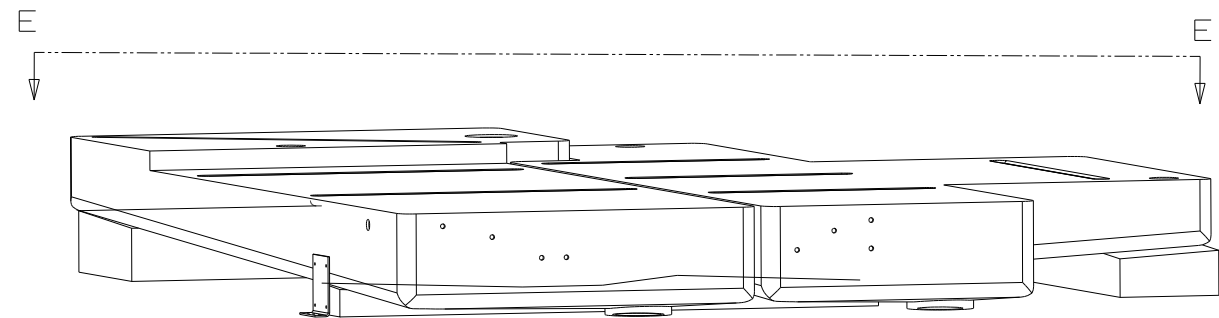
PLATFORM ASM
126714-26-000

PLATFORM ASM
126714-24-000

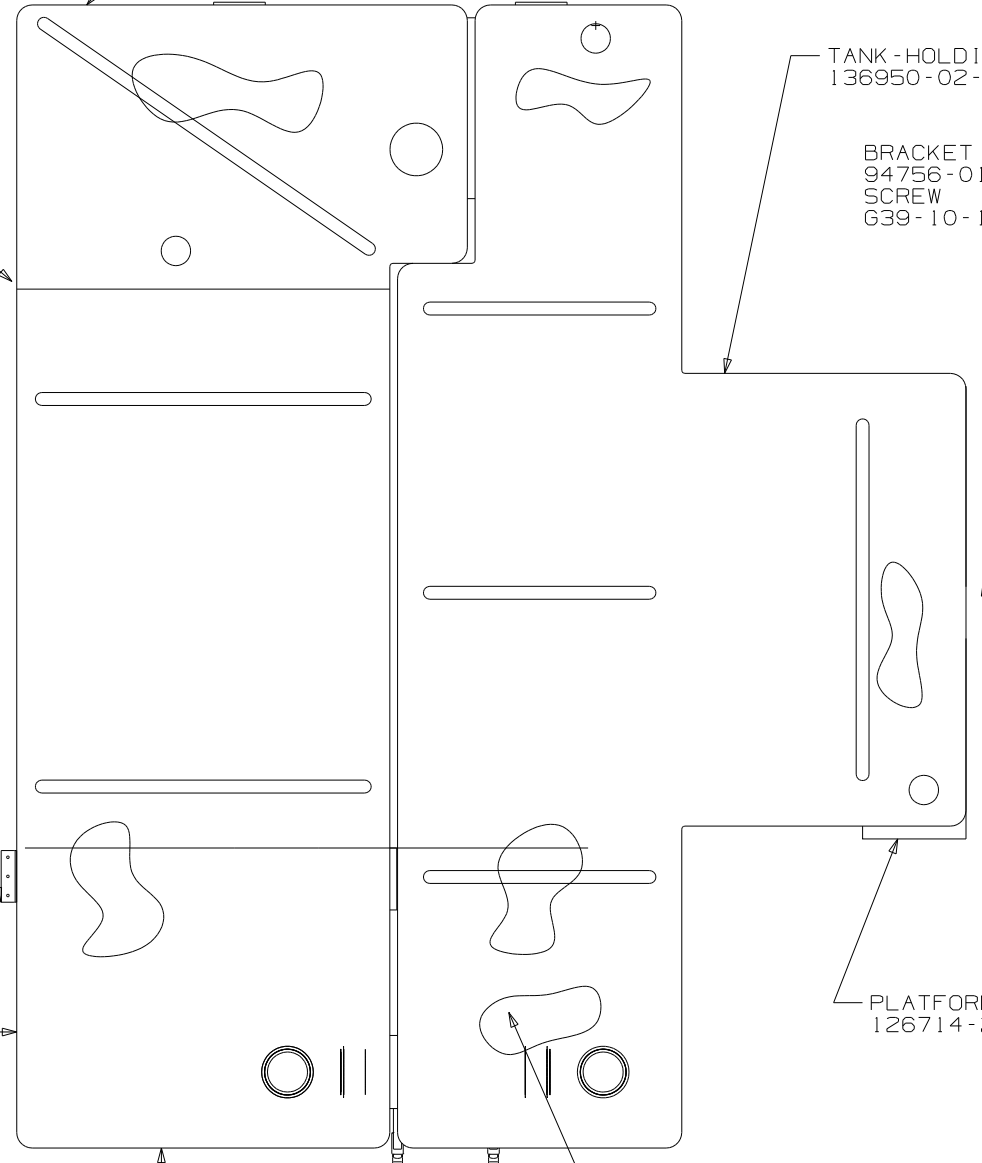
SUPPORT ASM
133839-02-CHT (2)
SCREW
G39-10-20T (2)
G39-10-12T (2)
ANGLE
132871-03-CHT (2)

3115

186



VIEW D-D

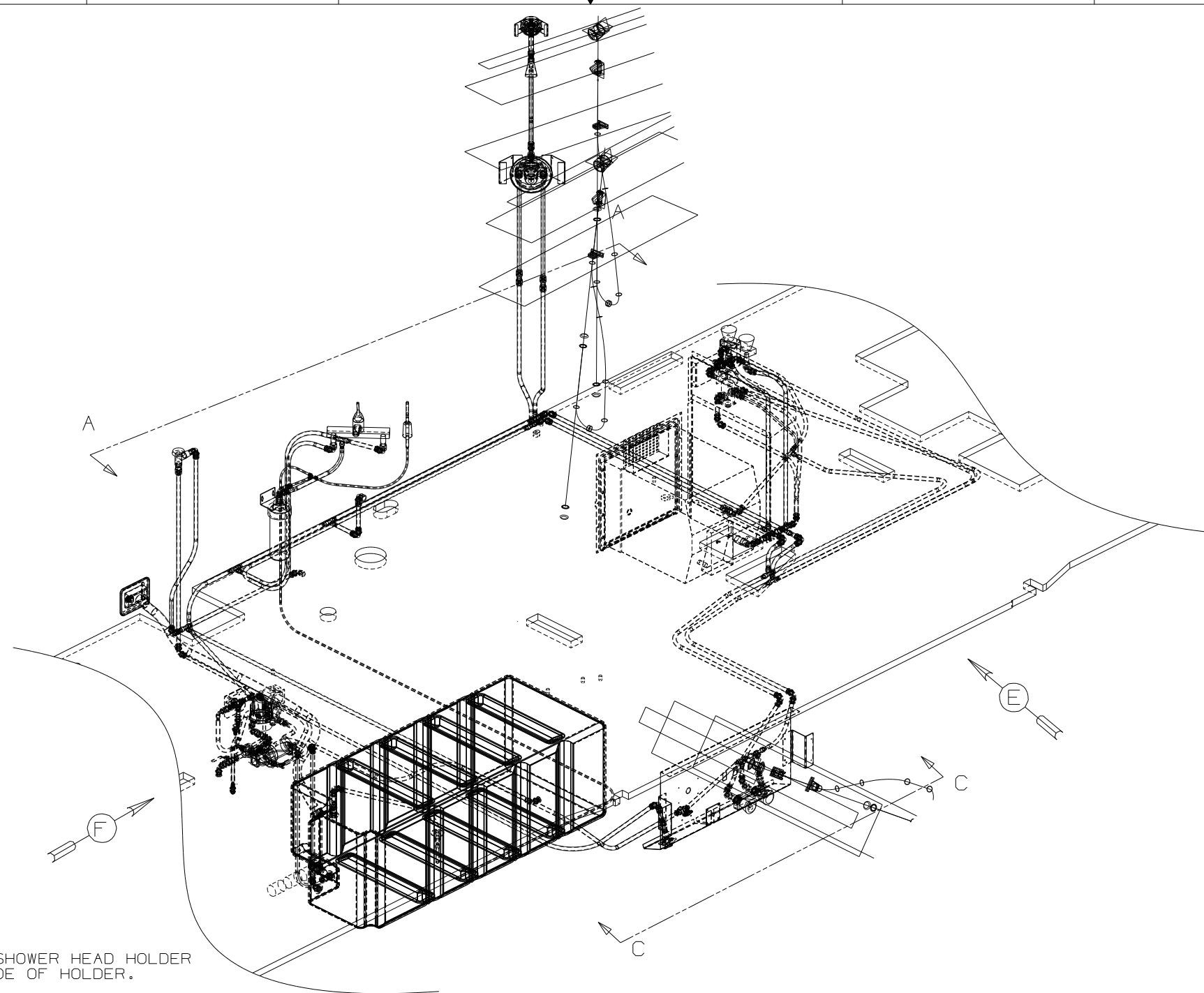


VIEW E-E

FIRST USED	02 P32T
TITLE	DO NOT SCALE DRAWING
	DRAINAGE SYSTEM INSTL
SHEET 3	PART NO 138948

DWG NO	----
138947-01	(WIN)
138947-02	(WLD) (ITA)

RELEASE	REV DATE	DWG NO	138947
REV ZONE	REVISION RECORD	DATE	DFTR-ORIG



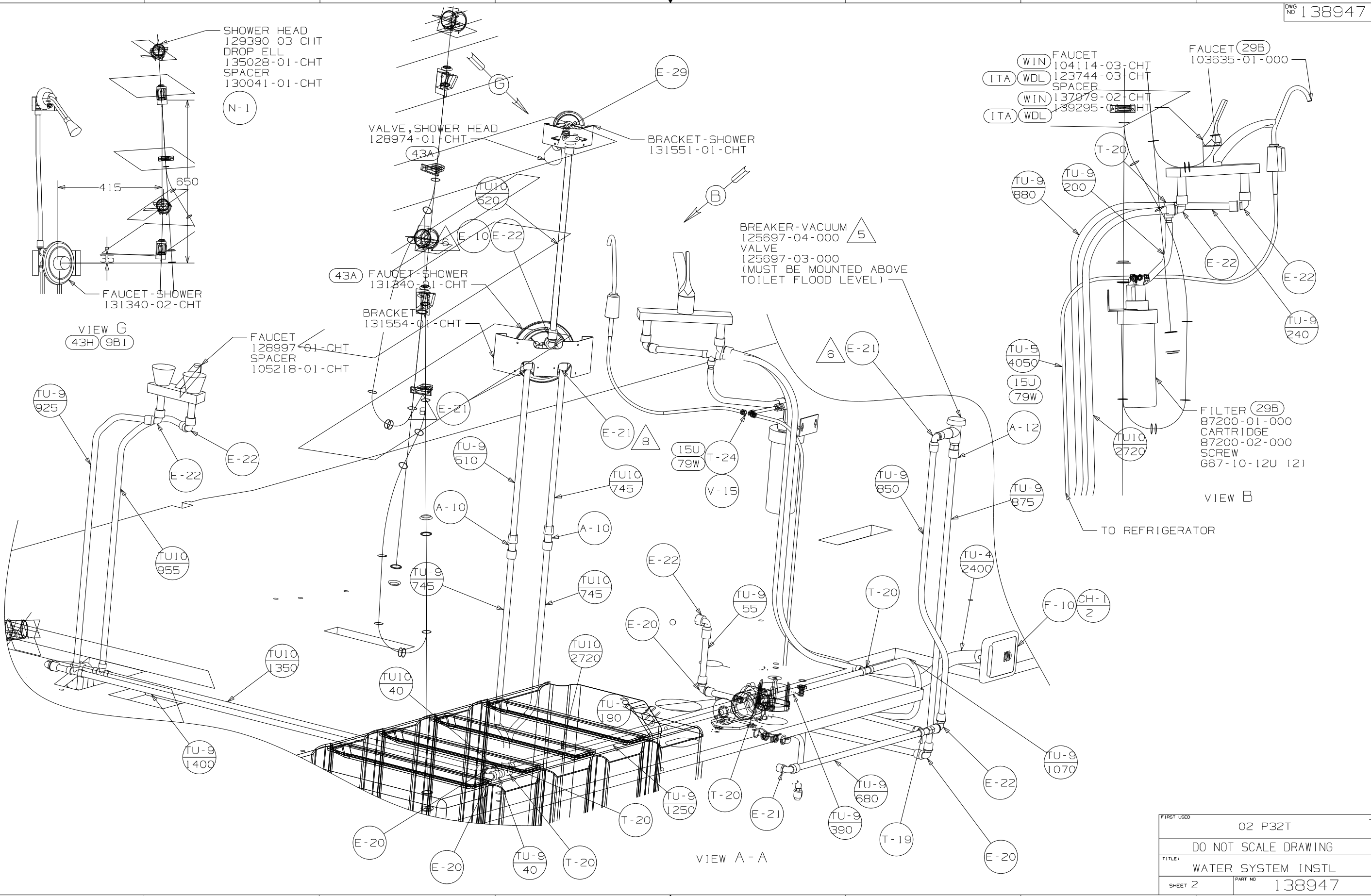
- (WIN) WINNEBAGO ONLY
- (ITA) ITASCA ONLY
- (WLD) WINNEBAGO DELUXE UPGRADE
- (53P) WINTERIZE VALVE, MANUAL
- (53Q) WINTERIZE KIT
- (43A) SHOWER HEAD-FIXED
- (43H) SHOWER HEAD-HAND HELD
- (15U) REFRIGERATOR/FRZR W/ICEMAKER
- (64R) EXTERIOR WASH STATION
- (53J) WATER HEATER BY-PASS-VALVE
- (9B1) SHOWER PACKAGE
- (29B) WATER PURIFIER

9. APPLY DECAL TO INSIDE OF UPPER SHOWER HEAD HOLDER TO RETAIN HAND SHOWER UNIT INSIDE OF HOLDER.
8. WRAP WITH TEFLON TAPE 10405-01-000 MINIMUM THREE WRAPS.
7. WRAP WITH TEFLON TAPE 10405-03-000 TO FITTINGS.
6. WRAP WITH TEFLON TAPE 10405-02-000 TO FITTINGS.
5. FLUSHING SYSTEM REQUIRES 125697-06-000 INSTRUCTION SHEET.
4. CLAMPS MUST BE ON BARBS.
3. ALL TUBING TO BE SECURED AT 1200 INTERVALS MAXIMUM WITH CLAMP 10495-01-000 OR CLIP 9151-01-000 AND SCREW 667-10-12B.
2. TUBING TO BE INSTALLED WITH SUFFICIENT SLOPE TO PROVIDE DRAINAGE TO NEAREST VALVE.
1. PLASTIC FITTINGS TO BE SEALED WITH SEALANT 84456-01-000.

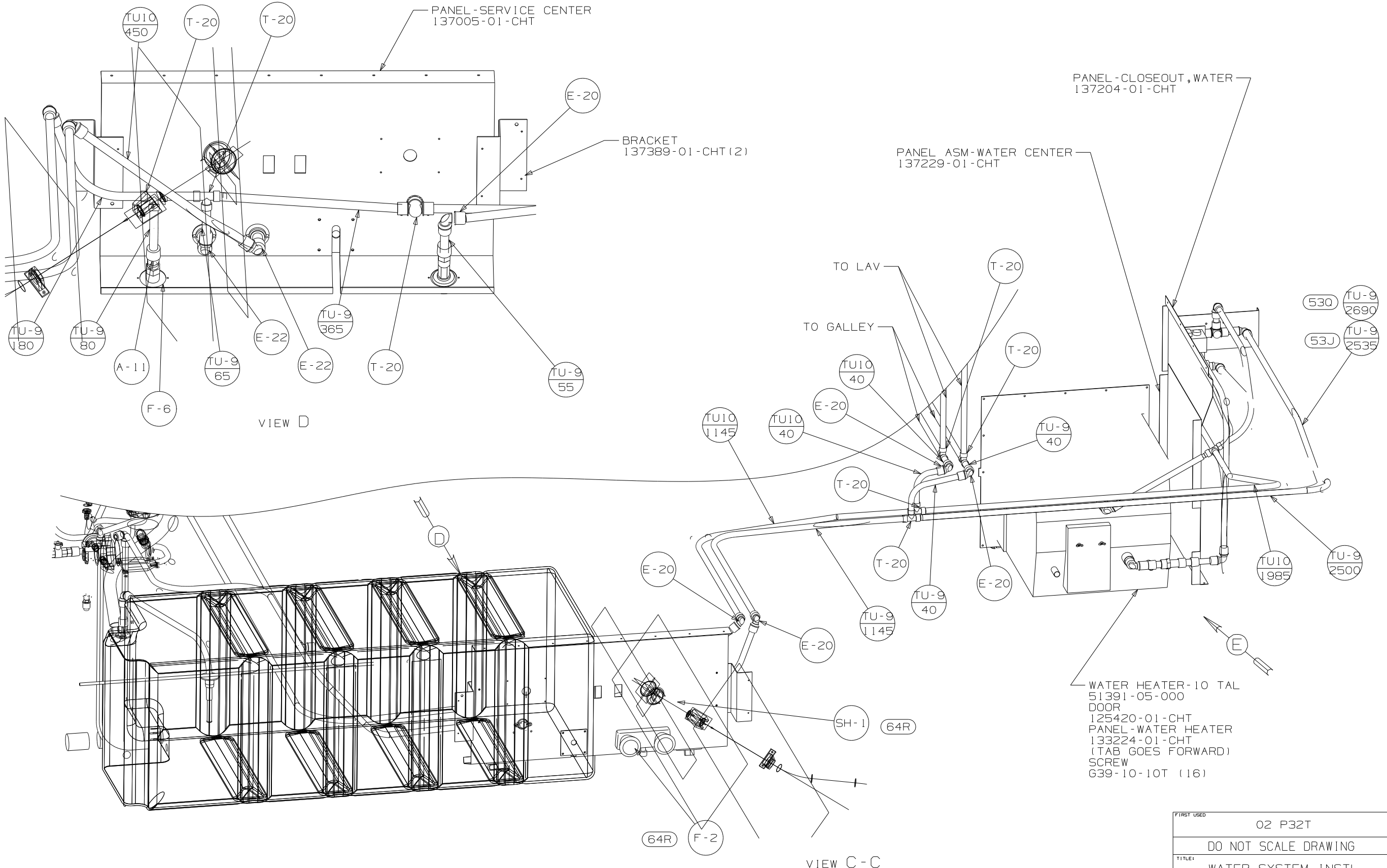
NOTES:

WINNEBAGO		COPYRIGHT 2002 WINNEBAGO INDUSTRIES, INC.	
DFTR	ORIG. DATE	ALL DIMENSIONS ARE IN MILLIMETERS	
CHKR		FIRST USED	
P.E.		02 P32T	
M.E.		UNSPECIFIED TOLERANCES ARE:	
DSNR		MATERIAL:	
		WHOLE DIM (X)	: 7
		ONE-PLACE (X.X)	:
		TWO-PLACE (X.XX)	:
		ANGLE	:
THIRD ANGLE PROJECTION		DO NOT SCALE DRAWING	
TITLE: WATER SYSTEM INSTL			
SHEET 1 OF 4		PART NO 138947	

(X-X)
FOR
WATER
CALLOUTS
SEE DWG NO
116230-01-000



FIRST USED	02 P32T
TITLE:	DO NOT SCALE DRAWING
	WATER SYSTEM INSTL
SHEET 2	PART NO 138947



VIEW D

VIEW C-C

PANEL - CLOSEOUT, WATER
137204-01-CHT

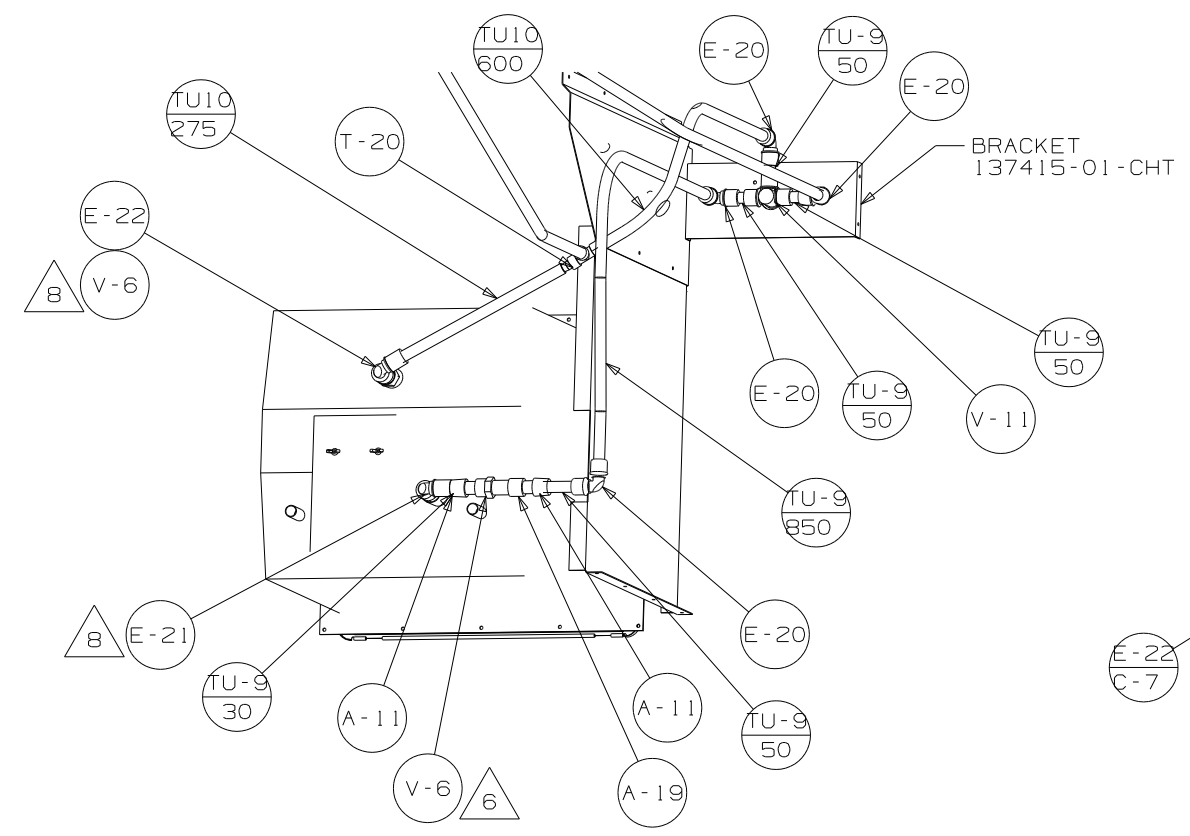
PANEL - SERVICE CENTER
137005-01-CHT

PANEL ASM-WATER CENTER
137229-01-CHT

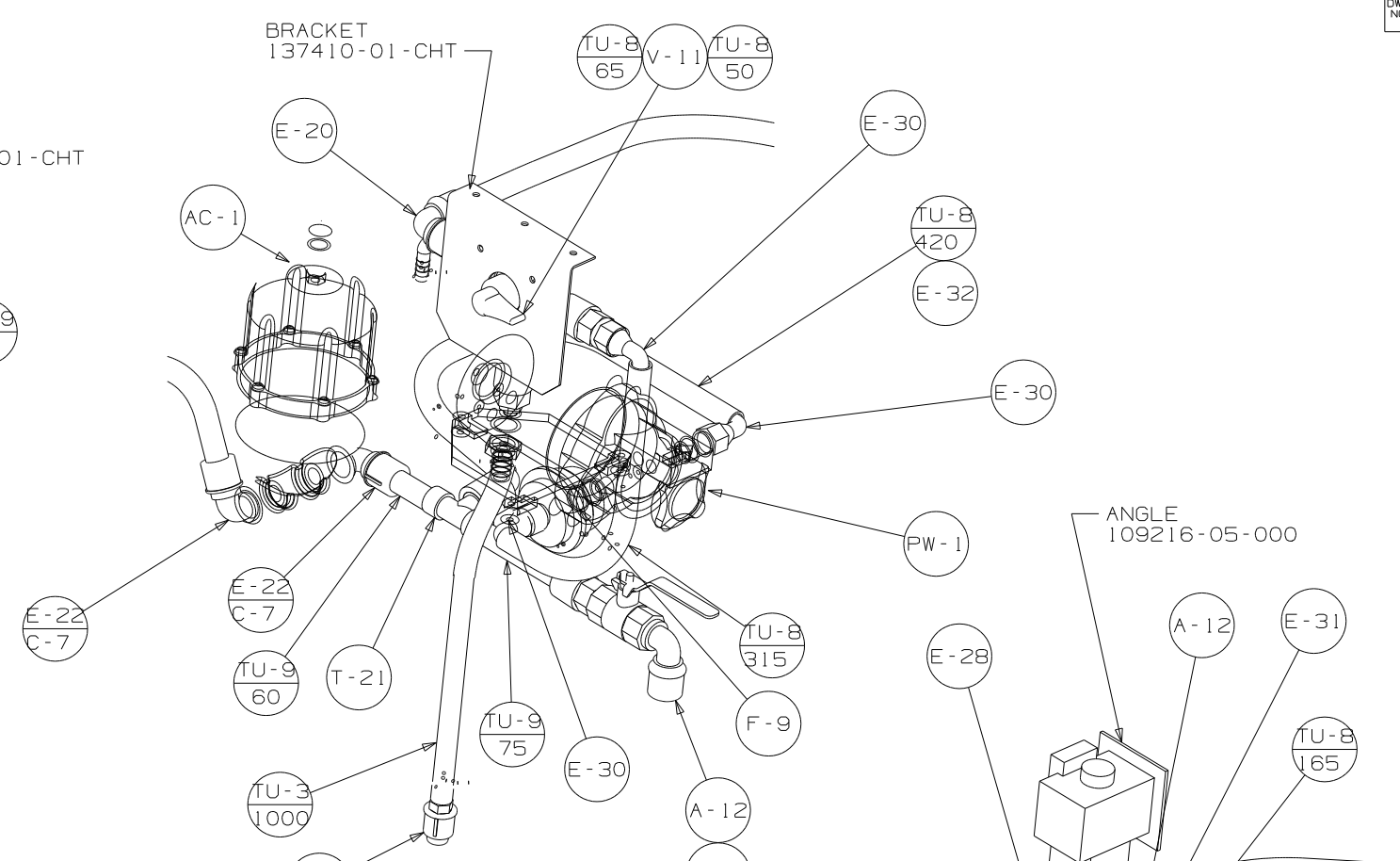
BRACKET
137389-01-CHT (2)

WATER HEATER-10 TAL
51391-05-000
DOOR
125420-01-CHT
PANEL-WATER HEATER
133224-01-CHT
(TAB GOES FORWARD)
SCREW
G39-10-10T (16)

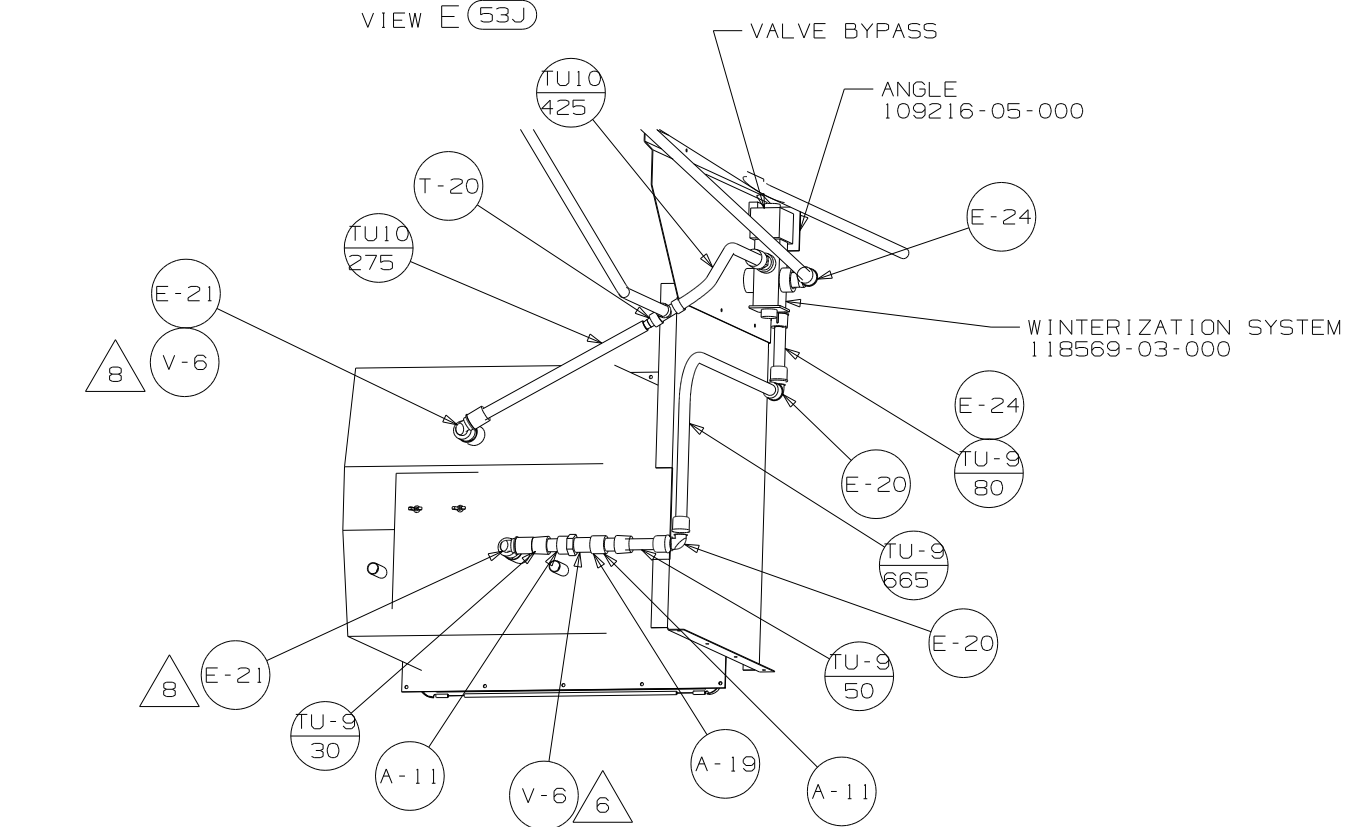
FIRST USED	02 P32T
TITLE:	DO NOT SCALE DRAWING
SHEET 3	PART NO 138947



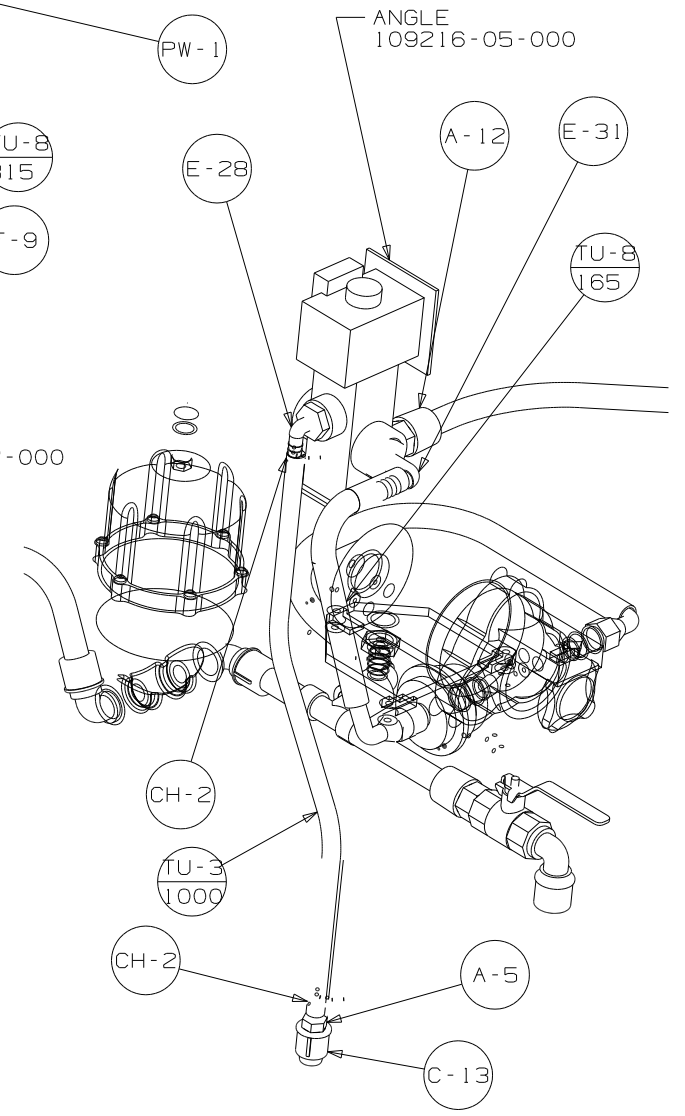
VIEW E (53J)



VIEW F (53P)



VIEW E (53Q)



VIEW F (53Q)

FIRST USED	02 P32T
TITLE	DO NOT SCALE DRAWING
TITLE	WATER SYSTEM INSTL
SHEET 4	PART NO 138947