



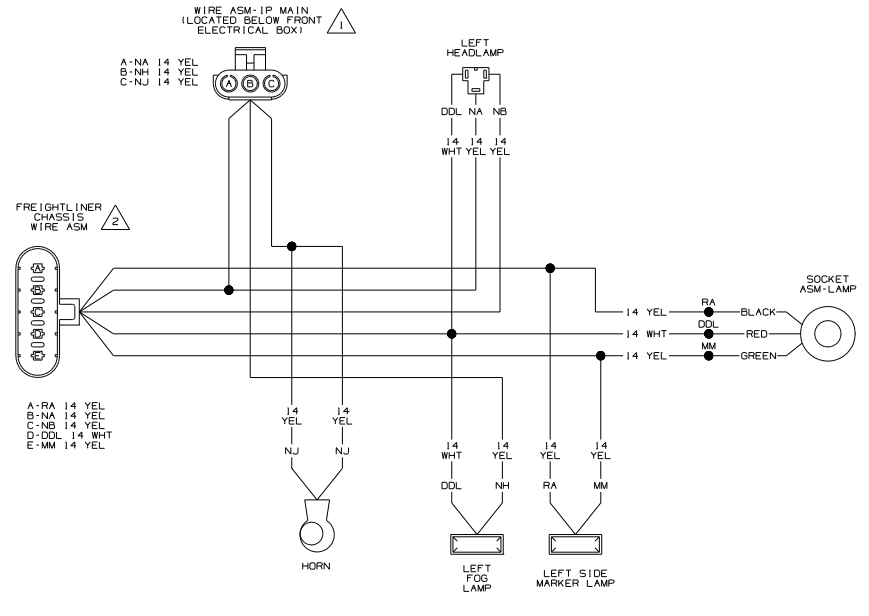
DANGER

Danger of electrical shock, burns or death. Always remove all power sources before attempting any repair, service or diagnostic work. Power can be present from shore power, generator, inverter or battery. All power sources must be disabled and secured before performing any service.

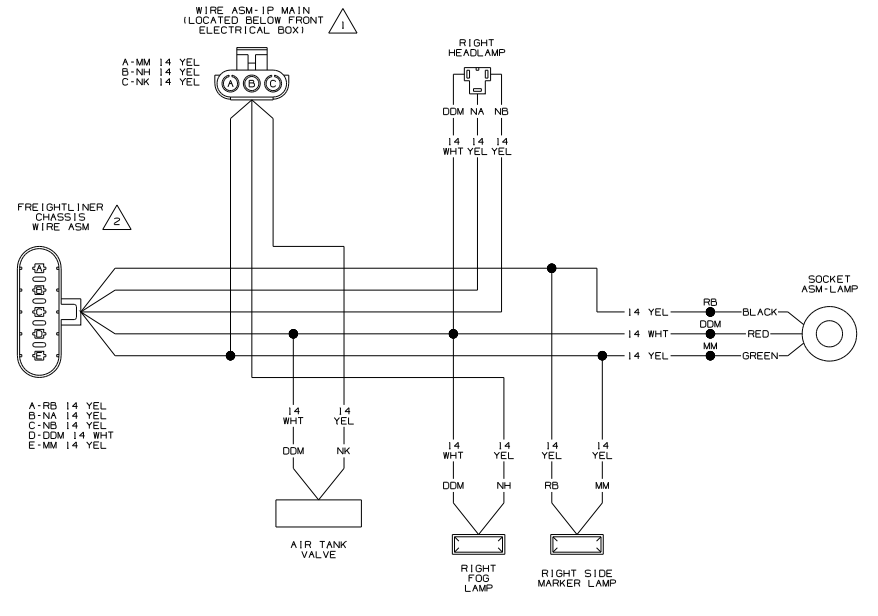


CAUTION

If you lack the skills, tools or equipment to perform diagnostic or repair work leave such work to an authorized Winnebago Industries dealer or other qualified shop.



WIRING DIAGRAM-HEADLAMP, LEFT
 (WIRE-ASM 132789-03)



WIRING DIAGRAM-HEADLAMP, RIGHT
 (WIRE-ASM 132789-04)

NOTES:
 1 SEE WIRING DIAGRAM-AUTO FOR ADDITIONAL INFORMATION.

WINNEBAGO

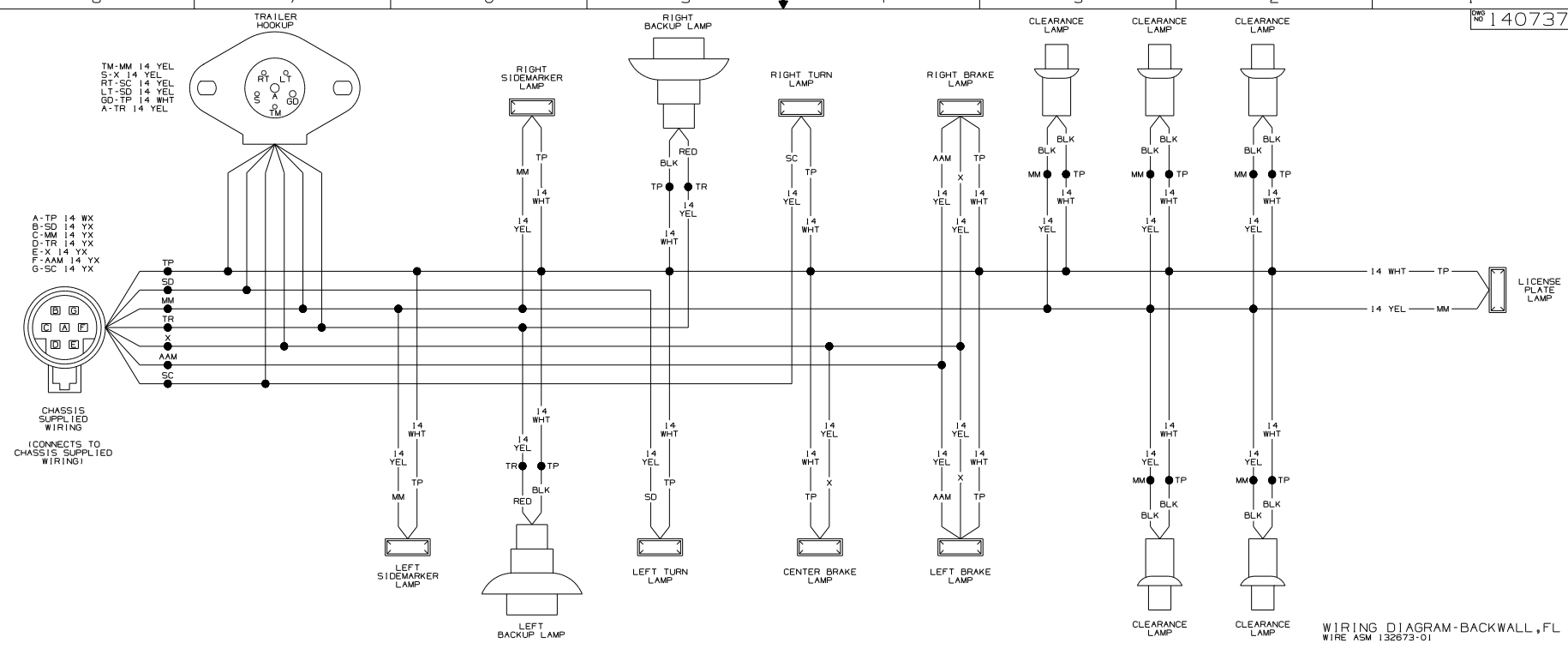
DATE 10/17/01
 DWG. ALL DIMENSIONS ARE IN MILLIMETERS
 P.E.
 V.E. FIRST USED
 DWG. 02 P-SERIES

UNSPECIFIED TOLERANCES ARE:
 HOLE DIA. +0.05
 ONE-PLACE +0.10
 TWO-PLACE +0.20
 HOLE -0.05

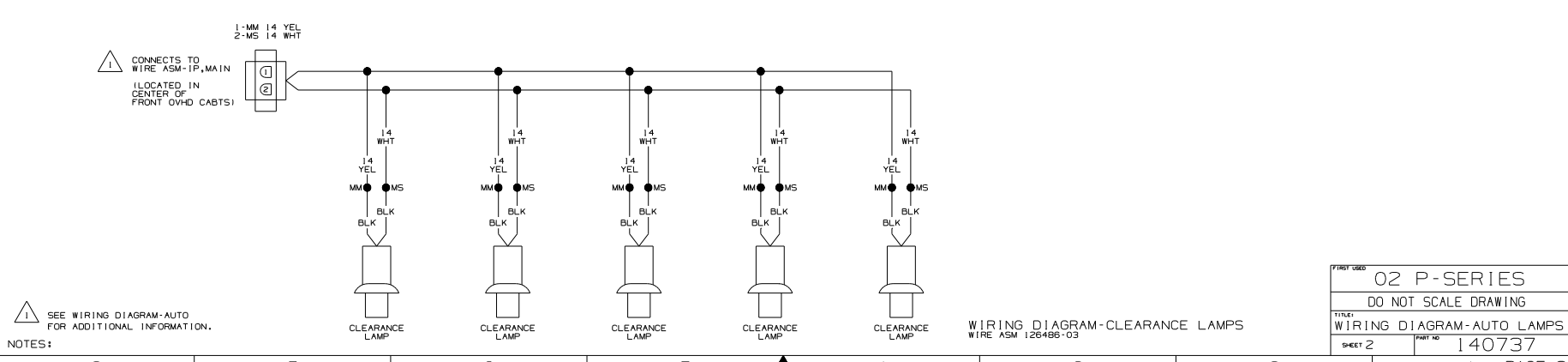
THIRD ANGLE PROJECTION

DO NOT SCALE DRAWING

TITLE: WIRING DIAGRAM-AUTO LAMPS
 SHEET 1 of 2 PART NO. 140737



WIRING DIAGRAM-BACKWALL, FL
 WIRE ASM 132673-01



WIRING DIAGRAM-CLEARANCE LAMPS
 WIRE ASM 126488-03

FIRST USED	02 P-SERIES
TITLE	DO NOT SCALE DRAWING
WIRING DIAGRAM-AUTO LAMPS	
SHEET 2	PART NO 140737